



Illustrated Parts Manual

Models **600S** **600SJ** **660SJ**

SN 0300087000
through 0300171769
SN B300000100
through B300000969

P/N
3121207

February 28, 2018

ANSI

CE



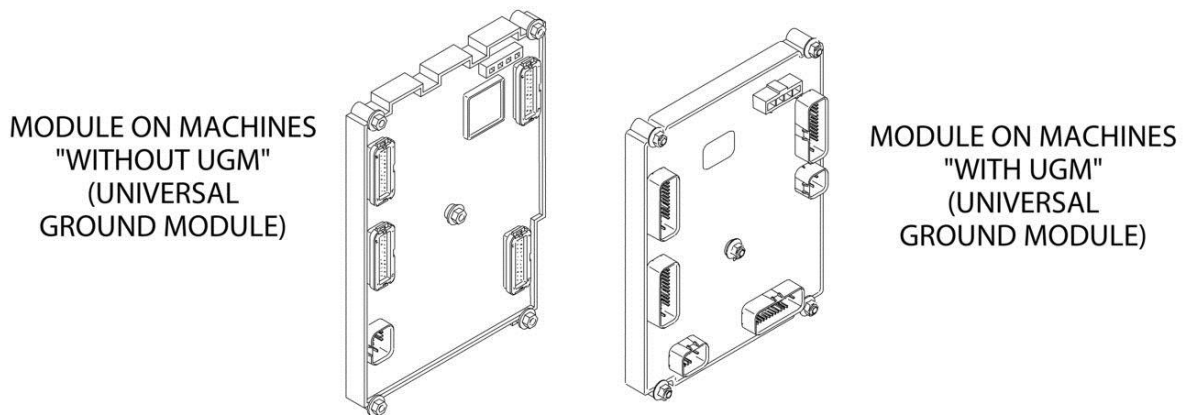
REVISION LOG

NOTES:

LOCATION OF MANUFACTURE

The 600S & 600SJ Boom Lifts are manufactured by JLG Industries in the following countries: USA and China. Refer to the Serial Number Tag to identify the country of manufacture. The country of manufacture may be determined by the Serial Number. Machines manufactured in the USA will have a serial number prefix of 03 (i.e. 03XXXXXXXX). Machines manufactured in the China will have a serial number prefix of B3 (i.e. B3XXXXXXXX).

GROUND MODULE IDENTIFICATION



NOTE: USA Built Machines with SNs 0300170082 & 0300170091 are also built to the same specs as USA Built Machines SN 0300171769 to Present - Use Parts Manual P/N 3121299.

NOTE: China Built Machines with SNs B300000869, B300000871 & B300000875 are also built to the same specs as China built Machine SN 0300000970 to Present - Use Parts Manual P/N 3121299.

MANUAL REVISION LOG:

June 10, 2005 - Original Issue Of Manual (Edited to 0010603 Revision 35)

December 9, 2005 - Revised (Edited to 0010603 Revision 45)

May 18, 2006 - Revised (Edited to 0010603 Revision 49)

August 10, 2006 - Revised (Edited to 0010603 Revision 52)

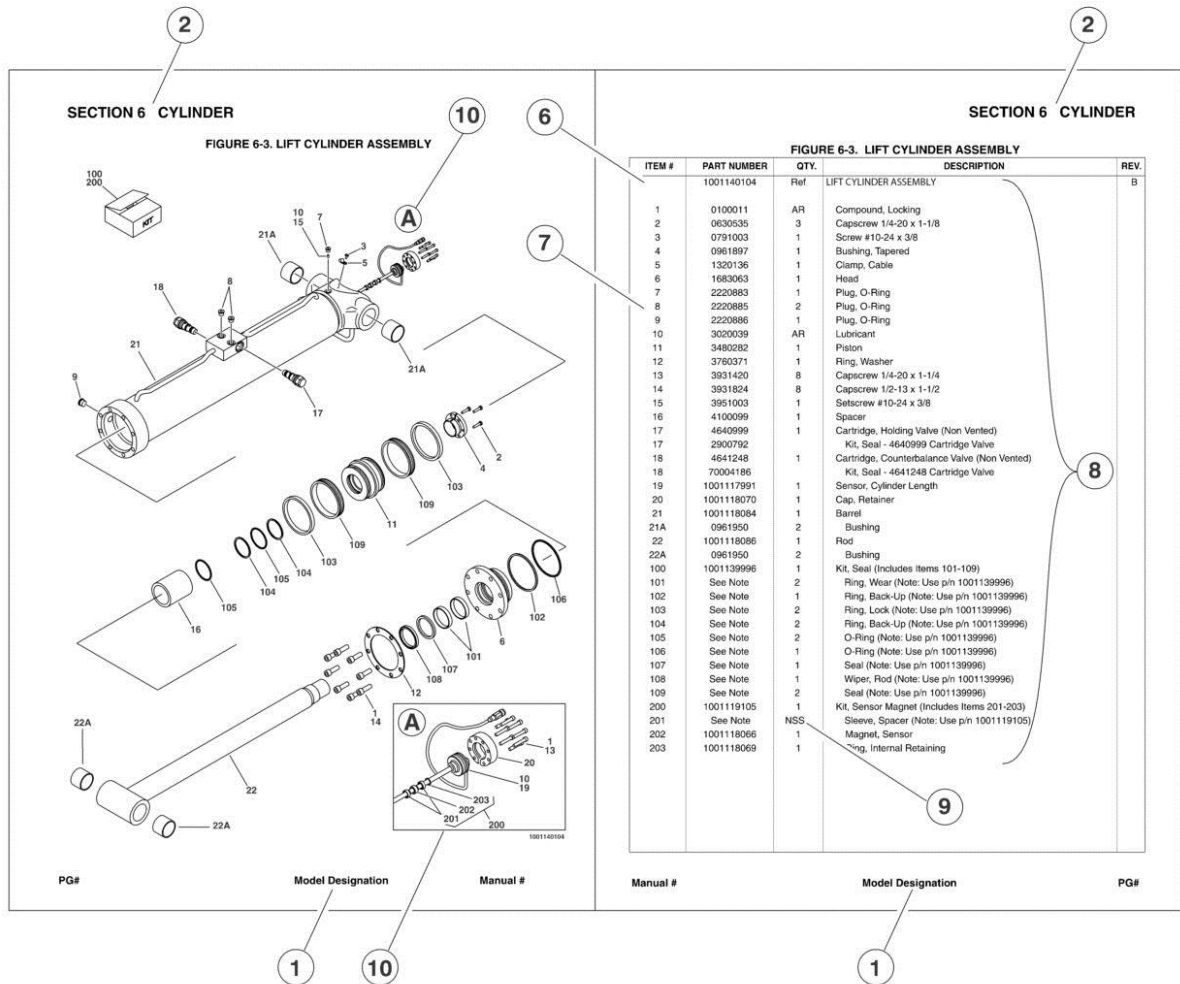
January 12, 2007 - Revised (Edited to 0010603 Revision 55)

May 15, 2007 - Revised (Edited to 0010603 Revision 57)

REVISION LOG

September 19, 2007 - Revised (Edited to 0010603 Revision 67)
January 15, 2008 - Revised (Edited to 0010603 Revision 69)
June 15, 2008 - Revised (Edited to 0010603 Revision 69)
December 1, 2008 - Revised (Edited to 0010603 Revision 69)
April 15, 2009 - Revised (Edited to 0010603 Revision 72)
October 15, 2009 - Revised (Edited to 0010603 Revision 94)
May 24, 2010 - Revised (Edited to 0010603 Revision 103)
September 1, 2010 - Revised (Manual edited to 0010603 Revision 106 & 0010721 Revision 3)
March 15, 2011 - Revised (Manual edited to 0010603 Revision 110 & 0010721 Revision 5)
June 10, 2011 - Revised (Manual edited to 0010603 Revision 111 & 0010721 Revision 5)
September 14, 2011 - Revised (Manual edited to 0010603 Revision 112 & 0010721 Revision 6)
January 6, 2012 - Revised (Manual edited to 0010603 Revision B & 0010721 Revision B)
April 20, 2012 - Revised (Manual edited to 0010603 Revision D & 0010721 Revision C)
July 27, 2012 - Revised (Manual edited to 0010603 Revision D & 0010721 Revision D)
November 8, 2012 - Revised (Manual edited to 0010603 Revision D & 0010721 Revision D)
March 15, 2013 - Revised (Manual edited to 0010603 Revision D & 0010721 Revision K)
April 25, 2013 - Revised (Manual edited to 0010603 Revision D & 0010721 Revision K)
June 14, 2013 - Revised (Manual edited to 0010603 Revision D & 0010721 Revision M)
September 30, 2013 - Revised (Manual edited to 0010603 Revision W & 0010721 Revision M)
February 28, 2014 - Revised (Manual edited to 0010603 Revision W & 0010721 Revision M)
October 6, 2014 - Revised (Manual edited to 0010603 Revision W & 0010721 Revision Q)
October 30, 2015 - Revised Manual (Revision 4)
March 14, 2017 - Revised Manual
February 28, 2018 - Revised Manual

GENERAL INFORMATION



1) MACHINE IDENTIFICATION

Machines are identified by model and in some cases a combination of models, serial number (SN) or regional standard (i.e ANSI, CE, CSA). Components may also be identified by SN or manufacturer. Common components that may be identified by these characteristics are engines and hydraulic components.

2) PARTS MANUAL ORGANIZATION

Product information in this manual is organized under section titles. Frame, Cylinder, Hydraulic and Electrical are a few examples. Each section is organized by figure and page number. The information within the Figure is then organized by item number, part number, description and corresponding illustration (s).

3) TABLE OF CONTENTS

A table of contents is found toward the beginning of the manual. Figure number, description and page number are provided for quick reference to the page containing the related information.

4) RECOMMENDED SPARE PARTS

The Recommended Spare Parts, located near the end of the manual, reference most frequently used maintenance parts.

5) PART NUMBER INDEX

A numerical index listing all part numbers and the corresponding page number(s) appears at the back of the manual.

GENERAL INFORMATION

6) NON-SERVICED PARTS

In some instances, it is necessary to display non-serviced parts, assemblies or installations. In the case of assemblies and installations there will be a Ref in the Qty column. In case of parts that are not available for service within assemblies or components, there will be a NSS (Not Sold Separately) or NLA (No Longer Available) listed in the Qty. column of the manual.

7) PARTS LIST ITEM NUMBERS

Numbers shown in the item# column correspond to numbers used in the associated illustration (s). Item numbers which are missing from the sequence in the parts list are not used on that page

8) INDENTED PARTS DESCRIPTION

An indented part description is included in the item under which it is indented.

9) ABB REVIATION AND SYMBOLS

| | | | |
|--------------|--|---------------|------------------------------------|
| AC..... | .. Alternating Current | LCD | .. Liquid Crystal Display |
| ADE. | ..Advanced Design Electronics | LED | .. Light Emitting Diodes |
| ANSI | ..American National Standards Institute | LH... .. | .. Left Hand |
| AR. | ..As Required | LSS | ..Load Sensing System |
| ASSY | .. Assembly | M(m)... .. | .. Metric/Meter |
| AUX... .. | ..Auxiliary | MM (mm) | ..Milimeter |
| AWG..... | ..American WireGauge | mA..... | .. Milliamps |
| B/M..... | .. Bill of Material | NLA..... | ..No Longer Available |
| CE..... | ..European Conformity | NPT | .. National Pipe T threads |
| CCW | ..Counter Clockwise | NSS | ..Not Sold Separately |
| cm..... | .. Centimeter | OD..... | ..Outside Diameter |
| CW | ..Clockwise | OR B..... | .. O-Ring Bos s |
| CSA. | ..Canadian Standards Association | ORFS..... | .. O-Ring Face Seal |
| CYL... .. | ..Cylinder | OZ (oz). | ..Ounces |
| DIA. | ..Diameter | PG | ..Page |
| DC | ..Direct Current | P/N..... | ..Part Number |
| EMS | .. Emergency Stop | qt..... | ..Quarts |
| ENG | ..Engine | QTY..... | ..Quantity |
| FT (ft)..... | .. Feet | REF | ..Reference |
| GA(Ga).. .. | ..Gauge | REV | ..Revision Level |
| HYD | ..Hydraulic | RH... .. | .. Right Hand |
| Hz..... | .. Hertz | SAE..... | .. Society of Automotive Engineers |
| ID..... | ..Inside Diameter | SN..... | ..Serial Number |
| in..... | .. inches | SPEC(S)..... | ..Specifications |
| ISO | ..International Organization for Standards | T/T..... | ..Turntable |
| JIC..... | ..Joint Industry Council | UGM | ..Universal Ground Module |
| KG | ..Kilogram | V..... | .. Volts |
| L..... | ..Liter | W..... | .. Watts |
| LB | ..Pounds | #..... | .. Number |

10) ILLUSTRATION REFERENCE LETTERS

When necessary, illustrations may contain reference letters that are intended to track information (i. e. hoses, harnesses) from one point to another or to track visual enlargement of components to show details that may be located in another area on the illustration.

Note: Due to continuous product improvements, JLG Industries, Inc. reserves the right to make specification changes without prior notification. Contact JLG Industries, Inc. for updated information.

TABLE OF CONTENTS

| | |
|---|-----|
| SECTION 1 - FRAME..... | 11 |
| FIGURE 1-1. 2WD FRONT AXLE AND STEERING INSTALLATION | 12 |
| FIGURE 1-2. 4WD FRONT AXLE AND STEERING INSTALLATION | 16 |
| FIGURE 1-3. 4WS REAR STEERING INSTALLATION..... | 20 |
| FIGURE 1-4. TIRE AND WHEEL DRIVE INSTALLATIONS..... | 22 |
| FIGURE 1-5. DRIVE HUB ASSEMBLY | 26 |
| FIGURE 1-6. DRIVE MOTOR ASSEMBLY (USA BUILT MACHINES) (SN 0300087000 through 0300098764)..... | 30 |
| FIGURE 1-7. DRIVE MOTOR ASSEMBLY (USA BUILT MACHINES AND CHINA BUILT MACHINES) (SN 0300098765 through 0300171769, SN B300000100 through B300000969)..... | 32 |
| FIGURE 1-8. DRIVE VALVES AND SHIELDS INSTALLATION (FRAME MOUNTED) | 34 |
| FIGURE 1-9. TOW PACKAGE INSTALLATION (OPTIONAL) | 38 |
| SECTION 2 - TURNTABLE | 41 |
| FIGURE 2-1. CONTROL VALVES INSTALLATIONS..... | 42 |
| FIGURE 2-2. MAIN CONTROL VALVE ASSEMBLY..... | 46 |
| FIGURE 2-3. ACCESSORY VALVE ASSEMBLY..... | 50 |
| FIGURE 2-4. SWING DRIVE, TURNTABLE BEARING AND LOCK INSTALLATIONS..... | 52 |
| FIGURE 2-5. SWING HUB ASSEMBLY (USA BUILT MACHINES) (SN 0300087000 through 0300137441) | 56 |
| FIGURE 2-6. SWING MOTOR ASSEMBLY (WHITE ROLLER STATOR) (USA BUILT MACHINES) (ORIGINAL EQUIPMENT) (SN 0300087000 through 0300137441) | 58 |
| FIGURE 2-7. SWING MOTOR ASSEMBLY (PARKER) (USA BUILT MACHINES) (SERVICE REPLACEMENT) (SN 0300087000 through 0300137440) | 60 |
| FIGURE 2-8. SWING MOTOR/BRAKE/HUB ASSEMBLY (USA BUILT MACHINES AND CHINA BUILT MACHINES) (SN 0300137441 through 0300171769, SN B300000100 through B300000969)..... | 62 |
| FIGURE 2-9. CATERPILLAR ENGINE INSTALLATION (USA BUILT MACHINES) (SN 0300087000 through 0300140223)..... | 66 |
| FIGURE 2-10. CATERPILLAR ENGINE INSTALLATION (USA BUILT MACHINES AND CHINA BUILT MACHINES) (SN 0300140223 through 0300171769, SN B300000100 through B300000969) | 76 |
| FIGURE 2-11. DEUTZ ENGINE INSTALLATION..... | 84 |
| FIGURE 2-12. FORD ENGINE INSTALLATION..... | 96 |
| FIGURE 2-13. GM ENGINE INSTALLATION (WITHOUT UGM)..... | 102 |
| FIGURE 2-14. GM ENGINE INSTALLATION (WITH UGM) | 108 |
| FIGURE 2-15. PISTON PUMP ASSEMBLY | 114 |
| FIGURE 2-16. GEAR PUMP ASSEMBLY | 120 |
| FIGURE 2-17. TANK INSTALLATIONS..... | 122 |
| FIGURE 2-18. ROTARY COUPLING INSTALLATION | 126 |
| FIGURE 2-19. GROUND CONTROL BOX ASSEMBLY (WITHOUT UGM) | 130 |
| FIGURE 2-20. GROUND CONTROL BOX ASSEMBLY (WITH UGM) | 134 |
| FIGURE 2-21. ELECTRICAL OPTIONS INSTALLATION (TURNTABLE MOUNTED)..... | 138 |
| FIGURE 2-22. ENGINE TRAY JACK INSTALLATION (OPTIONAL)..... | 142 |
| FIGURE 2-23. HOODS (ABS) AND LIFTING PLATE INSTALLATIONS (USA BUILT MACHINES) (SN 0300087000 through 0300089988) | 144 |
| FIGURE 2-24. HOODS (ABS) AND LIFTING PLATE INSTALLATIONS (USA BUILT MACHINES) (SN 0300089988 through 0300171769) | 148 |
| FIGURE 2-25. HOODS (STEEL) AND LIFTING PLATE INSTALLATIONS..... | 154 |
| FIGURE 2-26. 2500W GENERATOR INSTALLATION - CATERPILLAR MACHINES (OPTIONAL)..... | 160 |
| FIGURE 2-27. 2500W GENERATOR INSTALLATION - DEUTZ MACHINES (OPTIONAL) | 164 |
| FIGURE 2-28. 2500W GENERATOR INSTALLATION - FORD MACHINES (OPTIONAL) | 168 |
| FIGURE 2-29. 2500W GENERATOR INSTALLATION - GM MACHINES (OPTIONAL) | 172 |
| FIGURE 2-30. 7500W SKYPOWER GENERATOR INSTALLATION - CATERPILLAR AND DEUTZ ENGINES (OPTIONAL) ... | 176 |
| FIGURE 2-31. 7500W SKYPOWER GENERATOR INSTALLATION - FORD ENGINES (OPTIONAL) | 184 |
| FIGURE 2-32. 7500W SKYPOWER GENERATOR INSTALLATION - GM ENGINES (OPTIONAL)..... | 188 |
| SECTION 3 - BOOM | 193 |
| FIGURE 3-1. BOOM INSTALLATION - 600S | 194 |
| FIGURE 3-2. BOOM INSTALLATION - 600SJ & 660SJ..... | 198 |
| FIGURE 3-3. MAIN BOOM ASSEMBLIES | 204 |
| FIGURE 3-4. ROTATOR ASSEMBLIES..... | 210 |
| FIGURE 3-5. POWER TRACK INSTALLATIONS..... | 212 |
| SECTION 4 - PLATFORM..... | 215 |
| FIGURE 4-1. PLATFORM COMPONENTS INSTALLATION | 216 |
| FIGURE 4-2. PLATFORM COMPONENTS INSTALLATION (FALL ARREST PLATFORM)..... | 222 |

TABLE OF CONTENTS

| | |
|--|-----|
| FIGURE 4-3. PLATFORM CONSOLE ASSEMBLY (USA BUILT MACHINES) (SN 0300087000 through 0300138728) | 224 |
| FIGURE 4-4. PLATFORM CONSOLE ASSEMBLY (USA BUILT MACHINES AND CHINA BUILT MACHINES) (SN 0300138729 through 0300171769, SN B300000100 through B300000969) | 228 |
| FIGURE 4-5. CONTROLLER ASSEMBLY (LIFT AND SWING) | 232 |
| FIGURE 4-6. CONTROLLER ASSEMBLY (LIFT AND SWING) | 234 |
| FIGURE 4-7. CONTROLLER ASSEMBLY (LIFT AND SWING) | 236 |
| FIGURE 4-8. CONTROLLER ASSEMBLY (DRIVE AND STEER) | 240 |
| FIGURE 4-9. CONTROLLER ASSEMBLY (DRIVE AND STEER) | 244 |
| FIGURE 4-10. CONTROLLER ASSEMBLY (DRIVE AND STEER) | 246 |
| FIGURE 4-11. SOFT TOUCH SYSTEM INSTALLATION (OPTIONAL) | 248 |
| FIGURE 4-12. PLATFORM BUMPER PADDING INSTALLATIONS (OPTIONAL) | 252 |
| FIGURE 4-13. SKYGLAZIER INSTALLATION | 254 |
| FIGURE 4-14. SKYWELDER INSTALLATION (50HZ) | 258 |
| FIGURE 4-15. SKYWELDER INSTALLATION (60HZ) | 260 |
| FIGURE 4-16. WELDER ASSEMBLY | 262 |
| FIGURE 4-17. SKYCUTTER INSTALLATION | 264 |
| FIGURE 4-18. SKYCUTTER INSTALLATION | 266 |
| FIGURE 4-19. PLASMA CUTTER ASSEMBLY | 270 |
| FIGURE 4-20. PLASMA CUTTER ASSEMBLY | 272 |
| FIGURE 4-21. PIPE RACKS INSTALLATION | 274 |
| FIGURE 4-22. SKYAIR AIR COMPRESSOR INSTALLATION | 276 |
| FIGURE 4-23. AIR COMPRESSOR ASSEMBLY | 278 |
| | |
| SECTION 5 - CYLINDER | 281 |
| | |
| FIGURE 5-1. AXLE LOCKOUT CYLINDER ASSEMBLY | 282 |
| FIGURE 5-2. LEVEL CYLINDER ASSEMBLY - PLATFORM SLAVE | 284 |
| FIGURE 5-3. LEVEL CYLINDER ASSEMBLY - PLATFORM SLAVE - 600S (SERVICE REPLACEMENT) | 288 |
| FIGURE 5-4. LEVEL CYLINDER ASSEMBLY - PLATFORM SLAVE - 600SJ & 660SJ (SERVICE REPLACEMENT) | 290 |
| FIGURE 5-5. LIFT CYLINDER ASSEMBLY - JIB - 600SJ & 660SJ (ORIGINAL EQUIPMENT) | 292 |
| FIGURE 5-6. LIFT CYLINDER ASSEMBLY - MAIN BOOM | 294 |
| FIGURE 5-7. MASTER CYLINDER ASSEMBLY | 296 |
| FIGURE 5-8. MASTER CYLINDER ASSEMBLY - 600SJ/660SJ (SERVICE REPAACEMENT) | 300 |
| FIGURE 5-9. STEER CYLINDER ASSEMBLY (USA BUILT MACHINES) (SN 0300087000 through 0300142634) | 302 |
| FIGURE 5-10. STEER CYLINDER ASSEMBLY (USA BUILT MACHINES AND CHINA BUILT MACHINES) (SN 0300142635 through 0300171769, SN B300000100 through B300000969) | 304 |
| FIGURE 5-11. TELESCOPE CYLINDER ASSEMBLIES | 306 |
| | |
| SECTION 6 - HYDRAULIC | 309 |
| | |
| FIGURE 6-1. HYDRAULIC DIAGRAM - DRIVE AND STEER (2WD/2WS) | 310 |
| FIGURE 6-2. HYDRAULIC DIAGRAM - DRIVE AND STEER (4WD/2WS) | 312 |
| FIGURE 6-3. HYDRAULIC DIAGRAM - OSCILLATING AXLE | 316 |
| FIGURE 6-4. HYDRAULIC DIAGRAM - STANDARD | 318 |
| FIGURE 6-5. HYDRAULIC DIAGRAM LIST | 324 |
| | |
| SECTION 7 - ELECTRICAL | 325 |
| | |
| FIGURE 7-1. ELECTRICAL DIAGRAM LIST | 326 |
| FIGURE 7-2. HARNESS COMPONENTS INSTALLATION (WITHOUT UGM) | 328 |
| FIGURE 7-3. HARNESS COMPONENTS INSTALLATION (WITH UGM) | 346 |
| FIGURE 7-4. AC CABLES INSTALLATION (CE GERMAN AND CE UK SPECS) | 362 |
| | |
| SECTION 8 - DECALS | 365 |
| | |
| FIGURE 8-1. DECAL INSTALLATION (ANSI SPEC) (USA BUILT MACHINES) (SN 0300087000 through 0300087911) | 366 |
| FIGURE 8-2. DECAL INSTALLATION (ANSI SPEC) (USA BUILT MACHINES AND CHINA BUILT MACHINES) (SN 0300087912 through 0300171769, SN B300000100 through B300000969) | 370 |
| FIGURE 8-3. DECAL INSTALLATION (COUNTRY SPEC) (USA BUILT MACHINES) (SN 0300087000 through 0300087911) | 374 |
| FIGURE 8-4. DECAL INSTALLATION (COUNTRY SPEC) (USA BUILT MACHINES AND CHINA BUILT MACHINES) (SN 0300087912 through 0300171769, SN B300000100 through B300000969) | 380 |
| FIGURE 8-5. DECAL INSTALLATION (AUSTRALIAN AND CE SPEC) (USA BUILT MACHINES) (SN 0300087000 through 0300087911) | 388 |
| FIGURE 8-6. DECAL INSTALLATION (AUSTRALIAN AND CE SPEC) (USA BUILT MACHINES AND CHINA BUILT MACHINES) (SN 0300087912 through 0300171769, SN B300000100 through B300000969) | 392 |
| | |
| SECTION 9 - RECOMMENDED SERVICE PARTS STOCK | 395 |

TABLE OF CONTENTS

| | |
|--|-----|
| FIGURE 9-1. MODEL 600SJ/660SJ STANDARD PARTS | 396 |
| FIGURE 9-2. MODEL 600SJ/660SJ VARIABLE PARTS..... | 398 |
| SECTION 10 - SPECIAL OPTIONS..... | 399 |
| FIGURE 10-1. SPECIAL OPTIONS..... | 400 |
| PART NUMBER INDEX | 407 |

SECTION 1 - FRAME

SECTION 1 - FRAME

FIGURE 1-1. 2WD FRONT AXLE AND STEERING INSTALLATION

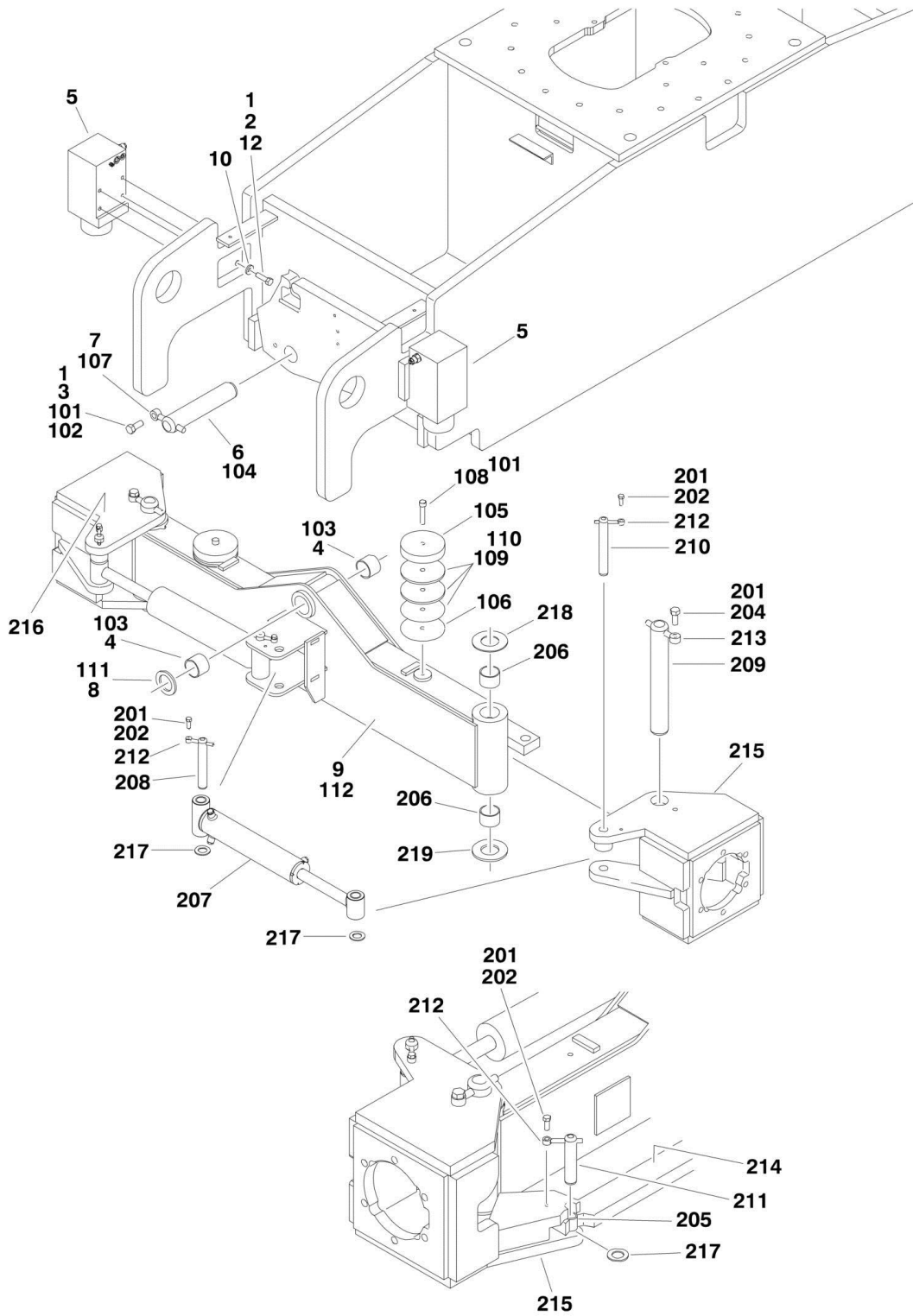
| ITEM | PART NUMBER | QTY | DESCRIPTION | REV |
|------|-------------|-----|--|-----|
| | | Ref | Note: 2WD Only Available on USA Built Machines. | |
| | | Ref | AXLE INSTALLATIONS - OSCILLATING | |
| | 0273081 | Ref | Without Tow Package | F |
| | 0273379 | Ref | With Tow Package | D |
| 1 | 0100011 | AR | Compound, Locking | |
| 2 | 0641814 | 8 | Bolt 1/2in-13NC x 1-3/4in | |
| 3 | 0642012 | 1 | Bolt 5/8in-11NC x 1-1/2in | |
| 4 | 0961950 | 2 | Bearing | |
| 5 | | Ref | Lockout Cylinder Assembly Options (See CYLINDER SECTION for Breakdown): | |
| 5 | 1684280 | NLA | Lockout Cylinder Assembly (Use p/n 1001167359) (SN 0300087000 through 0300089728) | |
| 5 | 1684465 | 2 | Lockout Cylinder Assembly (SN 0300089729 through 0300171769) | |
| 6 | 3422592 | 1 | Pin, Pivot | |
| 7 | 3841258 | 1 | Keeper, Pin | |
| 8 | 4740158 | 1 | Thrustwasher | |
| 9 | | Ref | Axle Weldment Options: | |
| 9 | 4846814 | 1 | Without Tow Package | |
| 9 | 4846934 | 1 | With Tow Package | |
| 10 | 4891800 | 8 | Flatwasher 1/2in Hardened | |
| 12 | 0100038 | AR | Primer, Locking | |
| | 0273226 | Ref | AXLE INSTALLATIONS - FIXED | B |
| 101 | 0100011 | AR | Compound, Locking | |
| 102 | 0642012 | 1 | Bolt 5/8in-11NC x 1-1/2in | |
| 103 | 0961950 | 2 | Bearing | |
| 104 | 3422592 | 1 | Pin, Pivot | |
| 105 | 3539877 | 2 | Plate, Stop | |
| 106 | 3539878 | 2 | Plate, Stop | |
| 107 | 3841258 | 1 | Keeper, Pin | |
| 108 | 3931840 | 2 | Screw 1/2in-13NC x 2-1/2in | |
| 109 | 4070944 | 4 | Shim (.06) | |
| 110 | 4070945 | 4 | Shim (.25) | |
| 111 | 4740158 | 1 | Thrustwasher | |
| 112 | | Ref | Axle Weldment Options: | |
| 112 | | Ref | Without Tow Package Options: | |
| 112 | 4846814 | 1 | Without Tow Package (SN 0300087000 through 0300166418) | |
| 112 | 1001105321 | 1 | Without Tow Package (SN 0300166419 through 0300171769) | |
| 112 | See Note | NLA | With Tow Package (Note: Not Available for Purchase) | |
| | | Ref | STEERING INSTALLATIONS | |
| | 0273150 | Ref | Without Tow Package | C |
| | 0273422 | Ref | With Tow Package | B |
| 201 | 0100011 | AR | Compound, Locking | |
| 202 | 0440170 | 4 | Cone, Bearing | |
| 203 | 0440171 | 4 | Cup, Bearing | |
| 204 | 0641608 | 4 | Bolt 3/8in-16NC x 1in | |
| 205 | 0641612 | 2 | Bolt 3/8in-16NC x 1-1/2in | |
| 206 | 0642012 | 2 | Bolt 5/8in-11NC x 1-1/2in | |
| 207 | 0721003 | 6 | Bolt #10-24NC x 3/8in | |
| 208 | 0961977 | 2 | Bushing | |

SECTION 1 - FRAME

| ITEM | PART NUMBER | QTY | DESCRIPTION | REV |
|------|-------------|-----|---|-----|
| 209 | 0962131 | 4 | Bearing | |
| 210 | 1120304 | 2 | Cap, Hub | |
| 211 | | Ref | Steer Cylinder Assembly Options (See CYLINDER SECTION for Breakdown): | |
| 211 | 1683208 | 2 | Steer Cylinder Assembly (SN 0300087000 through 0300142634) | |
| 211 | 1001097242 | NLA | Steer Cylinder Assembly (Use p/n 1001129305) (Original Equipment) (SN 0300142635 through 0300171769) | |
| 211 | 1001129305 | 2 | Steer Cylinder Assembly (Service Replacement) | |
| 212 | 2780271 | 2 | Hub | |
| 212A | 0630490 | 18 | Stud, Wheel (9 Per Hub) | |
| 213 | 3323403 | 2 | Nut, Slotted 1-1/2in -12NF | |
| 214 | 3422326 | 2 | Pin, Steer Cylinder | |
| 215 | 3422900 | 2 | Kingpin | |
| 216 | | Ref | Pin, Steer Cylinder Options: | |
| 216 | 3422902 | 2 | Machines without Tow Package | |
| 216 | 3422902 | 1 | Machines with Tow Package (Left Side without Tow Link) | |
| 216 | 3422567 | 1 | Machines with Tow Package (Right Side with Tow Link) | |
| 217 | 3422903 | 2 | Pin, Tie-Rod | |
| 218 | 3841143 | 6 | Shaft, Keeper | |
| 219 | 3841258 | 2 | Shaft, Keeper | |
| 220 | 3841510 | 1 | Tie-Rod | |
| 221 | 3960343 | 2 | Seal, Grease | |
| 222 | 4130396 | 1 | Spindle - Left Side | |
| 223 | | Ref | Spindle - Right Side Options: | |
| 223 | 4130397 | 2 | Machines without Tow Package | |
| 223 | 4130400 | 1 | Machines with Tow Package | |
| 224 | 4740111 | 6 | Thrustwasher | |
| 225 | 4740256 | 2 | Thrustwasher | |
| 226 | 4740283 | 2 | Flatwasher, Hardened | |
| 227 | 4740263 | 2 | Thrustwasher | |
| 228 | 4761000 | 6 | Lockwasher #10 | |
| 229 | 3451010 | 2 | Pin, Cotter 5/8in x 2-1/2in | |
| 230 | 3300106 | 18 | Lugnut (9 per Wheel) | |

SECTION 1 - FRAME

FIGURE 1-2. 4WD FRONT AXLE AND STEERING INSTALLATION



SECTION 1 - FRAME

FIGURE 1-2. 4WD FRONT AXLE AND STEERING INSTALLATION

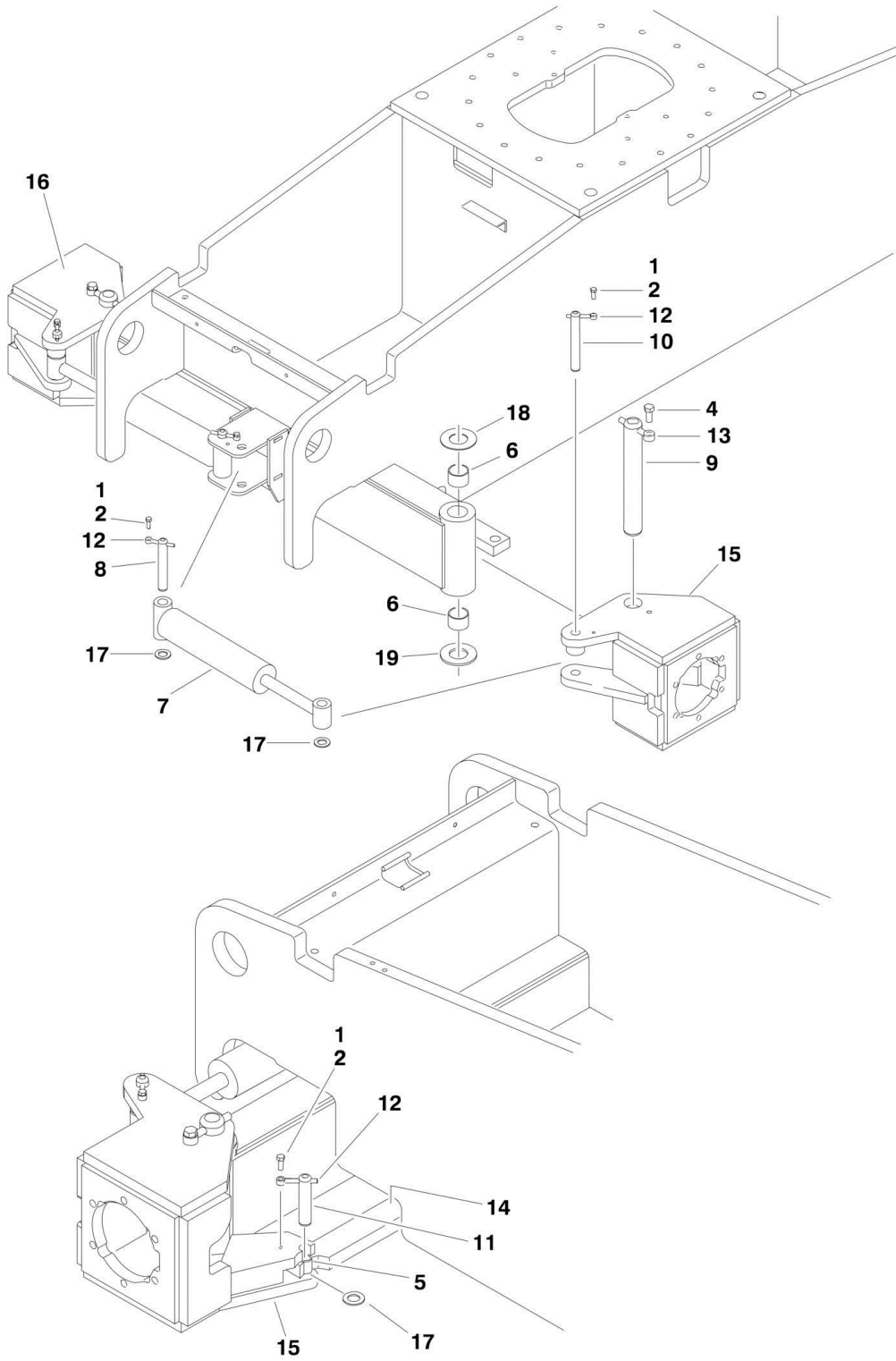
| ITEM | PART NUMBER | QTY | DESCRIPTION | REV |
|------|-------------|-----|---|-----|
| | | Ref | AXLE INSTALLATIONS - OSCILLATING | |
| | 0273081 | Ref | USA Built Machines without Tow Package | F |
| | 1001113644 | Ref | China Built Machines without Tow Package | B |
| | 0273379 | Ref | All Machines with Tow Package | D |
| 1 | 0100011 | AR | Compound, Locking | |
| 2 | 0641814 | 8 | Bolt 1/2in-13NC x 1-3/4in | |
| 3 | 0642012 | 1 | Bolt 5/8in-11NC x 1-1/2in | |
| 4 | 0961950 | 2 | Bearing | |
| 5 | | Ref | Lockout Cylinder Assembly Options (See CYLINDER SECTION for Breakdown): | |
| 5 | 1684280 | NLA | USA Built Machines (Use p/n 1001167359) (SN 0300087000 through 0300089728) | |
| 5 | 1684465 | 2 | USA Built Machines (SN 0300089729 through 0300171769) | |
| 5 | 1684465 | 2 | China Built Machines (SN B300000100 through B300000969) | |
| 6 | 3422592 | 1 | Pin, Pivot | |
| 7 | 3841258 | 1 | Keeper, Pin | |
| 8 | 4740158 | 1 | Thrustwasher | |
| 9 | | Ref | Axle Weldment Options: | |
| 9 | 4846814 | 1 | USA Built Machines without Tow Package | |
| 9 | 1001113597 | 1 | China Built Machines without Tow Package | |
| 9 | 4846934 | 1 | All Machines with Tow Package | |
| 10 | 4891800 | 8 | Flatwasher 1/2in Hardened | |
| 12 | 0100038 | AR | Primer, Locking | |
| | 0273226 | Ref | AXLE INSTALLATIONS - FIXED | A |
| | | Ref | Note: Only Available on USA Built Machines. | |
| 101 | 0100011 | AR | Compound, Locking | |
| 102 | 0642012 | 1 | Bolt 5/8in-11NC x 1-1/2in | |
| 103 | 0961950 | 2 | Bearing | |
| 104 | 3422592 | 1 | Pin, Pivot | |
| 105 | 3539877 | 2 | Plate, Stop | |
| 106 | 3539878 | 2 | Plate, Stop | |
| 107 | 3841258 | 1 | Keeper, Pin | |
| 108 | 3931840 | 2 | Screw 1/2in-13NC x 2-1/2in | |
| 109 | 4070944 | 4 | Shim (.06) | |
| 110 | 4070945 | 4 | Shim (.25) | |
| 111 | 4740158 | 1 | Thrustwasher | |
| 112 | | Ref | Axle Weldment Options: | |
| 112 | 4846814 | 1 | Without Tow Package | |
| 112 | See Note | NLA | With Tow Package (Note: Not Available for Purchase) | |
| | | Ref | STEERING INSTALLATIONS | |
| | 0273080 | Ref | 4WD & 2WS - USA Built Machines without Tow Package | G |
| | 1001113653 | Ref | 4WD & 2WS - China Built Machines without Tow Package | D |
| | 0273394 | Ref | 4WD & 2WS - All Machines with Tow Package | D |
| | 0273357 | Ref | 4WD & 4WS - USA Machines without Tow Package | 1 |
| | 1001121639 | Ref | 4WD & 4WS - China Built Machines without Tow Package | B |
| | 0275230 | Ref | 4WD & 4WS - USA Built Machines with Tow Package | 1 |
| 201 | 0100011 | AR | Compound, Locking | |
| 202 | 0641608 | 6 | Bolt 3/8in-16NC x 1in | |
| 204 | 0642012 | 2 | Bolt 5/8in-11NC x 1-1/2in | |
| 205 | 0961977 | 2 | Bushing | |

SECTION 1 - FRAME

| ITEM | PART NUMBER | QTY | DESCRIPTION | REV |
|------|-------------|-----|--|-----|
| 206 | 0962131 | 4 | Bearing | |
| 207 | | Ref | Steer Cylinder Assembly Options (See CYLINDER SECTION for Breakdown): | |
| 207 | 1683208 | 2 | USA Built Machines (SN 0300087000 through 0300142634) | |
| 207 | 1001097242 | NLA | USA Built Machines (Use p/n 1001129305) (Original Equipment) (SN 0300142635 through 0300171769) | |
| 207 | 1001129305 | 2 | USA Built Machines (Service Replacement) | |
| 207 | 1001097242 | NLA | China Built Machines (Use p/n 1001129305) (Original Equipment) (SN B300000100 through B300000969) | |
| 207 | 1001129305 | 2 | China Built Machines (Service Replacement) | |
| 208 | 3422326 | 2 | Pin, Steer Cylinder | |
| 209 | 3422900 | 2 | Kingpin | |
| 210 | | Ref | Pin, Steer Cylinder Options: | |
| 210 | 3422902 | 2 | Machines without Tow Package | |
| 210 | 3422902 | 1 | Machines with Tow Package (Left Side without Tow Link) | |
| 210 | 3422567 | 1 | Machines with Tow Package (Right Side with Tow Link) | |
| 211 | 3422903 | 2 | Pin, Tie-Rod | |
| 212 | 3841143 | 6 | Shaft, Keeper | |
| 213 | 3841258 | 2 | Shaft, Keeper | |
| 214 | | Ref | Tie-Rod Options: | |
| 214 | 3841510 | 1 | USA Built Machines | |
| 214 | 1001113674 | 1 | China Built Machines | |
| 215 | | Ref | Spindle - Left Side Options: | |
| 215 | | Ref | USA Built Machines | |
| 215 | 4130394 | NLA | Spindle - Left Side (Use p/n 1001099387) (SN 0300087000 through 0300163150) | |
| 215 | 1001099387 | 1 | Spindle - Left Side (SN 0300163151 through 0300171769) | |
| 215 | | Ref | China Built Machines | |
| 215 | 1001113560 | NLA | Spindle - Left Side (Use p/n 1001133061) (SN 0300087000 through B300000723) | |
| 215 | 1001133061 | 1 | Spindle - Left Side (SN B300000724 through B300000969) | |
| 216 | | Ref | Spindle - Right Side Options: | |
| 216 | | Ref | USA Built Machines without Tow Package | |
| 216 | 4130395 | NLA | Spindle - Right Side (Use p/n 1001099196) (SN B300000100 through 0300163150) | |
| 216 | 1001099196 | 1 | Spindle - Right Side (SN 0300163151 through 0300171769) | |
| 216 | | Ref | China Built Machines without Tow Package | |
| 216 | 1001113575 | NLA | Spindle - Right Side (Use p/n 1001113057) (SN B300000100 through B300000723) | |
| 216 | 1001133057 | 1 | Spindle - Right Side (SN B300000724 through B300000969) | |
| 216 | 4130399 | 1 | All Machines with Tow Package | |
| 217 | 4740111 | 6 | Thrustwasher | |
| 218 | 4740256 | 2 | Thrustwasher | |
| 219 | 4740463 | 2 | Thrustwasher | |

SECTION 1 - FRAME

FIGURE 1-3. 4WS REAR STEERING INSTALLATION



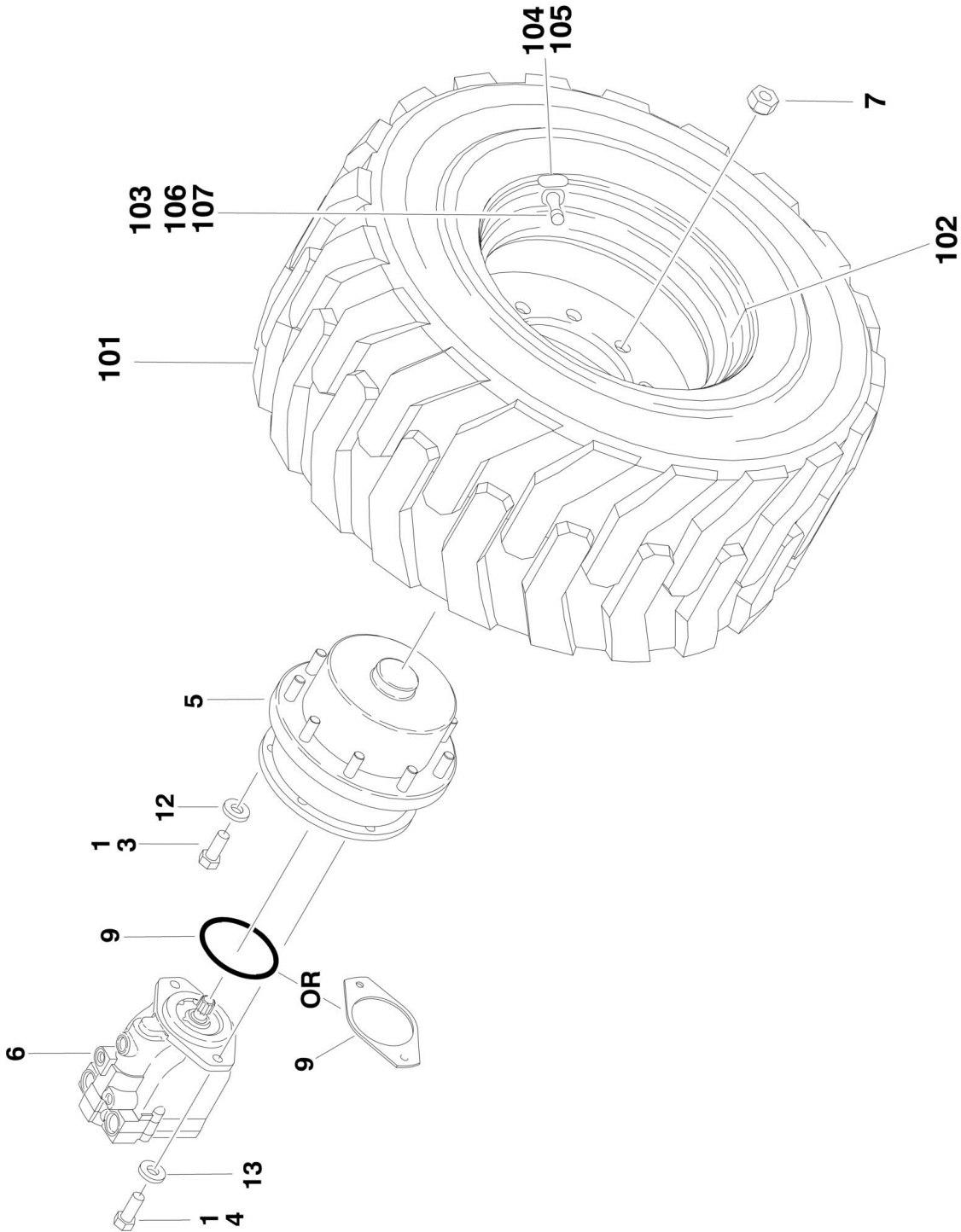
SECTION 1 - FRAME

FIGURE 1-3. 4WS REAR STEERING INSTALLATION

| ITEM | PART NUMBER | QTY | DESCRIPTION | REV |
|------|-------------|-----|---|-----|
| | | Ref | 4WS REAR STEERING INSTALLATIONS | |
| | 0273356 | Ref | 2WD & 4WS Installation - 2WD Machines | 1 |
| | 0273357 | Ref | 4WD & 4WS - USA Machines without Tow Package | 1 |
| | 1001121639 | Ref | 4WD & 4WS - China Built Machines without Tow Package | B |
| | 0275230 | Ref | 4WD & 4WS - USA Built Machines with Tow Package | 1 |
| | | Ref | STEERING INSTALLATION | |
| | 0273080 | Ref | USA Built Machines | G |
| | 1001121639 | Ref | China Built Machines | B |
| 1 | 0100011 | AR | Compound, Locking | |
| 2 | 0641608 | 6 | Bolt 3/8in-16NC x 1in | |
| 4 | 0642012 | 2 | Bolt 5/8in-11NC x 1-1/2in | |
| 5 | 0961977 | 2 | Bushing | |
| 6 | 0962131 | 4 | Bearing | |
| 7 | | Ref | Steer Cylinder Assembly Options (See CYLINDER SECTION for Breakdown): | |
| 7 | 1683208 | 2 | USA Built Machines (SN 0300087000 through 0300142634) | |
| 7 | 1001097242 | 2 | USA Built Machines (SN 0300142635 through 0300171769) | |
| 7 | 1001097242 | 2 | China Built Machines (SN B300000100 through B300000969) | |
| 8 | 3422326 | 2 | Pin, Steer Cylinder | |
| 9 | 3422900 | 2 | Kingpin | |
| 10 | 3422902 | 2 | Pin, Steer Cylinder | |
| 11 | 3422903 | 2 | Pin, Tie-Rod | |
| 12 | 3841143 | 6 | Shaft, Keeper | |
| 13 | 3841258 | 2 | Shaft, Keeper | |
| 14 | 3841510 | 1 | Tie-Rod | |
| 15 | | Ref | Spindle - Left Side Options: | |
| 15 | | Ref | USA Built Machines | |
| 15 | 4130394 | NLA | Spindle - Left Side (Use p/n 1001099387) (SN 0300087000 through 0300163150) | |
| 15 | 1001099387 | 1 | Spindle - Left Side (SN 0300163151 through 0300171769) | |
| 15 | | Ref | China Built Machines | |
| 15 | 1001113560 | NLA | Spindle - Left Side (Use p/n 1001133061) (SN 0300087000 through B300000667) | |
| 15 | 1001133061 | 1 | Spindle - Left Side (SN B300000668 through B300000969) | |
| 16 | | Ref | Spindle - Right Side Options: | |
| 16 | | Ref | USA Built Machines without Tow Package | |
| 16 | 4130395 | NLA | Spindle - Right Side (Use p/n 1001099196) (SN B300000100 through 0300163150) | |
| 16 | 1001099196 | 1 | Spindle - Right Side (SN 0300163151 through 0300171769) | |
| 16 | | Ref | China Built Machines without Tow Package | |
| 16 | 1001113575 | NLA | Spindle - Right Side (Use p/n 1001133057) (SN B300000100 through B300000688) | |
| 16 | 1001133057 | 1 | Spindle - Right Side (SN B300000724 through B300000969) | |
| 17 | 4740111 | 6 | Thrustwasher | |
| 18 | 4740256 | 2 | Thrustwasher | |
| 19 | 4740463 | 2 | Thrustwasher | |

SECTION 1 - FRAME

FIGURE 1-4. TIRE AND WHEEL DRIVE INSTALLATIONS



SECTION 1 - FRAME

FIGURE 1-4. TIRE AND WHEEL DRIVE INSTALLATIONS

| ITEM | PART NUMBER | QTY | DESCRIPTION | REV |
|------|-------------|-----|--|-----|
| | | Ref | WHEEL DRIVE INSTALLATIONS | |
| | 0273049 | Ref | Wheel Drive Installations 2WD/2WS | J |
| | 0273367 | Ref | Wheel Drive Installations 2WD/4WS | A |
| | 0273048 | Ref | Wheel Drive Installations 4WD/2WS | L |
| | 0273366 | Ref | Wheel Drive Installations 4WD/4WS | J |
| | | Ref | Note: 2WD Qty Shown. For 4WD, Double Qty Shown. | |
| 1 | 0100011 | AR | Compound, Locking | |
| 3 | 0681810 | 4 | Bolt 1/2in-13NC x 1-1/4in (Grade 8) | |
| 4 | 0682016 | 12 | Bolt 5/8in-11NC x 2in (Grade 8) | |
| 5 | 2780269 | 2 | Drive Hub Assembly (See DRIVE HUB ASSEMBLY for Breakdown) | |
| 6 | | Ref | Drive Motor Assembly Options | |
| 6 | | Ref | USA Built Machines (See DRIVE MOTOR ASSEMBLY for Breakdown): (SN 0300087000 through 0300098764) | |
| 6 | 3160299 | NLA | 2WD (Use p/n 3160349) | |
| 6 | 3160300 | NLA | 4WD (Use p/n 3160350) | |
| 6 | | Ref | USA Built Machines (See DRIVE MOTOR ASSEMBLY for Breakdown): (SN 0300098765 through 0300171769) | |
| 6 | 3160349 | 2 | 2WD | |
| 6 | 3160350 | 2 | 4WD | |
| 6 | | Ref | China Built Machines (See DRIVE MOTOR ASSEMBLY for Breakdown): (SN B300000100 through B300000969) | |
| 6 | 3160349 | 2 | 2WD | |
| 6 | 3160350 | 2 | 4WD | |
| 7 | 3300106 | 18 | Nut, Wheel | |
| 9 | | Ref | Hardware Options: | |
| 9 | 3790045 | 1 | O-Ring (SN 0300087000 through 0300102228) | |
| 9 | 3960526 | 1 | Gasket (SN 0300102229 through 0300171769) | |
| 9 | 3960526 | 1 | Gasket (SN B300000100 through B300000969) | |
| 12 | 4891800 | 4 | Flatwasher 1/2in Hardened | |
| 13 | 4740393 | 12 | Flatwasher 5/8in Hardened | |
| 19 | 3020008 | AR | Lubricant - 80W-90 (Not Shown) | |
| | | Ref | TIRE AND WHEEL INSTALLATIONS OPTIONS | |
| | | Ref | USA Built Machines: (SN 0300087000 through 0300138401) | |
| | 0273001 | Ref | Pneumatic - OTR Tires (Available on All Specs except Australian and CE Specs) | 1 |
| | 0273242 | Ref | Pneumatic with Sealant - OTR Tires (Available on ANSI and ANSI Export Specs Only) | 1 |
| | 0274322 | Ref | Pneumatic Turf/Sand - OTR Tires (Available on All Specs except Australian and CE Specs) | 1 |
| | 0275860 | Ref | Pneumatic Turf/Sand - Galaxy Tires (Available on ANSI and ANSI Export Specs Only) | 1 |
| | 0273238 | Ref | Foam-Filled - OTR Tires (Available on All Specs) | 1 |
| | 0274152 | Ref | Foam-Filled - OTR Tires (Non-Marking) (Available on All Specs) | 1 |
| | | Ref | USA Built Machines: (SN 0300138402 through 0300171769) | |
| | 1001101800 | Ref | Pneumatic - OTR Tires (Available on All Specs except Australian and CE Specs) | C |
| | 1001101802 | Ref | Pneumatic with Sealant - OTR Tires (Available on ANSI and ANSI Export Specs Only) | C |
| | 0274322 | Ref | Pneumatic Turf/Sand - OTR Tires (Available on All Specs except Australian and CE Specs) | 1 |

SECTION 1 - FRAME

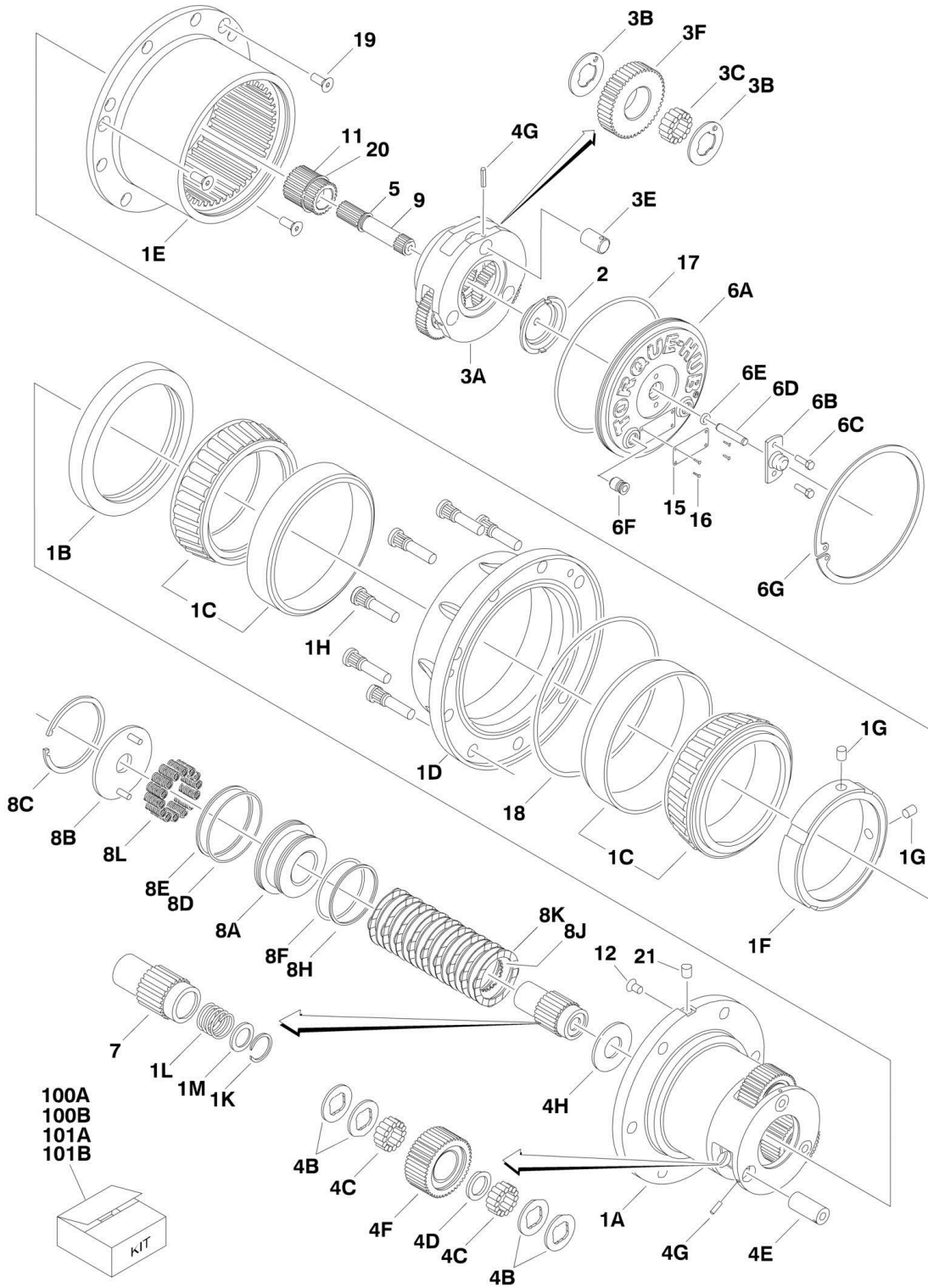
| ITEM | PART NUMBER | QTY | DESCRIPTION | REV |
|------|-------------|-----|--|-----|
| | 0275860 | Ref | Pneumatic Turf/Sand - Galaxy Tires (Available on ANSI and ANSI Export Specs Only) | 1 |
| | 1001101801 | Ref | Foam-Filled - OTR Tires (Available on All Specs) | C |
| | 0274152 | Ref | Foam-Filled - OTR Tires (Non-Marking) (Available on All Specs) | 1 |
| | | Ref | China Built Machines: (SN B300000100 to Present) | |
| | 1001101800 | Ref | Pneumatic - OTR Tires (Available on All Specs except Australian and CE Specs) | C |
| | 1001101801 | Ref | Foam-Filled - OTR Tires (Available on All Specs) | C |
| | | Ref | Tire and Wheel Assembly Options: | |
| | | Ref | USA Built Machines: (SN 0300087000 through 0300138401) | |
| | 0272993 | 2 | Pneumatic - OTR Tire (Right Side) | C |
| | 0272992 | 2 | Pneumatic - OTR Tire (Left Side) | C |
| | 0273244 | 2 | Pneumatic with Sealant - OTR Tire (Right Side) | B |
| | 0273243 | 2 | Pneumatic with Sealant - OTR Tire (Left Side) | B |
| | 4520357 | 4 | Pneumatic Turf/Sand - OTR Tire | B |
| | 4520674 | 4 | Pneumatic Turf/Sand - Galaxy Tire | A |
| | 0273240 | 2 | Foam-Filled - OTR Tire (Right Side) | B |
| | 0273239 | 2 | Foam-Filled - OTR Tire (Left Side) | B |
| | 4520340 | 2 | Foam-Filled - OTR Tire (Non-Marking) (Right Side) | B |
| | 4520339 | 2 | Foam-Filled - OTR Tire (Non-Marking) (Left Side) | B |
| | | Ref | USA Built Machines (SN 0300138402 through 0300171769) | |
| | 1001097358 | 2 | Pneumatic - OTR Tire (Right Side) | C |
| | 1001097357 | 2 | Pneumatic - OTR Tire (Left Side) | C |
| | 1001097388 | 2 | Pneumatic with Sealant - OTR Tire (Right Side) | C |
| | 1001097387 | 2 | Pneumatic with Sealant - OTR Tire (Left Side) | C |
| | 4520357 | 4 | Pneumatic Turf/Sand - OTR Tire | B |
| | 4520674 | 4 | Pneumatic Turf/Sand - Galaxy Tire | A |
| | 1001097374 | 2 | Foam-Filled - OTR Tire (Right Side) | D |
| | 1001097373 | 2 | Foam-Filled - OTR Tire (Left Side) | D |
| | 4520340 | 2 | Foam-Filled - OTR Tire (Non-Marking) (Right Side) | B |
| | 4520339 | 2 | Foam-Filled - OTR Tire (Non-Marking) (Left Side) | B |
| | | Ref | China Built Machines (SN B300000100 through B300000969) | |
| | 1001097358 | 2 | Pneumatic - OTR Tire (Right Side) | C |
| | 1001097357 | 2 | Pneumatic - OTR Tire (Left Side) | C |
| | 1001097374 | 2 | Foam-Filled - OTR Tire (Right Side) | D |
| | 1001097373 | 2 | Foam-Filled - OTR Tire (Left Side) | D |
| | | Ref | Note: Assemblies may require ballast/foam filling to manufacturer's specifications prior to installing on a machine. Refer to Operation and Safety or Service and Maintenance Manuals. Purchase individual tire and/ or rim only if able to foam fill tire and wheel assembly, otherwise, purchase complete assembly. | |
| 101 | 4520258 | 4 | Tire 15 x 19.5 (1 Per Assembly) (USA Built Machines) (SN 0300087000 through 0300138401) | |
| 101 | 1001097351 | 4 | Tire 39 x 15-22.5 (1 Per Assembly) (USA Built Machines) (SN 0300138402 through 0300171769) | |
| 101 | 1001097351 | 4 | Tire 39 x 15-22.5 (1 Per Assembly) (China Built Machines) (SN B300000100 to Present) | |
| 101 | 4520356 | 4 | Tire 18 x 625 - Turf/Sand (1 Per Assembly) | |
| 101 | 4520256 | 4 | Tire 41/18LL x 22.5 - Turf/Sand (1 Per Assembly) | |
| 102 | 4860243 | 4 | Rim, Wheel (1 Per Assembly) (USA Built Machines) (SN 0300087000 through 0300138401) | |

SECTION 1 - FRAME

| ITEM | PART NUMBER | QTY | DESCRIPTION | REV |
|------|-------------|-----|--|-----|
| 102 | 1001097348 | 4 | Rim, Wheel (1 Per Assembly) (USA Built Machines) (SN 0300138402 through 0300171769) | |
| 102 | 1001097348 | 4 | Rim, Wheel (1 Per Assembly) (China Built Machines) (SN B300000100 through B300000969) | |
| 102 | 4520355 | 4 | Rim, Wheel - Turf/Sand 24.5 x 15 (1 Per Assembly) | |
| 102 | 4520672 | 4 | Rim, Wheel - Turf/Sand 22.5 x 14 (1 Per Assembly) | |
| 103 | 4640113 | 4 | Valve, Air (1 Per Assembly) | |
| 104 | 1702701 | 4 | Decal - 95 PSI | |
| 104 | 1706846 | 4 | Decal - 75 PSI (Turf/Sand Tires 18 x 625 Only) (was Decal - 60 PSI p/n 1702137) | |
| 104 | 1701643 | 4 | Decal - 70 PSI (Turf/Sand Tires 41/18LL x 22.5 Only) | |
| 105 | 1705364 | AR | Decal - Tire Sealant (With Sealant Only) | |
| 106 | 1300019 | AR | Chemical, Tire Sealant (Green) (With Sealant Only) | |
| 107 | 1120552 | AR | Cap, Valve Stem (Green) (With Sealant Only) | |

SECTION 1 - FRAME

FIGURE 1-5. DRIVE HUB ASSEMBLY



SECTION 1 - FRAME

FIGURE 1-5. DRIVE HUB ASSEMBLY

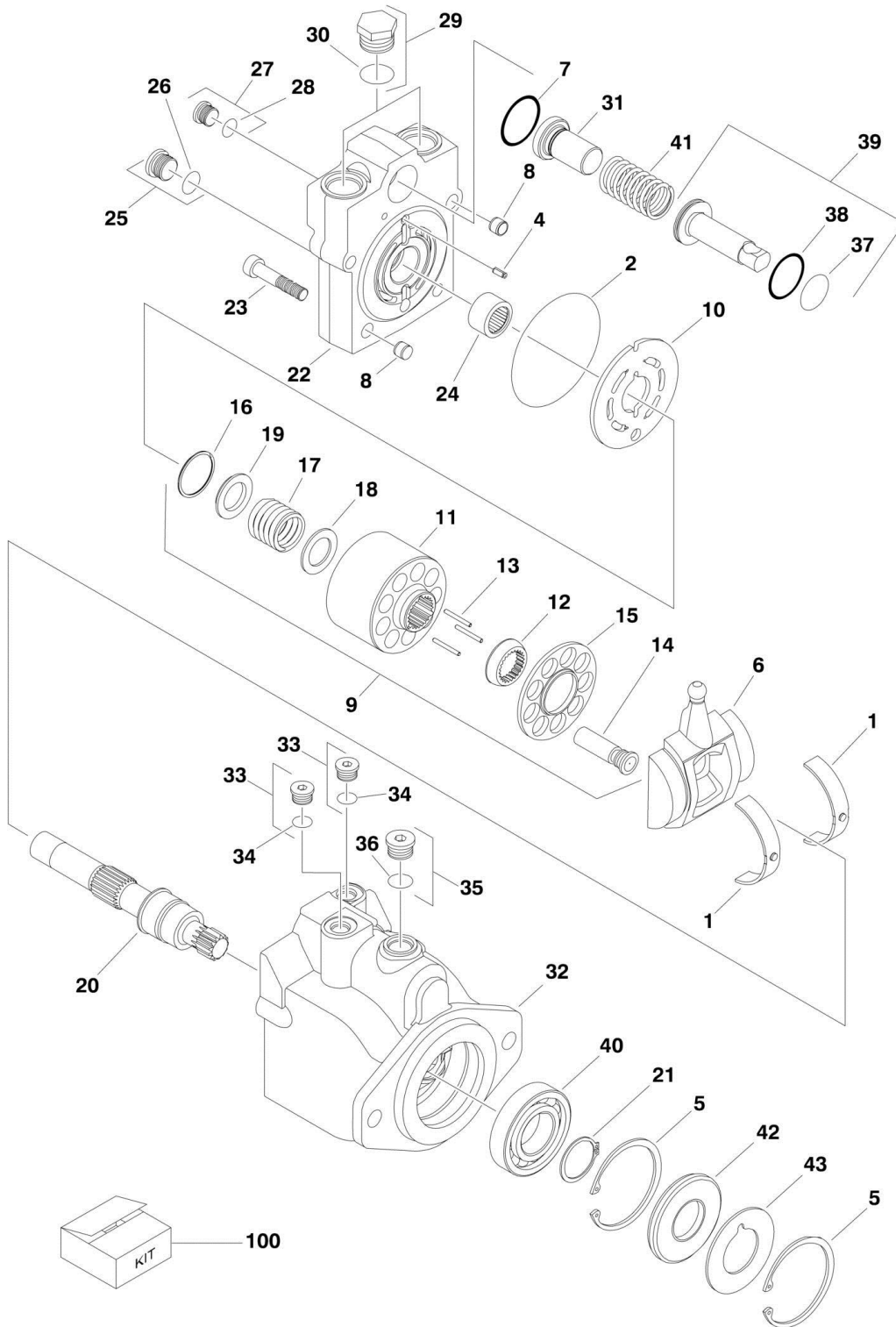
| ITEM | PART NUMBER | QTY | DESCRIPTION | REV |
|------|-------------|-----|---|-----|
| | 2780269 | Ref | DRIVE HUB/BRAKE ASSEMBLY | E |
| 1 | See Note | NSS | Spindle/Housing Assembly (Note: Use p/n 2780269 Complete Replacement. See 1A-1M for Available Components) | |
| 1A | 7024729 | 1 | Spindle | |
| 1B | 70001119 | 1 | Seal | |
| 1C | 7024735 | 2 | Bearing (Includes Cup and Cone) | |
| 1D | 2780269 | 1 | Housing (Note: Not Available for Purchase) | |
| 1E | 7024730 | 1 | Ring, Gear | |
| 1F | See Note | NSS | Nut, Bearing (Note: Use Item 100A) | |
| 1G | See Note | NSS | Setscrew 1/4in-28NF x 1/2in (Note: Use Item 100A,100B,101A or 101B) | |
| 1H | 7024732 | 9 | Stud, Wheel | |
| 1K | 7024125 | 1 | Ring, Retaining | |
| 1L | 7024124 | 1 | Spring | |
| 1M | 7024129 | 1 | Thrustwasher | |
| 2 | 7024741 | 1 | Thrustwasher | |
| 3 | See Note | NSS | Carrier Assembly (Note: Not Available for Purchase. See 3A-3F for Available Components) | |
| 3A | 7024725 | 1 | Carrier | |
| 3B | 7024127 | 6 | Thrustwasher | |
| 3C | 7024733 | 42 | Bearing, Needle | |
| 3E | 7024724 | 3 | Shaft, Planet | |
| 3F | 7024727 | 3 | Gear, Planet | |
| 4 | See Note | NSS | Planet Gear Sub-Assembly (Note: Not Available for Purchase. See 4A-4H for Available Components) | |
| 4B | 7024740 | 12 | Thrustwasher | |
| 4C | 7024734 | 84 | Bearing, Needle | |
| 4D | 7024736 | 3 | Spacer, Thrust | |
| 4E | 7024726 | 3 | Shaft, Planet | |
| 4F | 7024728 | 3 | Gear, Planet | |
| 4G | 7001913 | 6 | Rollpin | |
| 4H | 7024742 | 1 | Thrustwasher | |
| 5 | 7017027 | 1 | Ring, Retaining | |
| 6 | See Note | NSS | Cover Assembly (Note: Not Available for Purchase. See 6A-6G for Available Components) | |
| 6A | 7024731 | 1 | Plate, Cover | |
| 6B | 7017093 | 1 | Cap, Disengage | |
| 6C | 7000216 | 2 | Bolt 1/2in-20NC x 1/2in | |
| 6D | 7024739 | 1 | Pin, Dowel | |
| 6E | 7017095 | 1 | O-Ring | |
| 6F | 7017072 | 2 | Plug, Pipe | |
| 6G | 7024738 | 1 | Ring, Retaining | |
| 7 | 7024722 | 1 | Coupling | |
| 8 | See Note | NSS | Brake, Input (Note: Not Available for Purchase. See 8A-8L for Available Components) | |
| 8A | 70000782 | 1 | Piston, Brake | |
| 8B | 7024743 | 1 | Plate, Pressure | |
| 8C | See Note | NSS | Ring, Retaining (Note: Use Item 101A or 101B) | |
| 8D | See Note | NSS | O-Ring (Note: Use Item 100B or 101A) | |
| 8E | See Note | NSS | Ring, Back-up (Note: Use Item 100B or 101A) | |
| 8F | See Note | NSS | O-Ring (Note: Use Item 100B or 101A) | |

SECTION 1 - FRAME

| ITEM | PART NUMBER | QTY | DESCRIPTION | REV |
|------|-------------|-----|---|-----|
| 8H | See Note | NSS | Ring, Back-up (Note: Use Item 100B or 101A) | |
| 8J | See Note | NSS | Rotor, Brake (Note: Use Item 101A) | |
| 8K | See Note | NSS | Stator, Brake (Note: Use Item 101A) | |
| 8L | See Note | NSS | Spring, Brake (Note: Use Item 101B) | |
| 9 | 7024721 | 1 | Shaft, Input | |
| 11 | 7024723 | 1 | Gear, Sun | |
| 12 | See Note | NSS | Plug (Note: Not Available - Purchase Locally) | |
| 15 | See Note | NSS | Plate, ID (Not Shown) (Note: Not Available for Purchase) | |
| 16 | 7000281 | 4 | Screw, Drive | |
| 17 | 7024134 | 1 | O-Ring | |
| 18 | See Note | NSS | O-Ring (Note: Use Item 100A) | |
| 19 | 7017022 | 3 | Screw, Countersunk 3/8in-16NC | |
| 20 | 7024737 | 1 | Ring, Retaining | |
| 21 | See Note | NSS | Plug (Note: Not Available - Purchase Locally) | |
| 100 | | Ref | Seal Kit Options: | |
| 100A | 7024744 | 1 | Hub Seal Kit (Includes Items 1B, 1F, 1G, 17, 18 & 19) | |
| 100B | 7024765 | 1 | Brake Seal Kit (Includes Items 1G, 8C, 8D, 8E, 8F & 8H) | |
| 101 | | Ref | Repair Kit Options: | |
| 101A | 7024764 | 1 | Brake Lining Kit (Includes Items 1G, 8C, 8D, 8F, 8E, 8H, 8J & 8K) | |
| 101B | 7024766 | 1 | Brake Spring Kit (Includes Items 1G, 8C & 8L) | |

SECTION 1 - FRAME

FIGURE 1-6. DRIVE MOTOR ASSEMBLY (USA BUILT MACHINES) (SN 0300087000 through 0300098764)



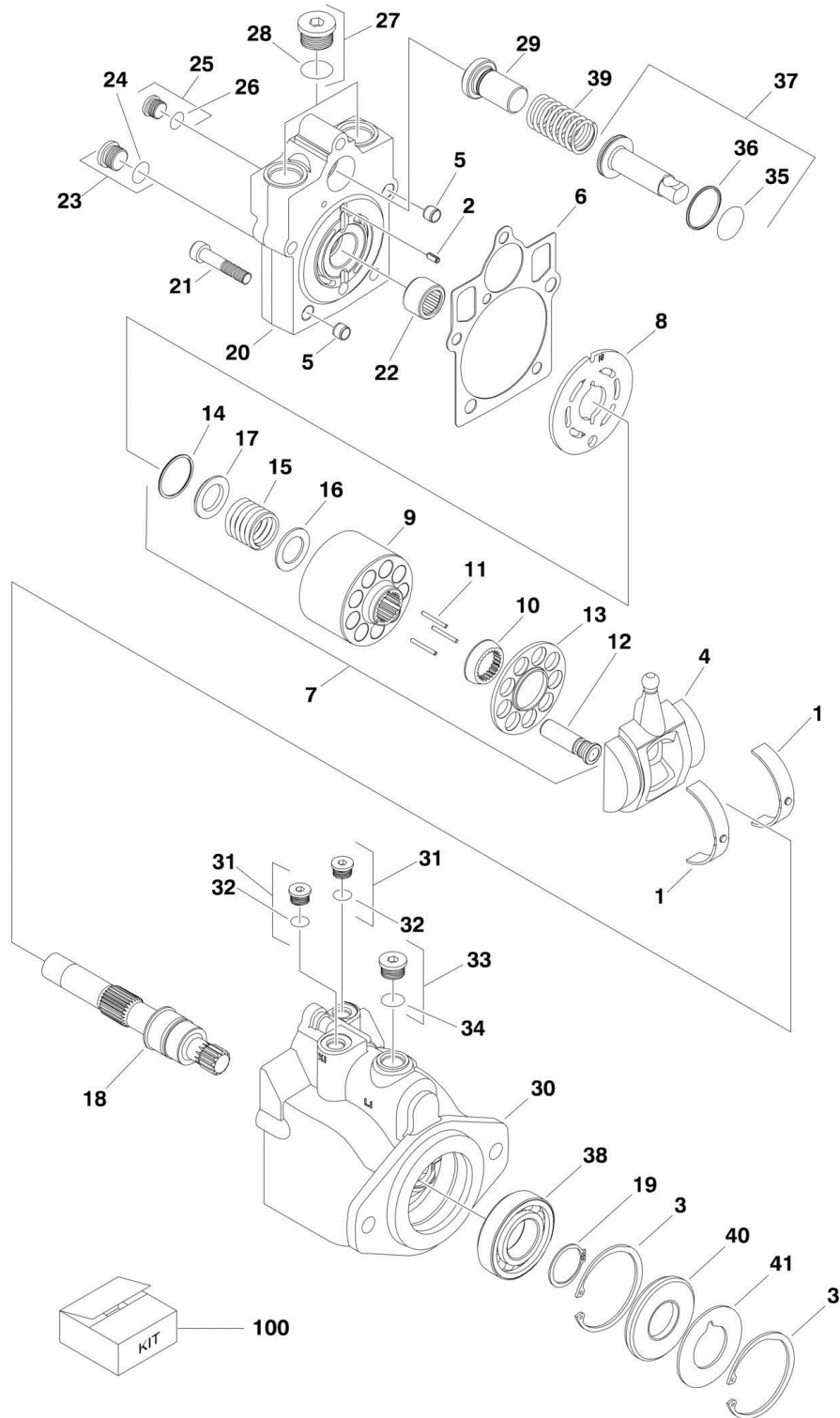
SECTION 1 - FRAME

FIGURE 1-6. DRIVE MOTOR ASSEMBLY (USA BUILT MACHINES) (SN 0300087000 through 0300098764)

| ITEM | PART NUMBER | QTY | DESCRIPTION | REV |
|------|-------------|-----|--|-----|
| | | Ref | DRIVE MOTOR ASSEMBLY | |
| | 3160299 | Ref | Drive Motor Assembly 2WD/2WS | E |
| | 3160300 | Ref | Drive Motor Assembly 2WD/4WS, 4WD/2WS & 4WD/4WS | E |
| 1 | 7022302 | 2 | Bearing, Journal | |
| 2 | See Note | NSS | O-Ring (Note: Use Item 100) | |
| 3 | See Note | NSS | O-Ring (Note: Use Item 100) | |
| 4 | 7007446 | 1 | Pin | |
| 5 | 7007438 | 2 | Ring, Retaining | |
| 6 | 7024861 | 1 | Swash Plate | |
| 7 | See Note | NSS | O-Ring (Note: Use Item 100) | |
| 8 | 7007435 | 2 | Pin | |
| 9 | 7022320 | 1 | Cylinder Block Kit (Includes Items 11-19) | |
| 10 | 7024862 | 1 | Plate, Valve | |
| 11 | 7024863 | 1 | Block, Cylinder | |
| 12 | 7024864 | 1 | Guide, Slipper Retainer | |
| 13 | 7021275 | 3 | Pin, Slipper Hold Down | |
| 14 | 7024865 | 9 | Piston Assembly | |
| 15 | 7024866 | 1 | Retainer, Slipper | |
| 16 | 7022311 | 1 | Ring, Retaining | |
| 17 | 7024867 | 1 | Spring | |
| 18 | 7024868 | 1 | Washer | |
| 19 | 7022314 | 1 | Retainer, Spring | |
| 20 | 7023910 | 1 | Shaft | |
| 21 | 7007439 | 1 | Ring, Retaining | |
| 22 | 7024869 | 1 | Cap, End - Axial | |
| 23 | 7022368 | 4 | Screw | |
| 24 | 7021249 | 1 | Bearing, Needle | |
| 25 | 7022321 | 1 | Plug (Includes Item 26) | |
| 26 | See Note | NSS | O-Ring (Note: Use Item 25 or 100) | |
| 27 | 7022318 | 1 | Plug (Includes Item 28) | |
| 28 | See Note | NSS | O-Ring (Note: Use Item 27 or 100) | |
| 29 | 7027419 | 2 | Plug (Includes Item 30) | |
| 30 | See Note | NSS | O-Ring (Note: Use Item 29 or 100) | |
| 31 | | Ref | Seat, Spring Options: | |
| 31 | 7024853 | 1 | Seat, Spring 2WD/2WS | |
| 31 | 7022372 | 1 | Seat, Spring 2WD/4WS, 4WD/2WS & 4WD/4WS | |
| 32 | 7022370 | 1 | Housing | |
| 33 | 7022318 | 2 | Plug (Includes Item 34) | |
| 34 | See Note | NSS | O-Ring (Note: Use Item 33 or 100) | |
| 35 | 7022321 | 1 | Plug (Includes Item 36) | |
| 36 | See Note | NSS | O-Ring (Note: Use Item 35 or 100) | |
| 37 | See Note | NSS | O-Ring (Note: Use Item 100) | |
| 38 | See Note | NSS | Ring, Seal (Note: Use Item 100) | |
| 39 | 7024871 | 1 | Piston, Servo | |
| 40 | 7007437 | 1 | Bearing | |
| 41 | 7022326 | 1 | Spring | |
| 42 | See Note | NSS | Seal, Lip (Note: Use Item 100) | |
| 43 | 7022371 | 1 | Washer, Support | |
| 100 | 7022328 | 1 | Seal Kit (Includes Items 2, 3, 7, 26, 28, 30, 34, 36, 37, 38 & 42) | |

SECTION 1 - FRAME

FIGURE 1-7. DRIVE MOTOR ASSEMBLY (USA BUILT MACHINES AND CHINA BUILT MACHINES) (SN 0300098765 through 0300171769, SN B300000100 through B300000969)



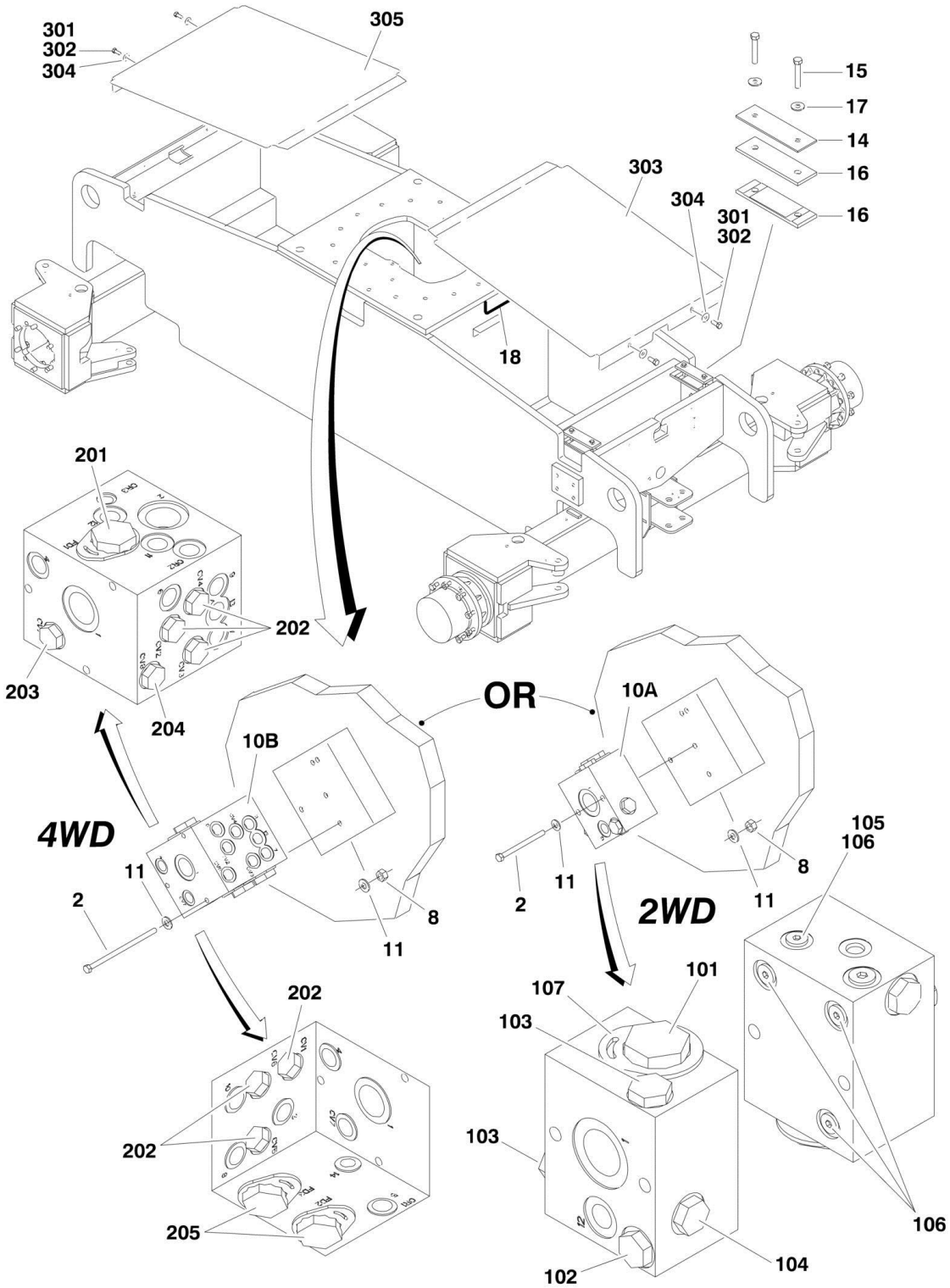
SECTION 1 - FRAME

FIGURE 1-7. DRIVE MOTOR ASSEMBLY (USA BUILT MACHINES AND CHINA BUILT MACHINES) (SN 0300098765 through 0300171769, SN B300000100 through B300000969)

| ITEM | PART NUMBER | QTY | DESCRIPTION | REV |
|------|-------------|-----|--|-----|
| | | Ref | DRIVE MOTOR ASSEMBLY | |
| | 3160349 | Ref | Drive Motor Assembly 2WD | B |
| | 3160350 | Ref | Drive Motor Assembly 4WD | B |
| 1 | 7022302 | 2 | Bearing, Journal | |
| 2 | 7007446 | 1 | Pin | |
| 3 | 7007438 | 2 | Ring, Retaining | |
| 4 | 70000794 | 1 | Swash Plate | |
| 5 | See Note | NSS | Pin (Note: Not Available for Purchase) | |
| 6 | See Note | NSS | Gasket (Note: Use Item 100) | |
| 7 | 7027740 | 1 | Cylinder Block Kit (Includes Items 9-17) | |
| 8 | 7024862 | 1 | Plate, Valve | |
| 9 | See Note | NSS | Block, Cylinder (Note: Use Item 7) | |
| 10 | See Note | NSS | Guide, Slipper Retainer (Note: Use Item 7) | |
| 11 | 7021275 | 3 | Pin, Slipper Hold Down | |
| 12 | 7024865 | 9 | Piston Assembly | |
| 13 | See Note | NSS | Retainer, Slipper (Note: Use Item 7) | |
| 14 | 7022311 | 1 | Ring, Retaining | |
| 15 | 7024867 | 1 | Spring | |
| 16 | 7022313 | 1 | Washer | |
| 17 | 7022314 | 1 | Retainer, Spring | |
| 18 | 7023910 | 1 | Shaft | |
| 19 | 7007439 | 1 | Ring, Retaining | |
| 20 | 70000795 | 1 | Cap, End - Axial | |
| 21 | 7022368 | 5 | Screw | |
| 22 | 7021249 | 1 | Bearing, Needle | |
| 23 | 2220886 | 1 | Plug (Includes Item 24) | |
| 24 | See Note | NSS | O-Ring (Note: Use Item 23 or 100) | |
| 25 | 2220883 | 1 | Plug (Includes Item 26) | |
| 26 | See Note | NSS | O-Ring (Note: Use Item 25 or 100) | |
| 27 | 7027419 | 2 | Plug (Includes Item 28) | |
| 28 | See Note | NSS | O-Ring (Note: Use Item 27 or 100) | |
| 29 | | Ref | Seat, Spring Options: | |
| 29 | 7024853 | 1 | Seat, Spring 2WD/2WS | |
| 29 | 7022372 | 1 | Seat, Spring 2WD/4WS, 4WD/2WS & 4WD/4WS | |
| 30 | See Note | NSS | Housing (Note: Not Available - Purchase Complete Drive Motor Assembly) | |
| 31 | 2220883 | 2 | Plug (Items Item 32) | |
| 32 | See Note | NSS | O-Ring (Note: Use Item 31 or 100) | |
| 33 | 2220886 | 1 | Plug (Items Item 34) | |
| 34 | See Note | NSS | O-Ring (Note: Use Item 33 or 100) | |
| 35 | See Note | NSS | O-Ring (Note: Use Item 100) | |
| 36 | See Note | NSS | Ring, Seal (Note: Use Item 100) | |
| 37 | 7024871 | 1 | Piston, Servo | |
| 38 | 7007437 | 1 | Bearing | |
| 39 | 7022326 | 1 | Spring | |
| 40 | See Note | NSS | Seal, Lip (Note: Use Item 100) | |
| 41 | 7022371 | 1 | Washer, Support | |
| 100 | 7022328 | 1 | Seal Kit (Includes Items 6, 24, 26, 28, 32, 34, 35, 36 & 40) | |

SECTION 1 - FRAME

FIGURE 1-8. DRIVE VALVES AND SHIELDS INSTALLATION (FRAME MOUNTED)



SECTION 1 - FRAME

FIGURE 1-8. DRIVE VALVES AND SHIELDS INSTALLATION (FRAME MOUNTED)

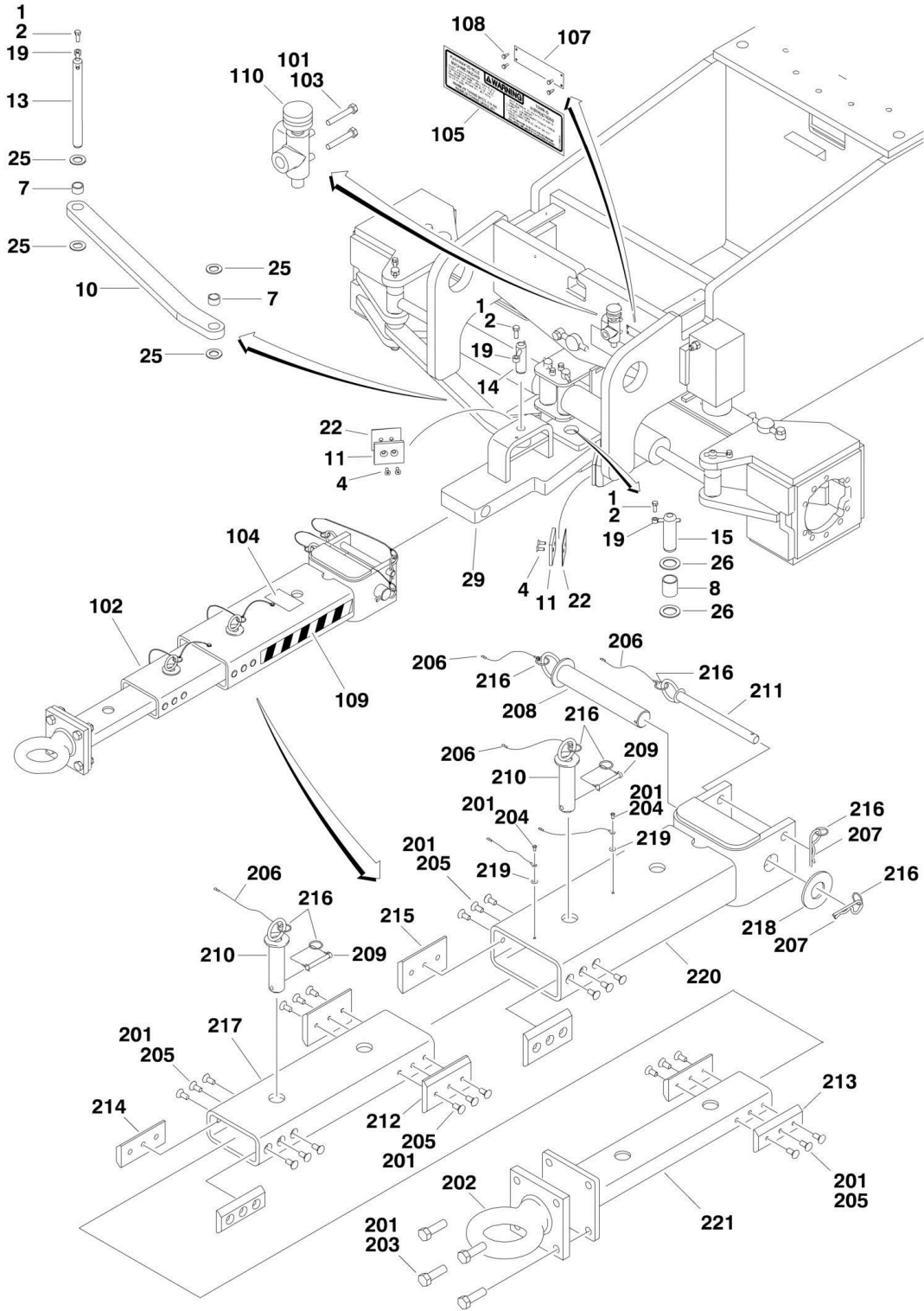
| ITEM | PART NUMBER | QTY | DESCRIPTION | REV |
|------|--------------|-------------|--|-----|
| | | Ref | DRIVE VALVES INSTALLATION OPTIONS: | |
| | 0273049 | Ref | Drive Valves Installation 2WD/2WS | I |
| | 0273367 | Ref | Drive Valves Installation 2WD/4WS | A |
| | 0273048 | Ref | Drive Valves Installation 4WD/2WS | K |
| | 0273366 | Ref | Drive Valves Installation 4WD/4WS | I |
| 2 | | Ref | Bolt 5/16in-18NC Options: | |
| 2 | 0641532 | 2 | 4in Length (2WD) | |
| 2 | 0641552 | 3 | 6-1/2in Length (4WD) | |
| 8 | 3311505 | AR | Locknut 5/16in-18NC | |
| 10 | | Ref | Flow Divider Valve Assembly Options: | |
| 10A | | Ref | 2WD (See Items 101-107 for Breakdown) Options: | |
| 10A | 4641409 | NLA | USA Built Machines (Use p/n 1001100120) (SN 0300087000 through 0300140853) | |
| 10A | 1001100120 | 1 | USA Built Machines (SN 0300140854 through 0300171769) | |
| 10B | 4641410 | 1 | 4WD (See Items 201-207 for Breakdown) | |
| 10B | 4641410 | NLA | USA Built Machines (Use p/n 1001098503) (SN 0300087000 through 0300142840) | |
| 10B | 1001098503 | 1 | USA Built Machines (SN 0300142841 through 0300171769) | |
| 10B | 1001098503 | 1 | China Built Machines | |
| 11 | 4711500 | AR | Flatwasher 5/16in Thin | |
| 14 | | Ref | Bar, Clamping | |
| 14 | Not Required | 0 | Bar, Clamping 2WD/2WS | |
| 14 | 0363012 | 2 | Bar, Clamping 2WD/2WS, 4WD/2WS & 4WD/4WS | |
| 15 | 0641618 | 4 | Bolt 3/8in-16NC x 2-1/4in | |
| 16 | 3340911 | 4 | Rubber, Clamp | |
| 17 | 4751600 | 4 | Flatwasher 3/8in Regular | |
| 18 | 4060807 | 13 in /33cm | Flex-Trim (USA Built Machines) (Use p/n 4060808) (SN 0300129689 through 0300171769) | |
| 18 | 4060807 | 13 in /33cm | Flex-Trim (China Built Machines) (Use p/n 4060808) (Including B300000100) | |
| | | Ref | FLOW DIVIDER ASSEMBLIES (2WD) | |
| | 4641409 | Ref | USA Built Machines (SN 0300087000 through 0300140853) | B |
| | 1001100120 | Ref | USA Built Machines (SN 0300140854 through 0300171769) | A |
| 101 | 7023933 | 1 | Valve, Cartridge (Flow Divider) | |
| 101 | 7021625 | 1 | Seal Kit - Flow Divider Cartridge | |
| 102 | 7024892 | 1 | Valve, Cartridge (Check) | |
| 102 | 7023936 | 1 | Seal Kit - Check Cartridge | |
| 103 | 7022397 | 2 | Valve, Cartridge (Check) | |
| 103 | 7022399 | 2 | Seal Kit - Check Cartridge | |
| 104 | 7023935 | 1 | Valve, Cartridge (Check) | |
| 104 | 7023936 | 1 | Seal Kit - Check Cartridge | |
| 105 | 70002063 | 1 | Orifice (SN 0300140854 through 0300171769) | |
| 106 | 7017406 | 4 | Plug (SN 0300140854 through 0300171769) | |
| 107 | 70000781 | 1 | Lock Down Kit (SN 0300140854 through 0300171769) | |
| | | Ref | FLOW DIVIDER ASSEMBLIES (4WD) | |
| | 4641410 | Ref | USA Built Machines (SN 0300087000 through 0300142840) | B |
| | 1001098503 | Ref | USA Built Machines (SN 0300142841 through 0300171769) | A |
| | 1001098503 | Ref | All China Built Machines | A |
| 201 | 7023933 | 1 | Valve, Cartridge (Flow Divider) | |
| 201 | 7021625 | 1 | Seal Kit - Flow Divider Cartridge | |

SECTION 1 - FRAME

| ITEM | PART NUMBER | QTY | DESCRIPTION | REV |
|------|--------------|-----|---|-----|
| 202 | 7022397 | 6 | Valve, Cartridge (Check) (Used with p/n 4641410) | |
| 202 | 70003408 | 6 | Valve, Cartridge (Check) (Used with p/n 1001098503) | |
| 202 | 7022399 | 6 | Seal Kit - Check Cartridge | |
| 203 | 7023935 | 1 | Valve, Cartridge (Check) | |
| 203 | 7023936 | 1 | Seal Kit - Check Cartridge | |
| 204 | 7024892 | 1 | Valve, Cartridge (Check) | |
| 204 | 7023936 | 1 | Seal Kit - Check Cartridge | |
| 205 | 7023917 | 2 | Valve, Cartridge (Flow Divider) | |
| 205 | 7021625 | 2 | Seal Kit - Flow Divider Cartridge | |
| 206 | 70002063 | 1 | Plug, Orifice | |
| 207 | 70002064 | 2 | Plug, Orifice | |
| | | Ref | FRAME SHIELDS INSTALLATION | |
| | 0273067 | Ref | 2WS | A |
| | 0273362 | Ref | 4WS | A |
| 301 | 0100011 | AR | Compound, Locking | |
| 302 | 0641607 | AR | Bolt, 3/8in - 16NC x 7/8in | |
| 303 | 4061058 | 1 | Shield, Frame - Front | |
| 304 | 4751600 | AR | Flatwasher, 3/8in Regular | |
| 305 | | Ref | Shield, Frame - Rear | |
| 305 | Not Required | 0 | 2WS | |
| 305 | 4061058 | 1 | 4WS | |

SECTION 1 - FRAME

FIGURE 1-9. TOW PACKAGE INSTALLATION (OPTIONAL)



SECTION 1 - FRAME

FIGURE 1-9. TOW PACKAGE INSTALLATION (OPTIONAL)

| ITEM | PART NUMBER | QTY | DESCRIPTION | REV |
|------|--------------|-----------|--|-----|
| | | Ref | TOW PACKAGE INSTALLATION | |
| | 0273422 | Ref | Tow Package Installation 2WD | A |
| | 0273394 | Ref | Tow Package Installation 4WD | D |
| 1 | 0100011 | AR | Compound, Locking | |
| 2 | 0641608 | 3 | Bolt 3/8in-16NC x 1in | |
| 4 | 0741607 | 4 | Screw, Countersunk 3/8in-16NC x 7/8in | |
| 7 | 0962292 | 2 | Bearing | |
| 8 | 0962348 | 1 | Bearing | |
| 10 | 3010125 | 1 | Link, Steer | |
| 11 | 3340966 | 2 | Pad, Stop | |
| 13 | 3422567 | 1 | Pin | |
| 14 | 3422813 | 1 | Pin | |
| 15 | 3422848 | 1 | Pin | |
| 19 | 3841143 | 3 | Keeper, Pin | |
| 22 | 4071059 | 2 | Shim | |
| 25 | 4740111 | 3 | Thrustwasher | |
| 26 | 4740155 | 2 | Thrustwasher | |
| 29 | 4846935 | 1 | Bar, Pivot | |
| | | Ref | TOW BAR INSTALLATION | |
| | 0273398 | Ref | ANSI Spec | B |
| | 0273448 | Ref | CSA Spec | A |
| | 0275619 | Ref | CE Spec | A |
| 101 | 0100011 | AR | Compound, Locking | |
| 102 | 0270528 | 1 | Bar Assembly (See Items 201-221 for Breakdown) | |
| 103 | 0641516 | 2 | Bolt 5/16in-18NC x 2in | |
| 104 | | Ref | Decal - Crushing Options: | |
| 104 | 1704578 | 2 | ANSI/CSA Spec | |
| 104 | 1706960 | 2 | CE Spec | |
| 105 | | Ref | Decal - Towing Instructions Options: | |
| 105 | 1705090 | 1 | ANSI Spec | |
| 105 | 1705820 | 1 | CSA Spec | |
| 105 | Not Required | 0 | CE Spec | |
| 107 | | Ref | Nameplate - Steer/Tow Select Valve Options: | |
| 107 | 3250872 | 1 | ANSI Spec | |
| 107 | 1704272 | 1 | CSA Spec | |
| 107 | 1706957 | 1 | CE Spec | |
| 108 | | Ref | Screw, Self-Tapping #6-32NF x 1/2in Options: | |
| 108 | 3940604 | 4 | ANSI/CSA Spec | |
| 108 | Not Required | 0 | CE Spec | |
| 109 | 4420051 | 2 ft/.61m | Tape, Safety | |
| 110 | 4640261 | 1 | Valve, Select | |
| | 0270528 | Ref | TOW BAR ASSEMBLY | A |
| 201 | 0100011 | AR | Compound, Locking | |
| 202 | 0362910 | 1 | Pintle, Draw Eye | |
| 203 | 0642010 | 4 | Bolt 5/8in-11NC x 1-1/4in | |
| 204 | 0721004 | 2 | Screw, Hex Machine | |
| 205 | 0741607 | 24 | Screw, Countersunk 3/8in-16NC x 7/8in | |
| 206 | 1060584 | 6 | Cable, Lanyard | |
| 207 | 3420372 | 2 | Pin, Cotter | |
| 208 | 3420447 | 1 | Pin, Towing | |

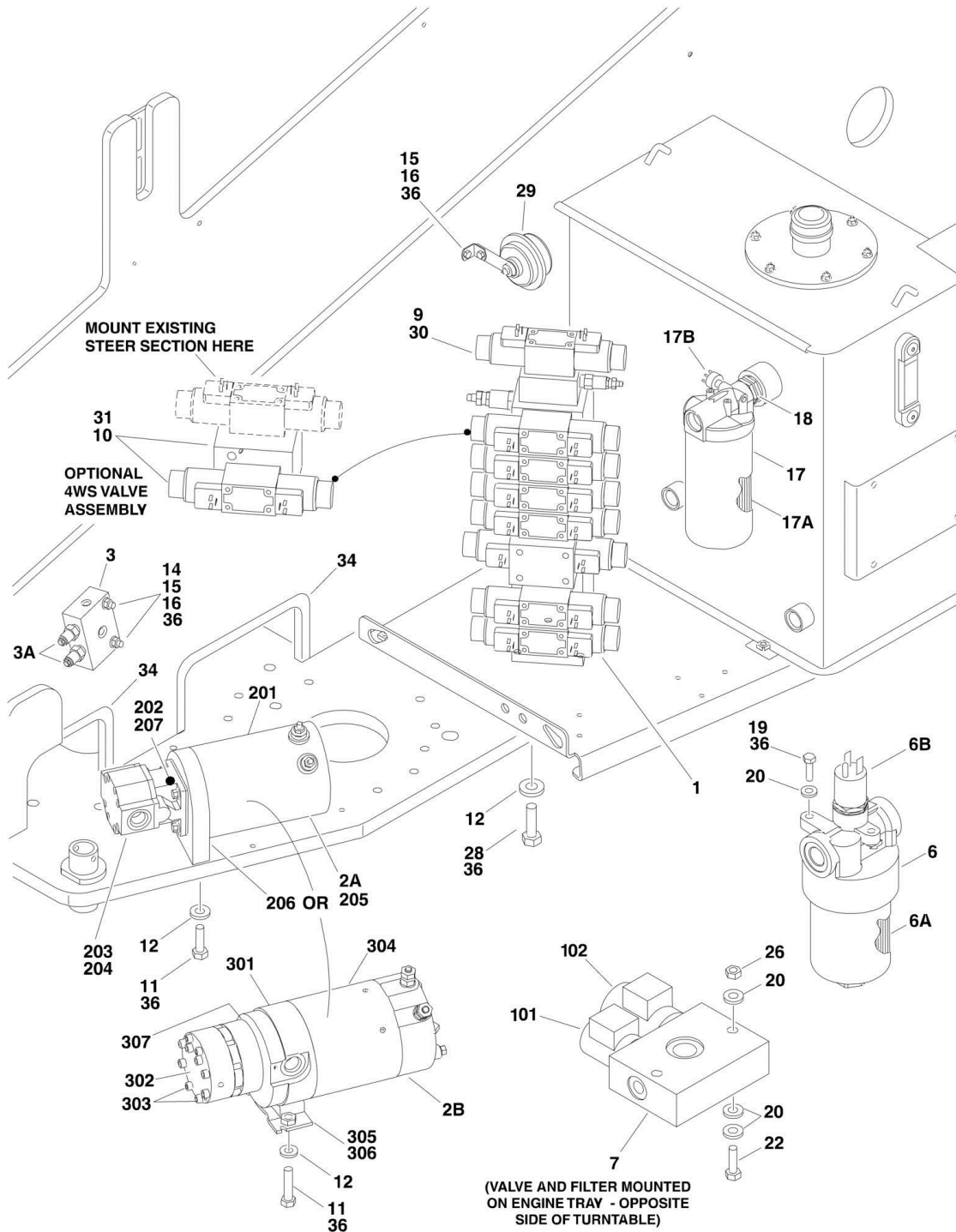
SECTION 1 - FRAME

| ITEM | PART NUMBER | QTY | DESCRIPTION | REV |
|------|-------------|-----|-------------------------|-----|
| 209 | 3421565 | 2 | Pin, Snap | |
| 210 | 3422841 | 2 | Pin | |
| 211 | 3422847 | 1 | Pin | |
| 212 | 3572009 | 2 | Plate, Slide Stop | |
| 213 | 3572010 | 2 | Plate, Slide Stop | |
| 214 | 3572011 | 2 | Plate, Slide Stop | |
| 215 | 3572012 | 2 | Plate, Slide Stop | |
| 216 | 3760170 | 8 | Ring, Split | |
| 217 | 4568133 | 1 | Tube, Tow Bar | |
| 218 | 4740036 | 1 | Flatwasher | |
| 219 | 4751000 | 2 | Flatwasher #10 Regular | |
| 220 | 4846295 | 1 | Tow Bar Attach Weldment | |
| 221 | 4846296 | 1 | Pintle Attach Weldment | |

SECTION 2 - TURNTABLE

SECTION 2 - TURNTABLE

FIGURE 2-1. CONTROL VALVES INSTALLATIONS



SECTION 2 - TURNTABLE

FIGURE 2-1. CONTROL VALVES INSTALLATIONS

| ITEM | PART NUMBER | QTY | DESCRIPTION | REV |
|------|--------------|-----|--|-----|
| | | Ref | VALVES INSTALLATIONS | |
| | | Ref | USA Built Machines (SN 0300087000 through 0300166418) | |
| | | Ref | China Built Machines (SN B300000100 through B300000699) | |
| | 0274316 | Ref | Valves Installations 600S (2WS) | B |
| | 0274317 | Ref | Valves Installations 600S (4WS) | B |
| | 0274318 | Ref | Valves Installations 600SJ (2WS) & 660SJ (2WS) | B |
| | 0274319 | Ref | Valves Installations 600SJ (4WS) & 660SJ (4WS) | B |
| | | Ref | USA Built Machines (SN 0300166419 through 0300171769) | |
| | | Ref | China Built Machines (SN B300000700 through B300000969) | |
| | 1001145279 | Ref | Valves Installations 600S (2WS) | A |
| | 1001145280 | Ref | Valves Installations 600S (4WS) | A |
| | 1001145281 | Ref | Valves Installations 600SJ (2WS) & 660SJ (2WS) | A |
| | 1001145282 | Ref | Valves Installations 600SJ (4WS) & 660SJ (4WS) | A |
| | 1001143365 | Ref | AUXILIARY PUMP INSTALLATION | A |
| 1 | | Ref | Main Control Valve Assembly Options (See MAIN CONTROL VALVE ASSEMBLY for Breakdown): | |
| 1 | 4641096 | 1 | USA Built Machines (SN 0300087000 through 0300092879) | |
| 1 | 4641451 | 1 | USA Built Machines (SN 0300092880 through 0300101768) | |
| 1 | 1001091303 | 1 | USA Built Machines (SN 0300101769 through 0300171769) | |
| 1 | 1001091303 | 1 | China Built Machines (SN B300000100 through B300000969) | |
| 2 | | Ref | Auxiliary Pump Assembly Options | |
| 2A | 3600365 | 1 | USA Built Machines (See Items 201-207 for Breakdown) (SN 0300087000 through 0300166418) | |
| 2A | 3600365 | 1 | China Built Machines (See Items 201-207 for Breakdown) (SN B300000100 through B300000699) | |
| 2B | 1001137458 | 1 | USA Built Machines (See Items 301-307 for Breakdown) (SN 0300166419 through 0300171769) | |
| 2B | 1001137458 | 1 | China Built Machines (See Items 301-307 for Breakdown) (SN B300000700 through B300000969) | |
| 3 | 4640908 | 1 | Counterbalance Valve Assembly (USA Built Machines) (SN 0300087000 through 0300137441) | |
| 3A | 7011328 | 2 | Cartridge, Counterbalance | |
| 3A | 2900770 | 2 | Seal, Kit - 7011328 Cartridge | |
| 6 | 2120209 | 1 | Hydraulic Pressure Filter Assembly | |
| 6A | 2120210 | 1 | Element, Filter | |
| 6B | 7020020 | 1 | Indicator, Clogged Filter | |
| 6C | 70000934 | 1 | O-Ring, Filter Bowl (Not Shown) | |
| 7 | | Ref | Valve Assembly (2 Speed/Brake) (See Items 101-103 for Breakdown) | |
| 7 | 4641108 | NLA | USA Built Machines (Use p/n 100109939) (SN 0300087000 through 0300139624) | |
| 7 | 1001099391 | 1 | USA Built Machines (SN 0300139625 through 0300171769) | |
| 7 | 1001099391 | 1 | China Built Machines (SN B300000100 through B300000969) | |
| 9 | | Ref | Valve Kit (Articulating Jib) Options: | |
| 9 | Not Required | 0 | Valve Kit 600S | |
| 9 | 4640921 | 1 | Valve Kit 600SJ & 660SJ (See ACCESSORY VALVE ASSEMBLY for Breakdown) | |
| 10 | | Ref | 4WS Valve Kit Options: | |
| 10 | Not Required | 0 | 2WS Machines | |
| 10 | 4640922 | 1 | 4WS Machines (See ACCESSORY VALVE ASSEMBLY for | |

SECTION 2 - TURNTABLE

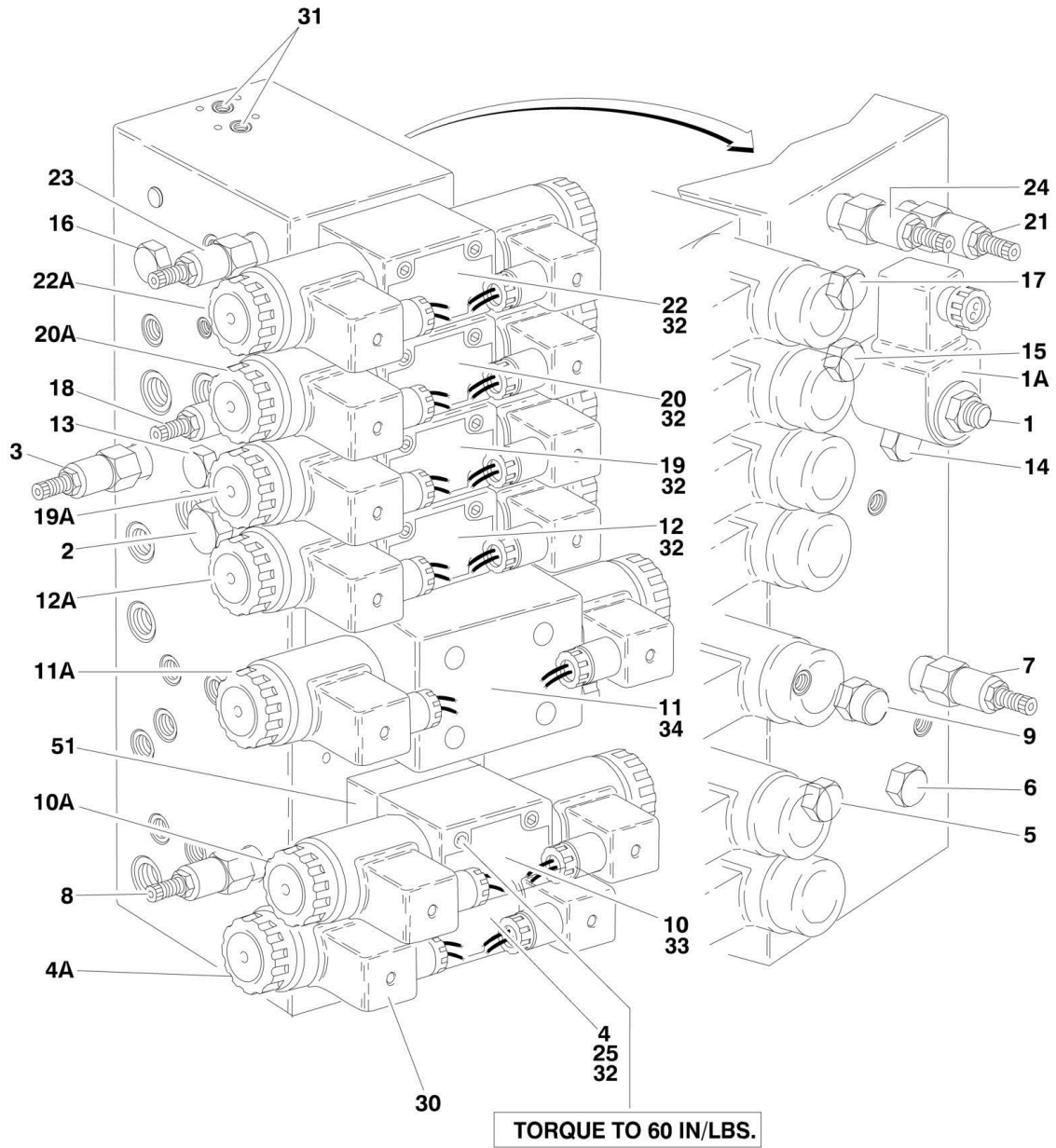
| ITEM | PART NUMBER | QTY | DESCRIPTION | REV |
|------|--------------|-----------|---|-----|
| | | | Breakdown) | |
| 11 | 0641613 | 2 | Bolt 3/8in-16NC x 1-5/8in | |
| 12 | 4711600 | 5 | Flatwasher 3/8in Thin | |
| 14 | 4891800 | AR | Flatwasher 1/2in Hardened (USA Built Machines) (SN 0300087000 through 0300137441) | |
| 15 | 4711500 | AR | Flatwasher 5/16in Thin | |
| 16 | 3311501 | AR | Nut 5/16in-18NC | |
| 17 | 2120164 | 1 | Return Filter Assembly | |
| 17A | 2120149 | 1 | Element, Filter | |
| 17B | 7020021 | 1 | Switch, Clog Indicator | |
| 18 | 2220893 | 1 | Fitting, Adapter (USA Built Machines) (SN 0300087000 through 0300166419) | |
| 18 | 2220893 | 1 | Fitting, Adapter (China Built Machines) (SN B300000100 through B300000700) | |
| 19 | 0651406 | 3 | Bolt 1/4in-28NF x 3/4in | |
| 20 | 4711400 | 17 | Flatwasher 1/4in Thin | |
| 22 | 0641416 | 2 | Bolt 1/4in-20NC x 2in | |
| 26 | 3311405 | 2 | Locknut 1/4in-20NC | |
| 28 | 0641608 | 3 | Bolt 3/8in-16NC x 1in | |
| 29 | 0140001 | 1 | Horn | |
| 30 | | Ref | Harness Assembly (Jib Control) Options (Not Shown - See ELECTRICAL SECTION for Breakdown): | |
| 30 | Not Required | 0 | Harness Assembly 600S | |
| 30 | 4921927 | 1 | Harness Assembly 600SJ & 660SJ | |
| 31 | | Ref | Harness Assembly (4WS Control) Options: (Not Shown - See ELECTRICAL SECTION for Breakdown): | |
| 31 | Not Required | 0 | 2WS Machines | |
| 31 | 4921928 | 1 | 4WS Machines | |
| 34 | 4060918 | 40 in/10m | Flex-Trim | |
| 36 | 0100011 | AR | Compound, Locking | |
| | | Ref | VALVE ASSEMBLY (DUAL SELECT BRAKE/2 SPEED) | |
| | | Ref | Note: Original Equipment Valve may have been replaced with Service Replacement Valve. Identify p/n stamped on valve before ordering parts. | |
| | 4641108 | Ref | USA Built Machines (Original Equipment) (SN 0300087000 through 0300139624) | C |
| | 1001099391 | Ref | USA Built Machines (Service Replacement) (SN 0300139625 through 0300171769) | A |
| | 1001099391 | Ref | China Built Machines (SN B300000100 through B300000969) | A |
| 101 | 7012941 | 1 | Cartridge without Coil | |
| 101 | 7010543 | 1 | Seal Kit - 7012941 Cartridge | |
| 101 | 7012944 | 1 | Coil | |
| 102 | 7012995 | 1 | Cartridge without Coil | |
| 102 | 7012518 | 1 | Seal Kit - 7012995 Cartridge | |
| 102 | 7012943 | 1 | Coil | |
| 103 | 70002209 | 1 | Plug, Orifice (Use with Valve Assembly - 1001099391) (Not Shown - Access to orifice is through port T) | |
| | 3600365 | Ref | AUXILIARY PUMP INSTALLATION (USA Built Machines) (SN 0300087000 through 0300166418) | B |
| | 3600365 | Ref | AUXILIARY PUMP INSTALLATION (China Built Machines) (SN B300000100 through B300000699) | B |
| 201 | 7004248 | 1 | Replacement Motor without Endhead | |
| 201 | 7004290 | 1 | Replacement Motor with Endhead (was p/n 7011067) | |
| 201 | 7011065 | 1 | Brush Kit | |

SECTION 2 - TURNTABLE

| ITEM | PART NUMBER | QTY | DESCRIPTION | REV |
|------|-------------|-----|--|-----|
| 202 | 7011063 | 1 | Coupling | |
| 203 | 7011064 | 1 | Replacement Pump | |
| 203 | 7011066 | 1 | Seal Kit | |
| 204 | 7011043 | 4 | Bolt (Pump to Endhead) | |
| 205 | See Note | NSS | Bolt (Motor to Endhead) (Note: Not Available for Purchase) | |
| 206 | 7011062 | 1 | Endhead | |
| 207 | 7011044 | 1 | Gasket (Pump p/n 3600365/3600379) | |
| | 1001137458 | Ref | AUXILIARY PUMP ASSEMBLY (USA Built Machines) (SN 0300166419 through 0300171769) | A |
| | 1001137458 | Ref | AUXILIARY PUMP ASSEMBLY (China Built Machines) (SN B300000700 through B300000969) | A |
| 301 | 70003995 | 1 | Base | |
| 302 | 70003996 | 1 | Pump | |
| 303 | 70003997 | 4 | Screw 1/4in-20NC x 3in | |
| 304 | 70003998 | 1 | Motor | |
| 305 | 70003999 | 1 | Bracket | |
| 306 | 70004000 | 2 | Screw 3/8in-16NC x 1in | |
| | 7026330 | 1 | Seal, Shaft | A |

SECTION 2 - TURNTABLE

FIGURE 2-2. MAIN CONTROL VALVE ASSEMBLY



SECTION 2 - TURNTABLE

FIGURE 2-2. MAIN CONTROL VALVE ASSEMBLY

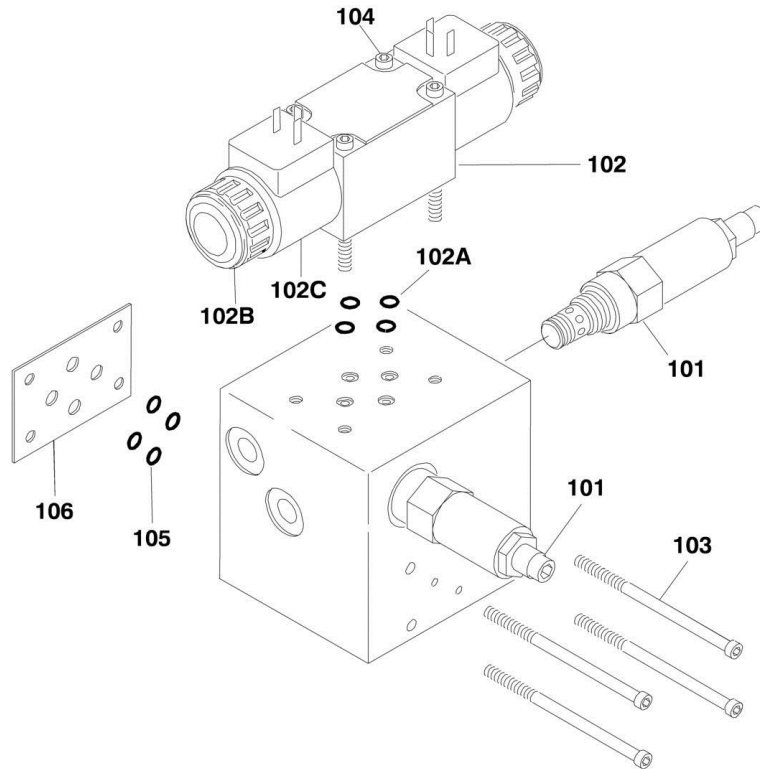
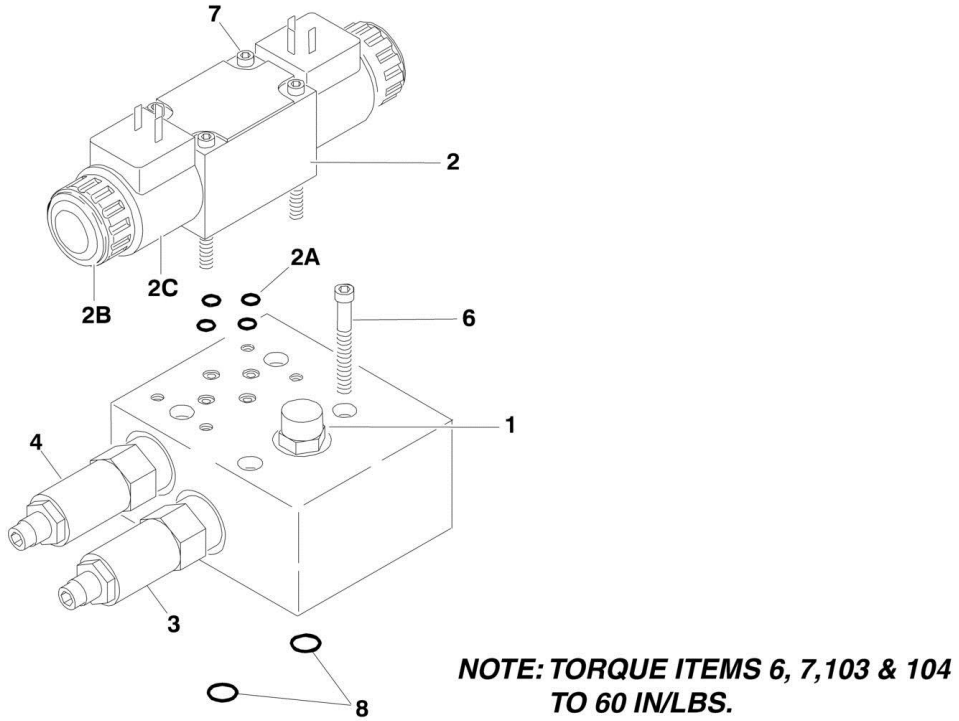
| ITEM | PART NUMBER | QTY | DESCRIPTION | REV |
|------|-------------|-----|---|-----|
| | | Ref | MAIN CONTROL VALVE ASSEMBLIES | |
| | 4641096 | Ref | USA Built Machines (SN 0300087000 through 0300092879) | C |
| | 4641451 | Ref | USA Built Machines (SN 0300092880 through 0300101768) | A |
| | 1001091303 | Ref | USA Built Machines (SN 0300101769 through 0300171769) | A |
| | 1001091303 | Ref | China Built Machines (SN B300000100 through B300000969) | A |
| 1 | 7017410 | 1 | Cartridge, Without Coil | |
| 1 | 7012967 | 1 | Seal Kit - 7017410 Cartridge | |
| 1A | 7012944 | 1 | Coil | |
| 2 | 7017464 | 1 | Cartridge, Pressure Sensing | |
| 2 | 7012518 | 1 | Seal Kit | |
| 3 | 7012912 | 1 | Cartridge (Main Relief) | |
| 3 | 7012998 | 1 | Seal Kit | |
| 4 | 70001976 | 1 | Control Valve Assembly (Platform Level) (was p/n 7012770) | |
| 4 | 7012773 | 1 | Seal Kit | |
| 4A | 7018991 | 2 | Coil | |
| 4A | 7018912 | 2 | Nut, Coil | |
| 5 | 7012914 | 1 | Cartridge, Check Valve | |
| 5 | 7012918 | 1 | Seal Kit - 7012914 Cartridge | |
| 6 | 7012914 | 1 | Cartridge, Check Valve | |
| 6 | 7012918 | 1 | Seal Kit - 7012914 Cartridge | |
| 7 | 7012912 | 1 | Cartridge, Relief Valve (Platform Level Backward) | |
| 7 | 7012998 | 1 | Seal Kit - 7012912 Cartridge | |
| 8 | 7012912 | 1 | Cartridge, Relief Valve (Platform Level Forward) | |
| 8 | 7012998 | 1 | Seal Kit - 7012912 Cartridge | |
| 9 | 7012989 | 1 | Cartridge, Flow Control | |
| 9 | 7012953 | 1 | Seal Kit - 7012989 Cartridge | |
| 10 | 70001976 | 1 | Control Valve Assembly (Platform Rotate) (was p/n 7012770) | |
| 10 | 7012773 | 1 | Seal Kit | |
| 10 | 7018986 | 4 | Capscrew #10 x 3-1/2 | |
| 10A | 7018991 | 2 | Coil | |
| 10A | 7018912 | 2 | Nut, Coil | |
| 11 | | Ref | Control Valve Assembly Options (Upper Tele): | |
| 11 | 70000579 | 1 | 4641096 Valve (was p/n 7012766) | |
| 11 | 70000579 | 1 | 4641451 & 1001091303 Valves | |
| | | Ref | Note: Refer to Vendor p/n on Valve Nameplate before ordering Parts. p/n 7012766 is RR00567495 or R900567495. p/n 70000579 is R900930080. | |
| 11 | | Ref | Seal Kit Options: | |
| 11 | 7012769 | 1 | 7012766 Valve | |
| 11 | 70000583 | 1 | 70000579 Valve | |
| 11 | 7018951 | 4 | Capscrew 1/4 x 1-1/2 | |
| 11A | | Ref | Coil Options: | |
| 11A | 7012772 | 1 | 7012766 Valve (was p/n 7012768) | |
| 11A | 70000582 | 1 | 70000579 Valve | |
| 11A | | Ref | Nut, Coil Options: | |
| 11A | 7018912 | 1 | 7012766 Valve | |
| 11A | 70000580 | 1 | 70000579 Valve | |
| 12 | 7012775 | 1 | Control Valve Assembly (Flow Control) | |
| 12 | 7012773 | 1 | Seal Kit | |
| 12 | 7018942 | 4 | Capscrew #10 x 2 | |

SECTION 2 - TURNTABLE

| ITEM | PART NUMBER | QTY | DESCRIPTION | REV |
|------|-------------|-----|---|-----|
| 12A | 7012772 | 2 | Coil | |
| 12A | 7018912 | 2 | Nut, Coil | |
| 12A | 7024015 | 2 | Pipe, Pole | |
| 13 | 7010542 | 1 | Cartridge, Shuttle | |
| 13 | 7010543 | 1 | Seal Kit - 7010542 Cartridge | |
| 14 | 7010542 | 1 | Cartridge, Shuttle | |
| 14 | 7010543 | 1 | Seal Kit - 7010542 Cartridge | |
| 15 | 7010542 | 1 | Cartridge, Shuttle | |
| 15 | 7010543 | 1 | Seal Kit - 7010542 Cartridge | |
| 16 | 7010542 | 1 | Cartridge, Shuttle | |
| 16 | 7010543 | 1 | Seal Kit - 7010542 Cartridge | |
| 17 | 7010542 | 1 | Cartridge, Shuttle | |
| 17 | 7010543 | 1 | Seal Kit - 7010542 Cartridge | |
| 18 | 7012912 | 1 | Cartridge, Relief Valve (Upper Lift Down) | |
| 18 | 7012998 | 1 | Seal Kit - 7012912 Cartridge | |
| 19 | 7012775 | 1 | Control Valve Assembly (Upper Lift) | |
| 19 | 7012773 | 1 | Seal Kit | |
| 19 | 7018942 | 4 | Capscrew #10 x 2 | |
| 19A | 7012772 | 2 | Coil | |
| 19A | 7018912 | 2 | Nut, Coil | |
| 19A | 7024015 | 2 | Pipe, Pole | |
| 20 | 7012775 | 1 | Control Valve Assembly (Swing) | |
| 20 | 7012773 | 1 | Seal Kit | |
| 20 | 7018942 | 4 | Capscrew #10 x 2 | |
| 20A | 7012772 | 2 | Coil | |
| 20A | 7018912 | 2 | Nut, Coil | |
| 20A | 7024015 | 2 | Pipe, Pole | |
| 21 | 7012912 | 1 | Cartridge, Relief Valve (Swing) | |
| 21 | 7012998 | 1 | Seal Kit - 7012912 Cartridge | |
| 22 | 7012774 | 1 | Control Valve Assembly (Steer) | |
| 22 | 7012773 | 1 | Seal Kit | |
| 22 | 7018942 | 4 | Capscrew #10 x 2 | |
| 22A | 7012772 | 2 | Coil | |
| 22A | 7018912 | 2 | Nut, Coil | |
| 22A | 7024014 | 2 | Pipe, Pole | |
| 23 | 7012912 | 1 | Cartridge, Relief Valve (Steer Left) | |
| 23 | 7012998 | 1 | Seal Kit - 7012912 Cartridge | |
| 24 | 7012912 | 1 | Cartridge, Relief Valve (Steer Right) | |
| 24 | 7012998 | 1 | Seal Kit - 7012912 Cartridge | |
| 25 | 7018941 | 2 | Orifice | |
| 30 | 4460499 | 15 | Connector, Din with Diode (Part of Valve Harness) | |
| 31 | 2220885 | 2 | Plug | |
| 32 | 7018942 | 20 | Capscrew 10-24x2 | |
| 33 | 7018986 | 4 | Capscrew 10-24x3-1/2 | |
| 34 | 7018951 | 4 | Capscrew 10-24x1-1/2 | |
| | 2901763 | Ref | ROTATE SANDWICH VALVE KIT | A |
| 51 | 7021310 | 1 | Block, Valve | |

SECTION 2 - TURNTABLE

FIGURE 2-3. ACCESSORY VALVE ASSEMBLY



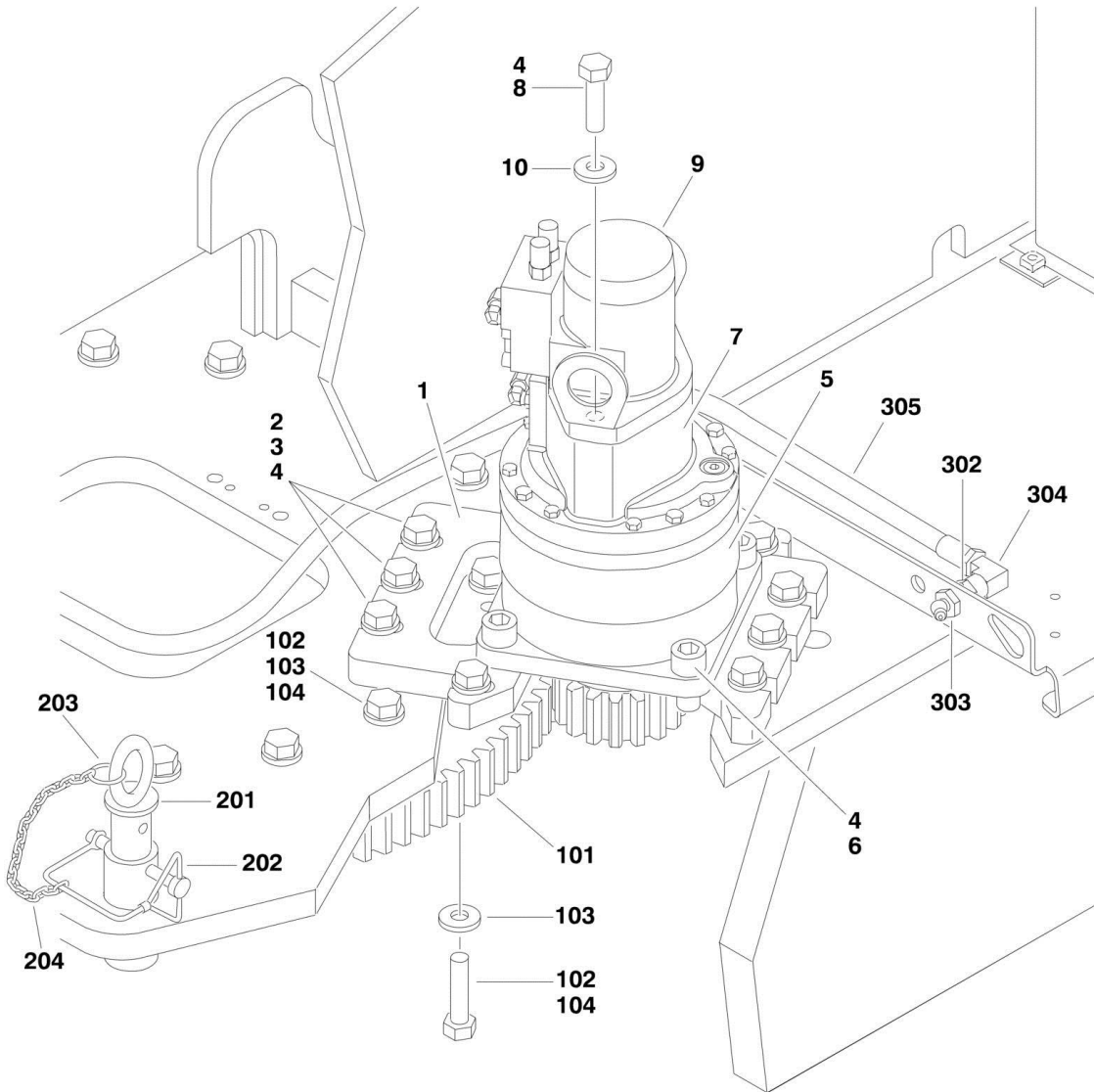
SECTION 2 - TURNTABLE

FIGURE 2-3. ACCESSORY VALVE ASSEMBLY

| ITEM | PART NUMBER | QTY | DESCRIPTION | REV |
|------|-------------|-----|--|-----|
| | | Ref | ACCESSORY VALVE ASSEMBLIES | |
| | 4640921 | Ref | ARTICULATING JIB VALVE ASSEMBLY | D |
| 1 | 7012965 | 1 | Cartridge, Flow Control | |
| 1 | 7012953 | 1 | Seal Kit - 7012965 Cartridge | |
| 2 | 70001976 | 1 | Directional Control Valve Assembly (was p/n 7012770) | |
| 2 | 7012773 | 1 | Seal Kit | |
| 2A | 7018945 | 4 | O-Ring | |
| 2B | 7018912 | 2 | Nut | |
| 2C | 7012772 | 2 | Coil | |
| 3 | 7017421 | 1 | Cartridge, Relief | |
| 3 | 7012998 | 1 | Seal Kit - 7017421 Cartridge | |
| 4 | 7017422 | 1 | Cartridge, Relief | |
| 4 | 7012998 | 1 | Seal Kit - 7017422 Cartridge | |
| 5 | 4460499 | 2 | Connector, DIN with Diode (Not Shown - Part of Valve Harness) | |
| 6 | 7012777 | 4 | Capscrew, Socket Head 5/16in-18NC x 2-1/4in (Used to Mount Valve Assembly) | |
| 7 | 7018942 | 4 | Capscrew, Socket Head #10-24NC x 2in | |
| 8 | 7012776 | 2 | O-Ring (Used to Mount Main Valve) | |
| | 4640922 | Ref | 4WS VALVE ASSEMBLY | B |
| 101 | 7017420 | 1 | Cartridge, Relief | |
| 101 | 7012998 | 1 | Seal Kit - 7017420 Cartridge | |
| 102 | 7012774 | 1 | Directional Control Valve Assembly | |
| 102 | 7012773 | 1 | Seal Kit | |
| 102A | 7018945 | 4 | O-Ring | |
| 102B | 7018912 | 2 | Nut | |
| 102C | 7012772 | 2 | Coil | |
| 103 | 7018946 | 4 | Capscrew, Socket Head #10-24NC x 5in (Used to Mount Main Valve) | |
| 104 | 7018942 | 4 | Capscrew, Socket Head #10-24NC x 2in | |
| 105 | 7018948 | 4 | O-Ring (Used to Mount Main Valve) | |
| 106 | 7018947 | 1 | Plate, O-Ring | |

SECTION 2 - TURNTABLE

FIGURE 2-4. SWING DRIVE, TURNTABLE BEARING AND LOCK INSTALLATIONS



SECTION 2 - TURNTABLE

FIGURE 2-4. SWING DRIVE, TURNTABLE BEARING AND LOCK INSTALLATIONS

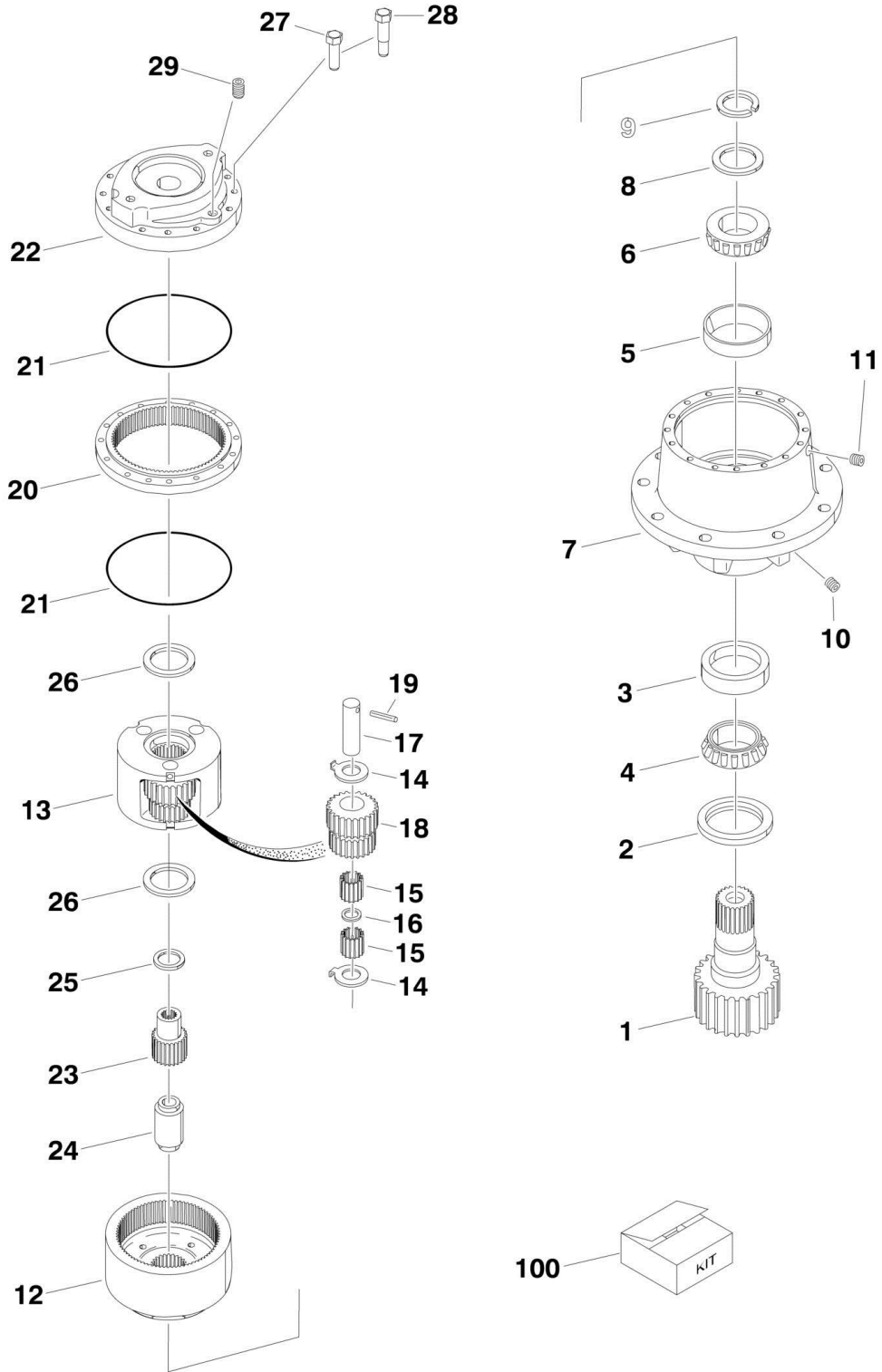
| ITEM | PART NUMBER | QTY | DESCRIPTION | REV |
|------|-------------|-----|---|-----|
| | | Ref | SWING DRIVE INSTALLATION | |
| | 0270329 | Ref | USA Built Machines (SN 0300087000 through 0300137440) | D |
| | 1001094828 | Ref | USA Built Machines (SN 0300137441 through 0300171769) | C |
| | 1001094828 | Ref | China Built Machines (SN B300000100 through B300000969) | C |
| 1 | 3537318 | 1 | Plate, Swing Drive Mounting | |
| 2 | 0642018 | 10 | Bolt 5/8in - 11NC x 2-1/4in | |
| 3 | 4892000 | 10 | Flatwasher 5/8in Hardened | |
| 4 | 0100011 | AR | Compound, Locking | |
| 5 | | Ref | Swing Hub Assembly Options: | |
| 5 | 2780205 | 1 | USA Built Machines (See SWING HUB ASSEMBLY for Breakdown) (SN 0300087000 through 0300137440) | |
| 5 | See Note | 1 | USA Built Machines (See SWING MOTOR/BRAKE/HUB ASSEMBLY for Breakdown) (SN 0300137441 through 0300171769) | |
| 5 | See Note | 1 | China Built Machines (See SWING MOTOR/BRAKE/HUB ASSEMBLY for Breakdown) (SN B300000100 through B300000969) | |
| 6 | 3932224 | 4 | Capscrew 3/4in-10NC x 1-1/2in | |
| 7 | | Ref | Brake, Swing Assembly Options: | |
| 7 | 0920119 | 1 | USA Built Machines (SN 0300087000 through 0300137440) | |
| 7 | 7007933 | 2 | Gasket, Mounting Face | |
| 7 | 7007990 | 2 | O-Ring, Mounting Face | |
| 7 | 7018612 | 1 | Repair Kit - 0920119 Brake | |
| | | Ref | Note: Other than Gasket and O-Ring, Repair Kit is only part available. | |
| 7 | See Note | 1 | USA Built Machines (See SWING MOTOR/BRAKE/HUB ASSEMBLY for Breakdown) (SN 0300137441 through 0300171769) | |
| 7 | See Note | 1 | China Built Machines (See SWING MOTOR/BRAKE/HUB ASSEMBLY for Breakdown) (SN B300000100 through B300000969) | |
| 8 | | Ref | Bolt Options: | |
| 8 | 0681836 | 2 | USA Built Machines (Bolt 1/2in -13NC x 4-1/2in) (SN 0300087000 through 0300137440) | |
| 8 | See Note | 2 | USA Built Machines (See SWING MOTOR/BRAKE/HUB ASSEMBLY for Breakdown) (SN 0300137441 through 0300171769) | |
| 8 | See Note | 2 | China Built Machines (See SWING MOTOR/BRAKE/HUB ASSEMBLY for Breakdown) (SN B300000100 through B300000969) | |
| 9 | | Ref | Swing Motor Assembly Options: | |
| 9 | | Ref | USA Built Machines (Note: Either p/n may be used as replacement) (SN 0300087000 through 0300137440) | |
| 9 | 3160273 | NLA | White Roller Stator Motor (Use p/n 1001110169) (See SWING MOTOR ASSEMBLY (WHITE ROLLER STATOR) for Breakdown) | |
| 9 | 1001110169 | 1 | Parker Motor (See SWING MOTOR ASSEMBLY (Parker) For Breakdown) | |
| 9 | See Note | 1 | USA Built Machines (See SWING MOTOR/BRAKE/HUB ASSEMBLY for Breakdown) (SN 0300137441 through 0300171769) | |
| 9 | See Note | 1 | China Built Machines (See SWING MOTOR/BRAKE/HUB ASSEMBLY for Breakdown) (SN B300000100 through B300000969) | |
| 10 | | Ref | Flatwasher Options: | |

SECTION 2 - TURNTABLE

| ITEM | PART NUMBER | QTY | DESCRIPTION | REV |
|------|-------------|-----------|---|-----|
| 10 | 4891800 | 2 | USA Built Machines (1/2in Hardened) (SN 0300087000 through 0300137440) | |
| 10 | See Note | 2 | USA Built Machines (See SWING MOTOR/BRAKE/HUB ASSEMBLY for Breakdown) (SN 0300137441 through 0300171769) | |
| 10 | See Note | 2 | China Built Machines (See SWING MOTOR/BRAKE/HUB ASSEMBLY for Breakdown) (SN B300000100 through B300000969) | |
| 11 | 1001125492 | 1 | Shim (Not Shown) | |
| | 0254798 | Ref | TURNTABLE BEARING INSTALLATION | 2-B |
| 101 | 0440207 | 1 | Bearing, Turntable | |
| 102 | 0682016 | 36 | Bolt 5/8in - 11NC x 2in Grade 8 | |
| 103 | 4892000 | 36 | Flatwasher 5/8in Hardened | |
| 104 | 0100019 | AR | Compound, Locking | |
| | 0239585 | Ref | TURNTABLE LOCK INSTALLATION | C |
| 201 | 3421627 | 1 | Pin | |
| 202 | 3421565 | 1 | Pin, Snap | |
| 203 | 3760170 | 2 | Ring, Quick Release | |
| 204 | 1260017 | 9 in/23cm | Chain | |
| | 0255316 | Ref | REMOTE BEARING LUBE INSTALLATION | 3 |
| 302 | 2180344 | 1 | Fitting, Bulkhead | |
| 303 | 2160003 | 1 | Fitting, Grease 45 | |
| 304 | 2220063 | 1 | Fitting, 90 | |
| 305 | 2751032 | 1 | Hose, Grease | |

SECTION 2 - TURNTABLE

FIGURE 2-5. SWING HUB ASSEMBLY (USA BUILT MACHINES) (SN 0300087000 through 0300137441)



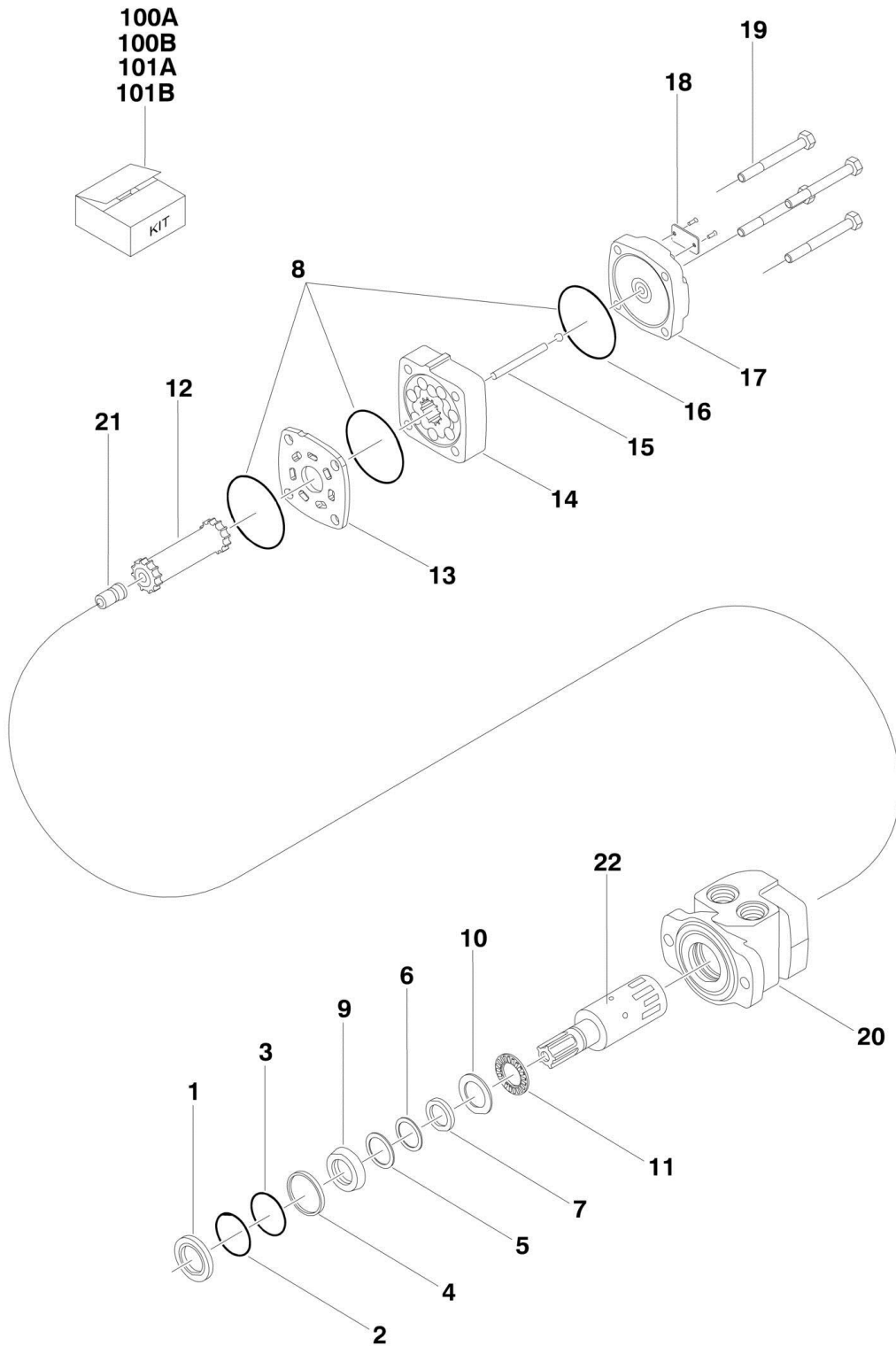
SECTION 2 - TURNTABLE

FIGURE 2-5. SWING HUB ASSEMBLY (USA BUILT MACHINES) (SN 0300087000 through 0300137441)

| ITEM | PART NUMBER | QTY | DESCRIPTION | REV |
|------|-------------|-----|---|-----|
| | 2780205 | Ref | SWING HUB ASSEMBLY | - |
| | | Ref | HOUSING ASSEMBLY | |
| 1 | 7010492 | 1 | Shaft, Output | |
| 2 | 7000228 | 1 | Seal, Lip | |
| 3 | 7000255 | 1 | Cup, Bearing | |
| 4 | 7000256 | 1 | Cone, Bearing | |
| 5 | 7000257 | 1 | Cup, Bearing | |
| 6 | 7000258 | 1 | Cone, Bearing | |
| 7 | 7017089 | 1 | Housing | |
| 8 | 7007633 | 1 | Thrustwasher | |
| 9 | 7000229 | 1 | Ring, Retaining | |
| 10 | 7010494 | 2 | Pipe, Plug | |
| 11 | 7001928 | 2 | Pipe, Plug | |
| 12 | 7000246 | 2 | Gear, In O-Ring | |
| | | Ref | CARRIER ASSEMBLY | |
| 13 | 7001931 | 1 | Carrier | |
| 14 | 7001985 | 6 | Thrustwasher, Tanged | |
| 15 | 7001909 | 96 | Bearing, Needle | |
| 16 | 7000263 | 3 | Spacer, Thrust | |
| 17 | 7001911 | 3 | Shaft, Planet | |
| 18 | 7001987 | 3 | Gear, Cluster | |
| 19 | 7010474 | 3 | Rollpin | |
| 20 | 7001988 | 1 | Ring Gear | |
| 21 | | Ref | O-Ring Options: | |
| 21 | 7000230 | 1 | O-Ring (Black) | |
| 21 | 7017070 | 1 | O-Ring (White) | |
| 22 | 7000209 | 1 | Cover, Input | |
| 23 | 7010488 | 1 | Gear, Sun | |
| 24 | 7000269 | 1 | Spacer, Input | |
| 25 | 7000270 | 1 | Thrustwasher | |
| 26 | 7000253 | 2 | Thrustwasher | |
| 27 | 7000217 | 8 | Bolt | |
| 28 | 7000214 | 4 | Bolt, Shoulder | |
| 29 | 2200222 | 1 | Pipe, Plug | |
| 100 | 7024100 | 1 | Seal Kit (Includes Items 2, 9, 21 & 26) | |

SECTION 2 - TURNTABLE

FIGURE 2-6. SWING MOTOR ASSEMBLY (WHITE ROLLER STATOR) (USA BUILT MACHINES)
(ORIGINAL EQUIPMENT) (SN 0300087000 through 0300137441)



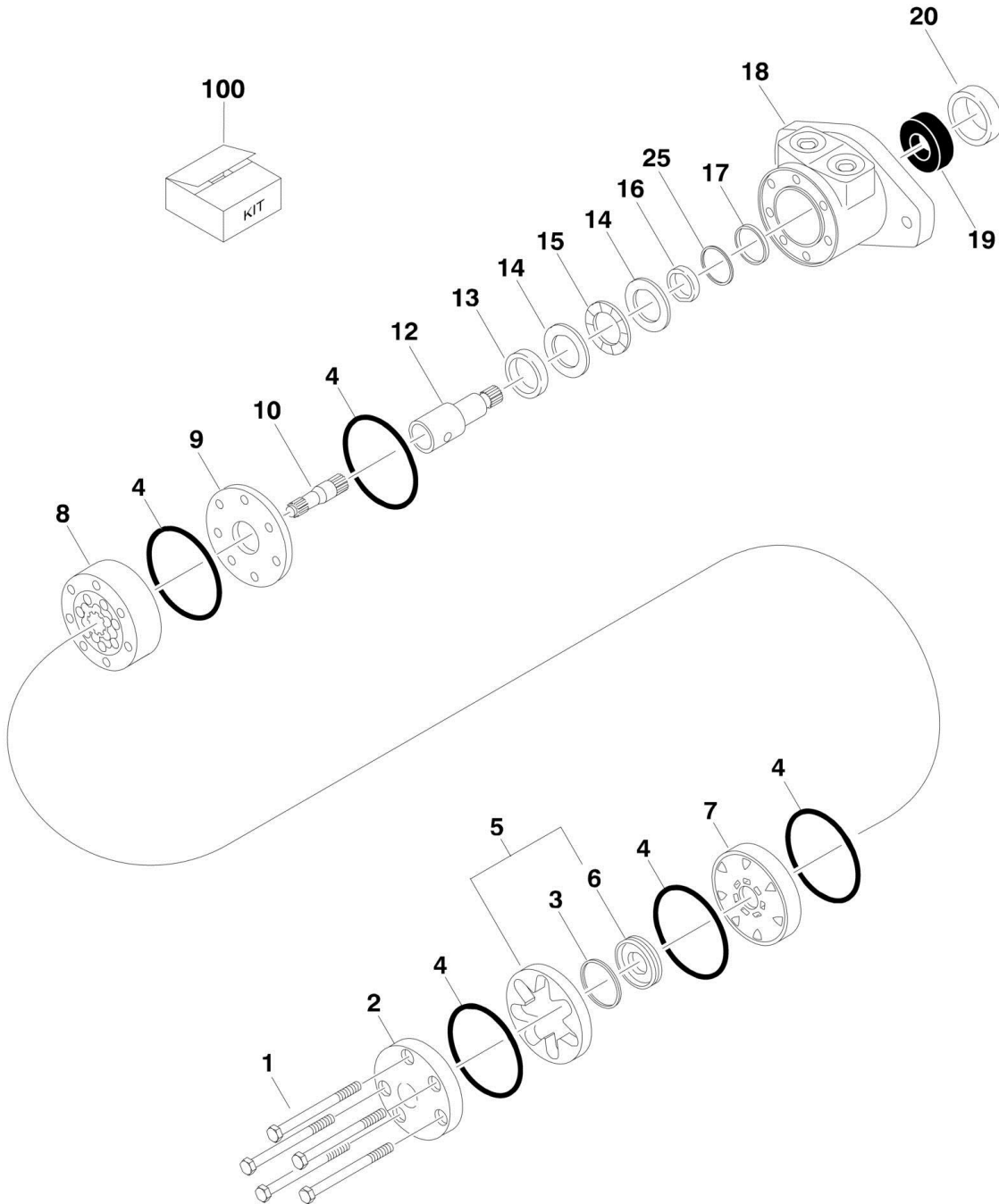
SECTION 2 - TURNTABLE

**FIGURE 2-6. SWING MOTOR ASSEMBLY (WHITE ROLLER STATOR) (USA BUILT MACHINES)
(ORIGINAL EQUIPMENT) (SN 0300087000 through 0300137441)**

| ITEM | PART NUMBER | QTY | DESCRIPTION | REV |
|------|-------------|-----|--|-----|
| | 3160273 | Ref | SWING MOTOR ASSEMBLY (WHITE ROLLER STATOR) Note: Original Equipment motor p/n 3160273 may have been replaced with Service Replacement motor p/n 1001110169. Visually identify motor before ordering parts. Service Replacement motor shown on next illustration | C |
| | | Ref | | |
| 1 | See Note | NSS | Seal, Dust (Note: Use Item 100A) | |
| 2 | See Note | NSS | Ring, Split Wire (Note: Use Item 100A) | |
| 3 | See Note | NSS | Shim, Metal Back-up (Note: Use Item 100A) | |
| 4 | See Note | NSS | Seal, High Pressure (Note: Use Item 100A) | |
| 5 | See Note | NSS | Shim, Metal Back-up (Note: Use Item 100A) | |
| 6 | See Note | NSS | Seal, Teflon Back-up (Note: Use Item 100A) | |
| 7 | See Note | NSS | Seal, Shaft (Note: Use Item 100A) | |
| 8 | See Note | NSS | Seal, Body (Note: Use Item 100A) | |
| 9 | See Note | NSS | Carrier, Seal (Note: Use Item 100B) | |
| 10 | See Note | NSS | Trustwasher (Note: Use Item 100B) | |
| 11 | 7016422 | 1 | Bearing, Thrust | |
| 12 | 7005889 | 1 | Link, Drive | |
| 13 | 7016423 | 1 | Plate, Wear | |
| 14 | 7005890 | 1 | Rotor Assembly | |
| 15 | 7005891 | 1 | Pin, Drive Link | |
| 16 | See Note | NSS | Ball (Note: Use Item 101A) | |
| 17 | See Note | NSS | Cover, End (Note: Use Item 101A) | |
| 18 | See Note | NSS | Tag, I.D. (Note: Not Available for Purchase) | |
| 19 | 7005892 | 4 | Bolt | |
| 20 | 7016425 | 1 | Housing | |
| 21 | 7005893 | 1 | Plug, Cooling | |
| 22 | 7016426 | 1 | Shaft | |
| 100 | | Ref | Seal Kit Options: | |
| 100A | 7005881 | 1 | Seal Kit (Includes Items 1-8) | |
| 100B | 7005882 | 1 | Seal Carrier Kit (Includes Items 9 & 10) | |
| 101 | | Ref | Repair Kit Options: | |
| 101A | 7016424 | 1 | End Cover Kit (Includes Items 16 & 17) | |
| 101B | 7016427 | 1 | Housing/Shaft Kit (Includes Items 20-22) | |

SECTION 2 - TURNTABLE

FIGURE 2-7. SWING MOTOR ASSEMBLY (PARKER) (USA BUILT MACHINES) (SERVICE REPLACEMENT) (SN 0300087000 through 0300137440)



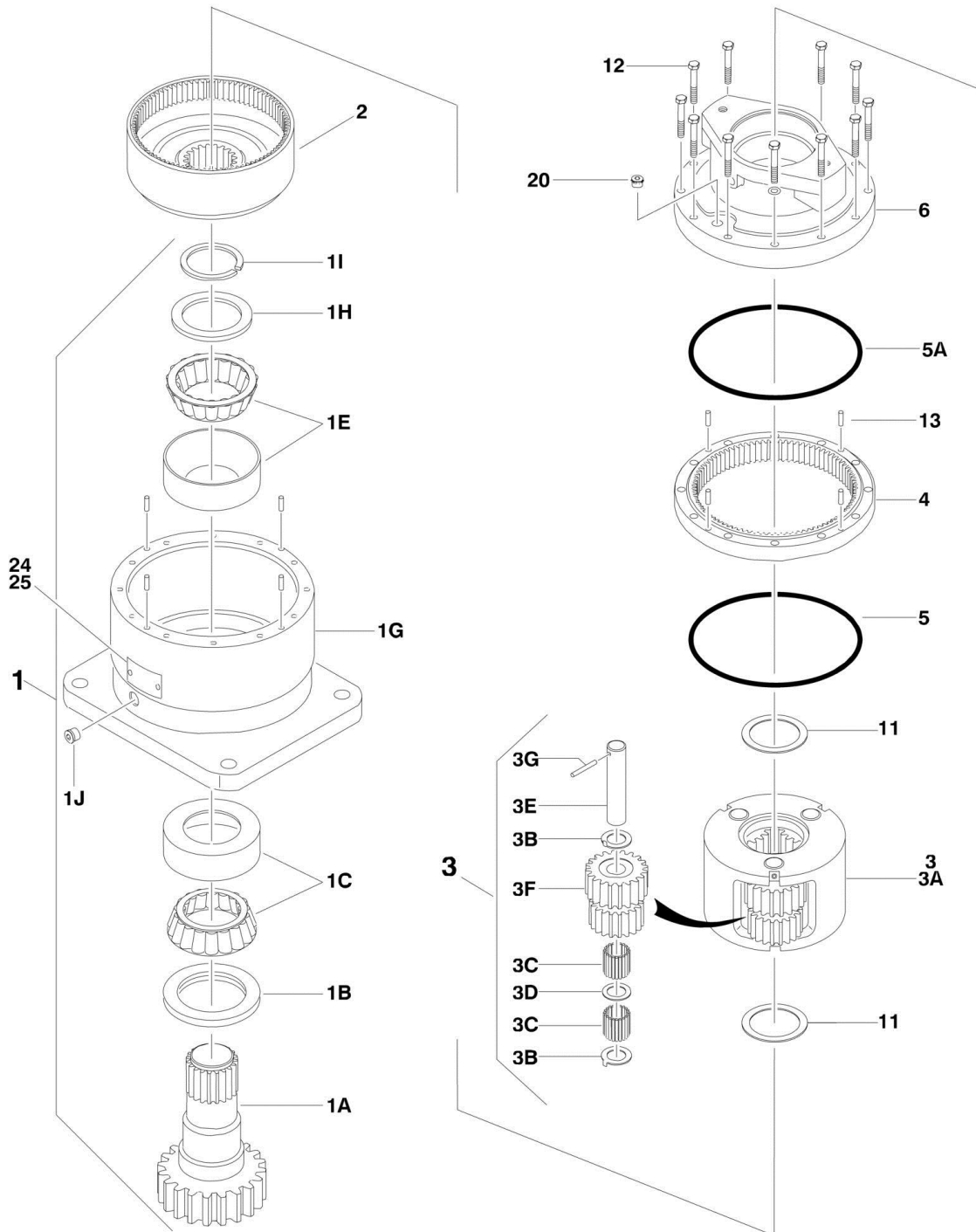
SECTION 2 - TURNTABLE

FIGURE 2-7. SWING MOTOR ASSEMBLY (PARKER) (USA BUILT MACHINES) (SERVICE REPLACEMENT) (SN 0300087000 through 0300137440)

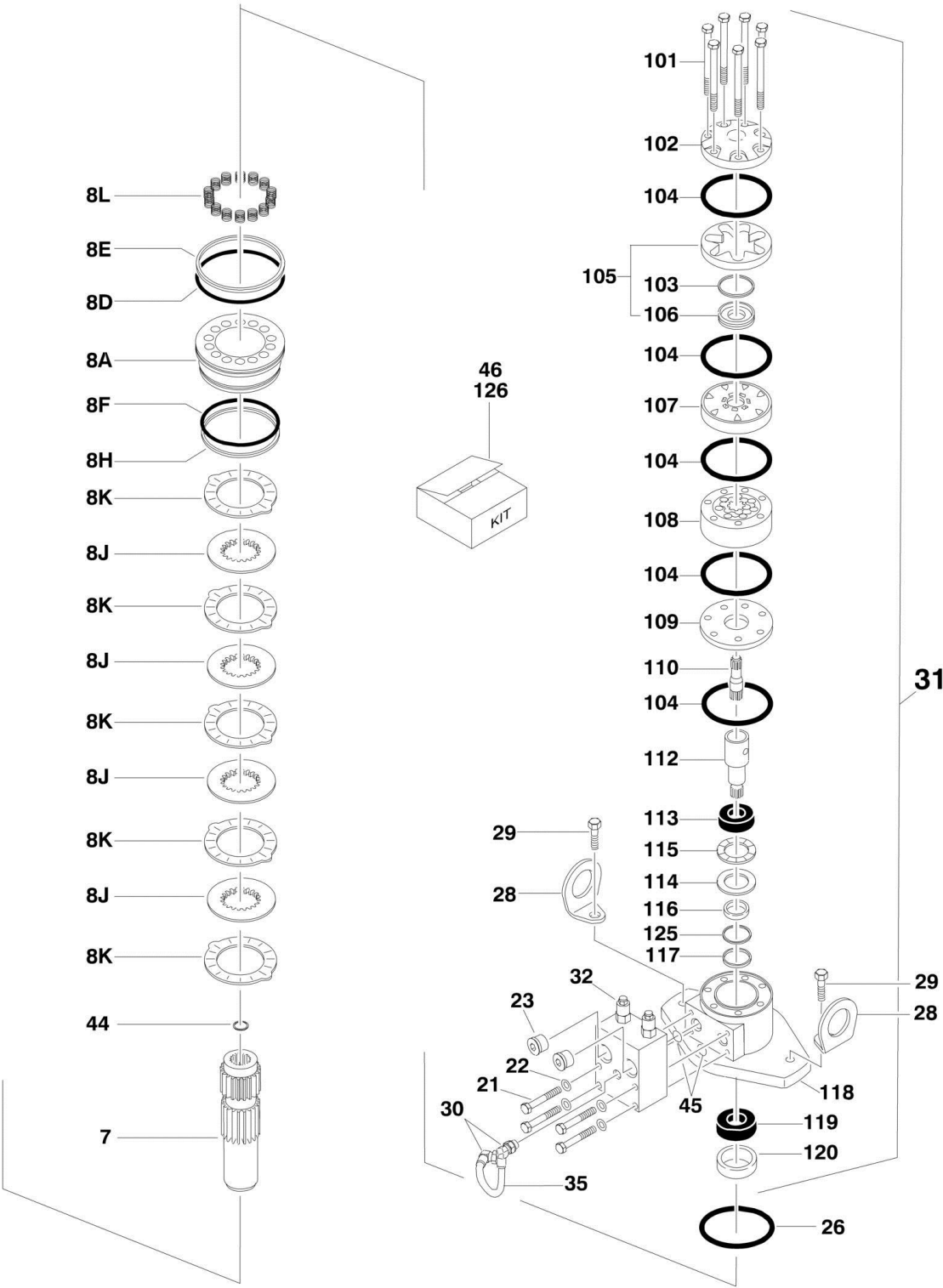
| ITEM | PART NUMBER | QTY | DESCRIPTION | REV |
|------|-------------|-----|---|-----|
| | 1001110169 | Ref | SWING MOTOR ASSEMBLY (PARKER) Note: Original Equipment motor p/n 3160273 may have been replaced with Service Replacement motor p/n 1001110169. Visually identify motor before ordering parts. Service Replacement motor shown on next illustration | A |
| | | Ref | | |
| 1 | 70002243 | 5 | Bolt | |
| 2 | 7004035 | 1 | Cover, End | |
| 3 | See Note | NSS | Seal, Commutator (Note: Use Item 100) | |
| 4 | See Note | NSS | Seal, Ring (Note: Use Item 100) | |
| 5 | 7024453 | 1 | Commutator and Ring Assembly | |
| 6 | 7024453 | 1 | Ring | |
| 7 | 7024379 | 1 | Manifold | |
| 8 | 70002208 | 1 | Rotor Set | |
| 9 | 7024380 | 1 | Plate, Wear | |
| 10 | 83304150 | 1 | Link, Drive | |
| 12 | 7024395 | 1 | Shaft, Coupling | |
| 13 | 7024381 | 1 | Bushing, Bronze | |
| 14 | 7004043 | 2 | Thrustwasher | |
| 15 | 7004044 | 1 | Bearing, Thrust | |
| 16 | See Note | NSS | Seal, Inner (Note: Use Item 100) | |
| 17 | See Note | NSS | Washer, Back-up (Note: Use Item 100) | |
| 18 | See Note | NSS | Housing (Note: Not Available - Purchase Complete Motor) | |
| 19 | 7024390 | 1 | Bearing | |
| 20 | See Note | NSS | Seal (Note: Use Item 100) | |
| 25 | See Note | NSS | Washer, Back-up (Note: Use Item 100) | |
| 100 | 7024389 | 1 | Seal Kit (Includes Items 3, 4, 16, 17, 20 & 25) | |

SECTION 2 - TURNTABLE

FIGURE 2-8. SWING MOTOR/BRAKE/HUB ASSEMBLY (USA BUILT MACHINES AND CHINA BUILT MACHINES) (SN 0300137441 through 0300171769, SN B300000100 through B300000969)



SECTION 2 - TURNTABLE



SECTION 2 - TURNTABLE

FIGURE 2-8. SWING MOTOR/BRAKE/HUB ASSEMBLY (USA BUILT MACHINES AND CHINA BUILT MACHINES) (SN 0300137441 through 0300171769, SN B300000100 through B300000969)

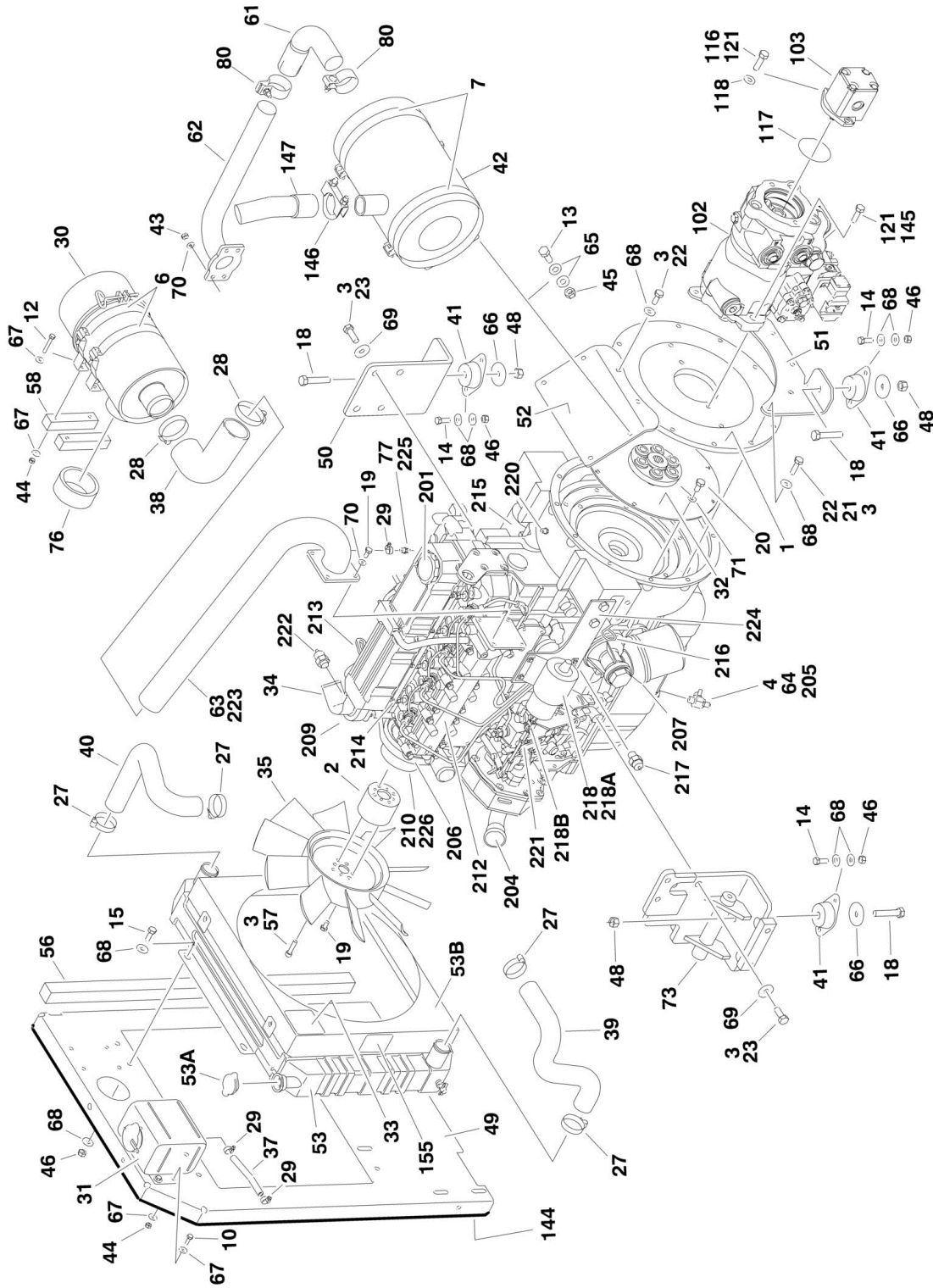
| ITEM | PART NUMBER | QTY | DESCRIPTION | REV |
|------|-------------|-----|--|-----|
| | 1001101061 | Ref | SWING MOTOR/HUB ASSEMBLIES | A |
| 1 | See Note | NSS | Housing/Shaft Assembly (Note: Use p/n 1001101061 Complete Replacement. See 1A-1J for Available Components) | |
| 1A | 7010492 | 1 | Shaft, Output | |
| 1B | 7000228 | 1 | Seal, Lip | |
| 1C | 7000255 | 1 | Bearing Kit (Includes Cup and Cone) | |
| 1E | 7000257 | 1 | Bearing Kit (Includes Cup and Cone) | |
| 1G | See Note | NSS | Housing (Note: Not Available - Purchase Complete Swing Motor/Hub Assembly) | |
| 1H | 7007633 | 1 | Thrustwasher | |
| 1I | 7000229 | 1 | Ring, Retaining | |
| 1J | 7017072 | 1 | Plug, Pipe | |
| 2 | 7000246 | 1 | Gear, Internal | |
| 3 | 80424002 | 1 | Carrier Assembly | |
| 3A | 7001931 | 1 | Carrier | |
| 3B | 7001985 | 6 | Washer, Tanged | |
| 3C | 7001909 | 96 | Bearing, Needle | |
| 3D | 7000263 | 3 | Thrustwasher | |
| 3E | 7001911 | 3 | Shaft, Planet | |
| 3F | 7001912 | 3 | Gear, Cluster | |
| 3G | 7010474 | 3 | Rollpin | |
| 4 | 7000248 | 1 | Gear, Ring | |
| 5 | 7000230 | 1 | O-Ring (Black) | |
| 5A | 7017070 | 1 | O-Ring (White) | |
| 6 | See Note | NSS | Housing, Brake (Note: Not Available - Purchase Complete Swing Motor/Hub Assembly) | |
| 7 | 70002065 | 1 | Gear, Sun | |
| 8 | See Note | NSS | Brake Components (Note: Not Available for Purchase. See 8A-8L for Available Components) | |
| 8A | 70000782 | 1 | Piston, Brake | |
| 8D | 70002070 | 1 | O-Ring | |
| 8E | 70002071 | 1 | Ring, Back-up | |
| 8F | 70002073 | 1 | O-Ring | |
| 8H | 70002072 | 1 | Ring, Back-up | |
| 8J | 70002067 | 4 | Rotor, Brake | |
| 8K | 70002068 | 5 | Stator, Brake | |
| 8L | 70002066 | 14 | Spring, Brake | |
| 11 | 7000253 | 2 | Thrustwasher | |
| 12 | 7000217 | 12 | Bolt 5/16in-18NC x 2-1/4in (Grade 8) | |
| 13 | 7017080 | 4 | Pin, Dowel | |
| 20 | 7017072 | 1 | Plug, Pipe | |
| 21 | 7024704 | 4 | Bolt 5/16in-18NC x 2in (Grade 8) | |
| 22 | See Note | NSS | Lockwasher (Note: Not Available - Purchase Locally) | |
| 23 | 7017023 | 2 | Plug, Pipe | |
| 24 | See Note | NSS | Plate, ID (Note: Not Available for Purchase) | |
| 25 | 7000281 | 2 | Screw, Drive | |
| 26 | 7024763 | 1 | O-Ring | |
| 28 | See Note | NSS | Lug, Lifting (Note: Not Available for Purchase) | |
| 29 | 70002069 | 2 | Bolt 1/2in-13NC x 2in (Grade 8) | |
| 30 | 7017085 | 2 | Elbow | |

SECTION 2 - TURNTABLE

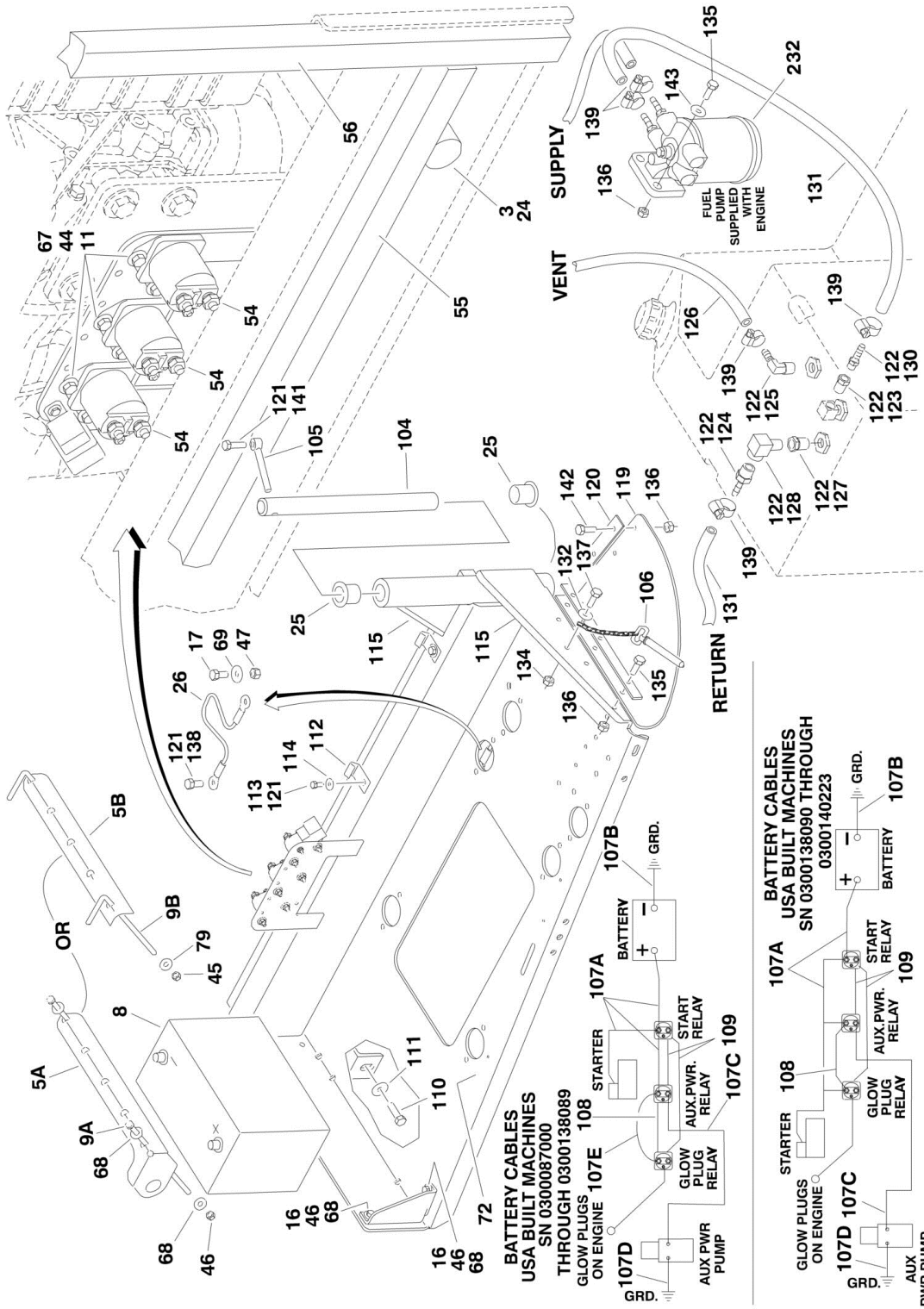
| ITEM | PART NUMBER | QTY | DESCRIPTION | REV |
|------|-------------|-----|--|-----|
| 31 | 70002075 | 1 | Motor Assembly (See Items 101-121 for Breakdown) | |
| 32 | 7024784 | 1 | Valve (No Serviceable Parts) | |
| 33 | 7017082 | 1 | Plug, Pipe (Not Shown) | |
| 35 | 70002074 | 1 | Tube | |
| 44 | 7017028 | 1 | Ring, Retaining | |
| 45 | 7000213 | 2 | O-Ring | |
| 46 | 7024100 | 1 | Seal Kit - Swing Hub (Includes Items 1B, 5, 5A & 11) | |
| | 70002075 | Ref | MOTOR ASSEMBLY | |
| 101 | 7024454 | 6 | Bolt | |
| 102 | 7004035 | 1 | Cover, End | |
| 103 | See Note | NSS | Seal, Commutator (Note: Use Item 126) | |
| 104 | See Note | NSS | Seal, Ring (Note: Use Item 126) | |
| 105 | 7024453 | 1 | Commutator and Ring Assembly | |
| 106 | 7024453 | 1 | Ring | |
| 107 | 7024379 | 1 | Manifold | |
| 108 | 7024455 | 1 | Rotor Set | |
| 109 | 7024380 | 1 | Plate, Wear | |
| 110 | 7024456 | 1 | Link, Drive | |
| 112 | 7024458 | 1 | Shaft, Coupling | |
| 113 | 7024381 | 1 | Bushing, Bronze | |
| 114 | 7004043 | 1 | Thrustwasher | |
| 115 | 7004044 | 1 | Bearing, Thrust | |
| 116 | See Note | NSS | Seal, Inner (Note: Use Item 126) | |
| 117 | See Note | NSS | Washer, Back-up (Note: Use Item 126) | |
| 118 | See Note | NSS | Housing (Note: Not Available - Purchase Complete Motor Assembly) | |
| 119 | 7024390 | 1 | Bearing | |
| 120 | See Note | NSS | Seal, Inner (Note: Use Item 126) | |
| 125 | See Note | NSS | Washer, Back-up (Note: Use Item 126) | |
| 126 | 7024396 | 1 | Seal Kit, Motor (Includes Items 103, 104, 116, 117, 120 & 125) | |

SECTION 2 - TURNTABLE

FIGURE 2-9. CATERPILLAR ENGINE INSTALLATION (USA BUILT MACHINES) (SN 0300087000 through 0300140223)



SECTION 2 - TURNTABLE



SECTION 2 - TURNTABLE

FIGURE 2-9. CATERPILLAR ENGINE INSTALLATION (USA BUILT MACHINES) (SN 0300087000 through 0300140222)

| ITEM | PART NUMBER | QTY | DESCRIPTION | REV |
|------|-------------|-----|--|-----|
| | | Ref | CATERPILLAR ENGINE ASSEMBLIES: | |
| | | Ref | Caterpillar 3044 Tier III (SN 0300087000 through 0300134793) | |
| | 0274491 | Ref | Without Arctic Package | L |
| | 0275256 | Ref | With Arctic Package | I |
| | | Ref | Caterpillar C3.4 Tier IVi (SN 03000134794 through 0300140223) | |
| | 1001105993 | Ref | Without Arctic Package | D |
| | 1001106338 | Ref | With Arctic Package | D |
| 1 | 0080181 | 1 | Adapter, Pump Mounting Plate | |
| 2 | 0080243 | 1 | Adapter, Fan Spacer | |
| 3 | 0100011 | AR | Compound, Locking | |
| 4 | 0100020 | AR | Sealant, Thread | |
| 5 | | Ref | Hold-Down, Battery Options: | |
| 5A | 0181727 | 1 | Hold-down, Battery (SN 0300087000 through 0300110250) | |
| 5B | 91401281 | 1 | Hold-down, Battery (SN 0300110251 through 0300140223) | |
| 6 | 0340041 | 2 | Band, Mounting | |
| 7 | 0340046 | 2 | Band, Muffler | |
| 8 | 0400075 | 1 | Battery | |
| 9 | | Ref | Hardware, Battery Hold-down Options: | |
| 9A | 0630498 | 2 | Hardware, Battery Hold-down (Bolt) (SN 0300087000 through 0300110250) | |
| 9B | 1001093382 | 2 | Hardware, Battery Hold-down (J-Hook) (SN 0300110251 through 0300140223) | |
| 10 | 0641406 | 4 | Bolt 1/4in-20NC x 3/4in | |
| 11 | 0641407 | 6 | Bolt 1/4in-20NC x 7/8in | |
| 12 | 0701414 | 4 | Bolt 1/4in-20NC x 3/4in | |
| 13 | 0641507 | 4 | Bolt 5/16in-18NC x 7/8in | |
| 14 | 0641608 | AR | Bolt 3/8in-16NC x 1in | |
| 15 | 0641609 | 4 | Bolt 3/8in-16NC x 1-1/8in | |
| 16 | 0641610 | 4 | Bolt 3/8in-16NC x 1-1/4in | |
| 17 | 0641808 | 1 | Bolt 1/2in-13NC x 1in | |
| 18 | 0641820 | 4 | Bolt 1/2in-13NC x 2-1/2in | |
| 19 | 0700808 | AR | Bolt M8 x 16mm | |
| 20 | 0701010 | 8 | Bolt M10 x 20mm | |
| 21 | 0701012 | 4 | Bolt M10 x 25mm | |
| 22 | 0701015 | 8 | Bolt M10 x 35mm | |
| 23 | | Ref | Bolt Options: | |
| 23 | 0701214 | 8 | Bolt (Bolt M12 x 30mm) (SN 0300087000 through 0300098803) | |
| 23 | 0711214 | 8 | Bolt (Bolt M12 x 30mm) (SN 0300098804 through 0300111360) | |
| 23 | | Ref | Bolt (SN 03000111361 through 0300140223) | |
| 23 | 0711214 | 5 | Bolt M12 x 30mm | |
| 23 | 0771212 | 3 | Bolt M12 x 25mm | |
| 24 | 0940070 | 1 | Bumper, Rubber | |
| 25 | 0961986 | 2 | Bearing, Flange | |
| 26 | 1060637 | 1 | Lanyard | |
| 27 | 8405104 | 4 | Clamp, Hose | |
| 28 | 1320016 | 2 | Clamp, Hose | |
| 29 | 8405009 | 2 | Clamp, Hose | |
| 30 | 1340060 | 1 | Air Cleaner Assembly | |

SECTION 2 - TURNTABLE

| ITEM | PART NUMBER | QTY | DESCRIPTION | REV |
|------|-------------|-----------------|--|-----|
| 30 | 7012664 | 1 | Element, Air Cleaner | |
| 31 | 1580011 | 1 | Container, Coolant Overflow | |
| 32 | 1660239 | 1 | Coupling, Pump | |
| 33 | 1703162 | 2 | Decal - Fan Blade | |
| 34 | | Ref | Caterpillar Engine Assembly Options: | |
| 34 | 2000194 | NLA | Caterpillar Engine Assembly (Use p/n 1001109762) (SN 0300087000 through 0300104803) | |
| 34 | 2000386 | NLA | Caterpillar Engine Assembly (Use p/n 1001109762) (SN 0300104804 through 0300134793) | |
| 34 | 1001100313 | 1 | Caterpillar Engine Assembly (SN 0300134794 through 0300140223) | |
| 35 | 2060025 | 1 | Fan | |
| 37 | 2720058 | 0.33 ft/0.1m | Hose | |
| 38 | 2720434 | 1 | Elbow, Rubber | |
| 39 | 2720509 | 1 | Hose, Radiator (Bottom) | |
| 40 | | Ref | Hose, Radiator (Top) Options: | |
| 40 | 2720510 | 1 | Caterpillar 3044 Tier III (SN 0300087000 through 0300134793) | |
| 40 | 1001107705 | 1 | Caterpillar C3.4 Tier IVi (SN 0300134794 through 0300140223) | |
| 41 | 3200406 | 4 | Mount, Engine | |
| 42 | | Ref | Muffler Options: | |
| 42 | 3220113 | 1 | Muffler, Spark Arresting (Standard) | |
| 42 | 70001017 | 1 | Clamp | |
| 42 | 3220154 | NLA | Muffler, Catalytic (Optional) (Use p/n 1001107116) | |
| 42 | 70002705 | 1 | Clamp | |
| 42 | 70002706 | 1 | Plug | |
| 43 | 3290801 | 4 | Nut m8 x 1.25 | |
| 44 | 3311405 | 14 | Locknut 1/4in-20NC | |
| 45 | | Ref | Locknut Options: | |
| 45 | 3311505 | AR | Locknut 5/16in-18NC | |
| 45 | 88521205 | AR | Locknut with Nylon Lock 5/16in-18NC | |
| 46 | 3311605 | AR | Locknut Options: | |
| 47 | 3311801 | 1 | Nut 1/2in-13NC | |
| 48 | 3311805 | 4 | Locknut 1/2in-13NC | |
| 49 | 3539872 | 1 | Plate, Radiator Mounting | |
| 50 | 3574206 | 1 | Plate, Motor Mount | |
| 51 | 3574207 | 1 | Plate, Engine Mount (Rear) | |
| 52 | 3574208 | 1 | Bracket, Muffler | |
| 53 | 3620047 | 1 | Radiator | |
| 53A | 7027412 | 1 | Cap | |
| 53B | 70004182 | 1 | Shroud, Fan | |
| 54 | 3740067 | 3 | Relay, Solenoid Assembly | |
| 55 | 3960468 | 1 | Seal, Foam Gasket | |
| 56 | 3960469 | 1 | Seal, Foam Gasket | |
| 57 | 4031911 | 4 | Bolt M8 x 35mm | |
| 58 | 4220191 | 2 | Block, Spacer | |
| 61 | 4567073 | 1 | Tube, Exhaust | |
| 62 | 4568721 | 1 | Exhaust Tube Weldment | |
| 63 | 4569177 | 1 | Tube, Air Intake Weldment (SN 0300087000 through 0300104804) | |
| 64 | 1001105833 | NLA | Valve, Oil Drain (Use p/n 4640750) | |

SECTION 2 - TURNTABLE

| ITEM | PART NUMBER | QTY | DESCRIPTION | REV |
|------|-------------|-------------------|---|-----|
| 65 | 4711500 | 8 | Flatwasher 5/16in Thin | |
| 66 | 4740274 | 4 | Washer, Snubbing | |
| 67 | 4751400 | 28 | Flatwasher 1/4in Regular | |
| 68 | 4751600 | AR | Flatwasher 3/8in Regular | |
| 69 | | Ref | Flatwasher Options: | |
| 69 | 4751800 | 8 | Flatwasher 1/2in Regular (SN 0300087000 through 0300098803) | |
| 69 | 4812100 | 8 | Flatwasher M12 (SN 0300098804 through 0300140223) | |
| 70 | 4811900 | AR | Flatwasher M8 | |
| 71 | 4832000 | 8 | Lockwasher M10 | |
| 72 | 4846790 | 1 | Tray Engine | |
| 73 | 4846805 | 1 | Mount, Engine/Generator - Left | |
| 74 | 4922737 | 1 | Harness, Relay Ground (Not Shown) (SN 0300087000 through 0300134794) | |
| 75 | 0721006 | 1 | Bolt #10-24NC x 3/4in | |
| 76 | 2720515 | 1 | Seal, Air Cleaner | |
| 77 | 2220767 | 1 | Fitting | |
| 79 | 4751500 | 2 | Flatwasher 5/16in Regular | |
| 80 | 70001017 | 2 | Clamp | |
| | | Ref | Note: Arctic Package Items 91-97 Not Shown - Used on Arctic Machines Only. | |
| 91 | 1060626 | 1 | Cord, 3-Way Extension (Located on Left Front of Engine) | |
| 92 | 1320223 | 2 | Clamp | |
| 93 | 2300041 | 2.6 gal /9.96L | Coolant | |
| 94 | 2580024 | 1 | Heater, Battery (Located on Battery) | |
| 95 | 2580055 | 1 | Heater, Block (Located on Left Side of Engine) | |
| 96 | 3020044 | 2.5 gal /9.4L | Oil, Motor 0W-40 | |
| 97 | 3980007 | 1 | Seat, Battery (Located Under Battery) | |
| | | Ref | CATERPILLAR ENGINE INSTALLATIONS | |
| | | Ref | Caterpillar 3044 Tier III (SN 0300087000 through 0300134793) | |
| | 0274492 | Ref | 2WD (Without Arctic Package) | 3 |
| | 0274493 | Ref | 4WD (Without Arctic Package) | 4 |
| | 0275342 | Ref | 4WD (With Arctic Package) | 2 |
| | | Ref | Caterpillar C3.4 Tier IVi (SN 0300134794 through 0300140223) | |
| | 1001107236 | Ref | 2WD (Without Arctic Package) | 3-B |
| | 1001107229 | Ref | 4WD (Without Arctic Package) | 3-B |
| | 1001107237 | Ref | 4WD (With Arctic Package) | 3-B |
| 102 | | Ref | Piston Pump Assembly Options (See PISTON PUMP ASSEMBLY for Breakdown): | |
| 102 | 3600388 | 1 | 2WD Pump without Fittings | |
| 102 | 3600394 | 1 | 2WD Pump with Fittings | |
| 102 | 3600381 | 1 | 4WD Pump without Fittings | |
| 102 | 3600396 | 1 | 4WD Pump with Fittings | |
| 103 | | Ref | Gear Pump Assembly Options (See GEAR PUMP ASSEMBLY for Breakdown): | |
| 103 | 3600242 | 1 | Pump without Fittings | |
| 103 | 3600395 | 1 | Pump with Fittings | |
| 104 | 3422446 | 1 | Pin, Pivot | |
| 105 | 3841143 | 1 | Keeper, Pin | |
| 106 | 3422532 | 1 | Pin, Hitch | |
| 107 | 2902296 | 1 | Battery Cable Kit | |

SECTION 2 - TURNTABLE

| ITEM | PART NUMBER | QTY | DESCRIPTION | REV |
|------|-------------|----------------|---|-----|
| | | Ref | Note: 2902296 Rev A version is no longer available. Verify weather machine is equipped with 2 or 3 relays on the engine tray. If there are 3 relays, purchase latest revision of 2902296 kit. If there are 2 relays, purchase individual items as replacement. | |
| 107A | 1001116241 | 1 | Cable, Battery (Red) (Machines with 2 Relays on Engine Tray) (was p/n 7027000) | |
| 107A | 1001116240 | 1 | Cable, Battery (Red) (Machines with 3 Relays on Engine Tray) (was p/n 7027000) | |
| 107B | 7027004 | 1 | Cable, Battery (Black) | |
| 107C | 7027002 | 1 | Cable (Red) | |
| 107D | 7027003 | 1 | Cable (Black) | |
| 107E | 7027001 | 1 | Cable (Red) (No Longer Part of 2902296 Kit - Use) (SN 0300087000 through 0300138090) | |
| 108 | 1060904 | 1 | Cable, Battery | |
| 109 | 4922737 | 1 | Harness, Relay Ground | |
| 110 | 0642010 | 1 | Bolt 5/8in-11NC x 1-1/4in | |
| 111 | 4752000 | 1 | Flatwasher 5/8in Regular | |
| 112 | 1320223 | AR | J-Clip 1/2in | |
| 113 | 0641606 | 3 | Bolt 3/8in-16NC x 3/4in | |
| 114 | 4711600 | 3 | Flatwasher 3/8in Thin | |
| 115 | 4060805 | 2 ft /0.7mm | Flex-Trim 1/4in | |
| 116 | 3931620 | 2 | Bolt 3/8in-16NC x 1-1/4in | |
| 117 | 3790152 | 1 | O-Ring | |
| 118 | 4891600 | 2 | Flatwasher 3/8in Hardened | |
| 119 | 3380429 | 1 | Panel, Rubber | |
| 120 | 3539957 | 2 | Plate, Support | |
| 121 | 0100011 | AR | Compound, Locking | |
| 122 | 0100020 | AR | Sealant, Thread | |
| 123 | | Ref | Fitting, Reducer Options: | |
| 123 | 2220273 | 2 | Fitting, Reducer (SN 0300087000 through 0300134793) | |
| 123 | Item 130 | 2 | Fitting, Reducer (SN 0300134794 through 0300140223) | |
| 124 | | Ref | Fitting, Straight Options: | |
| 124 | 2180536 | 2 | Fitting, Straight (SN 0300087000 through 0300134793) | |
| 124 | 2221176 | 2 | Fitting, Straight (SN 0300134794 through 0300140223) | |
| 125 | 2220313 | 1 | Fitting, 90 | |
| 126 | 2750532 | 6 ft/1.8m | Hose 3/8in | |
| 127 | | Ref | Fitting, Reducer Options: | |
| 127 | 2220250 | 1 | Fitting, Reducer (SN 0300087000 through 0300134793) | |
| 127 | Item 124 | 1 | Fitting, Reducer (SN 0300134794 through 0300140223) | |
| 128 | | Ref | Fitting, 90 Options: | |
| 128 | 2220549 | 1 | Fitting, 90 (SN 0300087000 through 0300093957) | |
| 128 | 2220459 | 1 | Fitting, 90 (SN 0300093958 through 0300134793) | |
| 128 | Item 124 | 1 | Fitting, 90 (SN 0300134794 through 0300140223) | |
| 129 | 2720271 | 15 ft/4.6m | Hose 3/16in | |
| 130 | | Ref | Fitting, Barbed Options: | |
| 130 | 2220794 | 1 | Fitting, Barbed (SN 0300087000 through 0300134793) | |
| 130 | 2180348 | 1 | Fitting, Barbed (SN 0300134794 through 0300140223) | |
| 131 | 2720058 | 16 ft/4.9m | Hose | |
| 132 | 4751400 | 4 | Flatwasher 1/4in Regular | |
| 133 | 0641608 | 2 | Bolt 3/8in-16NC x 1in | |
| 134 | 3311405 | 1 | Locknut 1/4in-20NC | |

SECTION 2 - TURNTABLE

| ITEM | PART NUMBER | QTY | DESCRIPTION | REV |
|------|-------------|-----------|---|-----|
| 135 | 0641507 | 5 | Bolt 5/16in-18NC x 1-1/4in | |
| 136 | 3311505 | 8 | Locknut 5/16in-18NC | |
| 137 | 0641407 | 1 | Bolt 1/4in-20NC x 7/8in | |
| 138 | 0641808 | 1 | Bolt 1/2in-13NC x 1in | |
| 139 | 1320022 | 7 | Clamp, Hose | |
| 140 | 1701505 | 1 | Decal - Diesel (Not Shown - Located on Hood) | |
| 141 | 0641610 | 1 | Bolt 3/8in-16NC x 1-1/4in | |
| 142 | 0641514 | 3 | Bolt 5/16in-18NC x 1-3/4in | |
| 143 | 4751500 | 3 | Flatwasher 5/16in Regular | |
| 144 | 3960389 | 5 ft/1.5m | Seal, Hood | |
| 145 | 0641812 | 2 | Bolt 1/2in-13NC x 1-3/4in | |
| 146 | 1320176 | 1 | Clamp (SN 0300093958 through 0300140223) | |
| 147 | 3460544 | 1 | Pipe, Exhaust (SN 0300093958 through 0300140223) | |
| | | Ref | Note: Arctic Package Items 148 - 153 Not Shown - Used on Arctic Machines Only. | |
| 148 | 1702943 | 1 | Decal - Hydraulic Tank Heater | |
| 149 | 2580050 | 1 | Heater, Hydraulic Tank | |
| 150 | 1702941 | 1 | Decal - Battery Heater | |
| 151 | 1702944 | 1 | Decal - Heater Cord | |
| 152 | 1702942 | 1 | Decal - Engine Block Heater | |
| 153 | 1060625 | 1 | Cable, Immersion Heater | |
| 155 | | Ref | Decal - Warning Explosion/Fire Options: | |
| 155 | 1704972 | 1 | ANSI Spec | |
| 155 | 1706098 | 1 | Australian and CE Spec | |
| 155 | 1706059 | 1 | Brazilian Spec | |
| 155 | 1706060 | 1 | Chinese Spec | |
| 155 | 1706064 | 1 | CSA Spec | |
| 155 | 1706062 | 1 | Japanese Spec | |
| 155 | 1706061 | 1 | Korean Spec | |
| 155 | 1706063 | 1 | Spanish Language | |
| | | Ref | ENGINE COMPONENTS | |
| | 2000194 | Ref | Caterpillar 3044 Tier III (SN 0300087000 through 0300104803) | E |
| | 2000386 | Ref | Caterpillar 3044 Tier III (SN 0300104804 through 0300134793) | B |
| | 1001100313 | Ref | Caterpillar C3.4 Tier IVi (SN 0300134794 through 0300140223) | C |
| 201 | 7026800 | 1 | Cap Oil Filler | |
| 202 | 7026802 | 1 | Flywheel | |
| 202 | 7026803 | 1 | Gear, Flywheel | |
| 203 | 7026804 | 1 | Gasket (Not Shown - Between Flywheel Housing and Engine Block) | |
| 203 | 7026805 | 1 | Seal (Not Shown - Rear of Flywheel Housing) | |
| 204 | 7026806 | 1 | Cap, Filler | |
| 204 | 7026807 | 1 | Seal, Oil (Located in Front Housing) | |
| 205 | 7026808 | 1 | Plug, Oil Pan | |
| 205 | 7026809 | 1 | Gasket, Oil Plug | |
| 206 | 7026810 | 1 | V-Belt | |
| 207 | 7026811 | 1 | Filter, Oil | |
| 207 | 7026812 | 1 | O-Ring (Between Bolt and Oil Filter Bracket) | |
| 207 | 7026813 | 1 | O-Ring (Between Oil Filter Bracket and Engine Block) | |
| 208 | 7026819 | 1 | Engine Cooler Assembly (Not Shown) | |
| 208 | 7026816 | 2 | O-Ring (Between Cover and Cooler) | |
| 208 | 7026817 | 4 | O-Ring (Between Cover and Cooler) | |
| 208 | 7026818 | 1 | Gasket (Between Cover and Engine Block) | |

SECTION 2 - TURNTABLE

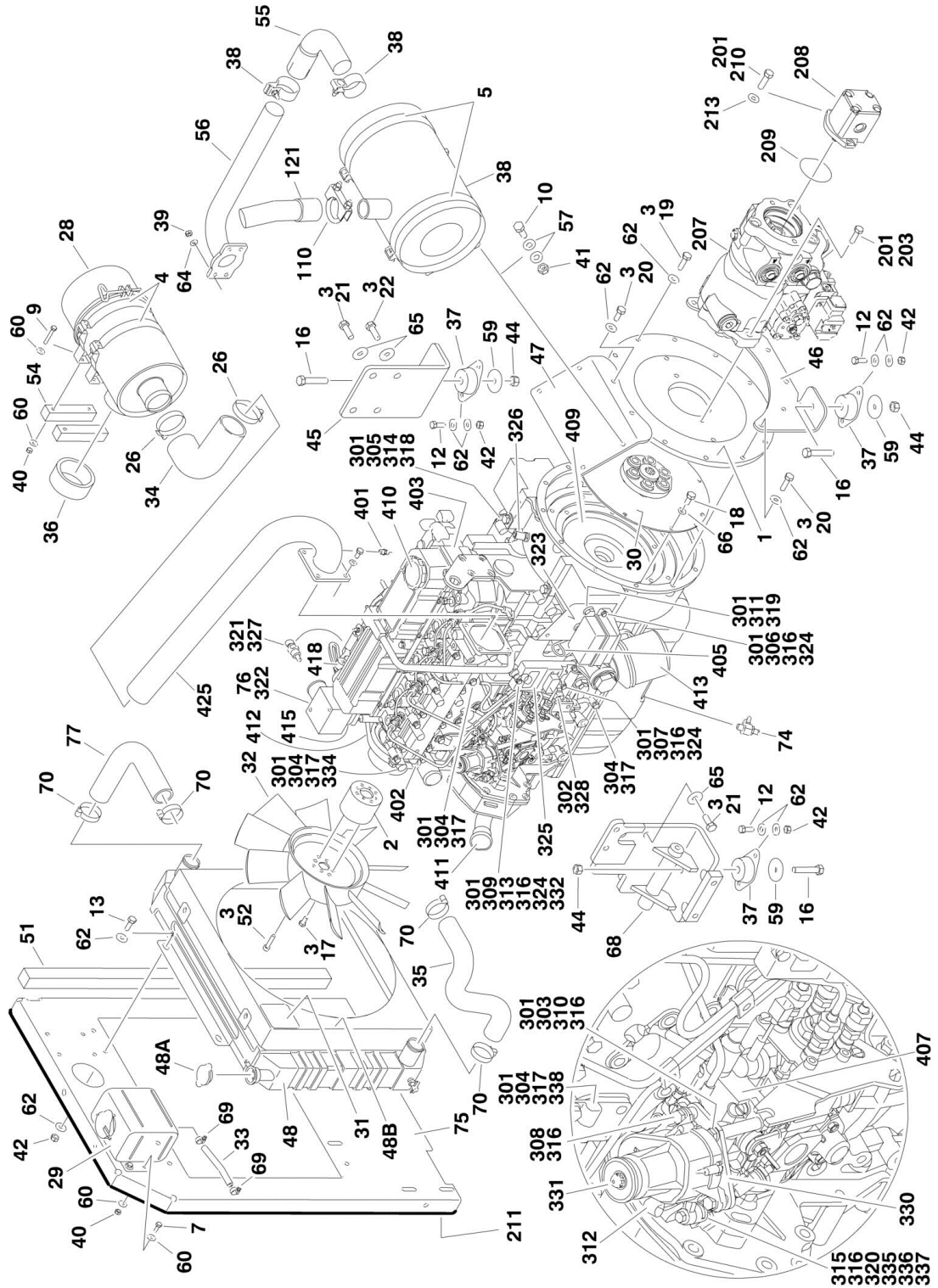
| ITEM | PART NUMBER | QTY | DESCRIPTION | REV |
|------|-------------|-----|--|-----|
| 209 | 7026822 | 1 | Thermostat | |
| 209 | 7026821 | 1 | Gasket (Between Regulator and Thermostat Housing) | |
| 209 | 7026820 | 1 | Gasket (Between Regulator and Engine Head) | |
| 210 | | Ref | Pump, Water Options: | |
| 210 | | Ref | Caterpillar Engine p/n 2000194 | |
| 210 | 7026823 | 1 | Caterpillar Engine SNs (Not Machine SN) (Prior to SN 3440833) | |
| 210 | 70001120 | 1 | Caterpillar Engine SNs (Not Machine SN) (SN 3440833 to Present) | |
| 210 | 70001120 | 1 | Caterpillar Engine p/ns 2000386 & 1001100313 | |
| 210 | 7026824 | 1 | Gasket, Water Pump Cover (Use with p/n 7026823 Pump) | |
| 210 | 7026825 | 1 | Gasket, Water Pump (Use with p/n 7026823 Pump) | |
| 210 | 70002765 | 1 | Hose, By-Pass (Not Shown) | |
| 211 | 7026826 | 1 | Gasket, Exhaust Manifold | |
| 211 | 7026827 | 1 | Gasket, Exhaust | |
| 211 | 70002852 | 4 | Stud, Exhaust Manifold | |
| 212 | 7026829 | 1 | Gasket, Intake Manifold | |
| 212 | 7026828 | 1 | Gasket, Intake | |
| 213 | 7026831 | 1 | Alternator | |
| 214 | 7026832 | 4 | Plug, Glow | |
| 215 | 7026833 | 1 | Starter | |
| 216 | | Ref | Dipstick Oil Level Options: | |
| 216 | 7026834 | 1 | Dipstick for 2000194 Engines | |
| 216 | 7026888 | 1 | Dipstick for 2000386 Engines | |
| 216 | 70002844 | 1 | Dipstick for 1001100313 Engines | |
| 216 | 70002843 | 1 | Seal, Dipstick Tube | |
| 217 | 7026814 | 1 | Relief Valve, Oil Pressure | |
| 217 | 7026815 | 1 | Gasket, Relief Valve | |
| 217 | 1001097554 | 1 | Sensor, Oil Pressure (Not Shown) | |
| 218 | 1600361 | 1 | Actuator/Linkage Assembly - Throttle | |
| 218A | 1600361 | 1 | Actuator and Electrical Connector Kit (was p/n 7026842) | |
| 218A | 7026835 | 1 | Connector, Actuator | |
| 218B | 7026843 | 1 | Linkage Kit | |
| 220 | 7026841 | 1 | Sensor, Speed Sensor | |
| 220 | 7026836 | 1 | Connector, Speed Sensor | |
| 221 | 70002849 | 1 | Pump, Fuel Injection | |
| 221 | 70002847 | 1 | O-Ring, Fuel Injection Pump Flange | |
| 221 | 70002848 | 1 | Gasket, Fuel Injection Pump | |
| 221 | 70002850 | 1 | Solenoid, Fuel Shut-Off | |
| 222 | 7026840 | 1 | Sensor, Water Temperature | |
| 222 | 7026882 | 1 | Seal, Sensor | |
| 223 | 4569371 | 1 | Tube, Air Intake Weldment (2000386 & 1001100313 Engines) | |
| 224 | 0902910 | 1 | Mounting Bracket, Actuator (Use p/n 7026887) | |
| 224 | 0903220 | 1 | Mounting Bracket, Actuator (Use p/n 7026887) | |
| 225 | 70001051 | 1 | Valve, Air Intake Check | |
| 226 | 70001742 | 1 | Pulley, Water Pump | |
| 227 | 2580055 | 1 | Block Heater Kit (Not Shown) (was p/n 7026845) | |
| 227 | 7026838 | 1 | Gasket, Block Heater (Not Shown) | |
| 227 | 70002841 | 1 | Cord, Electrical (Not Shown) | |
| 228 | 70002766 | 1 | Head, Cylinder (Not Shown) | |
| 228 | 7026801 | 1 | Gasket, Valve Cover (Not Shown) | |
| 228 | 70002764 | 1 | Gasket, Rear Head (Not Shown) | |

SECTION 2 - TURNTABLE

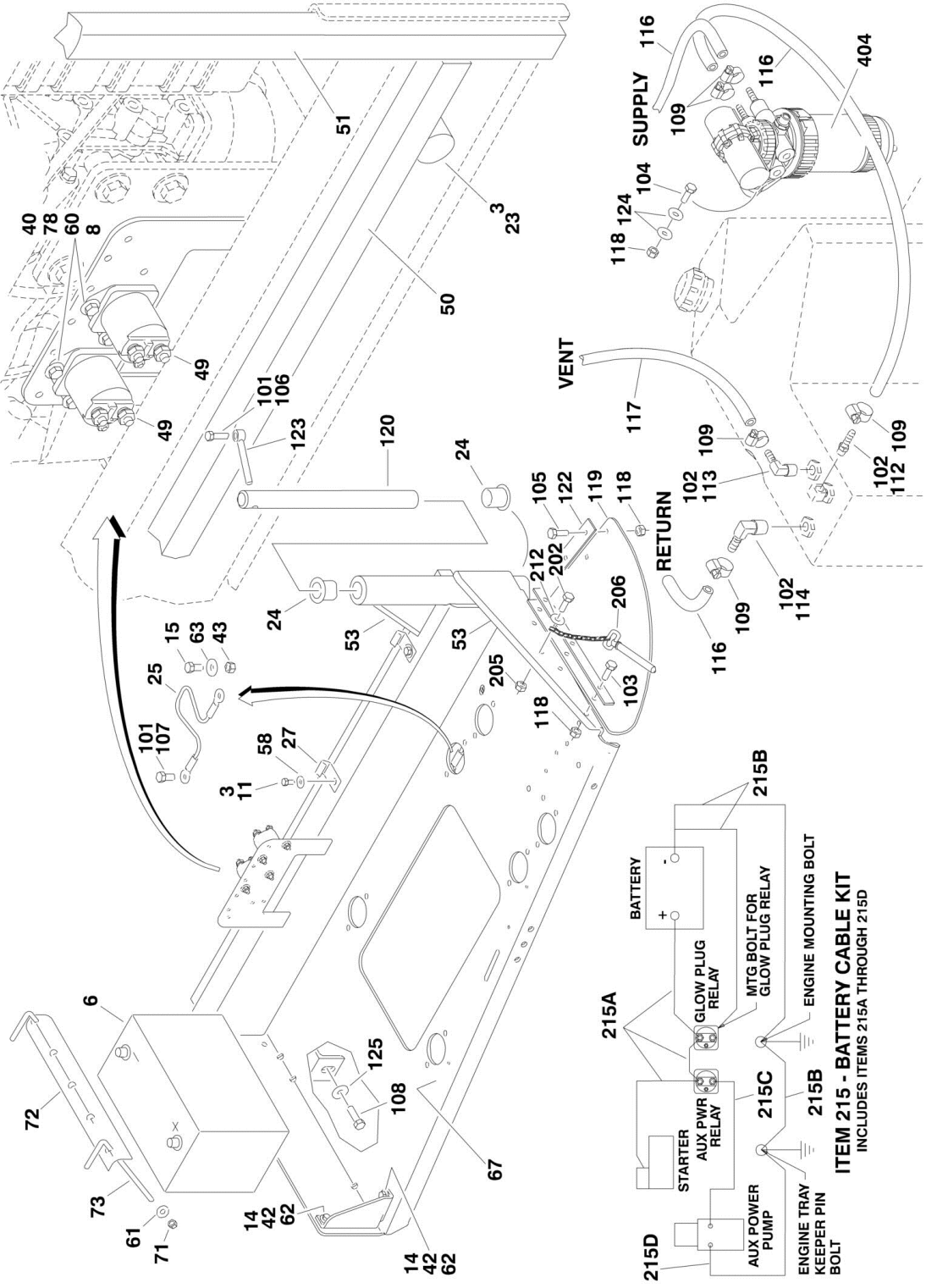
| ITEM | PART NUMBER | QTY | DESCRIPTION | REV |
|------|-------------|-----|-----------------------------------|-----|
| 228 | 70002767 | 1 | Gasket, Head (Not Shown) | |
| 228 | 70002761 | AR | Bolt, Head (Not Shown) | |
| 228 | 70002762 | AR | Seat, Valve (Not Shown) | |
| 229 | 70002845 | 1 | Pump, Oil (Not Shown) | |
| 229 | 70002846 | 1 | O-Ring, Oil Pump (Not Shown) | |
| 231 | 70002851 | 1 | Gasket Kit - Complete (Not Shown) | |
| 232 | 7026839 | 1 | Pump, Fuel Supply | |
| 232 | 70002763 | 1 | Gasket, Fuel Line (Not Shown) | |
| 232 | 7026830 | 1 | Element, Fuel Filter | |
| 232 | 70002834 | 1 | Bowl, Water Collection | |
| 232 | 70002835 | 1 | Seal Kit - Water Separator | |
| 232 | 70002833 | 1 | Ring, Fuel Pump Retaining | |

SECTION 2 - TURNTABLE

FIGURE 2-10. CATERPILLAR ENGINE INSTALLATION (USA BUILT MACHINES AND CHINA BUILT MACHINES) (SN 0300140223 through 0300171769, SN B300000100 through B300000969)



SECTION 2 - TURNTABLE



SECTION 2 - TURNTABLE

FIGURE 2-10. CATERPILLAR ENGINE INSTALLATION (USA BUILT MACHINES AND CHINA BUILT MACHINES) (SN 0300140223 through 0300171769, SN B300000100 through B300000969)

| ITEM | PART NUMBER | QTY | DESCRIPTION | REV |
|------|-------------|------------------|---|-----|
| | 1001109065 | Ref | CATERPILLAR TIER IVI ENGINE ASSEMBLIES | D |
| 1 | 0080181 | 1 | Adapter, Pump Mounting Plate | |
| 2 | 0080243 | 1 | Adapter, Fan Spacer | |
| 3 | 0100011 | AR | Compound, Locking | |
| 4 | 0340041 | 2 | Band, Mounting | |
| 5 | 0340046 | 2 | Band, Muffler | |
| 6 | 0400075 | 1 | Battery | |
| 7 | 0641406 | 4 | Bolt 1/4in-20NC x 3/4in | |
| 8 | 0641407 | 4 | Bolt 1/4in-20NC x 7/8in | |
| 9 | 0701414 | 4 | Bolt 1/4in-20NC x 3/4in | |
| 10 | 0641507 | 4 | Bolt 5/16in-18NC x 7/8in | |
| 11 | 0641606 | 2 | Bolt 3/8in-16NC x 3/4in | |
| 12 | 0641608 | 8 | Bolt 3/8in-16NC x 1in | |
| 13 | 0641609 | 4 | Bolt 3/8in-16NC x 1-1/8in | |
| 14 | 0641610 | 4 | Bolt 3/8in-16NC x 1-1/4in | |
| 15 | 0641808 | 1 | Bolt 1/2in-13NC x 1in | |
| 16 | 0641820 | 4 | Bolt 1/2in-13NC x 2-1/2in | |
| 17 | 0700808 | 4 | Bolt M8 x 16mm | |
| 18 | 0701010 | 8 | Bolt M10 x 20mm | |
| 19 | 0701012 | 4 | Bolt M10 x 25mm | |
| 20 | 0701015 | 8 | Bolt M10 x 35mm | |
| 21 | 0711214 | 5 | Bolt M12 x 30mm | |
| 22 | 0771212 | 3 | Bolt M12 x 25mm | |
| 23 | 0940070 | 1 | Bumper, Rubber | |
| 24 | 0961986 | 2 | Bearing, Flange | |
| 25 | 1060637 | 1 | Lanyard | |
| 26 | 1320016 | 2 | Clamp, Hose | |
| 27 | 1320223 | 4 | Clamp | |
| 28 | 1340060 | 1 | Air Cleaner Assembly | |
| 28 | 7012664 | 1 | Element, Air Cleaner | |
| 29 | 1580011 | 1 | Container, Coolant Overflow | |
| 30 | 1660239 | 1 | Coupling, Pump | |
| 31 | 1703162 | 2 | Decal - Fan Blade | |
| 32 | 2060025 | 1 | Fan | |
| 33 | 2720058 | 0.33 ft /0.1m | Hose | |
| 34 | 2720434 | 1 | Elbow, Rubber | |
| 35 | 2720509 | 1 | Hose, Radiator (Bottom) | |
| 36 | 2720515 | 1 | Seal, Air Cleaner | |
| 37 | 3200406 | 4 | Mount, Engine | |
| 38 | | Ref | Muffler Options: | |
| 38 | 3220113 | 1 | Muffler, Spark Arresting (Standard) | |
| 38 | 70001017 | 1 | Clamp (Used on p/n 3220113) | |
| 38 | 1001107116 | 1 | Muffler, Catalytic (Optional) | |
| 38 | 70002705 | 1 | Clamp | |
| 38 | 70002706 | 1 | Plug | |
| 39 | 3290801 | 4 | Nut M8 | |
| 40 | 3311405 | 12 | Locknut 1/4in-20NC | |
| 41 | 3311505 | 4 | Locknut 5/16in-18NC | |

SECTION 2 - TURNTABLE

| ITEM | PART NUMBER | QTY | DESCRIPTION | REV |
|------|-------------|----------------|--|-----|
| 42 | 3311605 | 16 | Locknut 3/8in-16NC | |
| 43 | 3311801 | 1 | Nut 1/2in-13NC | |
| 44 | 3311805 | 4 | Locknut 1/2in-13NC | |
| 45 | 3574206 | 1 | Plate, Motor Mount | |
| 46 | 3574207 | 1 | Plate, Engine Mount (Rear) | |
| 47 | 3574208 | 1 | Bracket, Muffler | |
| 48 | 3620047 | 1 | Radiator | |
| 48A | 7027412 | 1 | Cap | |
| 48B | 70004182 | 1 | Shroud, Fan | |
| 49 | 3740067 | 2 | Relay, Solenoid Assembly | |
| 50 | 3960468 | 1 | Seal, Foam Gasket | |
| 51 | 3960469 | 1 | Seal, Foam Gasket | |
| 52 | 4031911 | 4 | Bolt M8 x 35mm | |
| 53 | 4060805 | 2 ft /0.7mm | Flex-Trim 1/4in | |
| 54 | 4220191 | 2 | Block, Spacer | |
| 55 | 4567073 | 1 | Tube, Exhaust | |
| 56 | 4568721 | 1 | Exhaust Tube Weldment | |
| 57 | 4711500 | 8 | Flatwasher 5/16in Thin | |
| 58 | 4711600 | 2 | Flatwasher 3/8in Thin | |
| 59 | 4740274 | 4 | Washer, Snubbing | |
| 60 | 4751400 | 24 | Flatwasher 1/4in Regular | |
| 61 | 4751500 | 2 | Flatwasher 5/16in Regular | |
| 62 | 4751600 | 44 | Flatwasher 3/8in Regular | |
| 63 | 4751800 | 1 | Flatwasher 1/2in Regular | |
| 64 | 4811900 | 4 | Flatwasher M8 | |
| 65 | 4812100 | 8 | Flatwasher M12 | |
| 66 | 4832000 | 8 | Lockwasher M10 | |
| 67 | 4846790 | 1 | Tray Engine | |
| 68 | 4846805 | 1 | Mount, Engine/Generator - Left | |
| 69 | 8405009 | 2 | Clamp, Hose | |
| 70 | 8405104 | 4 | Clamp, Hose | |
| 71 | 88521205 | 2 | Locknut 5/16in-18NC | |
| 72 | 91401281 | 1 | Hold-down, Battery | |
| 73 | 1001093382 | 2 | Rod, Hold-Down | |
| 74 | 1001105833 | NLA | Valve, Oil Drain (Use p/n 4640750) | |
| 74 | 0100020 | AR | Sealant, Pipe | |
| 75 | 1001109595 | 1 | Plate, Radiator Mounting | |
| 76 | 1001112077 | 1 | Caterpillar Tier IVi Engine Assembly | |
| 77 | 1001107705 | 1 | Hose, Radiator (Top) | |
| 78 | 4791400 | 4 | Starwasher 1/4in | |
| | | Ref | CATERPILLAR TIER IVi ENGINE INSTALLATIONS | |
| | 1001110210 | Ref | 2WD Without Arctic Package | D |
| | 1001110211 | Ref | 4WD Without Arctic Package | D |
| | 1001110209 | Ref | 4WD With Arctic Package | D |
| 101 | 0100011 | AR | Compound, Locking | |
| 102 | 0100020 | AR | Sealant, Thread | |
| 103 | 0641507 | 3 | Bolt 5/16in-18NC x 7/8in | |
| 104 | 0641510 | 2 | Bolt 5/16in-18NC x 1-1/4in | |
| 105 | 3900272 | 3 | Bolt 5/16in-18NC x 1-3/4in | |
| 106 | 0641610 | 1 | Bolt 3/8in-16NC x 1-1/4in | |
| 107 | 0641808 | 1 | Bolt 1/2in-13NC x 1in | |

SECTION 2 - TURNTABLE

| ITEM | PART NUMBER | QTY | DESCRIPTION | REV |
|------|-------------|------------------|---|-----|
| 108 | 0642010 | 1 | Bolt 5/8in-11NC x 1-1/4in | |
| 109 | 1320022 | 7 | Clamp, Hose | |
| 110 | 1320176 | 1 | Clamp | |
| 111 | 1701505 | 1 | Decal - Diesel (Not Shown - Located on Hood) | |
| 112 | 2180348 | 1 | Fitting | |
| 113 | 2220313 | 1 | Fitting,90 | |
| 114 | 2221176 | 1 | Fitting | |
| 115 | | Ref | Fluid, Anti-Freeze Options (Not Shown): | |
| 115 | 2300004 | 2.6 gal /9.8L | Machines without Arctic Package | |
| 115 | 2300041 | 2.6 gal /9.8L | Machines with Arctic Package | |
| 116 | 2720058 | 30 ft/9.1m | Hose | |
| 117 | 2750532 | 6 ft/1.8m | Hose 3/8in | |
| 118 | 3311505 | 8 | Locknut 5/16in-18NC | |
| 119 | 3380429 | 1 | Panel, Rubber | |
| 120 | 3422446 | 1 | Pin, Pivot | |
| 121 | 3460544 | 1 | Pipe, Exhaust | |
| 122 | 3539957 | 2 | Plate, Hold Down | |
| 123 | 3841143 | 1 | Keeper, Pin | |
| 124 | 4751500 | 4 | Flatwasher 5/16in Regular | |
| 125 | 4752000 | 1 | Flatwasher 5/8in Regular | |
| | | Ref | Note: Arctic Package Items 127-130 Not Shown - Used on Arctic Machines Only. | |
| 127 | 1060625 | 1 | Cable, Immersion Heater | |
| 128 | 1320223 | 1 | J-Clip 1/2in | |
| 129 | 1702943 | 1 | Decal - Hydraulic Tank Heater (Located on bottom of Hydraulic Oil Tank) | |
| 130 | 2580050 | 1 | Heater, Hydraulic Tank | |
| | | Ref | CATERPILLAR TIER IVi ENGINE WITH PUMPS ASSEMBLIES | |
| | 1001110202 | Ref | 2WD Without Arctic Package | B |
| | 1001110203 | Ref | 4WD Without Arctic Package | B |
| | 1001110201 | Ref | 4WD With Arctic Package | B |
| 201 | 0100011 | AR | Compound, Locking | |
| 202 | 0641407 | 1 | Bolt 1/4in-20NC x 7/8in | |
| 203 | 0641812 | 2 | Bolt 1/2in-18NC x 1-3/4in | |
| 204 | | Ref | Oil, Motor Options (Not Shown): | |
| 204 | 3020016 | 2.5 gal /9.5L | Oil, Motor 15W-40 (Without Arctic Package) | |
| 204 | 3020044 | 2.5 gal /9.5L | Oil, Motor 0W-40 (With Arctic Package) | |
| 205 | 3311405 | 1 | Locknut 1/4in-20NC | |
| 206 | 3422532 | 1 | Pin, Hitch | |
| 207 | | Ref | Piston Pump Assembly Options (See PISTON PUMP ASSEMBLY for Breakdown): | |
| 207 | 3600394 | 1 | Piston Pump Assembly 2WD | |
| 207 | 1001117799 | 1 | Piston Pump Assembly 4WD | |
| 208 | 3600395 | 1 | Gear Pump Assembly (See Gear Pump Assembly for Breakdown) | |
| 209 | 3790152 | 1 | O-Ring | |
| 210 | 3931620 | 2 | Bolt 3/8in-16NC x 1-1/4in | |
| 211 | 3960389 | 5 ft/1.5m | Seal, Hood | |
| 212 | 4751400 | 1 | Flatwasher 1/4in Regular | |

SECTION 2 - TURNTABLE

| ITEM | PART NUMBER | QTY | DESCRIPTION | REV |
|------|-------------|-----|---|-----|
| 213 | 4891600 | 2 | Flatwasher 3/8in Hardened | |
| 215 | 1001112763 | 1 | Battery Cable Kit | B |
| 215A | 7027028 | 1 | Cable, Battery (Red) | |
| 215B | 7027029 | 1 | Cable, Battery (Black) | |
| 215C | 7027002 | 1 | Cable (Red) | |
| 215D | 7027033 | 1 | Cable (Black) | |
| | | Ref | Note: Arctic Package Items 216 - 226 Not Shown - Used on Arctic Machines Only. | |
| 216 | 0641608 | 2 | Bolt 3/8in-16NC x 1in | |
| 217 | 1060626 | 1 | Cord, 3-Way Extension (Located on Left Front of Engine) | |
| 218 | 1320223 | 2 | Clamp | |
| 219 | 1702941 | 1 | Decal - Battery Heater (Located on Battery Heater) | |
| 220 | 1702942 | 1 | Decal - Engine Block Heater (Located on Right Side of Engine) | |
| 221 | 1702944 | 1 | Decal - Heater Cord (Located on Left Front of Engine) | |
| 222 | 2580024 | 1 | Heater, Battery (Located on Battery) | |
| 223 | 2580055 | 1 | Heater, Block (Located on Left Side of Engine) | |
| 224 | 3311605 | 2 | Locknut 3/8in-16NC | |
| 225 | 3980007 | 1 | Seat, Battery (Located Under Battery) | |
| 226 | 4751600 | 2 | Flatwasher 3/8in Regular | |
| | 1001112077 | Ref | CATERPILLAR TIER IVI ENGINE WITH ECM ASSEMBLY | E |
| 301 | 0100011 | AR | Compound, Locking | |
| 302 | 0100020 | AR | Sealant, Thread | |
| 303 | 0700620 | 1 | Bolt M6 x 60mm | |
| 304 | 0700808 | 5 | Bolt M8 x 16mm | |
| 305 | 0701010 | 2 | Bolt M10 x 20mm | |
| 306 | 0760606 | 2 | Bolt M6 x 12mm | |
| 307 | 0760610 | 2 | Bolt M6 x 20mm | |
| 308 | 0760612 | NLA | Bolt M6 x 25mm (Use p/n 4031709) | |
| 309 | 8303541 | 1 | Screw M6 x 35mm | |
| 310 | 0700616 | 2 | Bolt M6 x 40mm | |
| 311 | 0761210 | 2 | Bolt M12 x 20mm | |
| 312 | 8406009 | 1 | Clamp, Cable | |
| 313 | 1320224 | 1 | Clamp, Cable | |
| 314 | 8406105 | 2 | Clip, Tube | |
| 315 | 3290507 | 1 | Locknut M5 | |
| 316 | 4811700 | 12 | Flatwasher M6 | |
| 317 | 4811900 | 5 | Flatwasher M8 | |
| 318 | 4812000 | 2 | Flatwasher M10 | |
| 319 | 4812100 | 2 | Flatwasher M12 | |
| 320 | 4811600 | 1 | Flatwasher M5 | |
| 321 | 1001097553 | 1 | Washer, Coolant Sensor | |
| 322 | 1001109064 | 1 | Caterpillar Tier IVi Engine Assembly | |
| 323 | 1001112057 | 1 | Bracket | |
| 324 | 1001112059 | 5 | Bumper | |
| 325 | 1001112067 | 1 | ECM | |
| 326 | 1001112068 | 1 | Sensor, Speed | |
| 327 | 1001112069 | 1 | Sensor, Temperature | |
| 328 | 1001112070 | 1 | Switch, Oil Pressure | |
| 329 | 1001112071 | 1 | Harness, Engine (Not Shown - See ELECTRICAL SECTION for Breakdown) | |
| 330 | 1001112072 | 1 | Bracket | |
| 331 | 1001112073 | 1 | Actuator | |

SECTION 2 - TURNTABLE

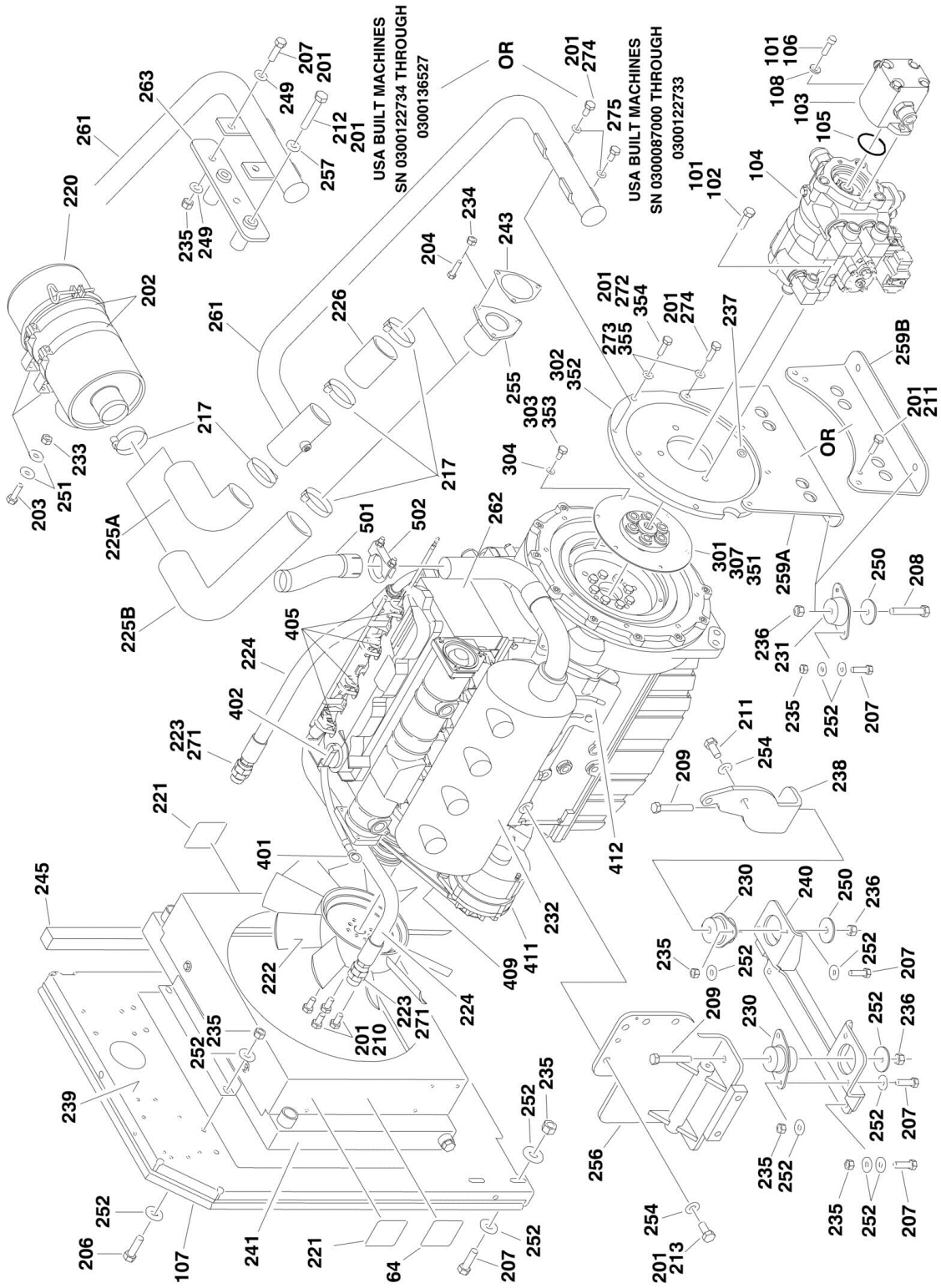
| ITEM | PART NUMBER | QTY | DESCRIPTION | REV |
|------|-------------|-----|--|-----|
| 331 | 1001112849 | 1 | Linkage Assembly | |
| 332 | 1001112570 | 1 | Spacer | |
| 334 | 1320263 | 1 | Clamp, Cable | |
| 335 | 1001112075 | 1 | Bolt | |
| 336 | 1001112592 | 1 | Bearing | |
| 337 | 1001116595 | 1 | Spacer | |
| 338 | 8406109 | 1 | Clip, Tube | |
| | 1001109064 | Ref | ENGINE COMPONENTS | B |
| 401 | 70001051 | 1 | Valve, Crankcase Actuator Shut-Off | |
| 402 | 70001120 | 1 | Pump, Water | |
| 402 | 70001742 | 1 | Pulley, Water Pump | |
| 402 | 70002765 | 1 | Hose, By-Pass (Not Shown) | |
| 403 | See Note | NSS | Head, Cylinder (Note: Not Available for Purchase) | |
| 403 | 7026801 | 1 | Gasket, Valve Cover | |
| 403 | 70002764 | 1 | Gasket, Rear Head | |
| 403 | 70002762 | 15 | Seat, Valve | |
| 403 | 70002761 | 17 | Bolt, Head | |
| 404 | 7026839 | 1 | Pump, Fuel Supply | |
| 404 | 7026830 | 1 | Element, Fuel Filter | |
| 404 | 70002834 | 1 | Bowl, Water Collection | |
| 404 | 70002835 | 1 | Seal Kit - Water Separator | |
| 404 | 70002833 | 1 | Ring, Fuel Pump Retaining | |
| 405 | 70002844 | 1 | Dipstick Oil Level | |
| 405 | 70002843 | 1 | Seal, Dipstick Tube | |
| 406 | 70002845 | 1 | Pump, Oil (Not Shown) | |
| 406 | 70002846 | 1 | O-Ring, Oil Pump (Not Shown) | |
| 407 | 70002849 | 1 | Pump, Fuel Injection | |
| 407 | 70002847 | 1 | O-Ring, Fuel Injection Pump Flange | |
| 407 | 70002848 | 1 | Gasket, Fuel Injection Pump | |
| 407 | 70002850 | 1 | Solenoid, Fuel Shut-Off | |
| 409 | 7026802 | 1 | Flywheel | |
| 409 | 7026803 | 1 | Gear, Flywheel | |
| 409 | 7026804 | 1 | Gasket (Not Shown - Between Flywheel Housing and Engine Block) | |
| 409 | 7026805 | 1 | Seal, Rear Main (Not Shown - Rear of Flywheel Housing) | |
| 409 | 7026807 | 1 | Seal, Front Main (Located in Front Housing) | |
| 410 | 7026800 | 1 | Cap Oil Filler (Top of Valve Cover) | |
| 411 | 7026806 | 1 | Cap, Filler (Front Side of Engine) | |
| 412 | 7026810 | 1 | V-Belt | |
| 413 | 7026811 | 1 | Filter, Oil | |
| 413 | 7026812 | 1 | O-Ring (Between Bolt and Oil Filter Bracket) | |
| 413 | 7026813 | 1 | O-Ring (Between Oil Filter Bracket and Engine Block) | |
| 414 | 7026819 | 1 | Engine Cooler Assembly (Not Shown) | |
| 414 | 7026816 | 2 | O-Ring (Between Cover and Cooler) | |
| 414 | 7026817 | 4 | O-Ring (Between Cover and Cooler) | |
| 415 | 7026822 | 1 | Thermostat | |
| 415 | 7026821 | 1 | Gasket (Between Regulator and Thermostat Housing) | |
| 415 | 7026820 | 1 | Gasket (Between Regulator and Engine Head) | |
| 416 | 7026814 | 1 | Relief Valve, Oil Pressure (Not Shown) | |
| 416 | 7026815 | 1 | Gasket, Relief Valve | |
| 417 | See Note | NSS | Injector, Fuel (Not Shown) (Note: Not Available for Purchase) | |
| 417 | 70002763 | 4 | Gasket, Fuel Line (Not Shown) | |

SECTION 2 - TURNTABLE

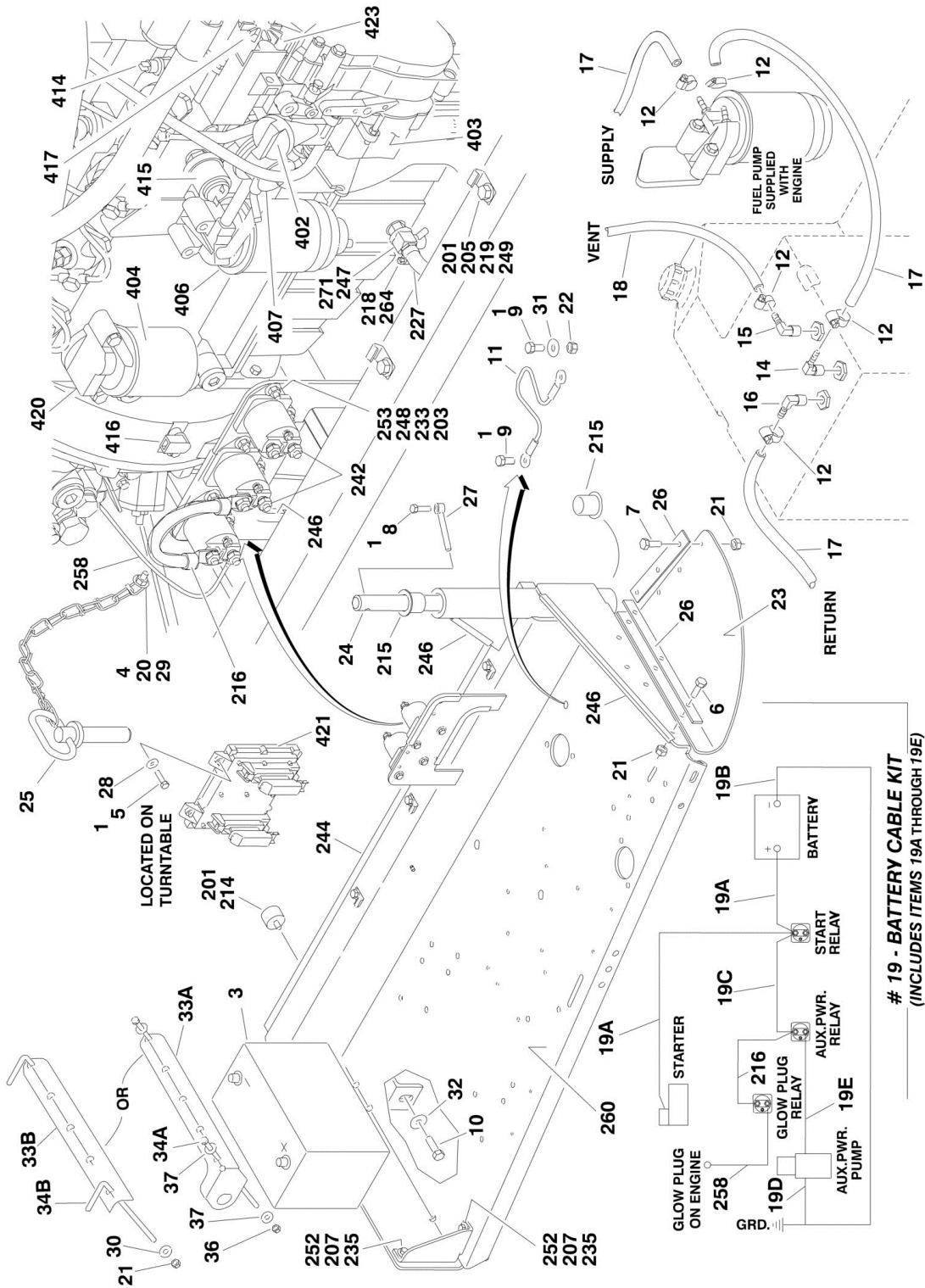
| ITEM | PART NUMBER | QTY | DESCRIPTION | REV |
|-------------|--------------------|------------|---|------------|
| 418 | 7026831 | 1 | Alternator | |
| 419 | 7026832 | 1 | Plug, Glow (Not Shown) | |
| 420 | 7026833 | 1 | Starter (Not Shown - Located on other side of engine) | |
| 421 | 7026826 | 1 | Gasket, Exhaust Manifold to Cylinder Head (Not Shown) | |
| 421 | 7026827 | 1 | Gasket, Exhaust Manifold to Exhaust Pipe (Not Shown) | |
| 421 | 70002852 | 4 | Stud, Exhaust Manifold (Not Shown) | |
| 422 | 7026829 | 1 | Gasket, Intake Manifold to Cylinder Head (Not Shown) | |
| 422 | 7026828 | 1 | Gasket, Intake Manifold to Intake Tube (Not Shown) | |
| 423 | 7026808 | 1 | Plug, Oil Pan (Not Shown) | |
| 423 | 7026809 | 1 | Gasket, Oil Plug | |
| 424 | 70002851 | 1 | Gasket Kit (Not Shown) | |
| 425 | 4569371 | 1 | Tube, Intake | |

SECTION 2 - TURNTABLE

FIGURE 2-11. DEUTZ ENGINE INSTALLATION



SECTION 2 - TURNTABLE



19 - BATTERY CABLE KIT
(INCLUDES ITEMS 19A THROUGH 19E)

SECTION 2 - TURNTABLE

FIGURE 2-11. DEUTZ ENGINE INSTALLATION

| ITEM | PART NUMBER | QTY | DESCRIPTION | REV |
|------|-------------|------------|---|-----|
| | | Ref | DEUTZ ENGINE INSTALLATIONS | |
| | | Ref | 2WD Without Arctic Package | |
| | | Ref | USA Built Machines | |
| | 0274298 | Ref | Tier II Engines (SN 0300087000 through 0300126188) | G |
| | 1001099216 | Ref | Tier III/IVi Engines (SN 0300126189 through 0300169952) | E |
| | 1001099216 | Ref | Tier III/IVi Engines (All Specs except ANSI, CSA and Japanese Specs) (SN 0300169953 through 0300171769) | E |
| | 1001137762 | Ref | Tier IVi-Flex Engines (ANSI, CSA and Japanese Specs) (SN 0300169953 through 0300171769) | B |
| | | Ref | 4WD Without Arctic Package | |
| | | Ref | USA Built Machines | |
| | 0274297 | Ref | Tier II Engines (SN 0300087000 through 0300126188) | H |
| | 1001094104 | Ref | Tier III/IVi Engines (SN 0300126189 through 0300169952) | E |
| | 1001094104 | Ref | Tier III/IVi Engines (All Specs except ANSI, CSA and Japanese Specs) (SN 0300169953 through 0300171769) | E |
| | 1001137763 | Ref | Tier IVi-Flex Engines (ANSI, CSA and Japanese Specs) (SN 0300169953 through 0300171769) | B |
| | | Ref | China Built Machines | |
| | 1001094104 | Ref | Tier III/IVi Engines (SN B300000100 to Present) | E |
| | | Ref | 4WD With Arctic Package | |
| | | Ref | USA Built Machines | |
| | 0275343 | Ref | Tier II Engines (SN 0300087000 through 0300126188) | E |
| | 1001099215 | Ref | Tier III/IVi Engines (SN 0300126189 through 0300169952) | E |
| | 1001099215 | Ref | Tier III/IVi Engines (All Specs except ANSI, CSA and Japanese Specs) (SN 0300169953 through 0300171769) | E |
| | 1001137764 | Ref | Tier IVi-Flex Engines (ANSI, CSA and Japanese Specs) (SN 0300169953 through 0300171769) | B |
| | | Ref | China Built Machines | |
| | 1001099215 | Ref | Tier III/IVi Engines (SN B300000100 through B300000969) | E |
| 1 | 0100011 | AR | Compound, Locking | |
| 2 | 0100020 | AR | Sealant, Pipe (Not Shown) | |
| 3 | 0400075 | 1 | Battery | |
| 4 | 0641407 | 1 | Bolt 1/4in-20NC x 7/8in | |
| 5 | 0641410 | 4 | Bolt 1/4in-20NC x 1-1/4in | |
| 6 | 0641508 | 3 | Bolt 5/16in-18NC x 1in | |
| 7 | 3900272 | 3 | Bolt 5/16in-18NC x 1-3/4in | |
| 8 | 0641610 | 1 | Bolt 3/8in-16NC x 1-1/4in | |
| 9 | 0641808 | 2 | Bolt 1/2in-13NC x 1in | |
| 10 | 0642010 | 1 | Bolt 5/8in-11NC x 1-1/4in | |
| 11 | 1060637 | 1 | Cable, Lanyard | |
| 12 | 1320022 | AR | Clamp, Hose | |
| 13 | 1701505 | 1 | Decal - Diesel (Not Shown - Located on Hood) | |
| 14 | 2180348 | 1 | Fitting, Straight Barbed | |
| 15 | 2220313 | 1 | Fitting, 90 | |
| 16 | 2221176 | 1 | Fitting, 90 Barbed | |
| 17 | 2720058 | 26 ft/7.9m | Hose | |
| 18 | 2750532 | 6 ft/1.8m | Hose | |
| 19 | 2902296 | 1 | Battery Cable Kit | B |
| | | Ref | Note: 2902296 Rev A version is no longer available. Verify whether machine is equipped with 2 or 3 relays on the engine tray. If there are 3 relays, purchase latest revision of 2902296 kit. If there are 2 relays, purchase individual | |

SECTION 2 - TURNTABLE

| ITEM | PART NUMBER | QTY | DESCRIPTION | REV |
|------|-------------|-----|--|-----|
| | | | items as replacement. | |
| 19A | | Ref | Cable, Battery (Red) | |
| 19A | 1001116241 | 1 | Machines with 2 Relays on Engine Tray (was p/n 7027000) | |
| 19A | 1001116240 | 1 | Machines with 3 Relays on Engine Tray (was p/n 7027000) | |
| 19B | 7027004 | 1 | Cable, Battery (Black) | |
| 19C | 7027001 | 1 | Cable (Red) (No Longer Part of 2902296 Kit - Used on USA Built Machines) (SN 0300087000 through 0300138090) | |
| 19D | 7027003 | 1 | Cable (Black) | |
| 19E | 7027002 | 1 | Cable (Red) | |
| 20 | 3311405 | 1 | Locknut 1/4in-20NC | |
| 21 | | Ref | Locknut Options: | |
| 21 | 3311505 | AR | Locknut 5/16in-18NC | |
| 21 | 88521205 | AR | Locknut with Nylon Lock 5/16in-18NC | |
| 22 | 3311801 | 1 | Nut 1/2in-13NC | |
| 23 | 3380429 | 1 | Panel, Rubber | |
| 24 | 3422446 | 1 | Pin, Pivot | |
| 25 | 3422532 | 1 | Pin, Hitch with Chain | |
| 26 | 3539957 | 2 | Plate, Hold-Down | |
| 27 | 3841143 | 1 | Pin, Keeper | |
| 28 | 4711400 | 4 | Flatwasher 1/4in Thin | |
| 29 | 4751400 | 1 | Flatwasher 1/4in Regular | |
| 30 | 4751500 | AR | Flatwasher 5/16in Regular | |
| 31 | 4751800 | 1 | Flatwasher 1/2in Regular | |
| 32 | 4752000 | 1 | Flatwasher 5/8in Regular | |
| 33 | | Ref | Hold-Down, Battery Options: | |
| 33A | 0181727 | 1 | USA Built Machines (SN 0300087000 through 0300110250) | |
| 33B | 91401281 | 1 | USA Built Machines (SN 0300110251 through 0300171769) | |
| 33B | 91401281 | 1 | China Built Machines (SN B300000100 through B300000969) | |
| 34 | | Ref | Hardware, Battery Hold-down Options: | |
| 34A | 0630498 | 2 | USA Built Machines(Bolt) (SN 0300087000 through 0300110250) | |
| 34B | 1001093382 | 2 | USA Built Machines (J-Hook) (SN 0300110251 through 0300171769) | |
| 34B | 1001093382 | 2 | China Built Machines (J Hook) (SN B300000100 through B300000969) | |
| 36 | 3311605 | AR | Locknut 3/8in-16NC | |
| 36 | 88521205 | AR | Locknut 5/16in-18NC | |
| 37 | 4751600 | AR | Flatwasher 3/8in Regular | |
| | | Ref | Note: Arctic Package Items (Used on Arctic Machines Only) - Items 51-62 Not Shown. | |
| 51 | 1060626 | 1 | Cord, 3 Way Extension (Located on Left Front of Engine) | |
| 52 | 1702941 | 1 | Decal - Battery Heater (Located on Battery Heater) | |
| 53 | 1702942 | 1 | Decal - Engine Block Heater (Located on Right Side of Engine) | |
| 54 | 1702943 | 1 | Decal - Hyd Tank Heater (Located on bottom of Hyd Oil Tank) | |
| 55 | 1702944 | 1 | Decal - Heater Cord (Located on Left Front of Engine) | |
| 56 | 2580024 | 1 | Heater, Battery (Located on Battery) | |
| 57 | 2580050 | 1 | Heater, Hydraulic Tank (Located on Bottom of Hyd Oil Tank) | |
| 58 | 3980007 | 1 | Seat, Battery (Located on Battery) | |
| 59 | 0641507 | 1 | Bolt 5/16in-18NC x 7/8in | |
| 60 | 0641608 | 1 | Bolt 3/8in-16NC x 1in | |
| 61 | 1060625 | 1 | Cable, Immersion Heater (Located on bottom of Hyd Oil Tank) | |

SECTION 2 - TURNTABLE

| ITEM | PART NUMBER | QTY | DESCRIPTION | REV |
|------|-------------|-----|--|-----|
| 62 | 1320223 | 2 | Clamp | |
| 64 | | Ref | Decal - Warning Explosion/Fire Options: | |
| 64 | 1704972 | 1 | ANSI Spec | |
| 64 | 1706098 | 1 | Australian and CE Spec | |
| 64 | 1706059 | 1 | Brazilian Spec | |
| 64 | 1706060 | 1 | Chinese Spec | |
| 64 | 1706064 | 1 | CSA Spec | |
| 64 | 1706062 | 1 | Japanese Spec | |
| 64 | 1706061 | 1 | Korean Spec | |
| 64 | 1706063 | 1 | Spanish Language | |
| | | Ref | ENGINE AND PUMP ASSEMBLIES | |
| | | Ref | 2WD Without Arctic Package | |
| | | Ref | USA Built Machines | |
| | 2000281 | Ref | Tier II Engines (SN 0300087000 through 0300126188) | D |
| | 1001099217 | Ref | Tier III/IVi Engines (SN 0300126189 through 0300169952) | E |
| | 1001099217 | Ref | Tier III/IVi Engines (All Specs except ANSI, CSA and Japanese Specs) (SN 0300169953 through 0300171769) | E |
| | 1001137761 | Ref | Tier IVi-Flex Engines (ANSI, CSA and Japanese Specs) (SN 0300169953 through 0300171769) | B |
| | | Ref | 4WD Without Arctic Package | |
| | | Ref | USA Built Machines | |
| | 2000280 | Ref | Tier II Engines (SN 0300087000 through 0300126188) | E |
| | 1001094103 | Ref | Tier III/IVi Engines (SN 0300126189 through 0300169952) | G |
| | 1001094103 | Ref | Tier III/IVi Engines (All Specs except ANSI, CSA and Japanese Specs) (SN 0300169953 through 0300171769) | G |
| | 1001137750 | Ref | Tier IVi-Flex Engines (ANSI, CSA and Japanese Specs) (SN 0300169953 through 0300171769) | B |
| | | Ref | China Built Machines | |
| | 1001094103 | Ref | Tier III/IVi Engines (SN B300000100 through B300000969) | E |
| | | Ref | 4WD With Arctic Package | |
| | | Ref | USA Built Machines | |
| | 2000366 | Ref | Tier II Engines (SN 0300087000 through 0300126188) | C |
| | 1001098475 | Ref | Tier III/IVi Engines (SN 0300126189 through 0300169952) | F |
| | 1001098475 | Ref | Tier III/IVi Engines (All Specs except ANSI, CSA and Japanese Specs) (SN 0300169953 through 0300171769) | F |
| | 1001137753 | Ref | Tier IVi-Flex Engines (ANSI, CSA and Japanese Specs) (SN 0300169953 through 0300171769) | B |
| | | Ref | China Built Machines | |
| | 1001098475 | Ref | Tier III/IVi Engines (SN B300000100 through B300000969) | F |
| 101 | 0100011 | AR | Compound, Locking | |
| 102 | 0641812 | 2 | Bolt 1/2in-13NC x 1-1/2in | |
| 103 | 3600395 | 1 | Gear Pump Assembly with Fittings (See GEAR PUMP ASSEMBLY for Breakdown) | |
| 104 | | Ref | Piston Pump Assembly with Fittings Options (See PISTON PUMP ASSEMBLY for Breakdown): | |
| 104 | 3600394 | 1 | 2WD | |
| 104 | 3600396 | 1 | 4WD (USA Built Machines) (SN 0300087000 through 0300139335) | |
| 104 | 1001117799 | 1 | 4WD (USA Built Machines) (SN 0300139336 through 0300171769) | |
| 104 | 1001117799 | 1 | 4WD (China Built Machines) (SN B300000100 through B300000969) | |
| 105 | 3790152 | 1 | O-Ring | |
| 106 | 3931620 | 2 | Capscrew 3/8in-16NC x 1-1/4in | |

SECTION 2 - TURNTABLE

| ITEM | PART NUMBER | QTY | DESCRIPTION | REV |
|------|-------------|---------------------|--|-----|
| 107 | 3960389 | 5 ft/1.5m | Seal | |
| 108 | 4891600 | 2 | Flatwasher 3/8in Hardened | |
| 109 | 3020016 | 3.75 gal /14.19L | Oil, Motor (Not Shown) | |
| | | Ref | ENGINE ASSEMBLIES | |
| | | Ref | Machines Without Arctic Package | |
| | | Ref | USA Built Machines | |
| | 2000279 | Ref | Tier II Engines (SN 0300087000 through 0300092725) | E |
| | 2000342 | Ref | Tier II Engines (SN 0300092726 through 0300126188) | B |
| | 1001094102 | Ref | Tier III/IVi Engines (SN 0300126189 through 0300169952) | I |
| | 1001094102 | Ref | Tier III/IVi Engines (All Specs except ANSI, CSA and Japanese Specs) (SN 0300169953 through 0300171769) | I |
| | 1001137749 | Ref | Tier IVi-Flex Engines (ANSI, CSA and Japanese Specs) (SN 0300169953 through 0300171769) | B |
| | | Ref | China Built Machines | |
| | 1001094102 | Ref | Tier III/IVi Engines (SN B300000100 through B300000969) | I |
| | | Ref | Machines With Arctic Package | |
| | | Ref | USA Built Machines | |
| | 2000365 | Ref | Tier II Engines (SN 0300087000 through 0300126188) | B |
| | 1001098476 | Ref | Tier III/IVi Engines (SN 0300126189 through 0300169952) | I |
| | 1001098476 | Ref | Tier III/IVi Engines (All Specs except ANSI, CSA and Japanese Specs) (SN 0300169953 through 0300171769) | I |
| | 1001137752 | Ref | Tier IVi-Flex Engines (ANSI, CSA and Japanese Specs) (SN 0300169953 through 0300171769) | B |
| | | Ref | China Built Machines | |
| | 1001098476 | Ref | Tier III/IVi Engines (SN B300000100 through B300000969) | I |
| | 0256690 | Ref | MUFFLER INSTALLATION - CATALYTIC | - |
| 201 | 0100011 | AR | Compound, Locking | |
| 202 | 0340041 | 2 | Band, Air Cleaner | |
| 203 | 0641407 | AR | Bolt 1/4in-20NC x 7/8in | |
| 204 | 0641510 | 3 | Bolt 5/16in-18NC x 1-1/4in | |
| 205 | 0641606 | 3 | Bolt 3/8in-16NC x 3/4in | |
| 206 | | Ref | Bolt Options: | |
| 206 | 0641610 | AR | Bolt 3/8in-16NC x 1-1/4in | |
| 206 | 0641609 | AR | Bolt 3/8in-16NC x 1-1/8in | |
| 207 | | Ref | Bolt Options: | |
| 207 | 0641608 | AR | Bolt 3/8in-16NC x 1in | |
| 207 | 0641610 | AR | Bolt 3/8in-16NC x 1-1/4in | |
| 208 | 0641818 | 2 | Bolt 1/2in-13NC x 2-1/4in | |
| 209 | 0641826 | 2 | Bolt 1/2in-13NC x 3-1/4in | |
| 210 | 0700808 | 4 | Bolt 8mm x 16mm | |
| 211 | 0701414 | AR | Bolt 14mm x 30mm | |
| 212 | 0711025 | AR | Bolt 10mm x 85mm (USA Built Machines) (SN 0300087000 through 0300136527) | |
| 213 | 0711414 | AR | Bolt 14mm x 30mm | |
| 214 | 0940070 | 1 | Bumper | |
| 215 | 0961986 | 2 | Bushing, Flanged | |
| 216 | 1060904 | 1 | Cable, Jumper (USA Built Machines) (SN 0300092726 through 0300171769) | |
| 216 | 1060904 | 1 | Cable, Jumper (China Built Machines) (SN B300000100 through B300000969) | |
| 217 | 1320016 | AR | Clamp | |
| 218 | 1320022 | 1 | Clamp, Hose (USA Built Machines) (SN 0300087000 through | |

SECTION 2 - TURNTABLE

| ITEM | PART NUMBER | QTY | DESCRIPTION | REV |
|------|-------------|------------------|--|-----|
| | | | 0300136527) | |
| 219 | 1320223 | 4 | J-Clip | |
| 220 | 1340060 | 1 | Air Cleaner Assembly Filter Element | |
| 220 | 7012664 | 1 | Element, Filter (Not Shown) | |
| 221 | 1703162 | 2 | Decal - Caution Fan Blade | |
| 222 | 2060025 | 1 | Fan | |
| 223 | 2220451 | 2 | Fitting, Straight | |
| 224 | 2720398 | 2 | Hose, Oil Cooler | |
| 225 | | Ref | Elbow, Rubber Options: | |
| 225A | 2720434 | 1 | Elbow USA Built Machines (SN 0300087000 through 0300136526) | |
| 225B | 1001091179 | 1 | Elbow USA Built Machines (SN 0300136527 through 0300171769) | |
| 225B | 1001091179 | 1 | Elbow China Built Machines (SN B300000100 through B300000969) | |
| 226 | 2720449 | 1 | Hose, Air Cleaner (USA Built Machines) (SN 0300087000 through 0300136527) | |
| 227 | | Ref | Hose Options: | |
| 227 | 2750532 | 1 ft/30cm | Hose - 3/8in | |
| 227 | 1001091892 | 6 in/15cm | Hose - 5/8in | |
| 229 | | Ref | Oil, Motor Options (Not Shown): | |
| 229 | 3020016 | 3.75 gal /14.19L | Without Arctic Package | |
| 229 | 3020044 | 3.75 gal /14.19L | With Arctic Package | |
| 230 | 3200362 | 2 | Mount, Motor | |
| 231 | 3200406 | 2 | Mount, Motor | |
| 232 | | Ref | Muffler Options: | |
| 232 | 3220103 | 1 | Muffler, Spark Arresting (Standard) | |
| 232 | 3220104 | 1 | Muffler, Catalytic (Optional) | |
| 232 | | Ref | Muffler Components: | |
| 232 | | Ref | Clamp Options: | |
| 232 | 1320176 | 1 | Saddle Clamp Used on Spark Arresting | |
| 232 | 70001017 | 1 | Band Clamp Used on Catalytic | |
| 232 | 7024398 | 1 | Tube, Exhaust | |
| 232 | 7024560 | 1 | Plug, Brass | |
| 233 | 3311405 | AR | Locknut 1/4in-20NC | |
| 234 | 3311505 | 3 | Locknut 5/16in-18NC | |
| 235 | 3311605 | AR | Locknut 3/8in-16NC | |
| 236 | 3311805 | 4 | Locknut 1/2in-13NC | |
| 237 | 3520054 | 2 | Plug, Hole (SN 0300126189 through 0300171769) | |
| 238 | 3537416 | 1 | Plate, Engine Mounting (Front Right Side) | |
| 239 | 3539872 | 1 | Plate, Radiator Mounting | |
| 240 | 3539971 | 1 | Plate, Engine Mounting (Front Bottom) | |
| 241 | 3620033 | NLA | Radiator (Use p/n 1001150998)(USA Built Machine) (SN 0300087000 through 0300171410) | |
| 241 | 1001150998 | 1 | Radiator, (USA Built Machine) (SN 0300171411 through 0300171769) | |
| 241 | 3620033 | NLA | Radiator (Use p/n 1001150998) (China Built Machine) (SN B300000100 through B300000868) | |
| 241 | 1001150998 | 1 | Radiator, (China Built Machine) (SN B300000869 through B300000969) | |
| 242 | 3740067 | Ref | Relay Options: | |
| 242 | 3740067 | 2 | Relay USA Built Machines (SN 0300087000 through | |

SECTION 2 - TURNTABLE

| ITEM | PART NUMBER | QTY | DESCRIPTION | REV |
|------|--------------|----------|--|-----|
| 242 | 3740067 | 3 | 0300092725) Relay USA Built Machines (SN 0300092726 through 0300171769) | |
| 242 | 3740067 | 3 | Relay China Built Machines (SN B300000100 through B300000969) | |
| 243 | 3960407 | 1 | Gasket, Air Intake | |
| 244 | 3960468 | 1 | Seal | |
| 245 | 3960469 | 1 | Seal | |
| 246 | 4060805 | 37 in/1m | Flex-Trim | |
| 247 | 1001104308 | NLA | Valve, Oil Drain (Use p/n 4640751) | |
| 248 | | Ref | Flatwasher Options: | |
| 248 | 4751400 | 6 | Flatwasher 1/4in Regular | |
| 248 | 4711400 | 6 | Flatwasher 1/4in Thin | |
| 249 | 4711600 | AR | Flatwasher 3/8in Thin | |
| 250 | 4740274 | 4 | Washer, Snubbing | |
| 251 | 4751400 | AR | Flatwasher 1/4in Regular | |
| 252 | 4751600 | AR | Flatwasher 3/8in Regular | |
| 253 | 4791400 | AR | Starwasher 1/4in | |
| 254 | | Ref | Flatwasher Options: | |
| 254 | 4711900 | 6 | Flatwasher 9/16in Thin | |
| 254 | 4812200 | 6 | Flatwasher M14 | |
| 255 | 4845395 | 1 | Adapter, Air Intake | |
| 256 | 4846566 | 1 | Plate, Engine Mounting (Front Left Side) | |
| 257 | 4891600 | AR | Flatwasher 3/8in Regular | |
| 258 | 4923379 | 1 | Harness, Glow Plug (USA Built Machines) (SN 0300092726 through 0300171769) | |
| 258 | 4923379 | 1 | Harness, Glow Plug (China Built Machines) (SN B300000100 through B300000969) | |
| 259 | | Ref | Plate, Engine Mounting (Rear) Options: | |
| 259A | 3534978 | 1 | Tier II Engines (USA Built Machines) (SN 0300087000 through 0300126188) | |
| 259B | 1001093943 | 1 | Tier III Engines/Tier IVi-Flex Engines (USA Built Machines) (SN 0300126189 through 0300171769) | |
| 259B | 1001093943 | 1 | Tier III & IVi Engines (China Built Machines) (SN B300000100 through B300000969) | |
| 260 | | Ref | Tray, Engine Options: | |
| 260 | 4845404 | 1 | Tier II Engines (USA Built Machines) (SN 0300087000 through 0300126188) | |
| 260 | 1001094321 | 1 | Tier III Engines/Tier IVi-Flex Engines (USA Built Machines) (SN 0300126189 through 0300171769) | |
| 260 | 1001094321 | 1 | Tier III & IVi Engines (China Built Machines) (SN B300000100 through B300000969) | |
| 261 | | Ref | Tube, Tuning | |
| 261 | 4569171 | 1 | Tier II Engines (USA Built Machines) (SN 0300087000 through 0300126188) | |
| 261 | 1001094521 | 1 | Tier III Engines (USA Built Machines) (SN 0300126189 through 0300136526) | |
| 261 | Not Required | 0 | Tier III & IVi Engines/Tier IVi-Flex Engines (USA Built Machines) (SN 0300136527 through 0300171769) | |
| 261 | Not Required | 0 | Tier III & IVi Engines (China Built Machines) (SN B300000100 through B300000969) | |
| 262 | | Ref | Engine, Deutz - F4M2011 Options: | |
| 262 | 2000274 | 1 | USA Built Machines (Tier II) (SN 0300087000 through 0300092725) | |
| 262 | 2000339 | 1 | USA Built Machines (Tier II) (SN 0300092726 through | |

SECTION 2 - TURNTABLE

| ITEM | PART NUMBER | QTY | DESCRIPTION | REV |
|------|-------------|-----|--|-----|
| 262 | 1001098211 | 1 | 0300126188) USA Built Machines (Tier III & IVi) (SN 0300126189 through 0300169952) | |
| 262 | 1001098211 | 1 | USA Built Machines All Specs except ANSI, CSA and Japanese Specs (Tier III & IVi) (SN 0300169953 through 0300171769) | |
| 262 | 1001137748 | 1 | USA Built Machines ANSI, CSA and Japanese Specs (Tier IVi-Flex) (SN 0300169953 through 0300171769) | |
| 262 | 1001098211 | 1 | China Built Machines (Tier III & IVi) (SN B300000100 through B300000969) | |
| 263 | 1001098916 | 1 | Support, Resonator (USA Built Machines) (SN 0300126189 through 0300136527) | |
| 264 | 1320022 | 1 | Clamp | |
| 271 | 0100020 | AR | Sealant, Pipe | |
| 272 | 0701012 | 2 | Bolt 10mm x 25mm (USA Built Machines) (SN 0300087000 through 0300126189) | |
| 273 | 4711700 | AR | Flatwasher 7/16in Thin (USA Built Machines) (SN 0300087000 through 0300126189) | |
| 274 | 0701015 | 6 | Bolt 10mm x 35mm (USA Built Machine) (SN 0300087000 through 0300126189) | |
| 275 | 4751700 | 2 | Flatwasher 7/16in Regular (USA Built Machines) (SN 0300087000 through 0300126189) | |
| | | Ref | Note: Arctic Package Item 276 Not Shown - Used on Arctic Machines Only. | |
| 276 | 2580062 | 1 | Heater, Engine Block | |
| | 0256847 | Ref | PUMP COUPLING INSTALLATION - TIER II ENGINES (USA BUILT MACHINES) (SN 300087000 through 0300126188) | 2 |
| 301 | 1660234 | 1 | Coupling, Hayes | |
| 302 | 0080163 | 1 | Plate, Pump Adapter | |
| 303 | 0700810 | 6 | Bolt M8 x 20mm | |
| 304 | 4831900 | 6 | Lockwasher M8 | |
| 307 | 3020021 | AR | Grease, Coupling (Not Shown) | |
| | 2902065 | Ref | PUMP COUPLING INSTALLATION - TIER III ENGINES/TIER IVI-FLEX ENGINES (USA BUILT MACHINES) (SN 0300126189 through 0300171769) | I |
| | 2902065 | Ref | PUMP COUPLING INSTALLATION - TIER III ENGINES/TIER IVI-FLEX ENGINES (CHINA BUILT MACHINES) (SN B300000100 through B300000969) | I |
| 351 | 70000793 | 1 | Coupling | |
| 352 | See Note | NSS | Plate, Pump Adapter (Not Shown) (Note: Use p/n 2902065) | |
| 353 | See Note | NSS | Bolt M10 x 20mm Grade 10.9 (Note: Not Available - Purchase Locally) | |
| 354 | See Note | NSS | Bolt M10 x 30mm Grade 10.9 (Note: Not Available - Purchase Locally) | |
| 355 | See Note | NSS | Flatwasher M10 (Note: Not Available - Purchase Locally) | |
| | | Ref | ENGINE COMPONENTS | |
| | | Ref | USA Built Machines | |
| | 2000274 | Ref | Tier II Engines (SN 0300087000 through 0300092725) | B |
| | 2000339 | Ref | Tier II Engines (SN 0300092726 through 0300126188) | B |
| | 1001098211 | Ref | Tier III & IVi Engines (SN 0300126189 through 0300169952) | B |
| | 1001098211 | Ref | Tier III & IVi Engines (All Specs except ANSI, CSA and Japanese Specs) (SN 0300169953 through 0300171769) | B |
| | 1001137748 | Ref | Tier IVi-Flex Engines (ANSI, CSA and Japanese Specs) (SN 0300169953 through 0300171769) | B |
| | | Ref | China Built Machines | |
| | 1001098211 | Ref | Tier III & IVi Engines (SN B300000100 through B300000969) | C |

SECTION 2 - TURNTABLE

| ITEM | PART NUMBER | QTY | DESCRIPTION | REV |
|------|-------------|-----|--|-----|
| 401 | 7026631 | 1 | Dipstick | |
| 401 | 7020487 | 1 | Seal, Dipstick | |
| 402 | 7020465 | 1 | Cap, Filler | |
| 403 | | Ref | Pump, Oil Lube Options: | |
| 403 | 7020484 | 1 | Pump for 2000274 & 2000339 Tier II Engines | |
| 403 | 70001850 | 1 | Pump for 1001098211 Tier III & 1001137748 Tier IVi-Flex Engines | |
| 403 | 7020468 | 1 | Seal Between Oil Pump and Engine Block (Not Shown) | |
| 404 | 7016331 | 1 | Filter, Oil | |
| 404 | 70001423 | 1 | Bracket, Oil Filter | |
| 405 | 70003478 | 4 | Injector, Fuel | |
| 405 | | Ref | Pump, Injector Options: | |
| 405 | | Ref | Pump Options for 2000274 & 2000339 Tier II Engines | |
| 405 | 7027246 | 4 | Series A Injector | |
| 405 | 7027608 | 4 | Series B Injector | |
| 405 | 7027609 | 4 | Series C Injector | |
| 405 | 7027610 | 4 | Series D Injector | |
| 405 | 7000663 | 4 | Pump Options for 1001098211 Tier III & IVi & 1001137748 Tier IVi-Flex Engines | |
| 405 | 70000912 | 4 | Series A Injector | |
| 405 | 70000913 | 4 | Series B Injector | |
| 405 | 70000914 | 4 | Series C Injector | |
| 405 | 70000915 | 4 | Series D Injector | |
| 405 | | Ref | Gasket Options (1 Per Injector): | |
| 405 | 7020447 | 4 | Gasket for 2000274 & 2000339 Tier II Engines | |
| 405 | See Note | NSS | Gasket for 1001098211 Tier III & IVi & 1001137748 Tier IVi-Flex Engines (Note: Not Available for Purchase) | |
| 406 | 7016328 | 1 | Filter, Fuel | |
| 407 | | Ref | Pump Fuel Supply Options: | |
| 407 | 70000916 | 1 | Pump for 2000274 & 2000339 Tier II Engines (was p/n 7027238) | |
| 407 | 70000916 | 1 | Pump for 1001098211 Tier III & IVi & 1001137748 Tier IVi-Flex Engines | |
| 407 | 70001435 | 1 | Repair Kit for 70000916 Pump | |
| 407 | 70000919 | 1 | Hand Pump Used on 70000916 Pump | |
| 407 | 70000918 | 1 | Seal, Hand Pump Used on 70000916 Pump | |
| 407 | | Ref | O-Seal Options Between Fuel Pump and Engine Block (Not Shown): | |
| 407 | 7020411 | 1 | O-Seal for 2000274 & 2000339 Tier II Engines | |
| 407 | 70000917 | 1 | O-Seal for 1001098211 Tier III & IVi & 1001137748 Tier IVi-Flex Engines | |
| 408 | 7020449 | 4 | Gasket, Intake Manifold (Not Shown) | |
| 409 | 7020408 | 1 | V-Belt | |
| 410 | 7020471 | 4 | Gasket, Exhaust Manifold to Engine Block (Not Shown) | |
| 410 | 70002200 | 8 | Stud (Not Shown) | |
| 410 | 70003476 | 8 | Nut (Not Shown) | |
| 410 | 7020471 | 4 | Gasket, Exhaust Manifold to Exhaust Muffler (Not Shown) | |
| 411 | | Ref | Alternator Options: | |
| 411 | 7000663 | 1 | Alternator for 2000274 & 2000339 Tier II Engines (was p/n 7020410) | |
| 411 | 7000663 | 1 | Alternator for 1001098211 Tier III & IVi & 1001137748 Tier IVi-Flex Engines | |
| 411 | | Ref | Regulator, Voltage Options (Not Shown): | |

SECTION 2 - TURNTABLE

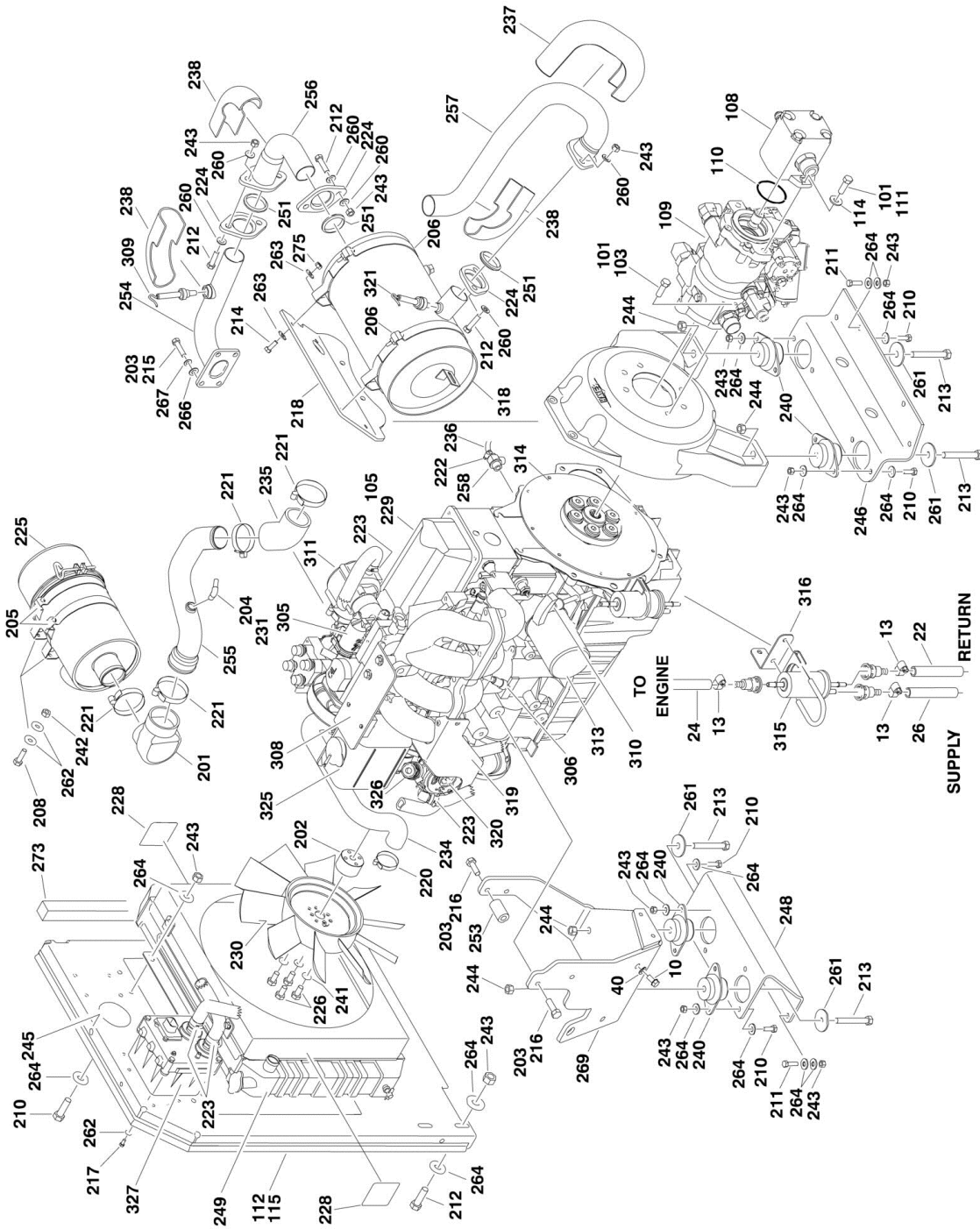
| ITEM | PART NUMBER | QTY | DESCRIPTION | REV |
|------|-------------|-----|--|-----|
| 411 | 7020464 | 1 | Regulator for 2000274 & 2000339 Tier II Engines | |
| 411 | 70001868 | 1 | Regulator for 1001098211 Tier III & IVi & 1001137748 Tier IVi-Flex Engines | |
| 411 | 70001866 | 1 | Seal, Gasket for 7000663 Voltage Regulator (Not Shown) | |
| 411 | 70002234 | 1 | Bracket, Adjusting (Not Shown): | |
| 412 | 7020479 | 1 | Starter | |
| 412 | 7026608 | 1 | Relay | |
| 412 | 70001498 | 1 | Shield, Starter Heat | |
| 413 | See Note | NSS | Plug- In Connector (Not Shown) (Note: Not Available for Purchase) | |
| 414 | 7027791 | 1 | Transmitter, Temperature | |
| 414 | See Note | NSS | Ring, Sealing (Note: Not Available for Purchase) | |
| 415 | 7027790 | 1 | Sensor, Oil Pressure | |
| 416 | 7024565 | 1 | Sensor, Speed | |
| 417 | 7027792 | 1 | Actuator, Throttle | |
| 417 | 7026607 | 2 | Spring, Actuator (was p/n 7027276) | |
| 418 | 7020459 | 1 | Thermostat (Located at rear of engine block - Not Shown) | |
| 418 | 7020460 | 1 | Spring, Compression | |
| 419 | | Ref | Flywheel Options (Not Shown): | |
| 419 | 70000264 | 1 | USA Built Machines (SN 0300087000 through 0300126188) | |
| 419 | 70001870 | 1 | USA Built Machines (SN 0300126189 through 0300171769) | |
| 419 | 70001870 | 1 | China Built Machines (SN B300000100 to Present) | |
| 419 | 7024579 | 1 | Ring Gear (Located on Flywheel - Not Shown) | |
| 420 | 7027236 | 1 | Sender, Temperature | |
| 421 | 7027795 | 1 | Module, Control (Note: Re-calibration Required when Replaced) | |
| 421 | 7027796 | 1 | Harness. EMR2 Module | |
| 422 | 70000345 | 4 | Plug, Glow (Not Shown - Use with p/n 2000339, 1001098211 & 1001137748 Engines Only) | |
| 423 | | Ref | Solenoid, Start Options: | |
| 423 | 7027239 | 1 | Solenoid for 2000274 & 2000339 Tier II Engines | |
| 423 | See Note | NSS | Solenoid for 1001098211 Tier III & IVi & 1001137748 Tier IVi-Flex Engines (Note: Not Available for Purchase) | |
| 424 | 70001847 | 1 | Breather Valve (Not Shown - Located On Front Cover) (USA Built Machines) (SN 0300126189 through 0300171769) | |
| 424 | 70001847 | 1 | Breather Valve (Not Shown - Located On Front Cover) (China Built Machines) (SN B300000100 to Present) | |
| 424 | 70001126 | 1 | Seal, Breather Valve (USA Built Machines) (SN 0300126189 through 0300171769) | |
| 424 | 70001126 | 1 | Seal, Breather Valve (China Built Machines) (SN B300000100 to Present) | |
| 425 | | Ref | Harness. Engine Options (Not Shown): | |
| 425 | 7027794 | 1 | USA Built Machines (SN 0300087000 through 0300126188) | |
| 425 | 70001872 | 1 | USA Built Machines (SN 0300126189 through 0300171769) | |
| 425 | 70001872 | 1 | China Built Machines (SN B300000100 to Present) | |
| 425 | 7027793 | 1 | Plug, Connector | |
| 426 | | Ref | Gasket, Head Options (Not Shown): | |
| 426 | | Ref | Gasket for 2000274 & 2000339 Tier II Engines | |
| 426 | 70003001 | 1 | Gasket - 1 Notch | |
| 426 | 70003002 | 1 | Gasket - 2 Notch | |
| 426 | 70003003 | 1 | Gasket - 3 Notch | |
| 426 | See Note | NSS | Gasket for 1001098211 Tier III & IVi & 1001137748 Tier IVi-Flex Engines (Note: Not Available for Purchase) | |
| 427 | 70003623 | 1 | Kit, Timing Belt/Idler (Not Shown) | |

SECTION 2 - TURNTABLE

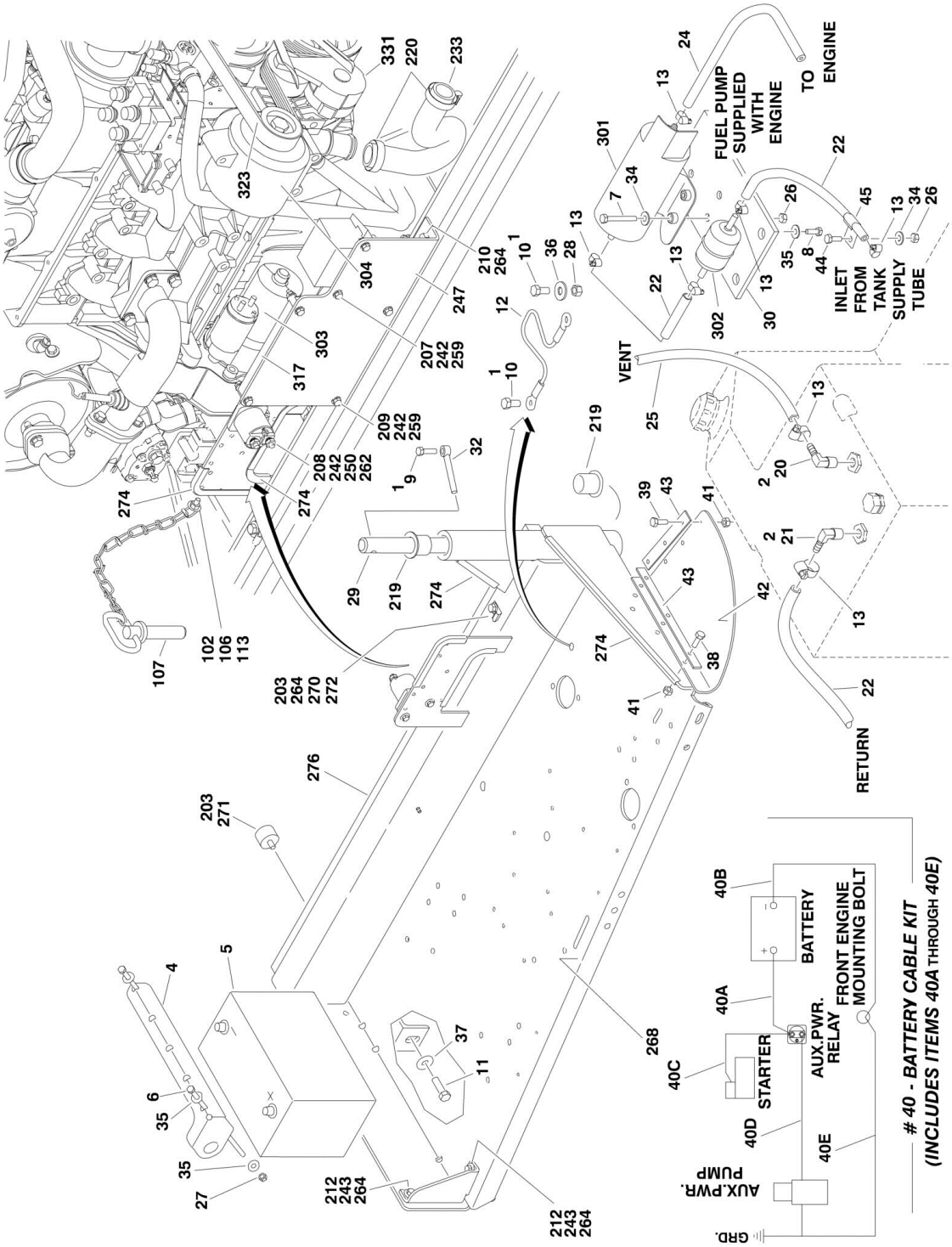
| ITEM | PART NUMBER | QTY | DESCRIPTION | REV |
|-------------|--------------------|------------|---------------------------------------|------------|
| | 1001148678 | Ref | EXHAUST EXTENSION INSTALLATION | B |
| 501 | 1001145996 | 1 | Pipe, Exhaust | |
| 502 | 1320176 | 1 | Clamp | |

SECTION 2 - TURNTABLE

FIGURE 2-12. FORD ENGINE INSTALLATION



SECTION 2 - TURNTABLE



40 - BATTERY CABLE KIT
(INCLUDES ITEMS 40A THROUGH 40E)

SECTION 2 - TURNTABLE

FIGURE 2-12. FORD ENGINE INSTALLATION

| ITEM | PART NUMBER | QTY | DESCRIPTION | REV |
|------|-------------|------------|---|-----|
| | | Ref | Note: Only Available on USA Built Machines. | |
| | | Ref | ENGINE INSTALLATIONS | |
| | 0274490 | Ref | Engine Installations 2WD | C |
| | 0274489 | Ref | Engine Installations 4WD | C |
| 1 | 0100011 | AR | Compound, Locking | |
| 2 | 0100020 | AR | Sealant | |
| 3 | 0100048 | AR | Grease, Dielectric | |
| 4 | 0181727 | 1 | Angle, Battery Hold-Down | |
| 5 | 0400075 | 1 | Battery | |
| 6 | 0630498 | 2 | Bolt, Battery Hold-Down | |
| 7 | 0641408 | 2 | Bolt 1/4in-20NC x 1in | |
| 8 | 0641606 | 1 | Bolt 3/8in-16NC x 3/4in | |
| 9 | 0641608 | 1 | Bolt 3/8in-16NC x 1in | |
| 10 | 0641808 | 2 | Bolt 1/2in-13NC x 1in | |
| 11 | 0642010 | 1 | Bolt 5/8in-11NC x 1-1/4in | |
| 12 | 1060637 | 1 | Cable, Lanyard | |
| 13 | 1320022 | 7 | Clamp (Not Shown - Located on Turntable to clamp fuel line) | |
| 14 | 1701542 | 1 | Decal - Gas (Not Shown - Located on Hood) | |
| 15 | 1701543 | 1 | Decal - LP (Not Shown - Located on Frame) | |
| 20 | 2220313 | 1 | Fitting, 90 | |
| 21 | 2221176 | 1 | Fitting, 90 | |
| 22 | 2720058 | 12 ft/3.7m | Hose, Fuel Line | |
| 24 | 2720472 | 1 | Hose, Fuel Line | |
| 25 | 2720532 | 5 ft/1.5m | Hose, Fuel Line | |
| 26 | 3311405 | 3 | Locknut 1/4in-20NC | |
| 27 | 3311605 | 2 | Locknut 3/8in-16NC | |
| 28 | 3311801 | 1 | Nut 1/2in-13NC | |
| 29 | 3422446 | 1 | Pin | |
| 30 | 3572414 | 1 | Plate, Fuel Pump Mount | |
| 32 | 3841143 | 1 | Pin, Keeper | |
| 34 | 4751400 | 3 | Flatwasher 1/4in Regular | |
| 35 | 4751600 | 5 | Flatwasher 3/8in Regular | |
| 36 | 4751800 | 1 | Flatwasher 1/2in Regular | |
| 37 | 4752000 | 1 | Flatwasher 5/8in Regular | |
| 38 | 0641508 | 3 | Bolt 5/16in-18NC x 1in | |
| 39 | 0641514 | 3 | Bolt 5/16in-18NC x 1-3/4in | |
| 40 | 2902297 | 1 | Battery Cable Kit | A |
| 40A | 7027006 | 1 | Cable, Battery (Red) | |
| 40B | 7027005 | 1 | Cable, Battery (Black) | |
| 40C | 7027007 | 1 | Cable (Red) | |
| 40D | 7027002 | 1 | Cable (Red) | |
| 40E | 7027003 | 1 | Cable (Black) | |
| 41 | 3311505 | 6 | Locknut 5/16in-18NC | |
| 42 | 3380429 | 1 | Panel, Rubber | |
| 43 | 3539957 | 2 | Plate | |
| 44 | 0641406 | 1 | Bolt 1/4in-20NC x 3/4in | |
| 45 | 1320222 | 1 | Clamp | |
| | | Ref | ENGINE AND PUMP ASSEMBLIES | |
| | 2000298 | Ref | Engine and Pump Assemblies 2WD | B |
| | 2000297 | Ref | Engine and Pump Assemblies 4WD | B |

SECTION 2 - TURNTABLE

| ITEM | PART NUMBER | QTY | DESCRIPTION | REV |
|------|-------------|--------------------|--|-----|
| 101 | 0100011 | AR | Compound, Locking | |
| 102 | 0641407 | 1 | Bolt 1/4in-20NC x 7/8in | |
| 103 | 0641812 | 2 | Bolt 1/2in-13NC x 1-1/2in | |
| 105 | 3020016 | AR | Oil, Motor 15W-40 | |
| 106 | 3311405 | 1 | Locknut 1/4in-20NC | |
| 107 | 3422532 | 1 | Pin, Hitch | |
| 108 | | Ref | Piston Pump Assembly with Fittings Options (See PISTON PUMP ASSEMBLY for Breakdown): | |
| 108 | 3600394 | 1 | 2WD | |
| 108 | 3600396 | 1 | 4WD | |
| 109 | 3600395 | 1 | Gear Pump Assembly with Fittings (See GEAR PUMP ASSEMBLY for Breakdown) | |
| 110 | 3790152 | 1 | O-Ring | |
| 111 | 3931620 | 2 | Bolt 3/8in-16NC x 1-1/4in | |
| 112 | 3960389 | 5 ft/1.5m | Seal | |
| 113 | 4751400 | 1 | Flatwasher 1/4in Regular | |
| 114 | 4891600 | 2 | Flatwasher 3/8in Hardened | |
| 115 | 2300004 | 2.63 gal /9.96L | Fluid, Anti Freeze | |
| | 2000296 | Ref | ENGINE ASSEMBLY | C |
| 201 | 0080201 | 1 | Adapter 90 Elbow | |
| 202 | 0080214 | 1 | Adapter, Fan Spacer | |
| 203 | 0100011 | AR | Compound, Locking | |
| 204 | 0100020 | AR | Sealant, Pipe | |
| 205 | 0340041 | 2 | Band, Air Cleaner | |
| 206 | 0340046 | 2 | Band, Muffler | |
| 207 | 0641406 | 2 | Bolt 1/4in-20NC x 3/4in | |
| 208 | 0641408 | 6 | Bolt 1/4in-20NC x 1in | |
| 209 | 0641414 | 4 | Bolt 1/4in-20NC x 1-3/4in | |
| 210 | 0641608 | 14 | Bolt 3/8in-16NC x 1in | |
| 211 | 0641610 | 10 | Bolt 3/8in-16NC x 1-1/4in | |
| 212 | 0641612 | 8 | Bolt 3/8in-16NC x 1-1/2in | |
| 213 | 0641828 | 4 | Bolt 1/2in-13NC x 3-1/2in | |
| 214 | 0641507 | 4 | Bolt 5/16in-18NC x 7/8in | |
| 215 | 0701012 | 4 | Bolt 10mm x 25mm | |
| 216 | 0701014 | 4 | Bolt 10mm x 30mm | |
| 217 | 0760606 | 4 | Bolt 6mm x 12mm | |
| 218 | 0903079 | 1 | Bracket, Muffler | |
| 219 | 0961986 | 2 | Bushing, Flanged | |
| 220 | 1320012 | 4 | Clamp | |
| 221 | 1320016 | 3 | Clamp | |
| 222 | 1320022 | 1 | Clamp, Hose | |
| 223 | 1320033 | 8 | Clamp, Hose | |
| 224 | 1321138 | 3 | Plate, Exhaust Flange | |
| 225 | 1340060 | 1 | Air Cleaner Assembly Filter Element | |
| 225 | 7012664 | 1 | Element, Filter (Not Shown) | |
| 226 | 0700819 | 4 | Bolt 8mm x 55mm | |
| 227 | 4920385 | 7 ft/2.1m | Wire, Safety (Not Shown) | |
| 228 | 1703162 | 2 | Decal - Caution Fan Blade | |
| 229 | 2000272 | 1 | Engine (See Items 301-327 for Engine Components) | |
| 230 | 2060025 | 1 | Fan | |
| 231 | 2180467 | 1 | Fitting | |

SECTION 2 - TURNTABLE

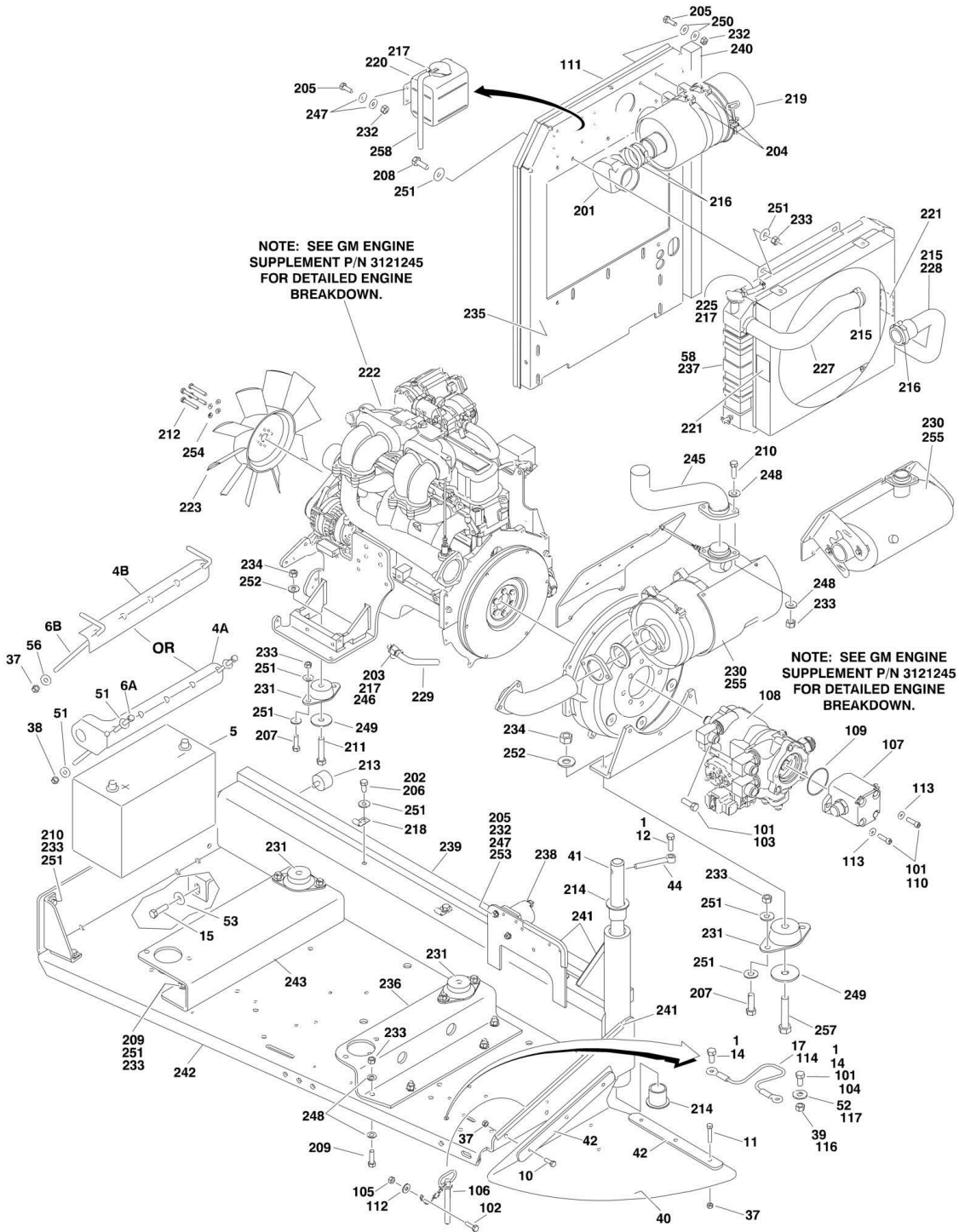
| ITEM | PART NUMBER | QTY | DESCRIPTION | REV |
|------|-------------|-----------|--|-----|
| 233 | 2720435 | 1 | Hose, Radiator (Bottom) | |
| 234 | 2720436 | 1 | Hose, Radiator (Upper) | |
| 235 | 2720514 | 1 | Hose, 45 Elbow | |
| 236 | 2750532 | 6 in/15cm | Hose, Oil Drain | |
| 237 | 2820172 | 1 | Insulation, Exhaust (Shield) | |
| 238 | 2820173 | 3 | Insulation, Exhaust (Elbow) | |
| 240 | 3200362 | 4 | Mount, Motor | |
| 241 | 4831900 | 4 | Lockwasher M8 | |
| 242 | 3311405 | 12 | Locknut 1/4in-20NC | |
| 243 | 3311605 | 30 | Locknut 3/8in-16NC | |
| 244 | 3311805 | 4 | Locknut 1/2in-13NC | |
| 245 | 3539872 | 1 | Plate, Radiator Mounting | |
| 246 | 3572280 | 1 | Plate, Engine Mount | |
| 247 | 3574162 | 1 | Plate, ECM/Relay Mount | |
| 248 | 3574504 | 1 | Plate, Engine Mount | |
| 249 | 3620040 | 1 | Radiator | |
| 250 | 3740067 | 1 | Relay | |
| 251 | 3960591 | 3 | Gasket, Exhaust | |
| 253 | 4566605 | 1 | Tube, Spacer | |
| 254 | 4567879 | 1 | Tube, Exhaust | |
| 255 | 4569173 | 1 | Tube, Intake | |
| 256 | 4569083 | 1 | Tube, Exhaust | |
| 257 | 3460398 | 1 | Pipe, Exhaust | |
| 258 | 4640989 | 1 | Valve, Oil Drain | |
| 259 | 4711400 | 12 | Flatwasher 1/4in Thin | |
| 260 | 4711600 | 12 | Flatwasher 3/8in Thin | |
| 261 | 4740274 | 4 | Washer, Snubbing | |
| 262 | 4751400 | 14 | Flatwasher 1/4in Regular | |
| 263 | 4751500 | 8 | Flatwasher 5/16in Regular | |
| 264 | 4751600 | 51 | Flatwasher 3/8in Regular | |
| 266 | 4812000 | 4 | Flatwasher M10 | |
| 267 | 4832000 | 4 | Lockwasher M10 | |
| 268 | 4845404 | 1 | Tray, Engine | |
| 269 | 4846806 | 1 | Plate, Engine Mounting | |
| 270 | 0641606 | 1 | Bolt 3/8in-16NC x 3/4in | |
| 271 | 0940070 | 1 | Bumper | |
| 272 | 1320223 | 3 | J-Clip | |
| 273 | 3960469 | 1 | Seal | |
| 274 | 4060805 | 37 in/1m | Flex-Trim | |
| 275 | 3311505 | 4 | Locknut 5/16in-18NC | |
| 276 | 3960468 | 1 | Seal | |
| | 2000272 | Ref | ENGINE COMPONENTS | B |
| 301 | 3600377 | 1 | Fuel Pump and Isolator Assembly (was p/ns 7022133 & 7027407) | |
| 301 | 7022134 | 1 | Harness, Fuel Pump (Not Shown) | |
| 302 | 91083218 | 1 | Filter, Fuel (was p/n 7022135) | |
| 303 | 7012679 | 1 | Starter (was p/n 7027408) | |
| 304 | 7019977 | 1 | Alternator with Regulator and Pulley | |
| 304 | 7000897 | 1 | Alternator without Regulator and Pulley | |
| 305 | 7023683 | 1 | Actuator, Throttle | |
| 305 | 7027404 | 1 | Gasket, Actuator (Not Shown) | |
| 306 | 7019996 | 1 | Sensor, Air Temperature (was p/n 7023661) | |

SECTION 2 - TURNTABLE

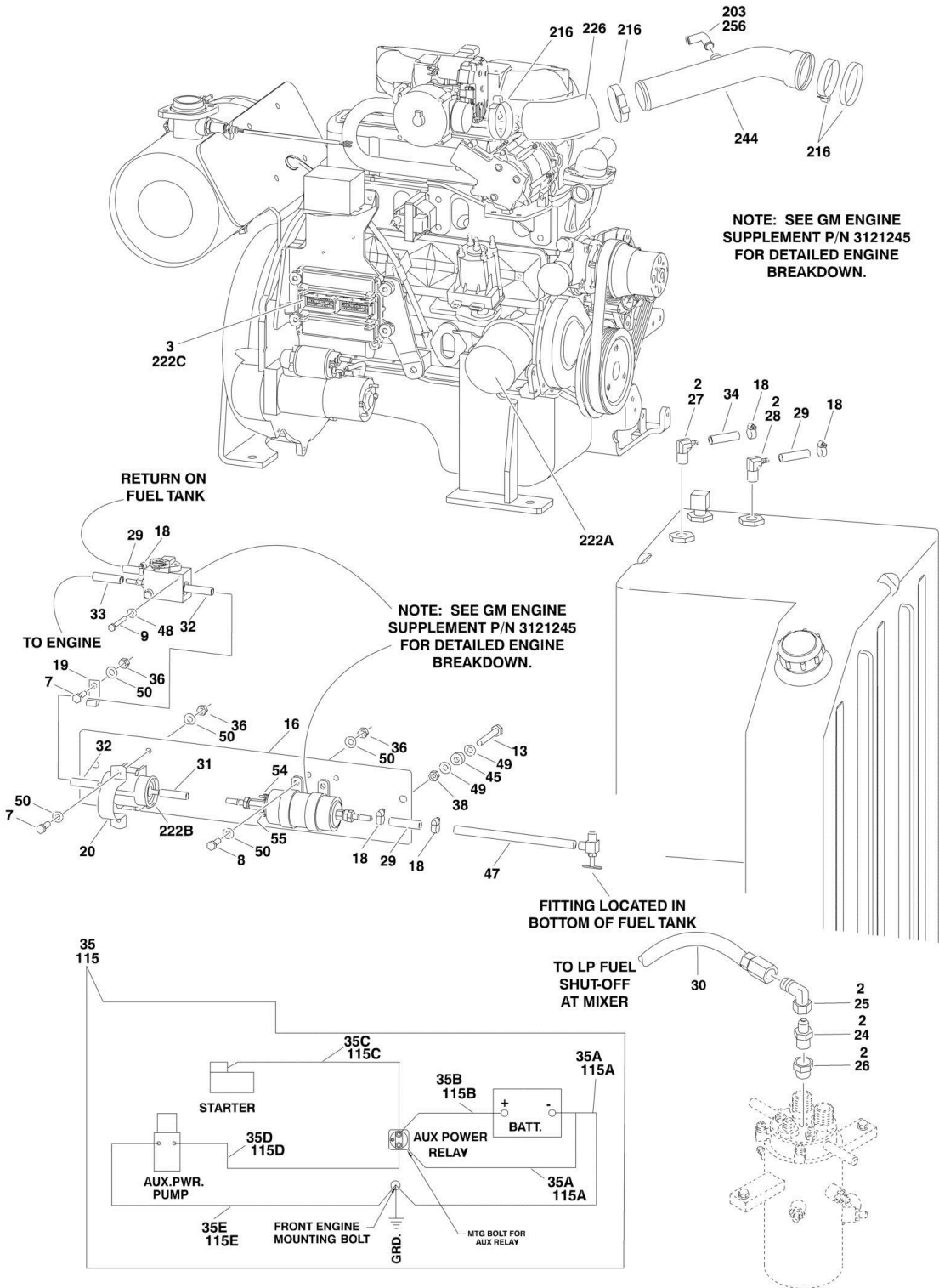
| ITEM | PART NUMBER | QTY | DESCRIPTION | REV |
|------|-------------|-----|---|-----|
| 307 | 7023681 | 1 | Harness, Engine Control (was p/n 7027403) (Not Shown) | |
| 308 | 7022139 | 1 | Sensor, MAP | |
| 309 | 7023682 | 1 | Sensor, EGR | |
| 310 | 2420187 | 1 | Dipstick (was p/n 7022140) | |
| 310 | 4564281 | 1 | Tube, Dipstick | |
| 311 | 7027400 | 1 | Mixer Assembly | |
| 313 | 7021868 | 1 | Filter, Oil (was p/n 7022147, 7022173 & 7014501) | |
| 314 | 1660250 | 1 | Coupling, Pump | |
| 314 | 7019976 | 1 | Flywheel (Not Shown) | |
| 314 | 7022180 | 1 | Ring Gear (Not Shown) | |
| 315 | 7019993 | 1 | Pressure Regulator and Filter Assembly | |
| 316 | 0902539 | 1 | Bracket | |
| 317 | 1600374 | 1 | Module, EPM | |
| 317 | 7027413 | 1 | Harness, EPM Jumper | |
| 318 | 3220134 | 1 | Muffler | |
| 319 | 0903010 | 1 | Bracket, LP Regulator | |
| 320 | 7023698 | 1 | Regulator, LP | |
| 321 | 7019994 | 1 | Sensor, EGR (was p/n 7027406) | |
| 322 | 70002307 | 1 | Gasket, Exhaust (Manifold to Pipe) | |
| 322 | 7022143 | 1 | Gasket, Exhaust (Manifold to Cylinder Head) (was p/n (7027401) Not Shown) | |
| 323 | 7027402 | 1 | Belt, Drive | |
| 324 | 7027405 | 4 | Spark Plug (Not Shown) | |
| 325 | 1580011 | 1 | Bottle, Overflow | |
| 326 | 7027409 | 1 | LP Filter Shutoff with Leads | |
| 327 | 7023699 | 1 | Megajector | |
| 327 | 7027410 | 1 | Harness, Megajector | |
| 327 | 70001690 | 1 | Hose Kit - Megajector | |
| 328 | 7019925 | 1 | PCV Valve (Not Shown) | |
| 329 | 7022155 | 1 | Sensor, Water Temperature (Not Shown) | |
| 330 | 7022150 | 1 | Belt, Timing (Not Shown - Located Inside Front Cover) | |
| 331 | 70002567 | | Tensioner, Belt | |

SECTION 2 - TURNTABLE

FIGURE 2-13. GM ENGINE INSTALLATION (WITHOUT UGM)



SECTION 2 - TURNTABLE



SECTION 2 - TURNTABLE

FIGURE 2-13. GM ENGINE INSTALLATION (WITHOUT UGM)

| ITEM | PART NUMBER | QTY | DESCRIPTION | REV |
|------|-------------|-----------|--|-----|
| | | Ref | Note: Only Available on USA Built Machines. | |
| | | Ref | Note: For Module (with/without UGM) Identification, refer to Revision Log page A. | |
| | | Ref | GM ENGINE INSTALLATIONS: | |
| | 0275282 | Ref | 2WD (SN 0300087000 through 0300109244) | C |
| | 1001091631 | Ref | 2WD (SN 0300109245 through 0300171769) | D |
| | 0275266 | Ref | 4WD (SN 0300087000 through 0300109244) | D |
| | 1001091630 | Ref | 4WD (SN 0300109245 through 0300171769) | D |
| 1 | 0100011 | AR | Compound, Locking | |
| 2 | 0100020 | AR | Sealant, Pipe | |
| 3 | 0100048 | AR | Grease, Dielectric | |
| 4 | | Ref | Hold-Down, Battery Options: | |
| 4A | 0181727 | 1 | Hold-down, Battery (SN 0300087000 through 0300110250) | |
| 4B | 91401281 | 1 | Hold-down, Battery (SN 0300110251 through 0300171769) | |
| 5 | 0400075 | 1 | Battery (Wet) | |
| 6 | | Ref | Bolt, Battery Hold-down Options: | |
| 6A | 0630498 | 2 | Bolt, Battery Hold-down (SN 0300087000 through 0300110250) | |
| 6B | 1001093382 | 2 | Bolt, Battery Hold-down (SN 0300110251 through 0300171769) | |
| 7 | 0641406 | 3 | Bolt 1/4in-20NC x 3/4in | |
| 8 | 0641408 | 2 | Bolt 1/4in-20NC x 1in | |
| 9 | 0641416 | 2 | Bolt 1/4in-20NC x 2in | |
| 10 | 0641508 | 3 | Bolt 5/16in-18NC x 1in | |
| 11 | 0641514 | 3 | Bolt 5/16in-18NC x 1-3/4in | |
| 12 | 0641608 | 1 | Bolt 3/8in-16NC x 1in | |
| 13 | 0641612 | 2 | Bolt 3/8in-16NC x 1-1/2in | |
| 14 | 0641808 | AR | Bolt 1/2in-13NC x 1in | |
| 15 | 0642010 | 1 | Bolt 5/8in-11NC x 1-1/4in | |
| 16 | 0903510 | 1 | Bracket, Fuel Pump Filter | |
| 17 | 1060637 | 1 | Cable, Lanyard (SN 0300087000 through 0300109245) | |
| 18 | 1320022 | AR | Clamp, Fuel Line | |
| 19 | 1320222 | 1 | Clamp | |
| 20 | 1320323 | 1 | Clamp | |
| 21 | 1701542 | 1 | Decal, Gas (Not Shown) | |
| 22 | 1701543 | 1 | Decal, LPG (Not Shown) | |
| 24 | 2180418 | 1 | Fitting, Straight | |
| 25 | 2220005 | 1 | Fitting, Straight | |
| 26 | 2220064 | 1 | Fitting, Adapter | |
| 27 | 2220313 | 1 | Fitting, 90 Barbed (SN 0300087000 through 0300109245) | |
| 28 | 2221176 | 1 | Fitting, 90 | |
| 29 | | Ref | Hose, Fuel Line Options: | |
| 29 | 2720058 | 7 ft/2.1m | Hose, Fuel Line (SN 0300087000 through 0300109244) | |
| 29 | 1001091587 | 7 ft/2.1m | Hose, Fuel Line (Use p/n 1001156819) (SN 0300109245 through 0300171769) | |
| 30 | 2720392 | 1 | Hose, LP | |
| 31 | 2720566 | NLA | Hose, High Pressure Fuel Line (6in/15cm Length) (Use p/n 1001156823) | |
| 32 | 2720567 | NLA | Hose, High Pressure Fuel Line (4ft/1.2m Length) (Use p/n 1001156824) | |
| 33 | 2720580 | NLA | Hose (Use p/n 1001156825) | |

SECTION 2 - TURNTABLE

| ITEM | PART NUMBER | QTY | DESCRIPTION | REV |
|------|-------------|--------------------|--|-----|
| 34 | 2750532 | 5 ft/1.5m | Hose (SN 0300087000 through 0300109245) | |
| 35 | 2902531 | 1 | Battery Cable Kit (SN 0300087000 through 0300109245) | B |
| 35A | 7016822 | 1 | Cable (Battery - to Ground) | |
| 35B | 7027015 | 1 | Cable (Battery + to Auxiliary Relay) | |
| 35C | 7027016 | 1 | Cable (Auxiliary Relay to Starter) | |
| 35D | 7027017 | 1 | Cable (Auxiliary Relay to Auxiliary Pump) | |
| 35E | 7027003 | 1 | Cable (Auxiliary Pump to Ground) | |
| 36 | 3311405 | 5 | Locknut 1/4in-20NC | |
| 37 | | Ref | Locknut Options: | |
| 37 | 3311505 | AR | Locknut 5/16in-18NC | |
| 37 | 88521205 | AR | Locknut with Nylon Lock 5/16in-18NC | |
| 38 | 3311605 | AR | Locknut 3/8in-16NC | |
| 39 | 3311805 | 1 | Locknut 1/2in-13NC (SN 0300087000 through 0300109245) | |
| 40 | 3380429 | 1 | Panel, Rubber | |
| 41 | 3422446 | 1 | Pin | |
| 42 | 3539957 | 2 | Plate, Hold Down | |
| 43 | 3790012 | 1 | O-Ring (Not Shown - Located in Console Box) | |
| 44 | 3841143 | 1 | Keeper | |
| 45 | 4071122 | 2 | Shim | |
| 46 | 4360336 | 1 | Switch, Toggle (Not Shown - Located in Console Box) | |
| 47 | 4569385 | 1 | Tube, Fuel Line | |
| 48 | 4711400 | 2 | Flatwasher 1/4in Thin | |
| 49 | 4711600 | 4 | Flatwasher 3/8in Thin | |
| 50 | 4751400 | 9 | Flatwasher 1/4in Regular | |
| 51 | 4751600 | 4 | Flatwasher 3/8in Regular (SN 0300087000 through 0300110250) | |
| 52 | 4751800 | 1 | Flatwasher 1/2in Regular (SN 0300087000 through 0300109245) | |
| 53 | 4752000 | 1 | Flatwasher 5/8in Regular | |
| 54 | 3290405 | 1 | Locknut M4 x 0.7 | |
| 55 | 3290505 | 1 | Locknut M5 x 0.8 | |
| 56 | 4751500 | 2 | Flatwasher 5/16in Regular (SN 0300110251 through 0300171769) | |
| 58 | 2300004 | 2.63 gal /9.96L | Coolant | |
| | | Ref | GM ENGINE AND PUMP SUB-ASSEMBLY | |
| | 2000374 | Ref | 2WD (SN 0300087000 through 0300109244) | C |
| | 1001091635 | Ref | 2WD (SN 0300109245 through 0300171769) | E |
| | 2000373 | Ref | 4WD (SN 0300087000 through 0300109244) | C |
| | 1001091634 | Ref | 4WD (SN 0300109245 through 0300171769) | D |
| 101 | 0100011 | AR | Compound, Locking | |
| 102 | 0641407 | 1 | Bolt 1/4in-20NC x 7/8in | |
| 103 | 0641812 | 2 | Bolt 1/2in-13NC x 1-1/2in | |
| 104 | 0641808 | 1 | Bolt 1/2in-13NC x 1in (SN 0300109245 through 0300171769) | |
| 105 | 3311405 | 1 | Locknut 1/4in-20NC | |
| 106 | 3422532 | 1 | Pin, Hitch | |
| 107 | 3600395 | 1 | Gear Pump Assembly with Fittings (See GEAR PUMP ASSEMBLY for Breakdown) | |
| 108 | | Ref | Piston Pump Assembly with Fittings Options (See PISTON PUMP ASSEMBLY for Breakdown): | |
| 108 | 3600394 | 1 | 2WD | |
| 108 | 3600396 | 1 | 4WD | |
| 109 | 3790152 | 1 | O-Ring | |

SECTION 2 - TURNTABLE

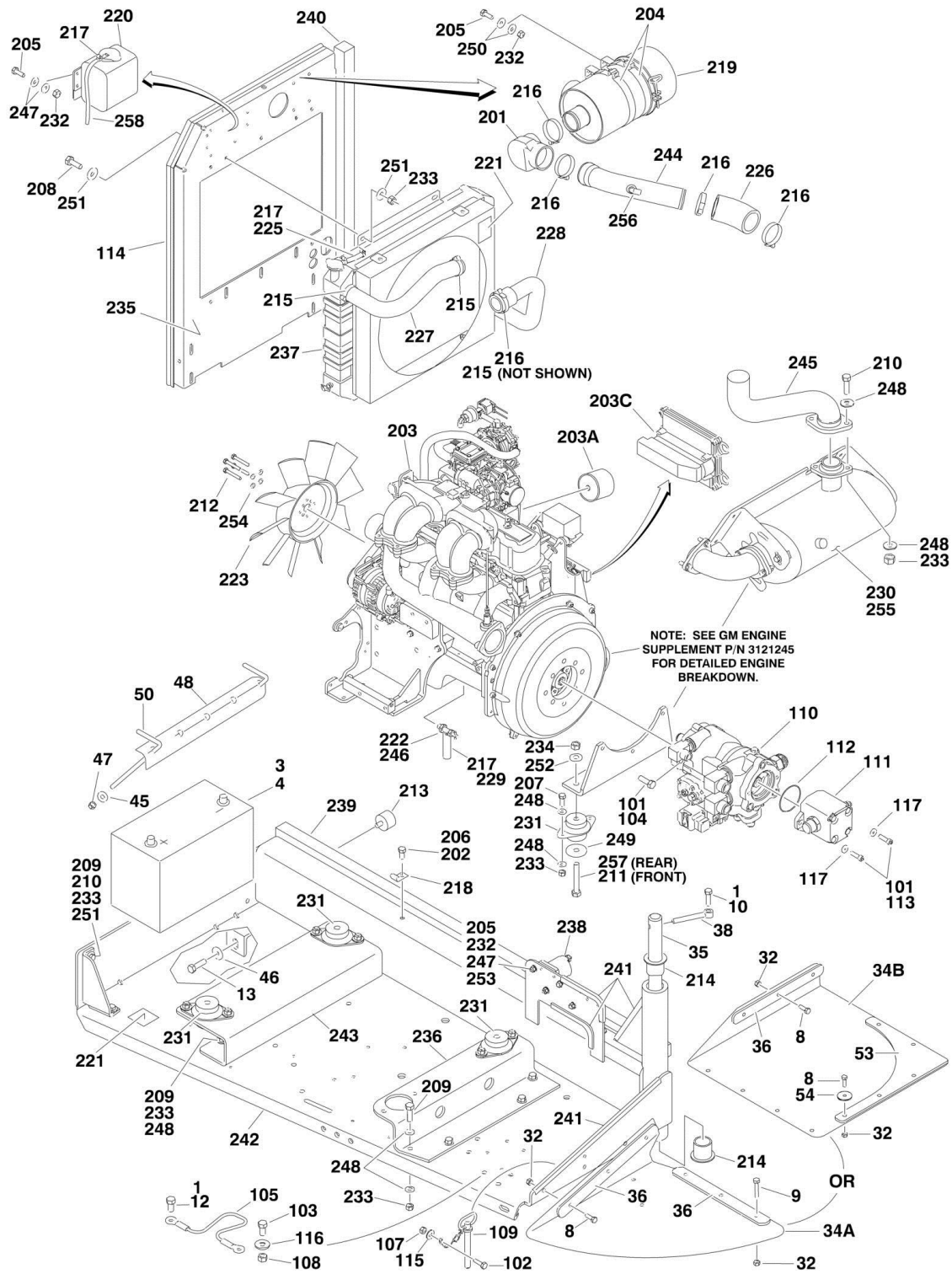
| ITEM | PART NUMBER | QTY | DESCRIPTION | REV |
|------|-------------|-----------|--|-----|
| 110 | 3931620 | 2 | Bolt 3/8in-16NC x 1-1/4in | |
| 111 | 3960389 | 1 | Seal | |
| 112 | 4751400 | 1 | Flatwasher 1/4in Regular | |
| 113 | 4891600 | 2 | Flatwasher 3/8in Hardened | |
| 114 | 1060637 | 1 | Cable, Lanyard (SN 0300109245 through 0300171769) | |
| 115 | 2902531 | 1 | Battery Cable Kit (SN 0300087000 through 0300109245) | B |
| 115A | 7016822 | 1 | Cable (Battery - to Ground) | |
| 115B | 7027015 | 1 | Cable (Battery + to Auxiliary Relay) | |
| 115C | 7027016 | 1 | Cable (Auxiliary Relay to Starter) | |
| 115D | 7027017 | 1 | Cable (Auxiliary Relay to Auxiliary Pump) | |
| 115E | 7027003 | 1 | Cable (Auxiliary Pump to Ground) | |
| 116 | 3311805 | 1 | Locknut 1/2in-13NC (SN 0300109245 through 0300171769) | |
| 117 | 4751800 | 1 | Flatwasher 1/2in Regular (SN 0300109245 through 0300171769) | |
| | | Ref | GM ENGINE ASSEMBLY | |
| | 2000375 | Ref | GM Engine Assembly (SN 0300087000 through 0300109244) | E |
| | 1001091632 | Ref | GM Engine Assembly (SN 0300109245 through 0300171769) | E |
| 201 | 0080201 | 1 | Fitting, 90 | |
| 202 | 0100011 | AR | Compound, Locking | |
| 203 | 0100020 | AR | Sealant | |
| 204 | 0340041 | 2 | Band, Mounting | |
| 205 | 0641406 | 10 | Bolt 1/4in-20NC x 3/4in | |
| 206 | 0641606 | 3 | Bolt 3/8in-16NC x 3/4in | |
| 207 | 0641608 | 8 | Bolt 3/8in-16NC x 1in | |
| 208 | 0641609 | 4 | Bolt 3/8in-16NC x 1-1/8in | |
| 209 | 0641610 | 10 | Bolt 3/8in-16NC x 1-1/4in | |
| 210 | 0641612 | 4 | Bolt 3/8in-16NC x 1-1/2in | |
| 211 | 0641828 | 2 | Bolt 1/2in-13NC x 3-1/2in | |
| 212 | 0700810 | 4 | Bolt M8 x 20mm | |
| 213 | 0940070 | 1 | Bumper | |
| 214 | 0961986 | 2 | Bearing, Flanged | |
| 215 | 1320012 | 3 | Clamp | |
| 216 | 1320016 | 5 | Clamp | |
| 217 | 1320022 | AR | Clamp | |
| 218 | 1320223 | 3 | Clamp | |
| 219 | 1340060 | 1 | Air Cleaner Assembly | |
| 219 | 7012664 | 1 | Element, Air Cleaner | |
| 220 | 1580011 | 1 | Container, Coolant Overflow | |
| 221 | 1703162 | 2 | Decal - Caution Fan | |
| 222 | | Ref | Engine, GM 3.0L Options: | |
| 222 | 2000354 | 1 | Engine, GM 3.0L (SN 0300087000 through 0300109244) | |
| 222 | 1001091583 | 1 | Engine, GM 3.0L (SN 0300109245 through 0300171769) | |
| 222A | 7027965 | 1 | Filter, Oil | |
| 222B | 7027972 | 1 | Filter, Fuel | |
| 222C | 7027994 | 1 | Module, Control (ECU) | |
| 222D | 7027996 | 4 | Plug, Spark (Not Shown) | |
| 223 | 2060025 | 1 | Fan | |
| 225 | 2720058 | 4 in/10cm | Hose | |
| 226 | 2720514 | 1 | Hose | |
| 227 | 2720563 | 1 | Hose, Radiator (Top) | |
| 228 | 2720564 | 1 | Hose, Radiator (Bottom) | |
| 229 | | Ref | Hose Options: | |

SECTION 2 - TURNTABLE

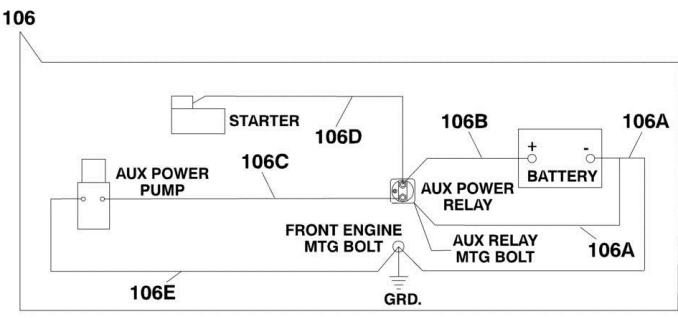
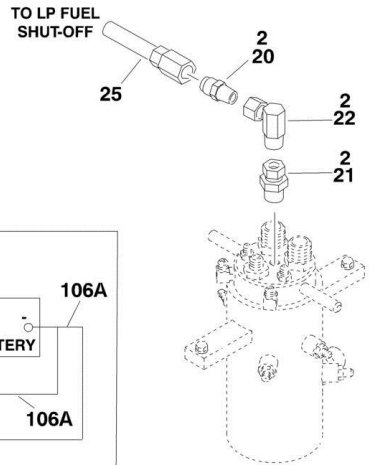
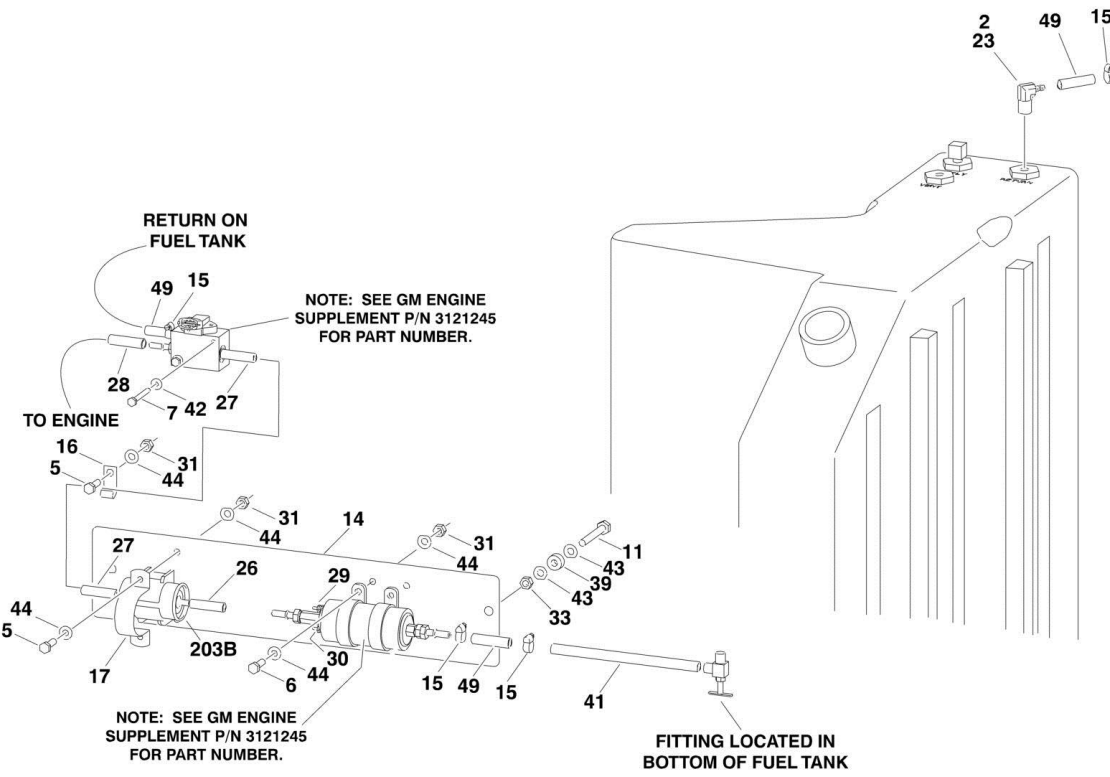
| ITEM | PART NUMBER | QTY | DESCRIPTION | REV |
|------|-------------|----------------|--|-----|
| 229 | 2750532 | 1 ft/30cm | Hose - 3/8in | |
| 229 | 1001091892 | 6 in/15cm | Hose - 5/8in | |
| 230 | | Ref | Muffler, Insulation Options: | |
| 230 | 2820180 | 1 | Muffler, Insulation (SN 0300087000 through 0300109244) | |
| 230 | 1001091794 | 1 | Muffler, Insulation (SN 0300109245 through 0300171769) | |
| 231 | 3200362 | 4 | Mount, Engine | |
| 232 | 3311405 | 10 | Locknut 1/4in-20NC | |
| 233 | 3311605 | 26 | Locknut 3/8in-16NC | |
| 234 | 3311805 | 4 | Locknut 1/2in-13NC | |
| 235 | 3539872 | 1 | Plate, Radiator Mounting | |
| 236 | 3572280 | 1 | Plate, Engine Mount | |
| 237 | 3620040 | 1 | Radiator | |
| 237 | 7019656 | 1 | Cap, Radiator | |
| 238 | 3740067 | 1 | Relay | |
| 239 | 3960468 | 1 | Seal | |
| 240 | 3960469 | 1 | Seal | |
| 241 | 4060805 | 3 ft/0.9m | Seal | |
| 242 | 4341239 | 1 | Tray, Engine | |
| 243 | 4341241 | 1 | Mount, Engine (Front) | |
| 244 | 4569342 | 1 | Tube, Intake | |
| 245 | 4569394 | 1 | Pipe, Exhaust | |
| 246 | | Ref | Valve, Oil Drain Options: | |
| 246 | 4640952 | 1 | Valve, Oil Drain (SN 0300087000 through 0300136526) | |
| 246 | 1001105872 | NLA | Valve, Oil Drain (Use p/n 4640952) (SN 0300136527 through 0300171769) | |
| 247 | 4711400 | 12 | Flatwasher 1/4in Thin | |
| 248 | 4711600 | 12 | Flatwasher 3/8in Thin | |
| 249 | 4740274 | 4 | Flatwasher, Snubbing | |
| 250 | 4751400 | 8 | Flatwasher 1/4in Regular | |
| 251 | 4751600 | 43 | Flatwasher 3/8in Regular | |
| 252 | 4751800 | 2 | Flatwasher 1/2in Regular | |
| 253 | 4791400 | 2 | Starwasher 1/4in | |
| 254 | 4831900 | 4 | Lockwasher M8 | |
| 255 | 4920385 | 10 ft/3m | Wire, Safety | |
| 256 | 2180877 | 1 | Fitting, 90 (SN 0300095114 through 0300171769) | |
| 257 | 0641826 | 2 | Bolt 1/2in-13NC x 3-1/4in | |
| 258 | 2720271 | 18 in /36cm | Hose | |

SECTION 2 - TURNTABLE

FIGURE 2-14. GM ENGINE INSTALLATION (WITH UGM)



SECTION 2 - TURNTABLE



SECTION 2 - TURNTABLE

FIGURE 2-14. GM ENGINE INSTALLATION (WITH UGM)

| ITEM | PART NUMBER | QTY | DESCRIPTION | REV |
|------|-------------|-------------------|--|-----|
| | | Ref | Note: Only Available on USA Built Machines. | |
| | | Ref | Note: For Module (with/without UGM) Identification, refer to Revision Log page A. | |
| | | Ref | GM ENGINE INSTALLATIONS: | |
| | 1001114644 | Ref | GM Engine Installations 2WD | D |
| | 1001114646 | Ref | GM Engine Installations 4WD | D |
| 1 | 0100011 | AR | Compound, Locking | |
| 2 | 0100020 | AR | Sealant, Pipe | |
| 3 | 0100048 | AR | Grease, Dielectric | |
| 4 | 0400075 | 1 | Battery (Wet) | |
| 5 | 0641406 | 3 | Bolt 1/4in-20NC x 3/4in | |
| 6 | 0641408 | 2 | Bolt 1/4in-20NC x 1in | |
| 7 | 0641416 | 2 | Bolt 1/4in-20NC x 2in | |
| 8 | 0641508 | 6 | Bolt 5/16in-18NC x 1in | |
| 9 | 0641514 | NLA | Capscrew 5/16in-18NC x 1-3/4in | |
| 10 | 0641608 | 1 | Bolt 3/8in-16NC x 1in | |
| 11 | 0641612 | 2 | Bolt 3/8in-16NC x 1-1/2in | |
| 12 | 0641808 | 1 | Bolt 1/2in-13NC x 1in | |
| 13 | 0642010 | 1 | Bolt 5/8in-11NC x 1-1/4in | |
| 14 | 0903510 | 1 | Bracket, Fuel Pump Filter | |
| 15 | 1320022 | 4 | Clamp, Fuel Line | |
| 16 | 1320222 | 1 | Clamp | |
| 17 | 1320323 | 1 | Clamp | |
| 18 | 1701542 | 1 | Decal, Gas (Not Shown) | |
| 19 | 1701543 | 1 | Decal, LPG (Not Shown) | |
| 20 | 2180418 | 1 | Fitting, Straight | |
| 21 | 2220005 | 1 | Fitting, Straight | |
| 22 | 2220064 | 1 | Fitting, Adapter | |
| 23 | 2221176 | 1 | Fitting, 90 | |
| 24 | 2300004 | 2.7 gal /10.2L | Coolant (Not Shown) | |
| 25 | 2720392 | 1 | Hose, LP | |
| 26 | 2720566 | NLA | Hose, High Pressure Fuel Line (6in/15cm Length) (Use p/n 1001156823) | |
| 27 | 2720567 | NLA | Hose, High Pressure Fuel Line (4ft/1.2m Length) (Use p/n 1001156824) | |
| 28 | 2720580 | NLA | Hose (Use p/n 100156825) | |
| 29 | 3290405 | 1 | Locknut M4 x 0.7 | |
| 30 | 3290505 | 1 | Locknut M5 x 0.8 | |
| 31 | 3311405 | 5 | Locknut 1/4in-20NC | |
| 32 | 3311505 | 8 | Locknut 5/16in-18NC | |
| 33 | 3311605 | 2 | Locknut 3/8in-16NC | |
| 34 | | Ref | Panel, Rubber Options: | |
| 34A | 3380429 | 1 | Panel (SN 0300087000 through 0300143245) | |
| 34B | 1001121891 | 1 | Panel (SN 0300143246 through 0300171769) | |
| 35 | 3422446 | 1 | Pin | |
| 36 | 3539957 | AR | Plate, Hold Down | |
| 37 | 3790012 | 1 | O-Ring (Not Shown - Located in Console Box) | |
| 38 | 3841143 | 1 | Keeper | |
| 39 | 4071122 | 2 | Shim | |

SECTION 2 - TURNTABLE

| ITEM | PART NUMBER | QTY | DESCRIPTION | REV |
|------|-------------|--------------|---|-----|
| 40 | 4360336 | 1 | Switch, Toggle (Not Shown - Located in Console Box) | |
| 41 | 4569385 | 1 | Tube, Fuel Line | |
| 42 | 4711400 | 2 | Flatwasher 1/4in Thin | |
| 43 | 4711600 | 4 | Flatwasher 3/8in Thin | |
| 44 | 4751400 | 9 | Flatwasher 1/4in Regular | |
| 45 | 4751500 | 2 | Flatwasher 5/16in Regular | |
| 46 | 4752000 | 1 | Flatwasher 5/8in Regular | |
| 47 | 88521205 | 2 | Locknut with Nylon Lock 5/16in-18NC | |
| 48 | 91401281 | 1 | Hold-down, Battery | |
| 49 | 1001091587 | 7 ft/2.1m | Hose, Fuel Line (Use p/n 1001156819) | |
| 50 | 1001093382 | 2 | Bolt, Battery Hold-down | |
| 53 | 1001123000 | 1 | Bracket, Baffle Support (SN 0300143246 through 0300171769) | |
| 54 | 4740508 | 3 | Flatwasher, Special (SN 0300143246 through 0300171769) | |
| | | Ref | GM ENGINE AND PUMP SUB-ASSEMBLY | |
| | 1001114643 | Ref | GM Engine and Pump Sub-Assembly 2WD | D |
| | 1001114645 | Ref | GM Engine and Pump Sub-Assembly 4WD | D |
| 101 | 0100011 | AR | Compound, Locking | |
| 102 | 0641407 | 1 | Bolt 1/4in-20NC x 7/8in | |
| 103 | 0641808 | 1 | Bolt 1/2in-13NC x 1in | |
| 104 | 0641812 | 2 | Bolt 1/2in-13NC x 1-1/2in | |
| 105 | 1060637 | 1 | Cable, Lanyard | |
| 106 | 2902531 | 1 | Battery Cable Kit | B |
| 106A | 7016822 | 1 | Cable (Battery - to Ground) | |
| 106B | 7027015 | 1 | Cable (Battery + to Auxiliary Relay) | |
| 106C | 7027016 | 1 | Cable (Relay to Auxiliary Pump) | |
| 106D | 7027017 | 1 | Cable (Relay to Starter) | |
| 106E | 7027003 | 1 | Cable (Relay to Auxiliary Pump) | |
| 107 | 3311405 | 1 | Locknut 1/4in-20NC | |
| 108 | 3311805 | 1 | Locknut 1/2in-13NC | |
| 109 | 3422532 | 1 | Pin, Hitch | |
| 110 | | Ref | Piston Pump Assembly with Fittings Options (See PISTON PUMP ASSEMBLY for Breakdown): | |
| 110 | 3600394 | 1 | 2WD | |
| 110 | 1001117799 | 1 | 4WD | |
| 111 | 3600395 | 1 | Gear Pump Assembly with Fittings (See GEAR PUMP ASSEMBLY for Breakdown) | |
| 112 | 3790012 | 1 | O-Ring | |
| 113 | 3931620 | 2 | Bolt 3/8in-16NC x 1-1/4in | |
| 114 | 3960389 | 5 ft/1.5m | Seal | |
| 115 | 4751400 | 1 | Flatwasher 1/4in Regular | |
| 116 | 4751800 | 1 | Flatwasher 1/2in Regular | |
| 117 | 4891600 | 2 | Flatwasher 3/8in Hardened | |
| 119 | 1001115930 | 4.5 qt /4.3L | Oil, Engine (Not Shown) | |
| | 1001114632 | Ref | GM ENGINE ASSEMBLY | D |
| 201 | 0080201 | 2 | Fitting, 90 | |
| 202 | 0100011 | AR | Compound, Locking | |
| 203 | 1001114595 | 1 | Engine, GM 3.0L (See GM Engine Supplement p/n 3121245 for Breakdown of Additional Components) | |
| 203 | 70000164 | 4 | Plug, Spark (Not Shown) | |
| 203A | 7027965 | 1 | Filter, Oil | |
| 203B | 7027972 | 1 | Filter, Fuel | |

SECTION 2 - TURNTABLE

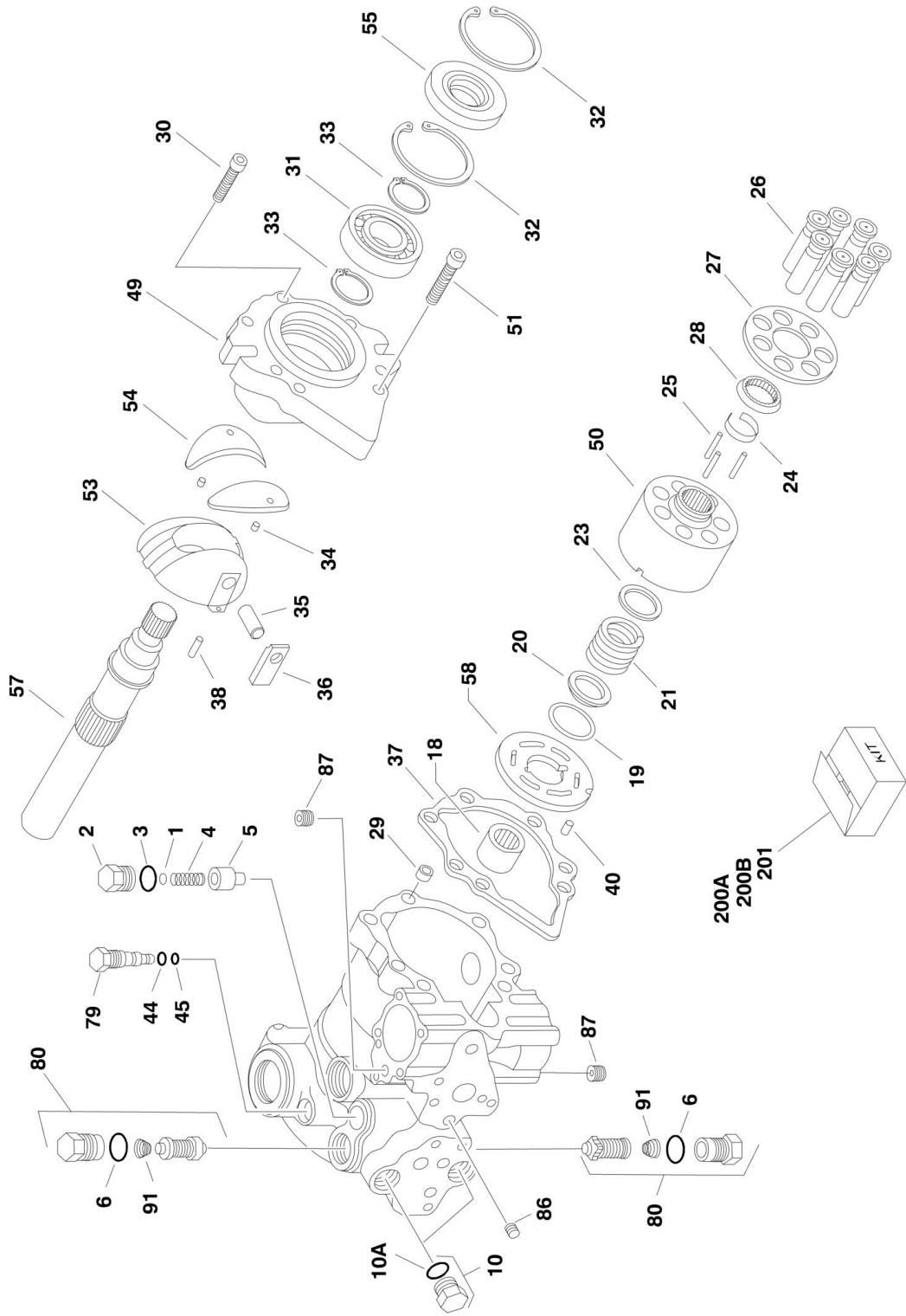
| ITEM | PART NUMBER | QTY | DESCRIPTION | REV |
|------|-------------|-----------|-----------------------------|-----|
| 203C | 70002895 | 1 | Module, Control (ECU) | |
| 204 | 0340041 | 2 | Band, Mounting | |
| 205 | 0641406 | 10 | Bolt 1/4in-20NC x 3/4in | |
| 206 | 0641606 | 4 | Bolt 3/8in-16NC x 3/4in | |
| 207 | 0641608 | 9 | Bolt 3/8in-16NC x 1in | |
| 208 | 0641609 | 4 | Bolt 3/8in-16NC x 1-1/8in | |
| 209 | 0641610 | 10 | Bolt 3/8in-16NC x 1-1/4in | |
| 210 | 0641612 | 4 | Bolt 3/8in-16NC x 1-1/2in | |
| 211 | 0641828 | 2 | Bolt 1/2in-13NC x 3-1/2in | |
| 212 | 0700810 | 4 | Bolt M8 x 20mm | |
| 213 | 0940070 | 1 | Bumper | |
| 214 | 0961986 | 2 | Bearing, Flanged | |
| 215 | 1320012 | 3 | Clamp | |
| 216 | 1320016 | 5 | Clamp | |
| 217 | 1320022 | 4 | Clamp | |
| 218 | 1320223 | 3 | Clamp | |
| 219 | 1340060 | 1 | Air Cleaner Assembly | |
| 219 | 7012664 | 1 | Element, Air Cleaner | |
| 220 | 1580011 | 1 | Container, Coolant Overflow | |
| 221 | 1703162 | 2 | Decal - Caution Fan | |
| 222 | 0100020 | AR | Sealant | |
| 223 | 2060025 | 1 | Fan | |
| 225 | 2720058 | 1 ft/0.3m | Hose | |
| 226 | 1001116544 | 1 | Duct, Elbow | |
| 227 | 2720563 | 1 | Hose, Radiator (Top) | |
| 228 | 2720564 | 1 | Hose, Radiator (Bottom) | |
| 229 | 2750532 | 1 ft/0.3m | Hose | |
| 230 | 1001091794 | 1 | Insulation, Muffler | |
| 231 | 3200362 | 4 | Mount, Engine | |
| 232 | 3311405 | 10 | Locknut 1/4in-20NC | |
| 233 | 3311605 | 26 | Locknut 3/8in-16NC | |
| 234 | 3311805 | 4 | Locknut 1/2in-13NC | |
| 235 | 3539872 | 1 | Plate, Radiator Mount | |
| 236 | 3572280 | 1 | Plate, Engine Mount | |
| 237 | 3620040 | 1 | Radiator | |
| 237 | 7019656 | 1 | Cap, Radiator | |
| 238 | 3740067 | 1 | Relay | |
| 239 | 3960468 | 1 | Seal | |
| 240 | 3960469 | 1 | Seal | |
| 241 | 4060805 | 3 ft/0.9m | Seal | |
| 242 | 4341239 | 1 | Tray, Engine | |
| 243 | 4341241 | 1 | Mount, Engine (Front) | |
| 244 | 1001116545 | 1 | Tube, Intake | |
| 245 | 4569394 | 1 | Tube, Exhaust | |
| 246 | 4640952 | 1 | Valve, Oil Drain | |
| 247 | 4711400 | 12 | Flatwasher 1/4in Thin | |
| 248 | 4711600 | 36 | Flatwasher 3/8in Thin | |
| 249 | 4740274 | 4 | Flatwasher, Snubbing | |
| 250 | 4751400 | 8 | Flatwasher 1/4in Regular | |
| 251 | 4751600 | 16 | Flatwasher 3/8in Regular | |
| 252 | 4751800 | 4 | Flatwasher 1/2in Regular | |

SECTION 2 - TURNTABLE

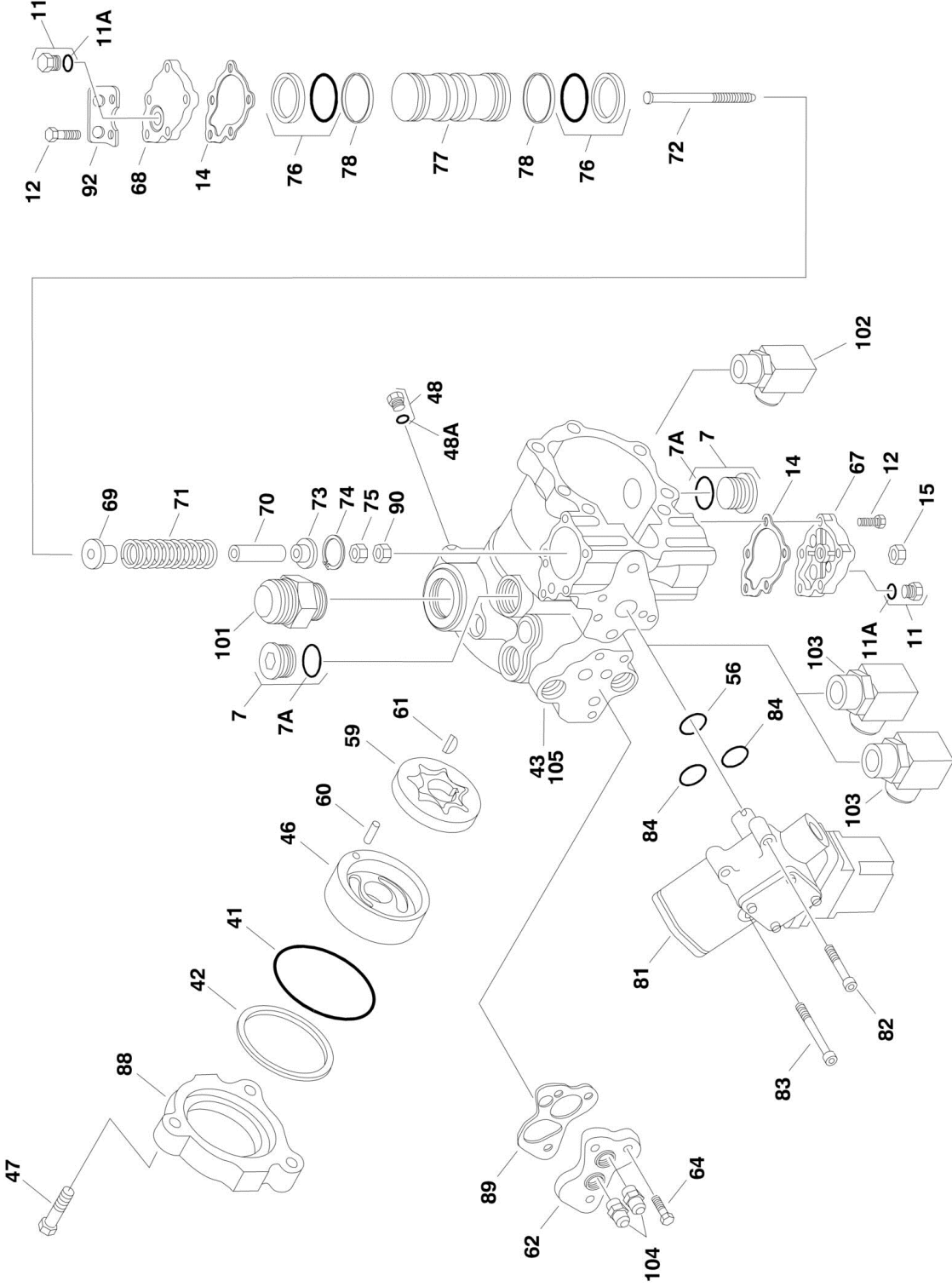
| ITEM | PART NUMBER | QTY | DESCRIPTION | REV |
|-------------|--------------------|----------------|---------------------------|------------|
| 253 | 4791400 | 2 | Starwasher 1/4in | |
| 254 | 4831900 | 4 | Lockwasher M8 | |
| 255 | 4920385 | 10 ft/3m | Wire, Safety | |
| 256 | 2180877 | 1 | Fitting 90 | |
| 257 | 0641826 | 2 | Bolt 1/2in-13NC x 3-1/4in | |
| 258 | 2720271 | 18 in /46cm | Hose | |

SECTION 2 - TURNTABLE

FIGURE 2-15. PISTON PUMP ASSEMBLY



SECTION 2 - TURNTABLE



SECTION 2 - TURNTABLE

FIGURE 2-15. PISTON PUMP ASSEMBLY

| ITEM | PART NUMBER | QTY | DESCRIPTION | REV |
|------|-------------|-----|--|-----|
| | | Ref | PISTON PUMP ASSEMBLY | |
| | 3600388 | Ref | Piston Pump Assembly 2WD | A |
| | 3600381 | Ref | Piston Pump Assembly 4WD | A |
| 1 | 7007413 | 1 | Shim Kit | |
| 2 | 7024874 | 1 | Plug (Pump Assembly p/n 3600388) (2WD) | |
| 2 | 7007414 | 1 | Plug (Pump Assembly p/n 3600381) (4WD) | |
| 3 | See Note | NSS | O-Ring (Note: Use Item 200A) | |
| 4 | 7021200 | 1 | Spring, Relief Valve | |
| 5 | 7007417 | 1 | Valve, Relief | |
| 6 | See Note | NSS | O-Ring (Note: Use Item 200A) | |
| 7 | 7007419 | 2 | Plug | |
| 7A | 7007418 | 2 | O-Ring | |
| 10 | 7007470 | 2 | Plug | |
| 10A | 7021256 | 2 | O-Ring | |
| 11 | 7007470 | 2 | Plug | |
| 11A | 7021256 | 2 | O-Ring | |
| 12 | 7021223 | 10 | Screw | |
| 14 | See Note | NSS | Gasket, Servo Cover (Note: Use Item 200A) | |
| 15 | 7007423 | 1 | Nut, Special | |
| 18 | 7007425 | 1 | Bearing, Needle | |
| 19 | See Note | NSS | Ring, Retaining (Note: Use Item 201) | |
| 20 | See Note | NSS | Washer (Note: Use Item 201) | |
| 21 | See Note | NSS | Spring (Note: Use Item 201) | |
| 23 | See Note | NSS | Washer (Note: Use Item 201) | |
| 24 | See Note | NSS | Retainer (Note: Use Item 201) | |
| 25 | See Note | NSS | Pin, Slipper Holddown (Note: Use Item 201) | |
| 26 | See Note | NSS | Piston Assembly (Note: Use Item 201) | |
| 27 | See Note | NSS | Retainer, Slipper (Note: Use Item 201) | |
| 28 | See Note | NSS | Guide, Retainer (Note: Use Item 201) | |
| 29 | 7007435 | 1 | Pin, Spring | |
| 30 | 7021202 | 1 | Screw | |
| 31 | 7007437 | 1 | Bearing, Ball | |
| 32 | 7007438 | 2 | Ring, Retainer | |
| 33 | 7007439 | 2 | Ring | |
| 34 | 7021203 | 2 | Pin, Spring | |
| 35 | 7007441 | 1 | Handle, Pin | |
| 36 | 7007442 | 1 | Sleeve, Bearing | |
| 37 | See Note | NSS | Gasket, Front Cover (Note: Use Item 200A) | |
| 38 | 7007444 | 1 | Pin | |
| 40 | 7007446 | 1 | Pin | |
| 41 | See Note | NSS | O-Ring (Note: Use Item 200A) | |
| 42 | See Note | NSS | Ring, Load Temper (Note: Use Item 200A) | |
| 43 | 7023977 | 1 | Housing, Pump | |
| 44 | See Note | NSS | Ring, Back-up (Note: Use Item 200A) | |
| 45 | See Note | NSS | O-Ring (Note: Use Item 200A) | |
| 46 | 7007452 | 1 | Cover, Gerotor | |
| 47 | 7007453 | 3 | Bolt, Hex | |
| 48 | 7007208 | 1 | Plug | |
| 48A | 7007207 | 1 | O-Ring | |
| 49 | 7024875 | 1 | Cover, Front (Pump Assembly p/n 3600388) (2WD) | |

SECTION 2 - TURNTABLE

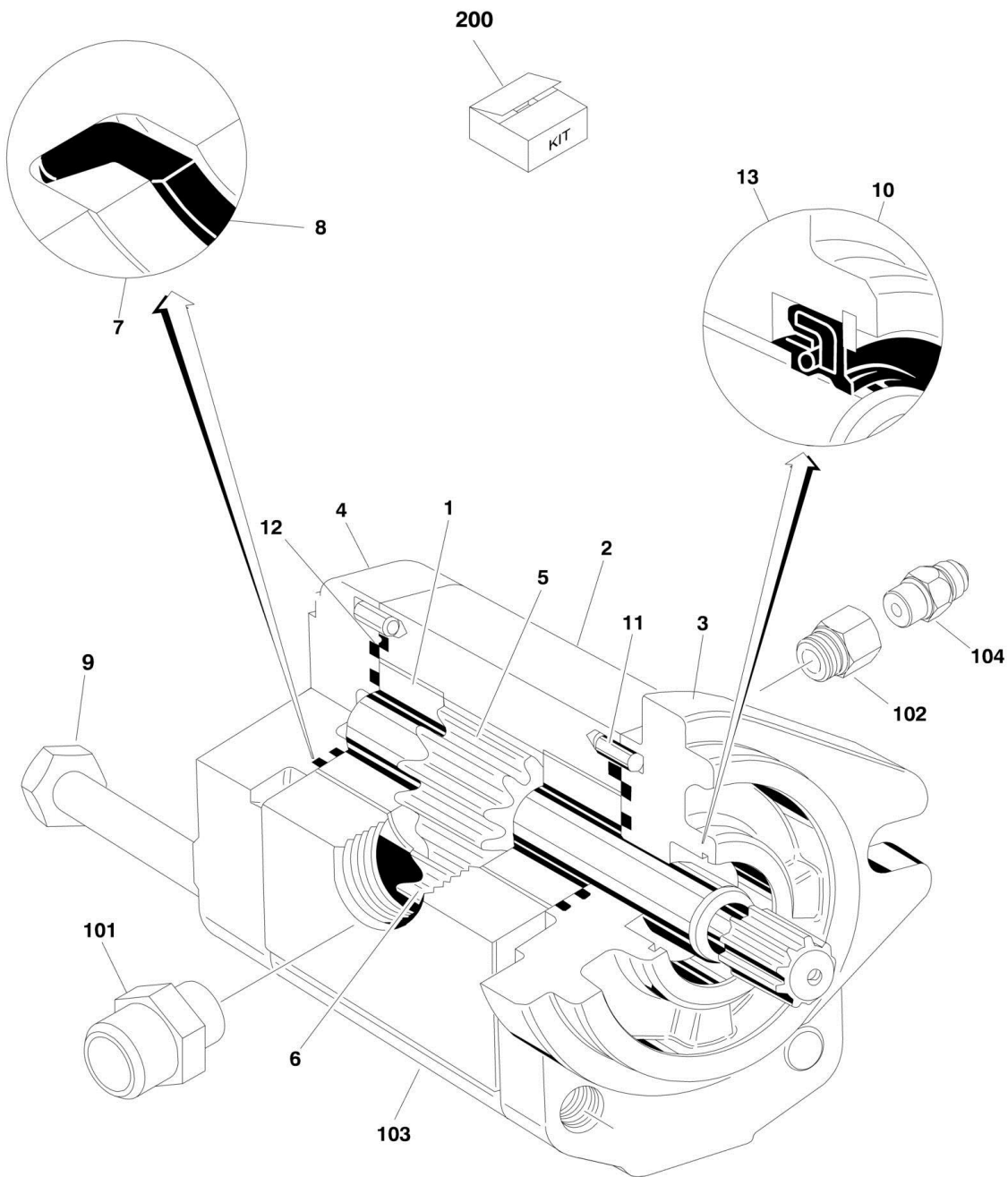
| ITEM | PART NUMBER | QTY | DESCRIPTION | REV |
|------|-------------|-----|--|-----|
| 49 | 7007454 | 1 | Cover, Front (Pump Assembly p/n 3600381) (4WD) | |
| 50 | See Note | NSS | Block, Cylinder (Note: Use Item 201) | |
| 51 | 7021207 | 6 | Screw | |
| 53 | 7007457 | 1 | Swash Plate | |
| 54 | 7021210 | 1 | Journal, Bearing (Pump Assembly p/n 3600388) (2WD) | |
| 54 | 7021212 | 1 | Journal, Bearing (Pump Assembly p/n 3600381) (4WD) | |
| 55 | 7007459 | 1 | Seal, Lip | |
| 56 | See Note | NSS | O-Ring (Note: Use Item 200A) | |
| 57 | 7010121 | 1 | Shaft, Main Pump | |
| 58 | 7021214 | 1 | Plate, Valve | |
| 59 | 7007463 | 1 | Gerotor Assembly | |
| 60 | 7007464 | 1 | Pin | |
| 61 | 7007465 | 1 | Key, Woodruff | |
| 62 | 7007466 | 1 | Adaptor, Remote Filtration (Without By-Pass) | |
| 64 | 7021218 | 3 | Screw | |
| 67 | 7021220 | 1 | Cover, Servo (Without Adjuster) | |
| 68 | 7021219 | 1 | Cover, Servo (Without Adjuster) | |
| 69 | 7023979 | 1 | Guide, Spring | |
| 70 | 7007484 | 1 | Stop, Servo | |
| 71 | 7007485 | 1 | Spring | |
| 72 | 7021221 | 1 | Screw | |
| 73 | 7007487 | 1 | Guide, Spring | |
| 74 | 7007488 | 1 | Ring, Retaining | |
| 75 | 7021222 | 1 | Locknut | |
| 76 | See Note | 2 | Ring, Piston (Note: Use Item 200A or 200B) | |
| 77 | 7007494 | 1 | Piston, Servo | |
| 78 | See Note | 2 | O-Ring (Note: Use Item 200A or 200B) | |
| 79 | 7024877 | 1 | Valve, Bypass (Pump Assembly p/n 3600388) (2WD) | |
| 79 | 7007472 | 1 | Valve, Bypass (Pump Assembly p/n 3600381) (4WD) | |
| 80 | 7010122 | 2 | Valve, Pressure Relief (Includes Item 6) (Pump Assembly p/n 3600388) (2WD) | |
| 80 | 7024851 | 2 | Valve, Pressure Relief (Includes Item 6) (Pump Assembly p/n 3600381) (4WD) | |
| 81 | 7007474 | 1 | Control, Dual Oil-Filled | |
| 81 | 7007496 | 1 | Coil Assembly (Pilot) | |
| 81 | 7007497 | 1 | Plug (Pump) | |
| 81 | 7007498 | 1 | Plug (Valve Harness) | |
| 82 | 7001498 | 2 | Screw | |
| 83 | 7007478 | 2 | Screw | |
| 84 | 7001433 | 2 | O-Ring | |
| 86 | 7007475 | 1 | Plug, Orifice/Screen (.156) | |
| 87 | 7007477 | 2 | Plug, Orifice (.37) | |
| 88 | 7007476 | 1 | Adapter, Auxiliary Pump | |
| 89 | 7021217 | 1 | Spacer/Gasket | |
| 90 | 7021206 | 1 | Nut | |
| 91 | 7024800 | 2 | Spring | |
| 92 | 7021201 | 1 | Bracket, Lifting | |
| | | Ref | PISTON PUMP AND FITTING ASSEMBLIES | |
| | 3600394 | Ref | Piston Pump and Fitting Assemblies 2WD | D |
| | 3600396 | Ref | 4WD (USA Built Machines) (SN 0300087000 through 0300139335) | C |
| | 1001117799 | Ref | 4WD (USA Built Machines) (SN 0300139336 through | A |

SECTION 2 - TURNTABLE

| ITEM | PART NUMBER | QTY | DESCRIPTION | REV |
|------|-------------|-----|--|-----|
| | 1001117799 | Ref | 0300171769) 4WD (China Built Machines) (SN B300000100 to Present) | A |
| 101 | 2220377 | 1 | Fitting, Straight | |
| 101 | 2220479 | 1 | Fitting, Straight | |
| 102 | 2220578 | 1 | Fitting, 90 | |
| 103 | 2220646 | 2 | Fitting, 90 | |
| 104 | 2220947 | 2 | Fitting, Straight | |
| 105 | | Ref | Pump Options (Includes Items 1-92) | |
| 105 | 3600388 | 1 | Pump 2WD | |
| 105 | 3600381 | 1 | Pump 4WD | |
| | | Ref | KIT OPTIONS: | |
| 200 | | Ref | Seal Kit Options: | |
| 200A | 7021232 | 1 | Seal Kit - Complete (Includes Items 3, 6, 14, 37, 41, 42, 44, 45, 55, 56, 76, 78, 84 & 89) | |
| 200B | 7007412 | 1 | Seal Kit - Servo Piston (Includes Items 76 & 78) | |
| 201 | 7010116 | 1 | Cylinder Block Kit (Includes Items 19-28 & 50) | |

SECTION 2 - TURNTABLE

FIGURE 2-16. GEAR PUMP ASSEMBLY



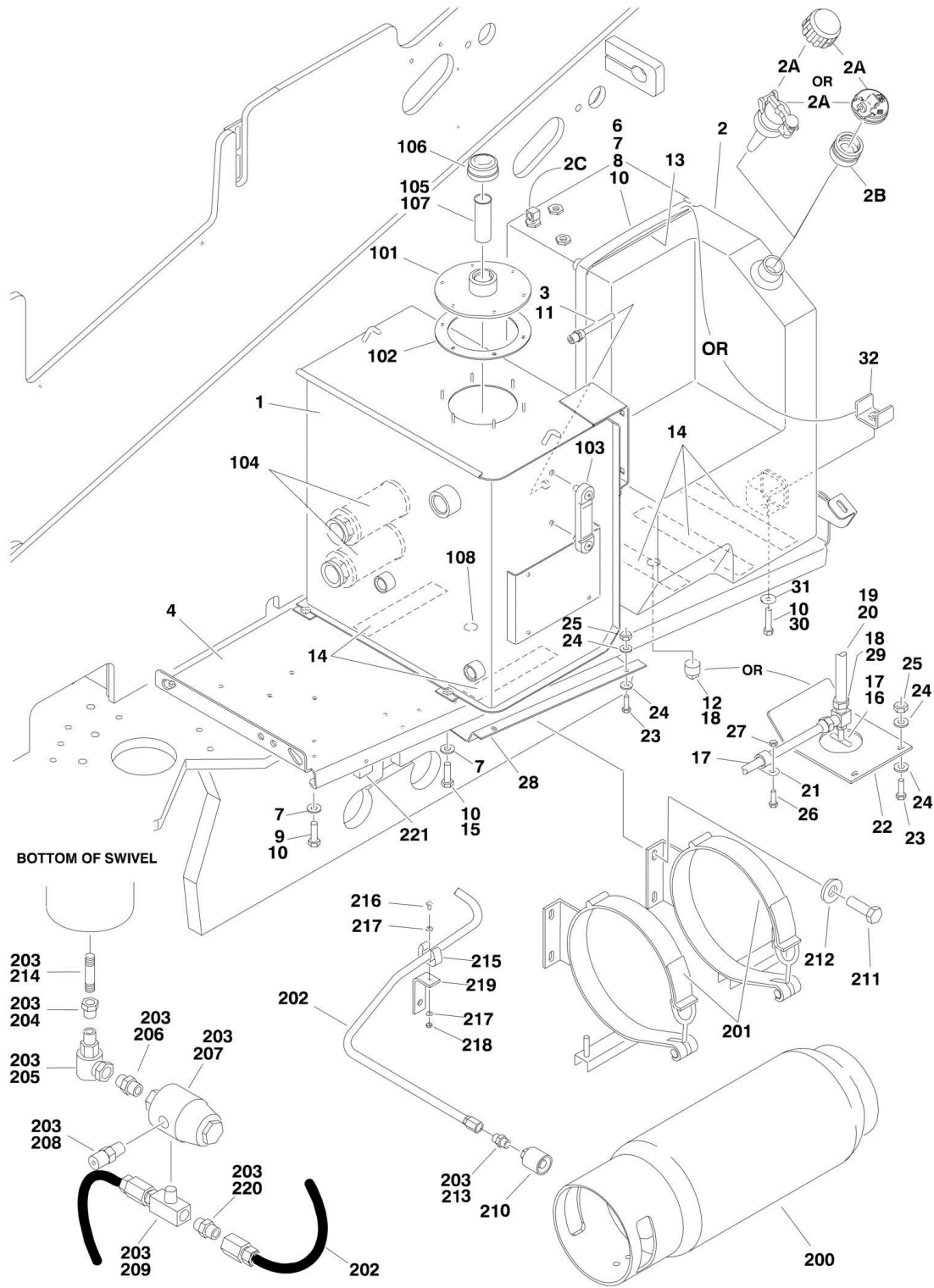
SECTION 2 - TURNTABLE

FIGURE 2-16. GEAR PUMP ASSEMBLY

| ITEM | PART NUMBER | QTY | DESCRIPTION | REV |
|------|-------------|-----|--|-----|
| | 3600242 | Ref | GEAR PUMP ASSEMBLY | |
| 1 | 7010105 | 2 | Bearing/Bushing | |
| 2 | See Note | NSS | Housing (Note: Use p/n 3600242 Complete Replacement) | |
| 3 | See Note | NSS | Flange (Note: Use p/n 3600242 Complete Replacement) | |
| 4 | 7010103 | 1 | Cover | |
| 5 | 7012987 | 1 | Gear, Drive | |
| 6 | 7012988 | 1 | Gear, Idler | |
| 7 | See Note | NSS | Ring, Anti-Extrusion (Note: Use Item 200) | |
| 8 | See Note | NSS | Seal (Note: Use Item 200) | |
| 9 | See Note | NSS | Bolt (Note: Not Available for Purchase) | |
| 10 | 7010104 | 1 | Ring, Retaining | |
| 11 | See Note | NSS | Pin, Dowel (Note: Not Available for Purchase) | |
| 12 | See Note | NSS | Seal, O-Ring (Note: Use Item 200) | |
| 13 | See Note | NSS | Seal, Shaft (Note: Use Item 200) | |
| | 3600395 | Ref | GEAR PUMP AND FITTING ASSEMBLY | A |
| 101 | 2220376 | 1 | Fitting, Straight | |
| 102 | 2220810 | 1 | Fitting, Reducer | |
| 103 | 3600242 | 1 | Pump (Includes Items 1-13) | |
| 104 | 4640744 | 1 | Fitting, Check Valve | |
| | | Ref | KIT OPTIONS | |
| 200 | 7007489 | 1 | Seal Kit (Includes Items 7, 8, 12 & 13) | |

SECTION 2 - TURNTABLE

FIGURE 2-17. TANK INSTALLATIONS



SECTION 2 - TURNTABLE

FIGURE 2-17. TANK INSTALLATIONS

| ITEM | PART NUMBER | QTY | DESCRIPTION | REV |
|------|-------------|-------------|--|------|
| | | Ref | TANKS INSTALLATIONS | |
| | 0254849 | Ref | Diesel Machines | 12-G |
| | 0271250 | Ref | Dual Fuel Machines (USA Built Machines) (SN 0300087000 through 0300140980) | I |
| | 1001116341 | Ref | Dual Fuel Machines (USA Built Machines) (SN 0300140981 through 0300171769) | A |
| 1 | 4400449 | 1 | Hydraulic Tank Assembly (See Items 101-108 for Breakdown) | |
| 2 | | Ref | Tank, Fuel Options: | |
| 2 | 4400400 | 1 | Diesel Machines | |
| 2 | 4400400 | 1 | Dual Fuel Machines (USA Built Machines) (SN 0300087000 through 0300109244) | |
| 2 | 1001091562 | NLA | Dual Fuel Machines (USA Built Machines) (Use p/n 1001111514) (SN 0300109245 through 0300140980) | |
| 2 | 1001111514 | 1 | Dual Fuel Machines (SN 0300140981 through 0300171769) | |
| 2A | | Ref | Cap Options: | |
| 2A | | Ref | Diesel Machines | |
| 2A | 7016314 | 1 | Standard Black Cap - Non-Locking | |
| 2A | 1120362 | 1 | Optional Cap with Fuel Gauge (Not Included with Tank) | |
| 2A | 1120487 | 1 | Optional Blue Cap (Not Included with Tank) | |
| 2A | | Ref | Dual Fuel Machines | |
| 2A | 7016314 | 1 | Standard Black Cap (USA Built Machines) (SN 0300087000 through 0300109244) | |
| 2A | 70001103 | 1 | Standard Black Cap (USA Built Machines) (SN 0300109245 through 0300140980) | |
| 2A | 70002715 | 1 | Standard Black Cap (USA Built Machines) (SN 0300140981 through 0300171769) | |
| 2A | 1120484 | 1 | Optional Red Cap - Ford Engine Machines Only (Not Included with Tank) | |
| 2B | 70002716 | 1 | Adapter (USA Built Gas Machines) (SN 0300140001 through 0300171769) | |
| 2C | | Ref | Tube, Fuel Pick-up (With Fitting) Options: | |
| 2C | 7019658 | 1 | Dual Fuel Engine Machines (USA Built Machines) (SN 0300087000 through 0300109244) | |
| 2C | 70004184 | 1 | Dual Fuel Engine Machines (SN 0300109245 through 0300140980) | |
| 2C | 70004149 | 1 | Dual Fuel Engine Machines (SN 0300140981 through 0300171769) | |
| 2C | 7019658 | 1 | Diesel Engine Machines | |
| 3 | 4360436 | 1 | Switch, Fuel Level | |
| 4 | | Ref | Hydraulic Tray Weldment Options: | |
| 4 | 4845393 | 1 | USA Built Machines (SN 0300087000 through 0300117083) | |
| 4 | 1001091911 | 1 | USA Built Machines (SN 0300117084 through 0300171769) | |
| 4 | 1001091911 | 1 | China Built Machines (SN B300000100 to Present) | |
| 6 | 4240113 | 1 | Strap, Tank | |
| 7 | 4751600 | AR | Flatwasher 3/8in Regular | |
| 8 | 3311601 | AR | Nut 3/8in-16NC | |
| 9 | 0641614 | 6 | Bolt 3/8in-16NC x 1-3/4in | |
| 10 | 0100011 | AR | Compound, Locking | |
| 11 | 0100079 | AR | Sealant, Pipe | |
| 12 | 2200233 | 1 | Plug (Diesel Machines Only) | |
| 13 | 4280295 | 25 in /44cm | Strip, Protective | |

SECTION 2 - TURNTABLE

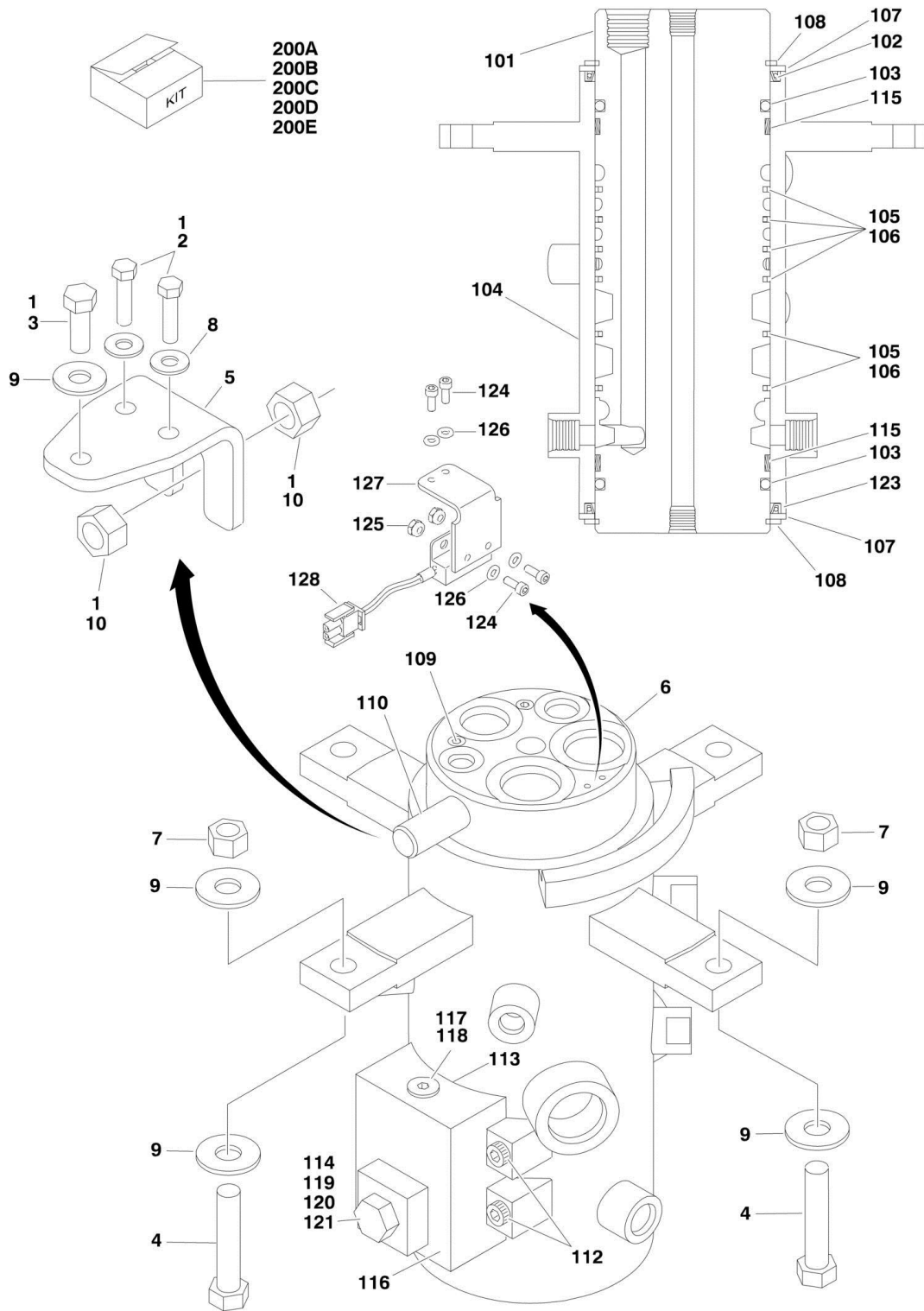
| ITEM | PART NUMBER | QTY | DESCRIPTION | REV |
|------|-------------|-----------------|---|-----|
| 14 | 4420038 | 70 in /1.78m | Tape, Rubber | |
| 15 | 0641608 | 4 | Bolt 3/8in-16NC x 1in | |
| | | Ref | Note: Items 16-32 Used on Dual Fuel Machines Only | |
| 16 | 4641022 | 1 | Valve, Needle | |
| 17 | 4568116 | 1 | Tube, Fuel | |
| 18 | 0100020 | AR | Sealant | |
| 19 | 0100062 | AR | Retaining Compound #680 | |
| 20 | 4568119 | 1 | Tube, Fuel | |
| 21 | 1320245 | 1 | Clamp | |
| 22 | 3572423 | 1 | Plate, Valve, Needle | |
| 23 | 0641508 | AR | Bolt 5/16in-18NC x 1in | |
| 24 | 4711500 | AR | Flatwasher 5/16in Thin | |
| 25 | 3311505 | AR | Locknut 5/16in-18NC | |
| 26 | 0641412 | 1 | Bolt 1/4in-20NC x 1-1/2in | |
| 27 | 3311405 | | Locknut 1/4in-20NC | |
| 28 | 3576755 | 1 | Cover, Fuel Pump | |
| 29 | 2221270 | 1 | Fitting, Brass | |
| 30 | 0641818 | 2 | Bolt 1/2in-13NC x 2-1/4in (USA Built Machines) (SN 0300140981 through 0300171769) | |
| 30 | 0641818 | 2 | Bolt 1/2in-13NC x 2-1/4in (China Built Machines) (SN B30000100 through B300000969) | |
| 31 | 4751800 | 2 | Flatwasher 1/2in Regular (USA Built Machines) (SN 0300140981 through 0300171769) | |
| 31 | 4751800 | 2 | Flatwasher 1/2in Regular (China Built Machines) (SN B30000100 through B300000969) | |
| 32 | 1001118133 | 2 | Bracket (USA Built Machines) (SN 0300140981 through 0300171769) | |
| 32 | 1001118133 | 2 | Bracket (China Built Machines) (SN B30000100 through B300000969) | |
| | 4400449 | Ref | HYDRAULIC TANK ASSEMBLY | G |
| 101 | 7024439 | 1 | Cover | |
| 102 | 7024440 | 1 | Gasket | |
| 103 | 7024441 | 1 | Gauge, Sight | |
| 104 | 7024442 | 2 | Strainer | |
| 105 | 7024443 | 1 | Filler Neck | |
| 106 | 7024444 | 1 | Cap, Vented | |
| 107 | 7024445 | 1 | Strainer | |
| 108 | 7024446 | 1 | Plug, Magnetic | |
| | 0255524 | Ref | LP TANK BRACKETS INSTALLATION (USA BUILT MACHINES ONLY) | 9-F |
| 200 | | Ref | Tank, LP - 43.5 Lbs Options: | |
| 200 | 4400275 | 1 | Aluminum | |
| 200 | 4400420 | 1 | Steel | |
| 201 | 1320220 | 2 | Clamp | |
| 201 | 1320127 | 2 | Clamp, Toggle (1 Per Clamp) | |
| 202 | 2720144 | 2 | Hose | |
| 203 | 0100020 | AR | Sealant, Pipe | |
| 204 | | Ref | Fitting, Reducer Options: | |
| 204 | 2221019 | 1 | Fitting, Reducer (SN 0300087000 through 0300136526) | |
| 204 | 2221197 | 1 | Fitting, Reducer (SN 0300136527 through 0300171769) | |
| 205 | 2180125 | 1 | Fitting, 90 Swivel | |
| 206 | 2220261 | AR | Fitting, Nipple | |

SECTION 2 - TURNTABLE

| ITEM | PART NUMBER | QTY | DESCRIPTION | REV |
|------|-------------|-----|---|-----|
| 207 | 2180388 | 1 | Fitting, Bulkhead | |
| 208 | 2180389 | 1 | Valve, Relief | |
| 209 | 2220418 | 1 | Fitting, Tee Options: | |
| 210 | 2180387 | 2 | Fitting, Straight | |
| 211 | 0641606 | 8 | Bolt 3/8in-16NC x 3/4in | |
| 212 | 4751600 | 8 | Flatwasher 3/8in Regular | |
| 213 | 2180418 | 2 | Fitting, Connector | |
| 214 | 2221018 | 1 | Fitting, Nipple (SN 0300087000 through 0300136527) | |
| 215 | 1320218 | 2 | Clamp, Spring | |
| 216 | 3910808 | 2 | Screw, Round Head #8-32NC x 1/2in | |
| 217 | 4750800 | 4 | Flatwasher #8 Regular | |
| 218 | 3310805 | 2 | Locknut #8-32NC | |
| 219 | 0181949 | 2 | Angle, Support | |
| 220 | 2221024 | 2 | Fitting, Union Ball Check | |
| 221 | 0362519 | 4 | Bar | |

SECTION 2 - TURNTABLE

FIGURE 2-18. ROTARY COUPLING INSTALLATION



SECTION 2 - TURNTABLE

FIGURE 2-18. ROTARY COUPLING INSTALLATION

| ITEM | PART NUMBER | QTY | DESCRIPTION | REV |
|------|-------------|-----|---|-----|
| | | Ref | ROTARY COUPLING INSTALLATIONS | |
| | | Ref | 2WS - USA Built Machines: | |
| | 0273052 | Ref | Rotary Coupling Installations (SN 0300087000 through 0300138728) | G |
| | 1001107498 | Ref | Rotary Coupling Installations (SN 0300138729 through 0300171769) | A |
| | | Ref | 2WS - China Built Machines: | |
| | 1001107498 | Ref | Rotary Coupling Installations (SN B300000100 through B300000969) | A |
| | | Ref | 4WS - USA Built Machines: | |
| | 0273161 | Ref | Rotary Coupling Installations (SN 0300087000 through 0300138728) | G |
| | 1001107499 | Ref | Rotary Coupling Installations (SN 0300138729 through 0300171769) | A |
| | | Ref | 4WS - China Built Machines: | |
| | 1001107499 | Ref | Rotary Coupling Installations (SN B300000100 through B300000969) | A |
| 1 | 0100011 | AR | Compound, Locking | |
| 2 | 0641612 | 2 | Bolt 3/8in-16NC x 1-1/2in | |
| 3 | 0641811 | 1 | Bolt 1/2in-13NC x 1-3/8in | |
| 4 | 0641820 | 2 | Bolt 1/2in-13NC x 2-1/2in | |
| 5 | 0903056 | 1 | Bracket | |
| 6 | | Ref | Coupling, Rotary Options (See Items 101-123 for Breakdown): | |
| 6 | | Ref | 2WS - USA Built Machines: | |
| 6 | 1660257 | NLA | Coupling, Rotary (Use p/n 1660303) (SN 0300087000 through 0300113929) | |
| 6 | 1660303 | 1 | Coupling, Rotary (SN 0300113930 through 0300138728) | |
| 6 | 1001106974 | 1 | Coupling, Rotary (SN 0300138729 through 0300171769) | |
| 6 | | Ref | 2WS - China Built Machines: | |
| 6 | 1001106974 | 1 | Coupling, Rotary (SN B300000100 through B300000969) | |
| 6 | | Ref | 4WS - USA Built Machines: | |
| 6 | 1660258 | NLA | Coupling, Rotary (Use p/n 1660304) (SN 0300087000 through 0300113929) | |
| 6 | 1660304 | 1 | Coupling, Rotary (SN 0300113930 through 0300138728) | |
| 6 | 1001106975 | 1 | Coupling, Rotary (SN 0300138729 through 0300171769) | |
| 6 | | Ref | 4WS - China Built Machines: | |
| 6 | 1001106975 | 1 | Coupling, Rotary (SN B300000100 through B300000969) | |
| 7 | 3271805 | 2 | Locknut 1/2in-13NC | |
| 8 | 4751600 | 2 | Flatwasher 3/8in Regular | |
| 9 | 4751800 | 5 | Flatwasher 1/2in Regular | |
| 10 | 3322201 | 2 | Nut 3/4in-16NC | |
| | | Ref | ROTARY COUPLING ASSEMBLIES | |
| | | Ref | 2WS - USA Built Machines: | |
| | 1660257 | Ref | Rotary Coupling Assemblies (Use p/n 1660303) (SN 0300087000 through 0300113929) | D |
| | 1660303 | Ref | Rotary Coupling Assemblies (SN 0300113930 through 0300138728) | B |
| | 1001106974 | Ref | Rotary Coupling Assemblies (SN 0300138729 through 0300171769) | A |
| | | Ref | 2WS - China Built Machines: | |
| | 1001106974 | Ref | Rotary Coupling Assemblies (SN B300000100 through B300000969) | A |

SECTION 2 - TURNTABLE

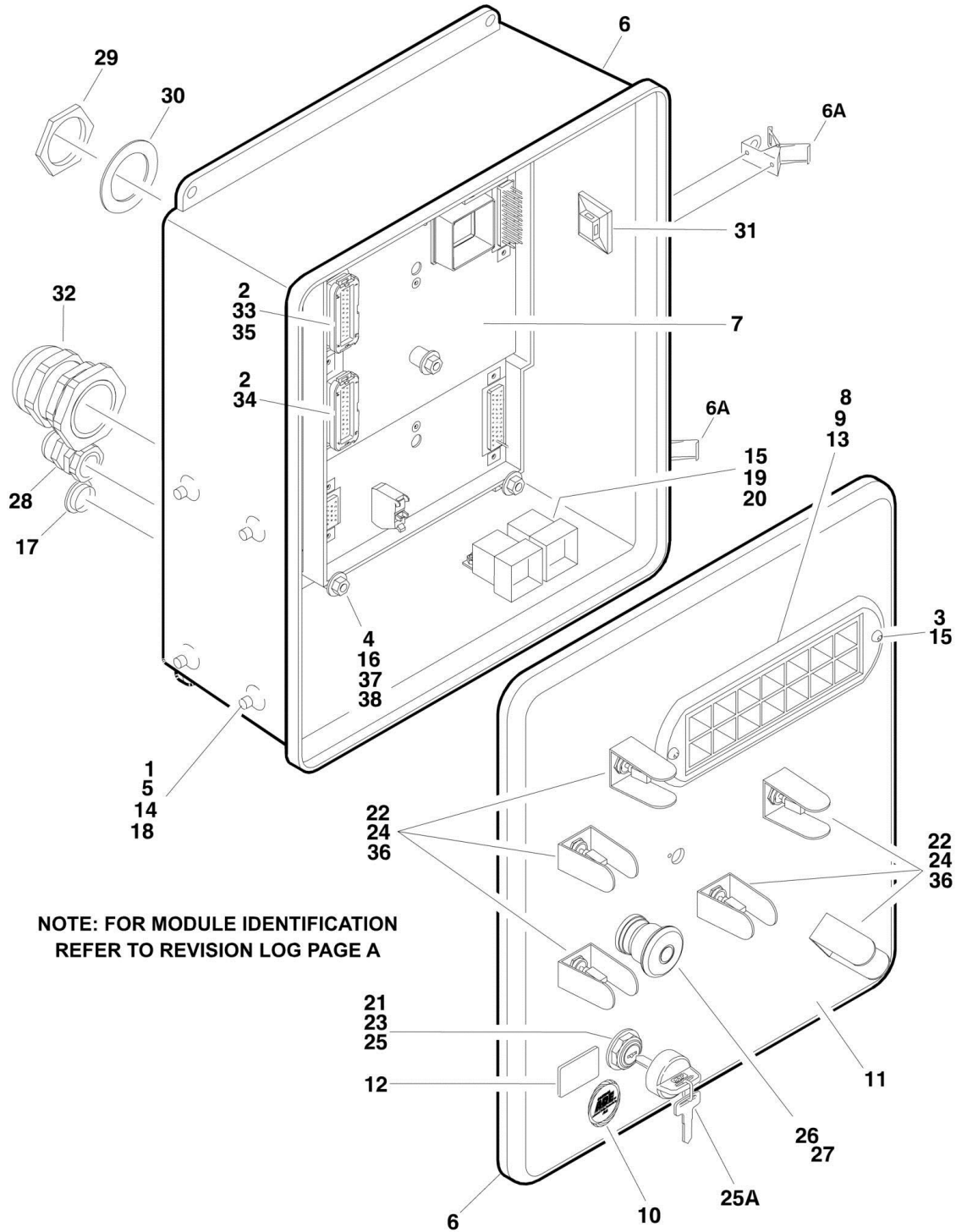
| ITEM | PART NUMBER | QTY | DESCRIPTION | REV |
|------|-------------|-----|--|-----|
| | | Ref | 4WS - USA Built Machines: | |
| | 1660258 | Ref | Rotary Coupling Assemblies (SN 0300087000 through 0300113929) | D |
| | 1660304 | Ref | Rotary Coupling Assemblies (SN 0300113930 through 0300138728) | B |
| | 1001106975 | Ref | Rotary Coupling Assemblies (SN 0300138729 through 0300171769) | A |
| | | Ref | 4WS - China Built Machines: | |
| | 1001106975 | Ref | Rotary Coupling Assemblies (SN B300000100 through B300000969) | A |
| 101 | See Note | NSS | Body (Note: Not Available - Purchase Complete Rotary Coupling Assembly) | |
| 102 | | Ref | Seal Options: | |
| 102 | 7026189 | 1 | 2WS (P/N 1660257 Coupling) | |
| 102 | 70001248 | 1 | 2WS (p/ns 1660303 & 1001106974 Coupling) | |
| 102 | See Note | 1 | 4WS (Note: Use Item 200C, 200D or 200E) | |
| 103 | See Note | 2 | O-Ring (Note: Use Item 200A, 200B, 200C, 200D or 200E) | |
| 104 | See Note | NSS | Housing (Note: Not Available - Purchase Complete Rotary Coupling Assembly) | |
| 105 | | Ref | Seal, Cap | |
| 105 | See Note | NSS | 2WS (Note: Use Item 200A or 200B) | |
| 105 | See Note | NSS | 4WS (Note: Use Item 200C, 200D or 200E) | |
| 106 | | Ref | O-RING | |
| 106 | See Note | NSS | 2WS (Note: Use Item 200A or 200B) | |
| 106 | See Note | NSS | 4WS (Note: Use Item 200C, 200D or 200E) | |
| 107 | | Ref | Ring Options: | |
| 107 | 7026503 | 2 | 2WS | |
| 107 | 7026511 | 2 | 4WS | |
| 108 | | Ref | Ring, Retaining Options: | |
| 108 | 7026504 | Ref | Ring, Retaining 2WS | |
| 108 | 7026504 | 2 | Ring, Retaining 2WS (1660257 Coupling) | |
| 108 | 7026504 | 1 | Ring, Retaining 4WS (1660303 & 1001106974 Coupling) | |
| 108 | 7013189 | Ref | Ring, Retaining 4WS | |
| 108 | 7013189 | 2 | Ring, Retaining 4WS (1660258 Coupling) | |
| 108 | 7013189 | 1 | Ring, Retaining 4WS (1660304 & 1001106975 Coupling) | |
| 109 | | Ref | Plug Options: | |
| 109 | | Ref | 2WS | |
| 109 | See Note | NSS | 1660257 Coupling (Note: Not Available - Purchase Locally) | |
| 109 | 80934561 | 2 | 1660303 & 1001106974 Coupling | |
| 109 | | Ref | 4WS | |
| 109 | See Note | NSS | 1660258 Coupling (Note: Not Available - Purchase Locally) | |
| 109 | 80934561 | 4 | 1660304 & 1001106975 Coupling | |
| 110 | See Note | NSS | Lug, Torque (Note: Not Available for Purchase) | |
| 112 | 7026197 | 4 | Bolt 5/16in-18NC x 1-1/4in | |
| 113 | See Note | NSS | O-Ring (Note: Use Item 200A, 200B, 200C, 200D or 200E) | |
| 114 | See Note | NSS | O-Ring (Note: Use Item 200A, 200B, 200C, 200D or 200E) | |
| 115 | See Note | NSS | Bearing (Note: Use Item 200A, 200B, 200C, 200D or 200E) | |
| 116 | 7024404 | 1 | Block Valve Assembly | |
| 117 | 7026505 | 1 | Plug | |
| 118 | 7026506 | 1 | Valve, Check | |
| 119 | 7026507 | 1 | Plug | |
| 120 | | Ref | Plunger, Valve Options: | |
| 120 | 7026508 | 1 | 1660257 & p/n 1660258 Couplings | |

SECTION 2 - TURNTABLE

| ITEM | PART NUMBER | QTY | DESCRIPTION | REV |
|------|-------------|-----|---|-----|
| 120 | 7024404 | 1 | 1660303, 1660304, 1001106974 & 1001106975 Couplings | |
| 121 | 7026509 | 1 | Spring, Compression | |
| 122 | See Note | NSS | Protective Netting (Not Shown) (1660303, 1660304, 1001106974 & 1001106975 Couplings) (Note: Not Available for Purchase) | |
| 123 | | Ref | Seal Options: | |
| 123 | 7026189 | 1 | 1660257 COUPLINGS | |
| 123 | 70001248 | 1 | 1660303 & 1001106974 Couplings | |
| 123 | See Note | NSS | 1660258, 1660304 & 1001106975 Couplings (Note: Use Item 200C, 200D or 200E) | |
| 124 | See Note | NSS | Screw, Socket Head #10-24NC x 1/2in (Note: Not Available - Purchase Locally) | |
| 125 | See Note | NSS | Locknut #10-24NC (Note: Not Available - Purchase Locally) | |
| 126 | See Note | NSS | Flatwasher #10 Regular (Note: Not Available - Purchase Locally) | |
| 127 | 70003454 | 1 | Bracket, Switch Mounting | |
| 128 | 4360517 | 1 | Switch, Proximity | |
| | | Ref | KIT OPTIONS | |
| 200 | | Ref | Seal Kit Options: | |
| 200A | 7026510 | 1 | 1660257 Coupling (Includes Items 103, 105, 106, 113, 114 & 115. Items 102 & 123 must be purchased separately) | |
| 200B | 70001248 | 1 | 1660303 & 1001106974 Couplings (Includes Items 102, 103, 105, 106, 113, 114, 115 & 123) | |
| 200C | 7026512 | 1 | 1660258 Coupling (Includes Items 102, 103, 105, 106, 113, 114, 115 & 123) | |
| 200D | 70001249 | 1 | 1660304 Coupling (Includes Items 102, 103, 105, 106, 113, 114, 115 & 123) | |
| 200E | 70002212 | 1 | 1001106975 Coupling (Includes Items 102, 103, 105, 106, 113, 114, 115 & 123) | |

SECTION 2 - TURNTABLE

FIGURE 2-19. GROUND CONTROL BOX ASSEMBLY (WITHOUT UGM)



SECTION 2 - TURNTABLE

FIGURE 2-19. GROUND CONTROL BOX ASSEMBLY (WITHOUT UGM)

| ITEM | PART NUMBER | QTY | DESCRIPTION | REV |
|------|-------------|-----|---|-----|
| | | Ref | Note: Only Available on USA Built Machines. | |
| | | Ref | Note: For Module Identification (Non-UGM/UGM), refer to Revision Log page A. | |
| | | Ref | GROUND CONTROL BOX ASSEMBLIES | |
| | | Ref | Ground Control Box Assemblies 600S (SN 0300087000 through 0300099059) | |
| | 0861696 | Ref | Caterpillar Engine (ANSI and ANSI Export Specs) | B |
| | 0861698 | Ref | Caterpillar Engine (Australian and CE Specs) | B |
| | 0861685 | Ref | Deutz Engine (ANSI and ANSI Export Specs) | B |
| | 0861687 | Ref | Deutz Engine (Australian and CE Specs) | B |
| | 0861694 | Ref | Ford Engine (ANSI and ANSI Export Specs) | B |
| | 0861788 | Ref | GM Engine (ANSI and ANSI Export Specs) | B |
| | | Ref | Ground Control Box Assemblies 600S (SN 0300099060 through 0300171769) | |
| | 1810071 | Ref | Caterpillar Engine (ANSI and ANSI Export Specs) | D |
| | 1810072 | Ref | Caterpillar Engine (Australian and CE Specs) | D |
| | 1810069 | Ref | Deutz Engine (ANSI and ANSI Export Specs) | C |
| | 1810070 | Ref | Deutz Engine (Australian and CE Specs) | C |
| | 1810068 | Ref | GM Engine (ANSI and ANSI Export Specs) | C |
| | | Ref | Ground Control Box Assemblies 600SJ & 660SJ (SN 0300087000 through 0300099059) | |
| | 0861697 | Ref | Caterpillar Engine (ANSI and ANSI Export Specs) | B |
| | 0861699 | Ref | Caterpillar Engine (Australian and CE Specs) | B |
| | 0861686 | Ref | Deutz Engine (ANSI and ANSI Export Specs) | B |
| | 0861688 | Ref | Deutz Engine (Australian and CE Specs) | B |
| | 0861695 | Ref | Ford Engine (ANSI and ANSI Export Specs) | C |
| | 0861789 | Ref | GM Engine (ANSI and ANSI Export Specs) | B |
| | | Ref | Ground Control Box Assemblies 600SJ & 660SJ (SN 0300099060 through 0300171769) | |
| | 1810076 | Ref | Caterpillar Engine (ANSI and ANSI Export Specs) | D |
| | 1810077 | Ref | Caterpillar Engine (Australian and CE Specs) | D |
| | 1810074 | Ref | Deutz Engine (ANSI and ANSI Export Specs) | C |
| | 1810075 | Ref | Deutz Engine (Australian and CE Specs) | C |
| | 1810073 | Ref | GM Engine (ANSI and ANSI Export Specs) | C |
| 1 | 0100011 | AR | Compound, Locking | |
| 2 | 0100048 | AR | Grease, Dielectric | |
| 3 | 0630518 | 2 | Capscrew, Button Head | |
| 4 | 0630548 | 5 | Bolt | |
| 5 | 0641506 | 4 | Bolt 5/16in-18NC x 3/4in | |
| 6 | 0861389 | 1 | Box, Fiberglass | |
| 6A | 7020246 | 2 | Latch | |
| 7 | | Ref | Module, Ground Control Options: | |
| | | Ref | Note: Re-calibration Required when Replaced. | |
| 7 | 1600364 | 1 | Caterpillar and Ford Engines (SN 0300087000 through 0300099059) | |
| 7 | 1600411 | 1 | Caterpillar Engines (SN 0300099060 through 0300171769) | |
| 7 | 1600411 | 1 | Deutz and GM Engines | |
| 7 | 2915014 | 1 | Update Kit (Includes Module, Cables, Programming Instructions and CD Software) (Use with 1600364) | |
| 8 | 1670829 | 1 | Bezel | |
| 9 | | Ref | Decal - Ground Control Display Options: | |

SECTION 2 - TURNTABLE

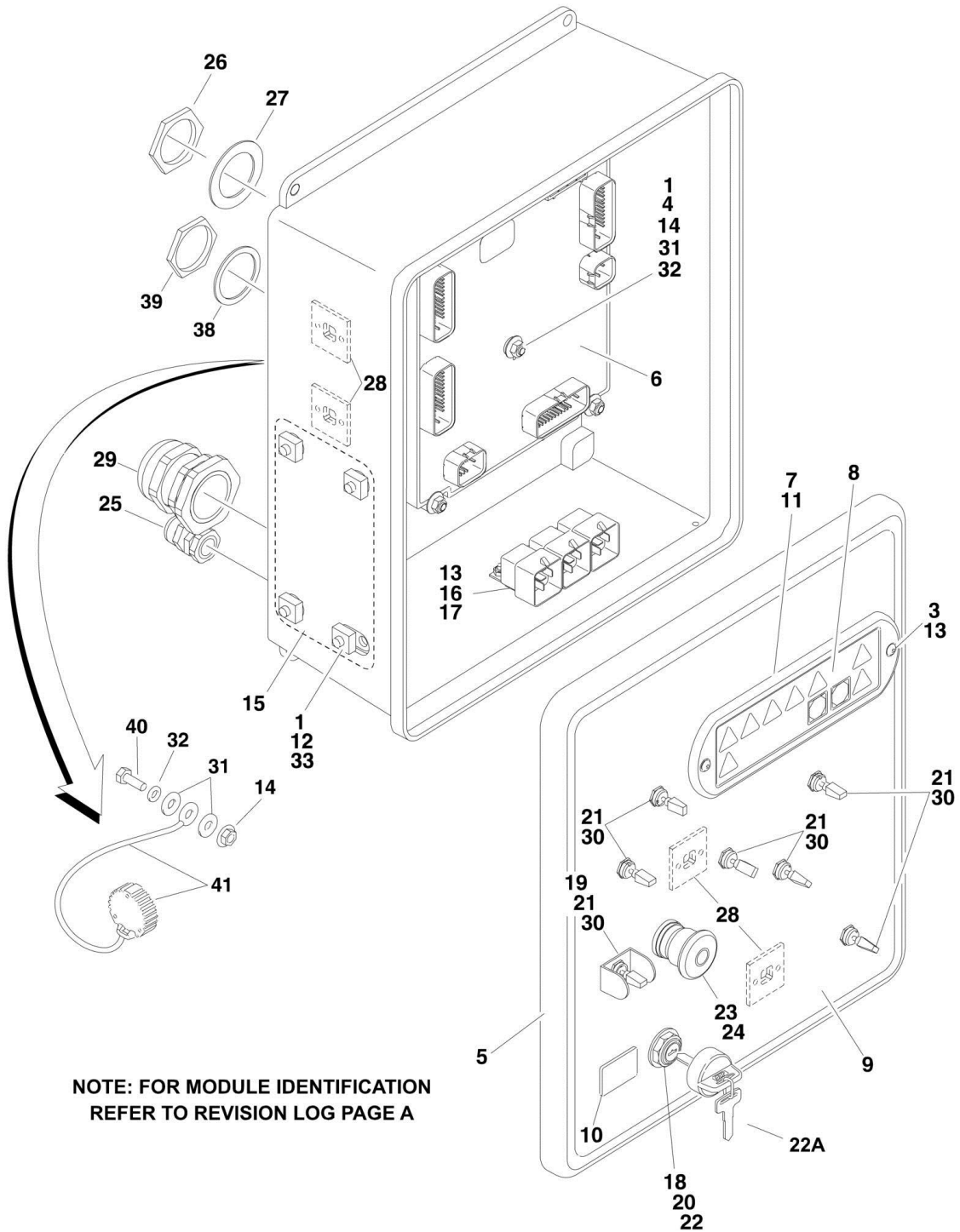
| ITEM | PART NUMBER | QTY | DESCRIPTION | REV |
|------|-------------|-----|--|-----|
| 9 | 1705753 | 1 | Decal - Ground Control Display (SN 0300087000 through 0300099059) | |
| 9 | 1706712 | 1 | Decal - Ground Control Display (SN 0300099060 through 0300171769) | |
| 10 | 1705132 | 1 | Decal - ADE (SN 0300087000 through 0300099060) | |
| 11 | | Ref | Decal - Faceplate Options: | |
| 11 | | Ref | Decal - Faceplate 600S Options: | |
| 11 | 1703465 | 1 | Decal - Faceplate (SN 0300087000 through 0300099059) | |
| 11 | 1706914 | 1 | Decal - Faceplate (SN 0300099060 through 0300135020) | |
| 11 | 1001102601 | 1 | Decal - Faceplate (SN 0300135021 through 0300171769) | |
| 11 | | Ref | Decal - Faceplate 600SJ/660SJ Options: | |
| 11 | 1703466 | 1 | Decal - Faceplate (SN 0300087000 through 0300099059) | |
| 11 | 1706915 | 1 | Decal - Faceplate (SN 0300099060 through 0300135020) | |
| 11 | 1001102602 | 1 | Decal - Faceplate (SN 0300135021 through 0300171769) | |
| 12 | 2420172 | 1 | Gauge, Hourmeter | |
| 13 | 2760105 | 1 | Housing, Display Light | |
| 14 | 3300205 | 4 | Nut, Retainer | |
| 15 | 3300408 | 4 | Locknut, Plastic Insert | |
| 16 | 3311401 | 10 | Nut 1/4in-20NC | |
| 17 | 3520035 | 1 | Plug, Cap | |
| 18 | 3539219 | 1 | Plate, Reinforcement | |
| 19 | 3740049 | Ref | Relay Options: | |
| 19 | 3740049 | 3 | Caterpillar Engines | |
| 19 | 3740049 | 2 | Deutz, Ford and GM Engines | |
| 20 | 3900268 | 2 | Screw, Flange #10 x 1/2in | |
| 21 | 3910804 | 6 | Screw #8-32NC x 1/4in | |
| 22 | 4060906 | Ref | Shield, Toggle Switch Options: | |
| 22 | | Ref | Shield, Toggle Switch 600S (SN 0300087000 through 0300135021) | |
| 22 | 4060906 | 7 | Shield, Toggle Switch 600SJ & 660SJ (SN 0300087000 through 0300135020) | |
| 22 | 4060906 | 1 | All Models (SN 0300135021 through 0300171769) | |
| 23 | 4070987 | 1 | Shim (.015in) | |
| 24 | 4360328 | Ref | Switch, Toggle | |
| 24 | 4360328 | 6 | Switch, Toggle 600S | |
| 24 | 4360328 | 7 | Switch, Toggle 600SJ & 660SJ | |
| 25 | | Ref | Switch, Key Options: | |
| 25 | 4360469 | 1 | ANSI and ANSI Export Specs | |
| 25 | 4360470 | 1 | Australian and CE Specs | |
| 25A | 2860030 | 1 | Key Replacement | |
| 26 | 4360475 | 1 | Switch, Emergency Stop | |
| 27 | 4360476 | 1 | Switch, Contact Block | |
| 28 | 4460426 | 1 | Connector, Strain Relief | |
| 29 | 4460470 | 1 | Nut, Terminal | |
| 30 | 4460471 | 1 | Lockwasher, Terminal | |
| 31 | 4460488 | AR | Mounting Base, Terminal | |
| 32 | 4460526 | 1 | Connector, Strain Relief | |
| 33 | 4460874 | 1 | Connector (Natural) | |
| 34 | 4460875 | 1 | Connector (Gray) | |
| 35 | 4460905 | 4 | Connector, Amp Seal Plug | |
| 36 | 4740444 | Ref | Flatwasher, Special | |
| 36 | 4740444 | 6 | Flatwasher, Special 600S | |

SECTION 2 - TURNTABLE

| ITEM | PART NUMBER | QTY | DESCRIPTION | REV |
|------|-------------|-----|--|-----|
| 36 | 4740444 | 7 | Flatwasher, Special 600SJ & 660SJ | |
| 37 | 4751400 | 20 | Flatwasher 1/4in Regular | |
| 38 | 4761400 | 15 | Lockwasher 1/4in | |
| 39 | 4923206 | 1 | Valve Harness Assembly (Not Shown - See ELECTRICAL SECTION for Breakdown) | |
| 40 | | Ref | Ground Control Box Harness Assembly (Not Shown - See ELECTRICAL SECTION for Breakdown) | |
| 40 | 4923229 | 1 | Caterpillar and Ford Engine (SN 0300087000 through 0300099060) | |
| 40 | 4923213 | 1 | Deutz and GM Engine (SN 0300087000 through 0300099059) | |
| 40 | 4923577 | 1 | Caterpillar, Deutz and GM Engine (SN 0300099060 through 0300137194) | |
| 40 | 1001108126 | 1 | Caterpillar, Deutz and GM Engine (SN 0300137195 through 0300171769) | |
| 41 | | Ref | Engine Harness Assembly (Not Shown - See ELECTRICAL SECTION for Breakdown) | |
| 41 | 4923227 | 1 | Caterpillar Engine (SN 0300087000 through 0300099059) | |
| 41 | 4923576 | 1 | Caterpillar Engine (SN 0300099060 through 0300171769) | |
| 41 | 4923212 | 1 | Deutz Engine | |
| 41 | 4923226 | 1 | Ford Engine | |
| 41 | 4923492 | 1 | GM Engine | |

SECTION 2 - TURNTABLE

FIGURE 2-20. GROUND CONTROL BOX ASSEMBLY (WITH UGM)



SECTION 2 - TURNTABLE

FIGURE 2-20. GROUND CONTROL BOX ASSEMBLY (WITH UGM)

| ITEM | PART NUMBER | QTY | DESCRIPTION | REV |
|------|-------------|-----|--|-----|
| | | Ref | Note: For Module Identification (Non-UGM/UGM), refer to Revision Log page A. | |
| | | Ref | GROUND CONTROL BOX ASSEMBLIES | |
| | | Ref | Ground Control Box Assemblies 600S: | |
| | 1001110354 | Ref | Caterpillar Engine (ANSI and ANSI Export Specs) | C |
| | 1001110356 | Ref | Caterpillar Engine (Australian Specs USA Built Machines) (SN 0300087000 through 0300149409) | C |
| | 1001110356 | Ref | Caterpillar Engine (Australian Specs China Built Machines) (SN B300000100 through B300000309) | C |
| | 1001110354 | Ref | Caterpillar Engine (Australian Specs USA Built Machines) (SN 0300149410 through 0300171769) | C |
| | 1001110354 | Ref | Caterpillar Engine (Australian Specs China Built Machines) (SN B300000310 to Present) | C |
| | 1001110356 | Ref | Caterpillar Engine (CE Specs) | C |
| | 1001110349 | Ref | Deutz Engine (ANSI and ANSI Export Specs) | C |
| | 1001110352 | Ref | Deutz Engine (Australian Specs USA Built Machines) (SN 0300087000 through 0300149409) | C |
| | 1001110352 | Ref | Deutz Engine (Australian Specs China Built Machines) (SN B300000100 through B300000309) | C |
| | 1001110349 | Ref | Deutz Engine (Australian Specs USA Built Machines) (SN 0300149410 through 0300171769) | C |
| | 1001110349 | Ref | Deutz Engine (Australian Specs China Built Machines) (SN B300000310 to Present) | C |
| | 1001110352 | Ref | Deutz Engine (CE Specs) | C |
| | 1001110348 | Ref | GM Engine (ANSI and ANSI Export Specs) | C |
| | | Ref | Ground Control Box Assemblies 660SJ: | |
| | 1001110355 | Ref | Caterpillar Engine (ANSI and ANSI Export Specs) | C |
| | 1001110357 | Ref | Caterpillar Engine (Australian Specs USA Built Machines) (SN 0300087000 through 0300149409) | C |
| | 1001110357 | Ref | Caterpillar Engine (Australian Specs China Built Machines) (SN B300000100 through B300000309) | C |
| | 1001110355 | Ref | Caterpillar Engine (Australian Specs USA Built Machines) (SN 0300149410 through 0300171769) | C |
| | 1001110355 | Ref | Caterpillar Engine (Australian Specs China Built Machines) (SN B300000310 to Present) | C |
| | 1001110357 | Ref | Caterpillar Engine (CE Specs) | C |
| | 1001110351 | Ref | Deutz Engine (ANSI and ANSI Export Specs) | C |
| | 1001110353 | Ref | Deutz Engine (Australian Specs USA Built Machines) (SN 0300087000 through 0300149409) | C |
| | 1001110353 | Ref | Deutz Engine (Australian Specs China Built Machines) (SN B300000100 through B300000309) | C |
| | 1001110351 | Ref | Deutz Engine (Australian Specs USA Built Machines) (SN 0300149410 through 0300171769) | C |
| | 1001110351 | Ref | Deutz Engine (Australian Specs China Built Machines) (SN B300000310 to Present) | C |
| | 1001110353 | Ref | Deutz Engine (CE Specs) | C |
| | 1001110350 | Ref | GM Engine (ANSI and ANSI Export Specs) | C |
| 1 | 0100011 | AR | Compound, Locking | |
| 2 | 0100048 | AR | Grease, Dielectric | |
| 3 | 0630518 | 2 | Capscrew, Button Head | |
| 4 | 0630548 | 5 | Bolt | |
| 5 | 1001111017 | 1 | Box, Fiberglass | |
| 5A | 7020246 | 2 | Latch | |

SECTION 2 - TURNTABLE

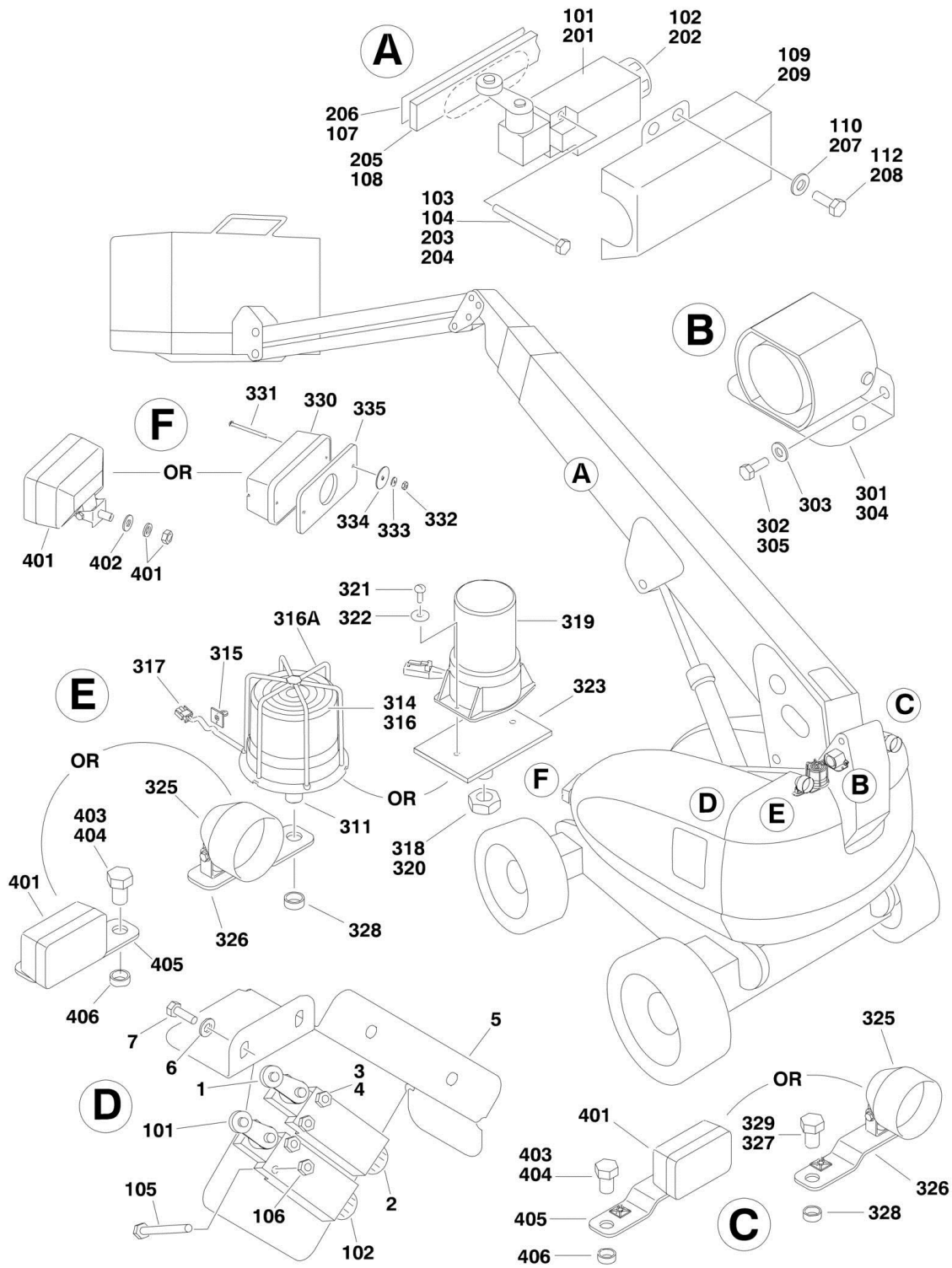
| ITEM | PART NUMBER | QTY | DESCRIPTION | REV |
|------|-------------|-----|---|-----|
| 6 | 1001103667 | 1 | Module, Ground Control (Note: Re-calibration Required when Replaced) | |
| 7 | 1670829 | 1 | Bezel | |
| 8 | 1706712 | 1 | Decal - Ground Control Display | |
| 9 | | Ref | Decal - Faceplate Options: | |
| 9 | 1001102601 | 1 | Decal - Faceplate 600S | |
| 9 | 1001102602 | 1 | Decal - Faceplate 660SJ | |
| 10 | 2420172 | 1 | Gauge, Hourmeter | |
| 11 | 2760105 | 1 | Housing, Display Light | |
| 12 | 3300205 | 4 | Nut, Retainer | |
| 13 | 3300408 | 4 | Locknut, Plastic Insert | |
| 14 | 77143013 | 11 | Nut 1/4in-20NC, Whiz Lock | |
| 15 | 3539219 | 1 | Plate, Reinforcement | |
| 16 | 3740049 | Ref | Relay Options: | |
| 16 | 3740049 | 3 | Relay Caterpillar Engines | |
| 16 | 3740049 | 2 | Relay Deutz, Ford and GM Engines | |
| 17 | 3900268 | AR | Screw, Flange #10 x 1/2in | |
| 18 | 3910804 | 6 | Screw #8-32NC x 1/4in | |
| 19 | 4060906 | 1 | Shield, Toggle Switch | |
| 20 | | Ref | Shim Options: | |
| 20 | 4070987 | 1 | Shim (.125in) | |
| 20 | 1001151393 | 1 | Shim (.063in) | |
| 21 | 4360328 | Ref | Switch, Toggle | |
| 21 | 4360328 | 6 | Switch, Toggle 600S | |
| 21 | 4360328 | 7 | Switch, Toggle 660SJ | |
| 22 | | Ref | Switch, Key Options: | |
| 22 | 4360469 | 1 | ANSI and ANSI Export Specs | |
| 22 | 4360470 | 1 | Australian Specs USA Built Machines (SN 0300087000 through 0300149409) | |
| 22 | 4360470 | 1 | Australian Specs China Built Machines (SN B300000100 through B300000309) | |
| 22 | 4360469 | 1 | Australian Specs USA Built Machines (SN 0300149410 through 0300171769) | |
| 22 | 4360469 | 1 | Australian Specs China Built Machines (SN B300000310 to Present) | |
| 22 | 4360470 | 1 | CE Specs | |
| 22A | 2860030 | 1 | Key Replacement | |
| 23 | 4360475 | 1 | Switch, Emergency Stop | |
| 24 | 4360476 | 1 | Switch, Contact Block | |
| 25 | 4460426 | 1 | Terminal, Strain Relief | |
| 26 | 4460470 | 1 | Nut, Terminal | |
| 27 | 4460471 | 1 | Lockwasher, Terminal | |
| 28 | 4460488 | 6 | Mounting Base, Terminal | |
| 29 | 4460526 | 1 | Connector, Strain Relief | |
| 30 | 4740444 | AR | Washer, Special | |
| 31 | 4751400 | 12 | Flatwasher 1/4in Regular | |
| 32 | 4761400 | 6 | Lockwasher 1/4in | |
| 33 | 0641506 | 4 | Bolt 5/16in-18NC x 3/4in | |
| 34 | 4923206 | 1 | Harness, Valve (See ELECTRICAL SECTION for Breakdown) (Not Shown) | |
| 35 | | Ref | Harness, Engine (See ELECTRICAL SECTION for Breakdown) (Not Shown) | |
| 35 | 1001110362 | 1 | Caterpillar Engine | |

SECTION 2 - TURNTABLE

| ITEM | PART NUMBER | QTY | DESCRIPTION | REV |
|-------------|--------------------|------------|--|------------|
| 35 | 1001110361 | 1 | Deutz Engine | |
| 35 | 1001110359 | 1 | GM Engine | |
| 36 | 1001108602 | 1 | Harness, Ground Control Box (See ELECTRICAL SECTION for Breakdown) (Not Shown) | |
| 38 | 4460496 | 1 | Lockwasher, Terminal | |
| 39 | 4460497 | 1 | Nut, Terminal | |
| 40 | 0641407 | 1 | Bolt 1/4in-20NC x 7/8in | |
| 41 | 1001106736 | 1 | Cap, Dust | |

SECTION 2 - TURNTABLE

FIGURE 2-21. ELECTRICAL OPTIONS INSTALLATION (TURNTABLE MOUNTED)



SECTION 2 - TURNTABLE

FIGURE 2-21. ELECTRICAL OPTIONS INSTALLATION (TURNTABLE MOUNTED)

| ITEM | PART NUMBER | QTY | DESCRIPTION | REV |
|------|-------------|-----------|--|-----|
| | 0255335 | Ref | LIMIT SWITCH INSTALLATION - ABOVE HORIZONTAL (ALL SPECS EXCEPT CE SPEC) | G |
| 1 | 4360578 | 1 | Switch, Limit | |
| 2 | 4460968 | 1 | Connector, Strain Relief | |
| 3 | | Ref | Capscrew Options: | |
| 3 | 3931028 | 2 | Capscrew, Socket Head #8-32NC x 1-3/4in | |
| 3 | 3930828 | 2 | Capscrew, Socket Head #10-24NC x 1-3/4in | |
| 4 | | Ref | Locknut Options: | |
| 4 | 3310805 | 2 | Locknut #8-32NC | |
| 4 | 3311005 | 2 | Locknut #10-24NC | |
| 5 | 1670818 | 1 | Cover, Limit Switch | |
| 6 | 4751400 | 4 | Flatwasher 1/4in Regular | |
| 7 | 3931408 | 4 | Capscrew 1/4in-20NC x 1in | |
| | 0255698 | Ref | LIMIT SWITCHES INSTALLATION - DUAL CAPACITY (600S ALL SPECS EXCEPT CE AND LATIN AMERICAN SPECS) | 7-D |
| 101 | 4360578 | 1 | Switch, Limit | |
| 102 | 4460968 | 2 | Connector, Strain Relief | |
| 103 | 0100035 | AR | Compound, Locking | |
| 104 | 3930816 | 2 | Capscrew, Socket Head #8-32NC x 1in | |
| 105 | 3930828 | 2 | Capscrew, Socket Head #8-32NC x 1-3/4in | |
| 106 | 3310805 | 2 | Locknut #8-32NC | |
| 107 | 4420054 | 9 ft/2.7m | Tape, Double Sided | |
| 108 | | Ref | Bar, Fiberglass Options: | |
| 108 | 0362528 | NLA | USA Built Machines (Use p/n 1001106479) (SN 0300087000 through 0300138728) | |
| 108 | 1001106479 | 1 | USA Built Machines (SN 0300138729 through 0300171769) | |
| 108 | 1001106479 | 1 | China Built Machines (SN B300000100 through B300000969) | |
| 109 | 1670824 | 1 | Cover, Limit Switch | |
| 110 | 4751400 | 4 | Flatwasher 1/4in Regular | |
| 112 | 0641403 | 4 | Bolt 1/4in-20NC x 3/8in | |
| | | Ref | TRANSPORT SWITCH INSTALLATION (CE SPEC) | |
| | 0256305 | Ref | Transport Switch Installation 600S & 660SJ | 6 |
| | 0256306 | Ref | Transport Switch Installation 600SJ | 6 |
| | | Ref | Note: Only Available on USA Built Machines. | |
| 201 | 4360578 | 1 | Switch, Limit | |
| 202 | 4460968 | 1 | Connector, Strain Relief | |
| 203 | 3930828 | 2 | Capscrew, Socket Head #8-32NC x 1-3/4in | |
| 204 | 3310805 | 2 | Locknut #8-32NC | |
| 205 | | Ref | Bar, Fiberglass Options: | |
| 205 | 0362609 | NLA | Bar, Fiberglass 600S & 660SJ (Use p/n 1001106481) (SN 0300087000 through 0300138728) | |
| 205 | 1001106481 | 1 | Bar, Fiberglass 600S & 660SJ (SN 0300138729 through 0300171769) | |
| 205 | 0362610 | NLA | Bar, Fiberglass 600SJ (Use p/n 1001106482) (SN 0300087000 through 0300138728) | |
| 205 | 1001106482 | 1 | Bar, Fiberglass 600SJ (SN 0300138729 through 0300171769) | |
| 206 | 4420060 | AR | Tape, Double-Sided | |
| 207 | 4751400 | 4 | Flatwasher 1/4in Regular | |
| 208 | 0641403 | 4 | Bolt 1/4in-20NC x 3/8in | |
| 209 | 3380535 | 1 | Cover, Limit Switch | |
| | 0270833 | Ref | ALARM INSTALLATIONS | C |

SECTION 2 - TURNTABLE

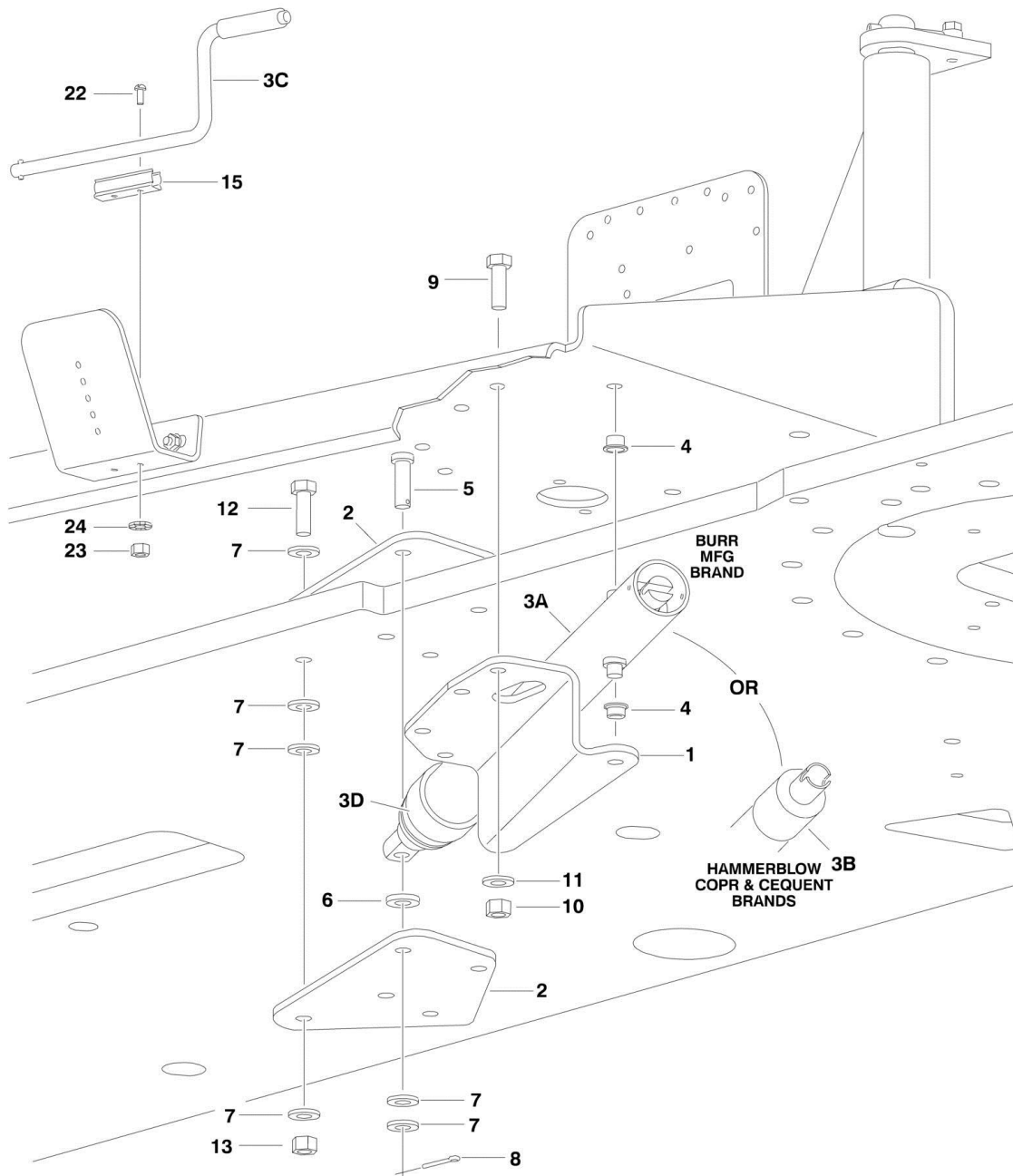
| ITEM | PART NUMBER | QTY | DESCRIPTION | REV |
|------|-------------|-----------|---|-----|
| 301 | 0257887 | 1 | Alarm/Harness Assembly | |
| 301 | 0140032 | 1 | Alarm | |
| 301 | 2820035 | 6 in/15cm | Loom | |
| 301 | 4460424 | 1 | Plug | |
| 301 | 4460268 | 2 | Socket | |
| 302 | 0641406 | 2 | Bolt 1/4in-20NC x 3/4in | |
| 303 | 4711400 | 2 | Flatwasher 1/4in Thin | |
| 304 | 0100048 | AR | Sealant, Silicone | |
| 305 | 0100011 | AR | Compound, Locking | |
| | 0270805 | Ref | STROBE LIGHT INSTALLATION (AMBER) (OPTIONAL) (USA BUILT MACHINES) (SN 0300087000 through 0300169422) | D |
| | 0270805 | Ref | STROBE LIGHT INSTALLATION (AMBER) (OPTIONAL) (CHINA BUILT MACHINES) (SN B300000100 through B300000969) | D |
| | | Ref | Note: If machines is equipped with BLUE Strobe Light, see SPECIAL OPTIONS SECTION SkyGuard Kit. | |
| 311 | | Ref | Adapter Options: | |
| 311 | 0630491 | 1 | Adapter used with ECCO Model 6640 | |
| 311 | 0080241 | 1 | Adapter used with ECCO Model 6650 | |
| 314 | 0100011 | AR | Compound, Locking | |
| 314 | 0100048 | AR | Sealant, Silicone | |
| 315 | 4240032 | 1 | Wire-Tile | |
| 316 | 0272507 | 1 | Strobe Light/Guard/Harness Assembly (Includes Items 311 & 316A) | |
| 316 | | Ref | Bulb, Replacement Options: | |
| 316 | 7016380 | 1 | Bulb for ECCO Model 6640 | |
| 316 | 70001941 | 1 | Bulb for ECCO Model 6650 | |
| 316A | | Ref | Guard Options: | |
| 316A | 4060907 | 1 | Guard used with ECCO Model 6640 | |
| 316A | 2920215 | 1 | Guard used with ECCO Model 6650 | |
| 317 | 4460234 | 1 | Clamp | |
| | 1001149955 | Ref | STROBE LIGHT INSTALLATION (AMBER) (OPTIONAL) (USA BUILT MACHINES) (SN 0300169423 through 0300171769) | B |
| | 1001150406 | Ref | STROBE LIGHT INSTALLATION (AMBER) | A |
| | | Ref | Note: If machines is equipped with BLUE Strobe Light, see SPECIAL OPTIONS SECTION SkyGuard Kit. | |
| 318 | 0100035 | AR | Compound, Locking | |
| 319 | 2920161 | 1 | Strobe Light/Harness Assembly | |
| 319 | 7016319 | 1 | Bulb | |
| 319 | 7016372 | 1 | Lens | |
| 320 | 3312602 | 1 | Nut, Jam 1in-8NC | |
| 321 | 3900085 | 2 | Screw #10-32 x 1/2in | |
| 322 | 4751000 | 2 | Flatwasher 1/4in Thin | |
| 323 | 1001149994 | 1 | Mount Strobe | |
| 324 | 1001149818 | 1 | Harness, Strobe Light (Not Shown - See ELECTRICAL SECTION for Breakdown) | |
| | 0271552 | Ref | LIGHTS INSTALLATIONS (OPTIONAL) | C |
| 325 | 2920110 | 2 | Headlight | |
| 326 | 0902206 | 2 | Bracket, Mounting | |
| 327 | 0642612 | 1 | Bolt 1in-8NC x 1-1/2in | |
| 328 | 4220162 | 2 | Spacer | |
| 329 | 0100011 | AR | Compound, Locking | |
| 330 | 2920113 | 2 | Taillight | |
| 331 | 3911040 | 4 | Screw, Machine #10-24NC x 2-1/2in | |

SECTION 2 - TURNTABLE

| ITEM | PART NUMBER | QTY | DESCRIPTION | REV |
|------|-------------|-----|--|-----|
| 332 | 3311005 | 4 | Nut #10-24NC | |
| 333 | 4751000 | 4 | Flatwasher #10 Regular | |
| 334 | 4740362 | 4 | Washer, Fender | |
| 335 | 3960461 | 2 | Gasket | |
| 337 | 4240032 | AR | Tie-Strap (Not Shown) | |
| 338 | 4460234 | AR | Mount, Tie-Strap (Not Shown) | |
| 339 | | Ref | Switch Options (Not Shown - Located on Console): | |
| 339 | 4360336 | 1 | Toggle Switch | |
| 339 | 4360522 | 1 | Push Button Switch | |
| 340 | 3790012 | 1 | O-Ring (Not Shown - Located on Console) (Use with #339 Toggle Switch) | |
| 341 | 3820001 | 11 | Rivet, Pop (Not Shown) (USA Built Machines) (SN 0300087000 through 0300136518) | |
| 342 | 1705170 | 1 | Decal - Lights (Not Shown - Located on Console) (USA Built Machines) (SN 0300136519 through 0300171769) | |
| 342 | 1705170 | 1 | Decal - Lights (Not Shown - Located on Console) (China Built Machines) (SN B300000100 through B300000969) | |
| | 0274210 | Ref | CHASSIS ILLUMINATION LIGHT INSTALLATION | B |
| 401 | 2920157 | 4 | Lamp, Worklight | |
| 402 | 4740546 | 4 | Washer, Rubber | |
| 403 | 0100011 | AR | Compound, Locking | |
| 404 | 0642612 | 2 | Bolt 1in-8NC x 1-1/2in | |
| 405 | 0902206 | 2 | Bracket, Light Mounting | |
| 406 | 4220162 | 2 | Spacer | |
| 408 | 3790012 | 1 | O-Ring (Not Shown - Located at Platform Console Box) (SN 0300087000 through 0300136519) | |
| 409 | | Ref | Switch Options (Not Shown - Located on Console): | |
| 409 | 4360336 | 1 | Toggle Switch | |
| 409 | 4360522 | 1 | Push Button Switch | |
| 410 | 4240032 | AR | Strap, Tie (Not Shown) | |
| 411 | 4460234 | AR | Mount, Cable (Not Shown) | |
| 412 | 3820001 | 11 | Rivet, Pop (Not Shown) (USA Built Machines) (SN 0300087000 through 0300136518) | |
| 413 | 1705170 | 1 | Decal - Lights (Not Shown - Located on Console) (USA Built Machines) (SN 0300136519 through 0300171769) | |
| 413 | 1705170 | 1 | Decal - Lights (Not Shown - Located on Console) (China Built Machines) (SN B300000100 through B300000969) | |

SECTION 2 - TURNTABLE

FIGURE 2-22. ENGINE TRAY JACK INSTALLATION (OPTIONAL)



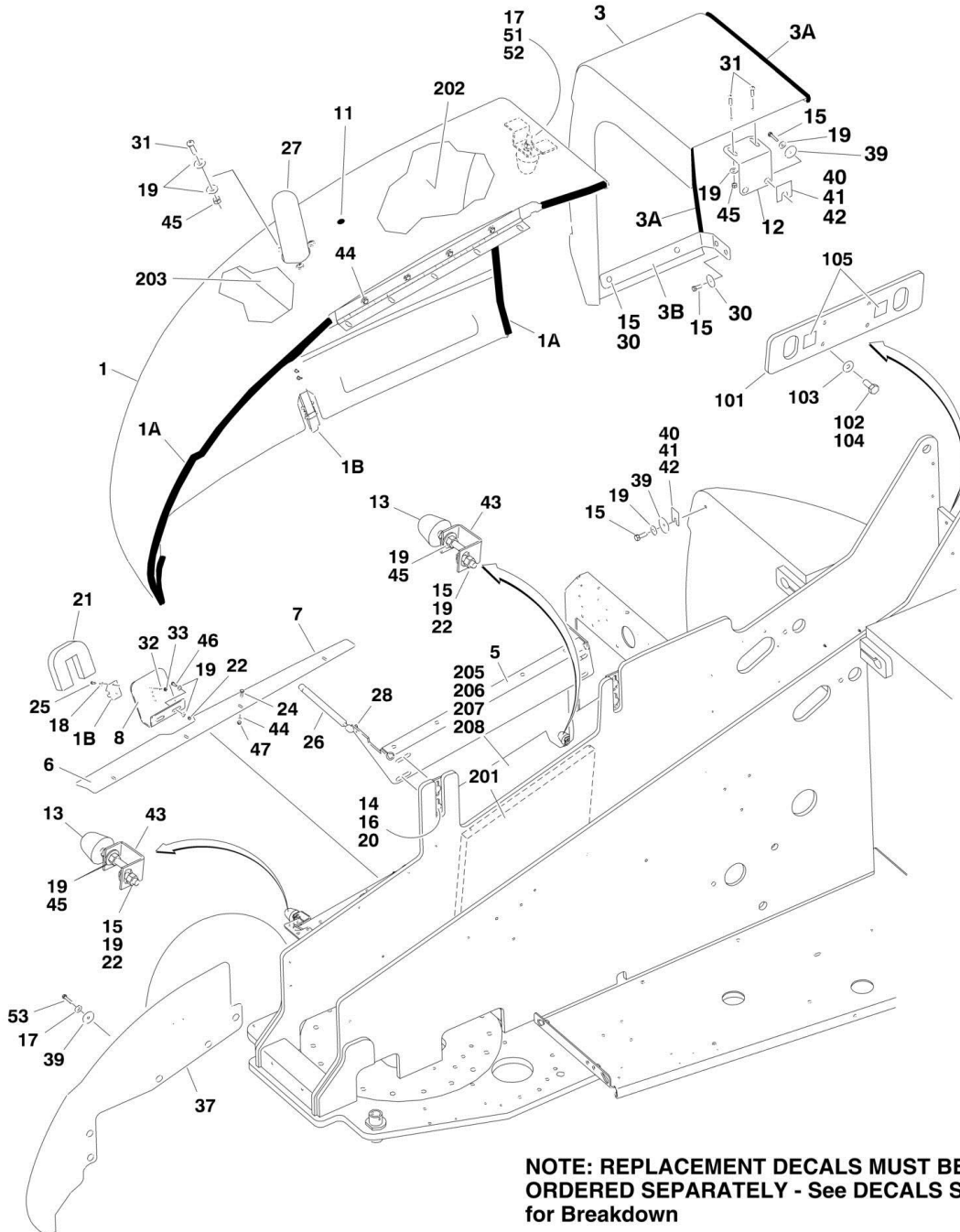
SECTION 2 - TURNTABLE

FIGURE 2-22. ENGINE TRAY JACK INSTALLATION (OPTIONAL)

| ITEM | PART NUMBER | QTY | DESCRIPTION | REV |
|------|-------------|-----|---------------------------------------|-----|
| | 0255881 | Ref | ENGINE TRAY JACK INSTALLATION | 3-G |
| 1 | 3537445 | 1 | Bracket | |
| 2 | 3537446 | 2 | Bracket | |
| 3 | 2840016 | 1 | Hydraulic Jack Assembly Options: | F |
| 3A | 2840016 | 1 | Burr Manufacturing Brand | |
| 3B | 2840016 | 1 | Hammerblow Corp and Cequent Brands | |
| 3C | | Ref | Handle Options: | |
| 3C | 7016374 | 1 | Burr Manufacturing Brand | |
| 3C | 7024598 | 1 | Hammerblow Corp and Cequent Brands | |
| 3D | 7016322 | 1 | Wiper (Burr Manufacturing Brand Only) | |
| 4 | 0962051 | 2 | Bushing, Flanged | |
| 5 | 3430816 | 1 | Pin, Clevis | |
| 6 | 4891800 | 1 | Flatwasher 1/2in Hardened | |
| 7 | 4711800 | 6 | Flatwasher 1/2in Thin | |
| 8 | 3450404 | 1 | Pin, Cotter 1/8in x 1in | |
| 9 | 0641609 | 4 | Bolt 3/8in-16NC x 1-1/8in | |
| 10 | 3311605 | 4 | Locknut 3/8in-16NC | |
| 11 | 4891600 | 4 | Flatwasher 3/8in Hardened | |
| 12 | 0641818 | 4 | Bolt 1/2in-13NC x 2-1/4in | |
| 13 | 3311805 | 4 | Locknut 1/2in-13NC | |
| 15 | 1380147 | 1 | Clip, Spring | |
| 22 | 3910608 | 2 | Screw #6-32NC x 1in | |
| 23 | 3310601 | 2 | Nut #6-32NC | |
| 24 | 4770600 | 2 | Starwasher #6 | |

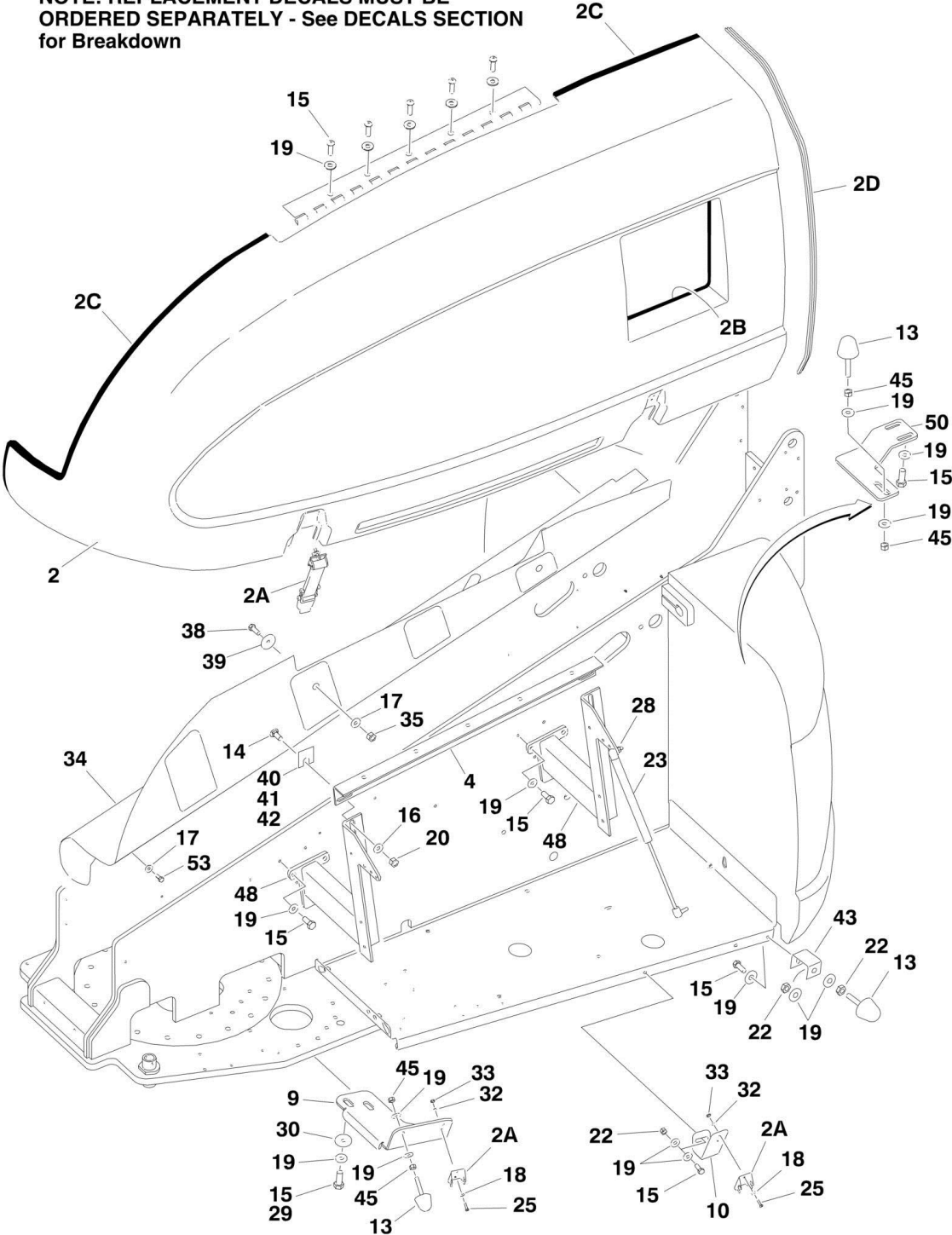
SECTION 2 - TURNTABLE

FIGURE 2-23. HOODS (ABS) AND LIFTING PLATE INSTALLATIONS (USA BUILT MACHINES) (SN 0300087000 through 0300089988)



SECTION 2 - TURNTABLE

NOTE: REPLACEMENT DECALS MUST BE ORDERED SEPARATELY - See DECALS SECTION for Breakdown



SECTION 2 - TURNTABLE

FIGURE 2-23. HOODS (ABS) AND LIFTING PLATE INSTALLATIONS (USA BUILT MACHINES) (SN 0300087000 through 0300089987)

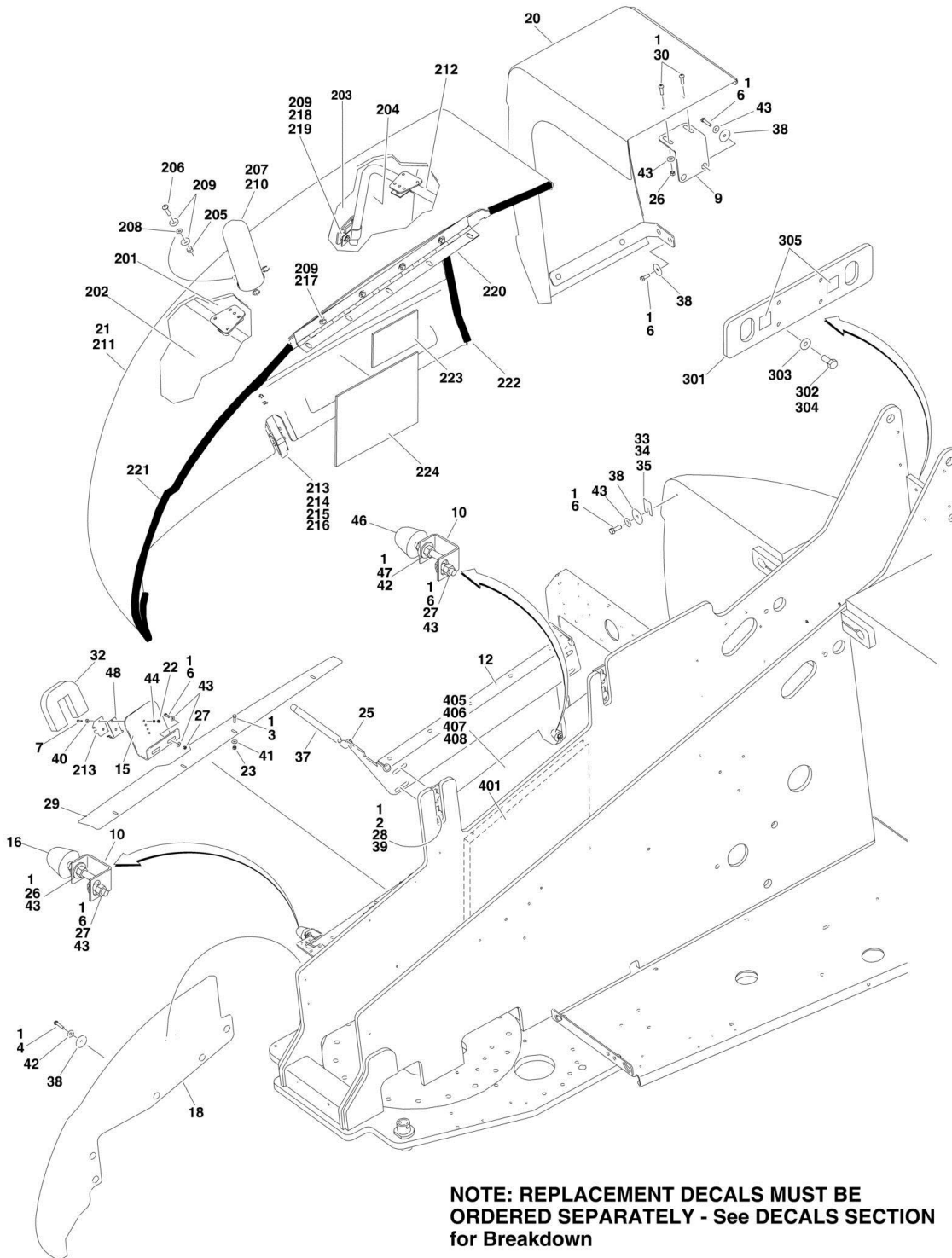
| ITEM | PART NUMBER | QTY | DESCRIPTION | REV |
|------|--------------------|-----------------|--|------|
| | | Ref | NOTE: Steel Hood Replacement Kits are available for machines built with Deutz engines (Purchase p/n 1001126286) and Caterpillar/GM engines (Purchase p/n 1001126287). No kits are available for machines built with Ford Engines. | |
| 1 | 0256830 2680449 | Ref 1 | HOODS INSTALLATIONS Hood Assembly - Engine Side | 11-J |
| | | Ref | Note: Replacement Decals must be Purchased Separately - See DECALS SECTION. | |
| 1 | 2600209 | | Hinge | |
| 1A | 3960464 | 65 in /1.67m | Seal | |
| 1A | 3960462 | 61 in /1.55m | Seal | |
| 1B | 2940088 | 1 | Latch | |
| 2 | 2680448 | 1 | Hood Assembly - Tank Side | |
| | | Ref | Note: Replacement Decals must be Purchased Separately - See DECALS SECTION. | |
| 2 | 2600233 | | Hinge | |
| 2A | 2940088 | 2 | Latch | |
| 2B | 3960438 | 53 in /1.35m | Seal | |
| 2C | 3960464 | 83 in /2.11m | Seal | |
| 2D | 3960462 | 55 in/1.4m | Seal | |
| 3 | 2680450 | 1 | Hood Assembly- Engine Spacer | |
| | | Ref | Note: Replacement Decals must be Purchased Separately - See DECALS SECTION. | |
| 3A | 3960453 | 68 in /1.73m | Seal | |
| 3B | 7023366 | 1 | Bracket | |
| 4 | 0902416 | 1 | Bracket, Hood Mounting | |
| 5 | 0902351 | 1 | Bracket, Hood Mounting | |
| 6 | 3539934 | 1 | Plate, Seal | |
| 7 | 3960389 | 3.5 ft/1m | Seal | |
| 8 | 0902491 | 1 | Bracket, Latch | |
| 9 | 0902223 | 1 | Bracket, Latch | |
| 10 | 0902143 | 1 | Bracket, Latch | |
| 11 | 3520033 | 2 | Plug, Hole | |
| 12 | 0902161 | 1 | Bracket, Hood Spacer Mounting | |
| 13 | 0940071 | 5 | Bumper | |
| 14 | 0630507 | 6 | Bolt, Carriage 1/2in-13NC x 1-1/4in | |
| 15 | 0641608 | AR | Bolt 3/8in-16NC x 1in | |
| 16 | 4740171 | 6 | Flatwasher, Hardened | |
| 17 | 4751500 | 9 | Flatwasher 5/16in Regular | |
| 18 | 4751000 | 12 | Flatwasher #10 Regular | |
| 19 | 4751600 | AR | Flatwasher 3/8in Regular | |
| 20 | 3311805 | 6 | Locknut 1/2in-13NC | |
| 21 | 3960470 | 1 | Seal | |
| 22 | 3311605 | 5 | Locknut 3/8in-16NC | |
| 23 | 4160139 | 2 | Spring, Gas (Tank Side) | |
| 24 | 0641406 | 4 | Bolt 1/4in-20NC x 3/4in | |

SECTION 2 - TURNTABLE

| ITEM | PART NUMBER | QTY | DESCRIPTION | REV |
|------|-------------|-----|---|-----|
| 25 | 0721006 | 6 | Screw #10-24NC x 3/4in | |
| 26 | 4160143 | 2 | Spring, Gas (Engine Side) | |
| 27 | 4845411 | 1 | Outlet, Exhaust | |
| 28 | 3311505 | 4 | Locknut 5/16in-18NC | |
| 29 | 0100011 | AR | Compound, Locking | |
| 30 | 4740076 | 4 | Washer, Fender | |
| 31 | 3900232 | 5 | Screw, Button Head 3/8in-16NC x 1-1/4in | |
| 32 | 4761000 | 6 | Lockwasher #10 | |
| 33 | 3311001 | 6 | Nut #10-24NC | |
| 34 | 1670771 | 1 | Cover | |
| 35 | 3311501 | AR | Nut 5/16in-18NC | |
| 36 | 0641512 | 2 | Bolt 5/16in-18NC x 1-1/2in | |
| 37 | 1670779 | 1 | Cover, Side | |
| 38 | 0641506 | AR | Bolt 5/16in-18NC x 3/4in | |
| 39 | 4740076 | AR | Washer, Fender | |
| 40 | 4070410 | AR | Shim 1/16in | |
| 41 | 4070411 | AR | Shim 1/8in | |
| 42 | 4070412 | AR | Shim 3/16in | |
| 43 | 0902219 | 2 | Bracket, Bumper | |
| 44 | 4751400 | 4 | Flatwasher 1/4in Regular | |
| 45 | 3311601 | AR | Nut 3/8in-16NC | |
| 46 | 0641609 | 2 | Bolt 3/8in-16NC x 1-1/8in | |
| 47 | 3311405 | 4 | Locknut 1/4in-20NC | |
| 48 | 4845356 | 2 | Hood Mount Weldment | |
| 50 | 0902384 | 1 | Bracket, Hood Mount | |
| 51 | 0940088 | 1 | Hood, Bumper | |
| 52 | 3321501 | 2 | Nut 5/16in-24NF | |
| 53 | 0641506 | 10 | Bolt 5/16in-18NC x 3/4in | |
| | 0256122 | Ref | LIFTING PLATE INSTALLATION | 1-B |
| 101 | 3539590 | 1 | Plate, Lifting | |
| 102 | 0682014 | 4 | Bolt 5/8in-11NC x 1-3/4in (Grade 8) | |
| 103 | 4892000 | 4 | Flatwasher 5/8in Hardened | |
| 104 | 0100019 | AR | Compound, Locking | |
| 105 | 1701500 | 2 | Decal - Tie Down/Lift | |
| | 0256823 | Ref | NOISE REDUCTION INSTALLATION (DIESEL MACHINES) | 2 |
| 201 | 2820078 | 1 | Foam, Acoustical | |
| 202 | 2820079 | 1 | Foam, Acoustical | |
| 203 | 2820119 | 1 | Foam, Acoustical | |
| 205 | 3539955 | 1 | Plate, Baffle | |
| 206 | 0641506 | 2 | Bolt 5/16in-18NC x 3/4in | |
| 207 | 4751500 | 2 | Flatwasher 5/16in Regular | |
| 208 | 0100011 | AR | Compound, Locking | |

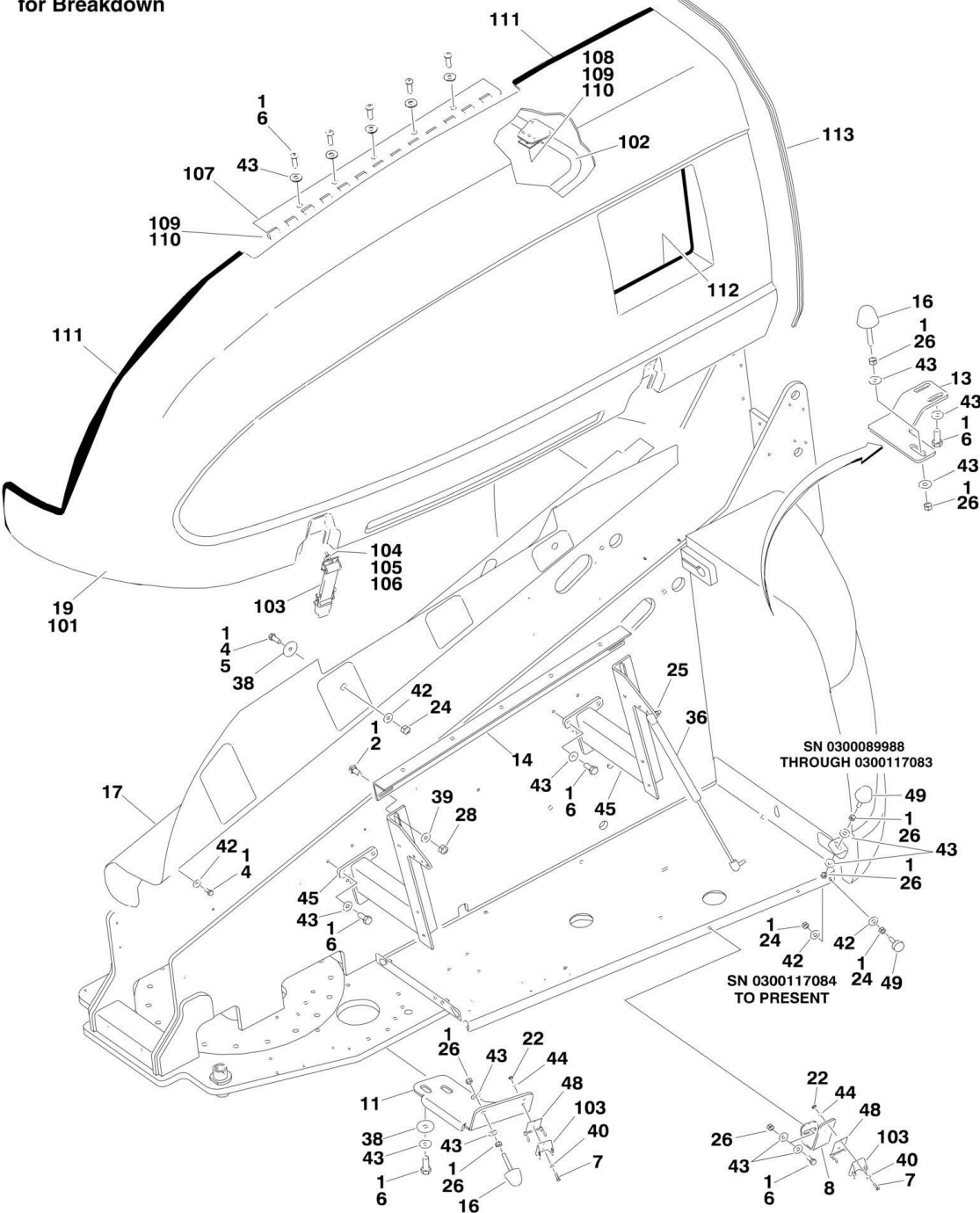
SECTION 2 - TURNTABLE

FIGURE 2-24. HOODS (ABS) AND LIFTING PLATE INSTALLATIONS (USA BUILT MACHINES) (SN 0300089988 through 0300171769)



SECTION 2 - TURNTABLE

NOTE: REPLACEMENT DECALS MUST BE ORDERED SEPARATELY - See DECALS SECTION for Breakdown



SECTION 2 - TURNTABLE

FIGURE 2-24. HOODS (ABS) AND LIFTING PLATE INSTALLATIONS (USA BUILT MACHINES) (SN 0300089988 through 0300171769)

| ITEM | PART NUMBER | QTY | DESCRIPTION | REV |
|------|-------------|-----------------|--|-----|
| | | Ref | Note: Only Available on USA Built Machines. | |
| | | Ref | Note: Steel Hood Replacement Kits are available for machines built with Deutz engines (Purchase p/n 1001126286) and Caterpillar/GM engines (Purchase p/n 1001126287). No kits are available for machines built with Ford Engines. | |
| | | Ref | HOODS INSTALLATIONS | |
| | 0274751 | Ref | Caterpillar and Deutz Engines | H |
| | 0274755 | Ref | Ford Engines | C |
| | 0275285 | Ref | GM Engines | G |
| 1 | 0100011 | AR | Compound, Locking | |
| 2 | 0630507 | 6 | Bolt, Carriage 1/2in-13NC x 1-1/4in | |
| 3 | 0641406 | 4 | Bolt 1/4in-20NC x 3/4in | |
| 4 | 0641506 | AR | Bolt 5/16in-18NC x 3/4in | |
| 5 | 0641512 | 2 | Bolt 5/16in-18NC x 1-1/2in (SN 0300089988 through 0300051120) | |
| 6 | 0641608 | AR | Bolt 3/8in-16NC x 1in | |
| 7 | 0721006 | 6 | Bolt #10-24NC x 3/4in | |
| 8 | 0902143 | 1 | Bracket | |
| 9 | 0902161 | 1 | Bracket, Hood Spacer | |
| 10 | 0902219 | 2 | Bracket, Bumper | |
| 11 | 0902223 | 1 | Bracket, Latch | |
| 12 | 0902351 | 1 | Bracket, Hood Mount | |
| 13 | | Ref | Bracket, Hood Mount Options: | |
| 13 | 0902384 | 1 | Caterpillar and Deutz Engines (SN 0300089988 through 0300138402) | |
| 13 | 0902384 | 1 | Ford and GM Engines | |
| 14 | 0902416 | 1 | Bracket, Hood Mount | |
| 15 | 0902491 | 1 | Bracket, Hood Latch | |
| 16 | 0940071 | AR | Bumper | |
| 17 | 1670771 | 1 | Cover | |
| 18 | 1670779 | 1 | Cover, Engine/Turntable | |
| 19 | 1671228 | 1 | Hood Assembly - Tank Side (See Items 101-113 For Breakdown) | |
| 20 | 1671233 | 1 | Hood, Engine Spacer | |
| 21 | | Ref | Hood Assembly - Engine Side Options (See Items 201-224 For Breakdown) | |
| 21 | 1671247 | 1 | Caterpillar and Deutz Engines | |
| 21 | 1671227 | 1 | Ford Engines | |
| 21 | 1671312 | 1 | GM Engines | |
| 22 | 3311001 | 6 | Nut #10-24NC | |
| 23 | 3311405 | 4 | Locknut 1/4in-20NC | |
| 24 | 3311501 | AR | Nut 5/16in-18NC | |
| 25 | 3311505 | 3 | Locknut 5/16in-18NC | |
| 26 | 3311601 | AR | Nut 3/8in-16NC | |
| 27 | 3311605 | 5 | Locknut 3/8in-16NC | |
| 28 | 3311805 | 6 | Locknut 1/2in-13NC | |
| 29 | 3571712 | 1 | Plate, Seal | |
| 30 | 3900232 | 2 | Screw, Button Head 3/8in-16NC x 1-1/4in | |
| 31 | 3960389 | 3.5 ft /1.1m | Seal | |
| 32 | 3960470 | 1 | Seal | |

SECTION 2 - TURNTABLE

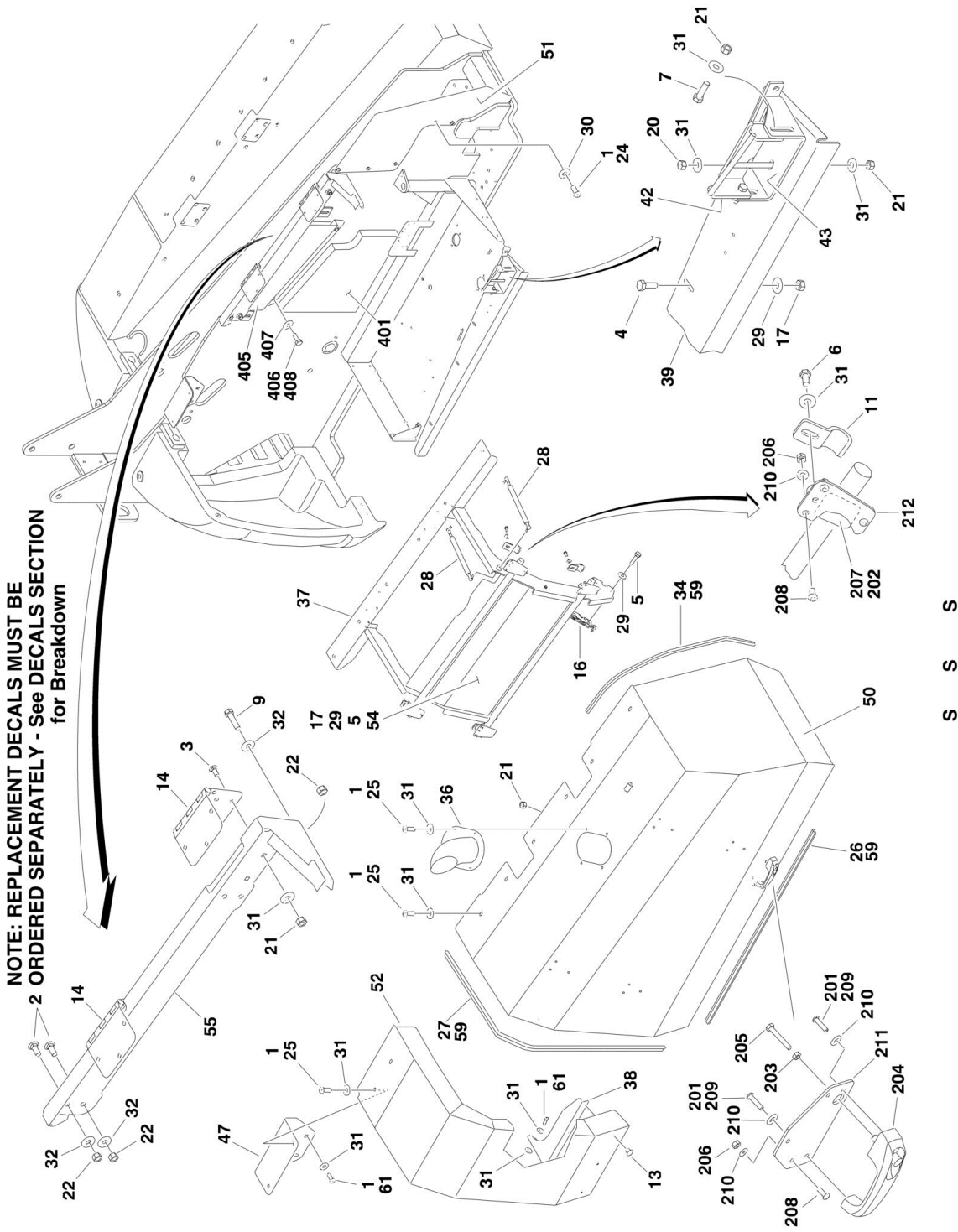
| ITEM | PART NUMBER | QTY | DESCRIPTION | REV |
|------|-------------|-----------------|--|-----|
| 33 | 4070410 | AR | Shim 1/16in | |
| 34 | 4070411 | AR | Shim 1/8in | |
| 35 | 4070412 | AR | Shim 3/16in | |
| 36 | 4160139 | 2 | Spring, Gas (Tank Side) | |
| 37 | 4160143 | 1 | Spring, Gas (Engine Side) | |
| 38 | 4740076 | AR | Washer, Fender | |
| 39 | 4740171 | 6 | Flatwasher, Hardened | |
| 40 | 4751000 | 6 | Flatwasher #10 Regular | |
| 41 | 4751400 | 4 | Flatwasher 1/4in Regular | |
| 42 | 4751500 | AR | Flatwasher 5/16in Regular | |
| 43 | 4751600 | AR | Flatwasher 3/8in Regular | |
| 44 | 4761000 | 6 | Lockwasher #10 | |
| 45 | 4845356 | 2 | Hood Mount Weldment | |
| 46 | 0940088 | 1 | Bumper | |
| 47 | 3321501 | 2 | Nut 5/16in-24NF (SN 030091753 through 0300171769) | |
| 48 | 2940188 | 3 | Latch, Spring Clip (SN 030099060 through 0300171769) | |
| 49 | | Ref | Hardware Options: | |
| 49 | 0940071 | 1 | Bumper (SN 0300089988 through 0300117083) | |
| 49 | 0940049 | 1 | Stopper, Hood (SN 0300117084 through 0300171769) | |
| | 1671228 | Ref | HOOD ASSEMBLY - TANK SIDE | A |
| 101 | 1671231 | 1 | Shell, Tank Side | |
| 102 | 1671232 | 1 | Frame, Tank Side | |
| 103 | 2940088 | 2 | Latch | |
| 104 | 0721008 | 4 | Bolt #10-24NC x 1in | |
| 105 | 4751000 | 4 | Flatwasher #10 Regular | |
| 106 | 3311001 | 4 | Nut #10-24NC | |
| 107 | 2600233 | 1 | Hinge | |
| 108 | 1321384 | 4 | Hold Down | |
| 109 | 0641606 | 9 | Bolt 3/8in-16NC x 3/4in | |
| 110 | 4751600 | 9 | Flatwasher 3/8in Regular | |
| 111 | 3960464 | 7 ft/2.1m | Seal | |
| 112 | 3960438 | 5 ft/1.5m | Seal | |
| 113 | 3960462 | 4.5 ft /1.4m | Seal | |
| | | Ref | HOOD ASSEMBLY - ENGINE SIDE | |
| | 1671247 | Ref | Caterpillar and Deutz Engines | D |
| | 1671227 | Ref | Ford Engines | B |
| | 1671312 | Ref | GM Engines | H |
| 201 | | Ref | Foam, Acoustical Options: | |
| 201 | 2820080 | 1 | Caterpillar and Deutz Engines (SN 0300089988 through 0300124420) | |
| 201 | 1001101391 | 1 | Caterpillar and Deutz Engines (SN 0300124421 through 0300171769) | |
| 201 | 1001101323 | 1 | GM Engines (SN 0300124421 through 0300171769) | |
| 202 | | Ref | Insulation, Rear Options: | |
| 202 | 2820233 | 1 | Caterpillar and Deutz Engines | |
| 202 | 1001101324 | 1 | GM Engines (SN 0300136961 through 0300171769) | |
| 203 | 2820234 | 1 | Insulation, Center (Caterpillar and Deutz Engines Only) | |
| 204 | 2820235 | 1 | Insulation, Rear (Caterpillar and Deutz Engines Only) | |
| 205 | 3311605 | 3 | Locknut 3/8in-16NC | |
| 206 | 3900232 | 3 | Screw, Button Head 3/8in-16NC x 1-1/4in | |
| 207 | | Ref | Gasket, Heat Options: | |

SECTION 2 - TURNTABLE

| ITEM | PART NUMBER | QTY | DESCRIPTION | REV |
|------|-------------|-----------------|--|-----|
| 207 | 4061010 | 1 | Caterpillar and Deutz Engine (SN 0300089988 through 0300124420) | |
| 207 | 1001101392 | 1 | Caterpillar and Deutz Engine (SN 0300124421 through 0300171769) | |
| 207 | 4061010 | 1 | Ford and GM Engine Machines (SN 0300089988 through 0300124421) | |
| 208 | 4740500 | 3 | Washer, Special | |
| 209 | 4751600 | AR | Flatwasher 3/8in Regular | |
| 210 | | Ref | Exhaust Stack Options: | |
| 210 | 4845411 | 1 | Caterpillar and Deutz Engines | |
| 210 | 3460399 | 1 | Ford Engines | |
| 210 | 3460552 | 1 | GM Engines | |
| 211 | 1671229 | NLA | Shell, Engines Side (Note: Use Item 21) | |
| 212 | 1671230 | 1 | Frame, Engine Side | |
| 213 | 2940088 | 1 | Latch | |
| 214 | 0721008 | 2 | Bolt #10-24NC x 1in | |
| 215 | 4751000 | 2 | Flatwasher #10 Regular | |
| 216 | 3311001 | 2 | Nut #10-24NC | |
| 217 | 0641608 | AR | Bolt 3/8in-16NC x 1in | |
| 218 | 1321384 | 4 | Hold Down | |
| 219 | 0641606 | 4 | Bolt 3/8in-16NC x 3/4in | |
| 220 | 2600209 | 1 | Hinge | |
| 221 | 3960464 | 5.5 ft /1.7m | Seal | |
| 222 | 3960462 | 5.1 ft /1.6m | Seal | |
| 223 | 2820176 | NLA | Insulation, Heat Options (Ford and GM Engines) (Use p/n 1001101323) (SN 0300092152 through 0300134794) | |
| 224 | 2820153 | 1 | Insulation, Heat Shield (GM Engines Only) (SN 0300089988 through 0300134794) | |
| 250 | | Ref | Hood Kit (Engine Side) Options (Not Shown): | |
| | | Ref | Note: Replacement Decals must be Purchased Separately - See DECALS SECTION. | |
| 250 | 1001097961 | 1 | Caterpillar and Deutz Engine Machines (Includes Items 201-204, 207, 208 & 211) | B |
| 250 | 1001097960 | 1 | GM Engine Machines (Includes Items 207, 202, 208 & 211) | B |
| | 0256122 | Ref | LIFTING PLATE INSTALLATION | 1-B |
| 301 | 3539590 | 1 | Plate, Lifting | |
| 302 | 0682014 | 4 | Bolt 5/8in-11NC x 1-3/4in Grade 8 | |
| 303 | 4892000 | 4 | Flatwasher 5/8in Hardened | |
| 304 | 0100019 | AR | Compound, Locking | |
| 305 | 1701500 | 2 | Decal - Tie Down/Lift | |
| | 0256823 | Ref | NOISE REDUCTION INSTALLATION (DIESEL MACHINES) | 3 |
| 401 | 2820078 | 1 | Foam, Acoustical | |
| 405 | 3539955 | 1 | Plate, Baffle | |
| 406 | 0641506 | 2 | Bolt 5/16in-18NC x 3/4in | |
| 407 | 4751500 | 2 | Flatwasher 5/16in Regular | |
| 408 | 0100011 | AR | Compound, Locking | |

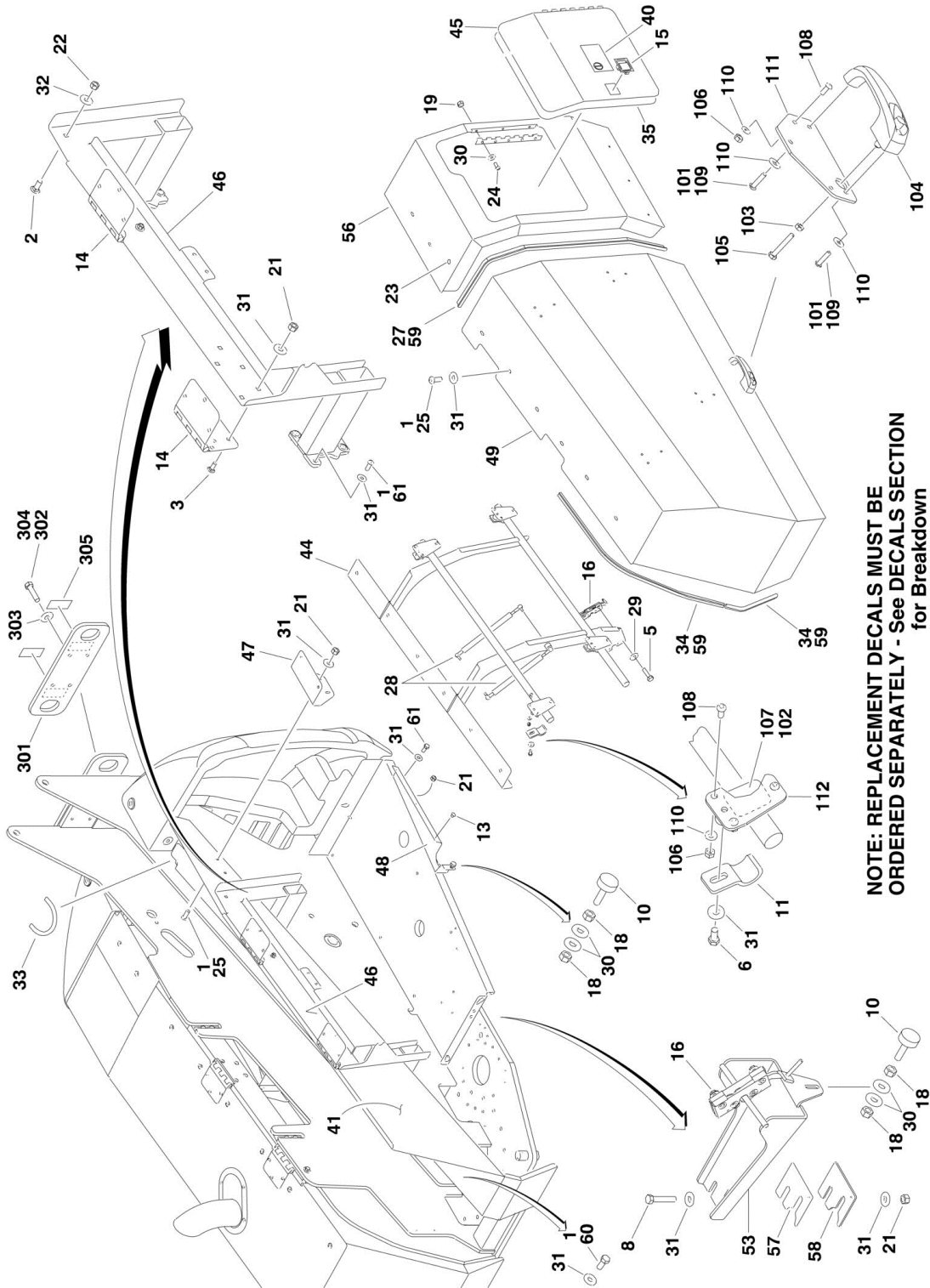
SECTION 2 - TURNTABLE

FIGURE 2-25. HOODS (STEEL) AND LIFTING PLATE INSTALLATIONS



S S S

SECTION 2 - TURNTABLE



NOTE: REPLACEMENT DECALS MUST BE ORDERED SEPARATELY - See DECALS SECTION for Breakdown

SECTION 2 - TURNTABLE

FIGURE 2-25. HOODS (STEEL) AND LIFTING PLATE INSTALLATIONS

| ITEM | PART NUMBER | QTY | DESCRIPTION | REV |
|------|-------------|-----------------|---|-----|
| | | Ref | HOODS INSTALLATIONS | |
| | 1001118718 | Ref | Caterpillar Engines | D |
| | 1001117429 | Ref | GM Engines | E |
| | 1001117429 | Ref | Deutz Engines (SN 0300087000 through 0300166770) | E |
| | 1001148678 | Ref | Deutz Engines (SN 0300166771 through 0300171769) | C |
| 1 | 0100011 | AR | Compound, Locking | |
| 2 | 0630507 | 4 | Bolt, Carriage 1/2in-13NC x 1-1/4in | |
| 3 | 0630485 | 19 | Bolt, Carriage | |
| 4 | 0641406 | 4 | Bolt 1/4in-20NC x 3/4in | |
| 5 | 0641408 | AR | Bolt 1/4in-20NC x 1in | |
| 6 | 0641607 | 8 | Bolt 3/8in-16NC x 7/8in | |
| 7 | 0641610 | 2 | Bolt 3/8in-16NC x 1-1/4in | |
| 7 | 0641611 | 2 | Bolt 3/8in-16NC x 1-3/8in | |
| 8 | 0641616 | 2 | Bolt 3/8in-16NC x 2in | |
| 9 | 0641818 | 1 | Bolt 1/2in-13NC x 2-1/4in | |
| 10 | 0940049 | 2 | Stopper, Hood | |
| 11 | 1321384 | 8 | Clamp, Hood | |
| 12 | 1701505 | 1 | Decal - Diesel Fuel (SN 0300087000 through 0300143696) | |
| 13 | 2080040 | 6 | Fastener, Huck | |
| 14 | 2600280 | 4 | Hinge, Offset | |
| 15 | 2940045 | 1 | Latch, Paddle | |
| 16 | 2940173 | 2 | Latch, Rotary | |
| 17 | 3311405 | AR | Locknut 1/4in-20NC | |
| 18 | 3311501 | 4 | Nut 5/16in-18NC | |
| 19 | 3300364 | 3 | Nut, Tinnerman 5/16in-18NC | |
| 20 | 3311601 | 1 | Nut 3/8in-16NC | |
| 21 | 3311605 | 46 | Locknut 3/8in-16NC | |
| 22 | 3311805 | 5 | Locknut 1/2in-13NC | |
| 23 | 3520030 | 1 | Plug, Hole | |
| 24 | 3900210 | 8 | Screw, Button Head 5/16in-18 x 3/4in | |
| 25 | 3900316 | 34 | Screw, Button Head 3/8in-16NC x 1in | |
| 26 | 3960389 | 50 in/1.3m | Seal | |
| 27 | 3960462 | 9.5 ft /2.9m | Seal | |
| 28 | 4160194 | 4 | Spring, Gas | |
| 29 | 4751400 | AR | Flatwasher 1/4in Regular | |
| 30 | 4751500 | 17 | Flatwasher 5/16in Regular | |
| 31 | 4751600 | 89 | Flatwasher 3/8in Regular | |
| 32 | 4740171 | 6 | Flatwasher 1/2in Hardened | |
| 33 | 90206194 | 10 in /24cm | Trim-Lok | |
| 34 | 1001110166 | 8 ft/2.5m | Seal | |
| 35 | 1001113047 | 77 in/2m | Seal | |
| 36 | 1001116456 | NLA | Pipe, Exhaust (Use p/n 1001116457) | |
| 37 | 1001116562 | 1 | Support | |
| 38 | 1001117234 | 1 | Bracket, Hood | |
| 39 | 1001117249 | 1 | Plate, Seal | |
| 40 | 1001117307 | 1 | Decal - Emergency Stop | |
| 41 | 1001117430 | 1 | Trough, Powertrack | |
| 42 | 1001117523 | 1 | Bracket, Striker Plate | |

SECTION 2 - TURNTABLE

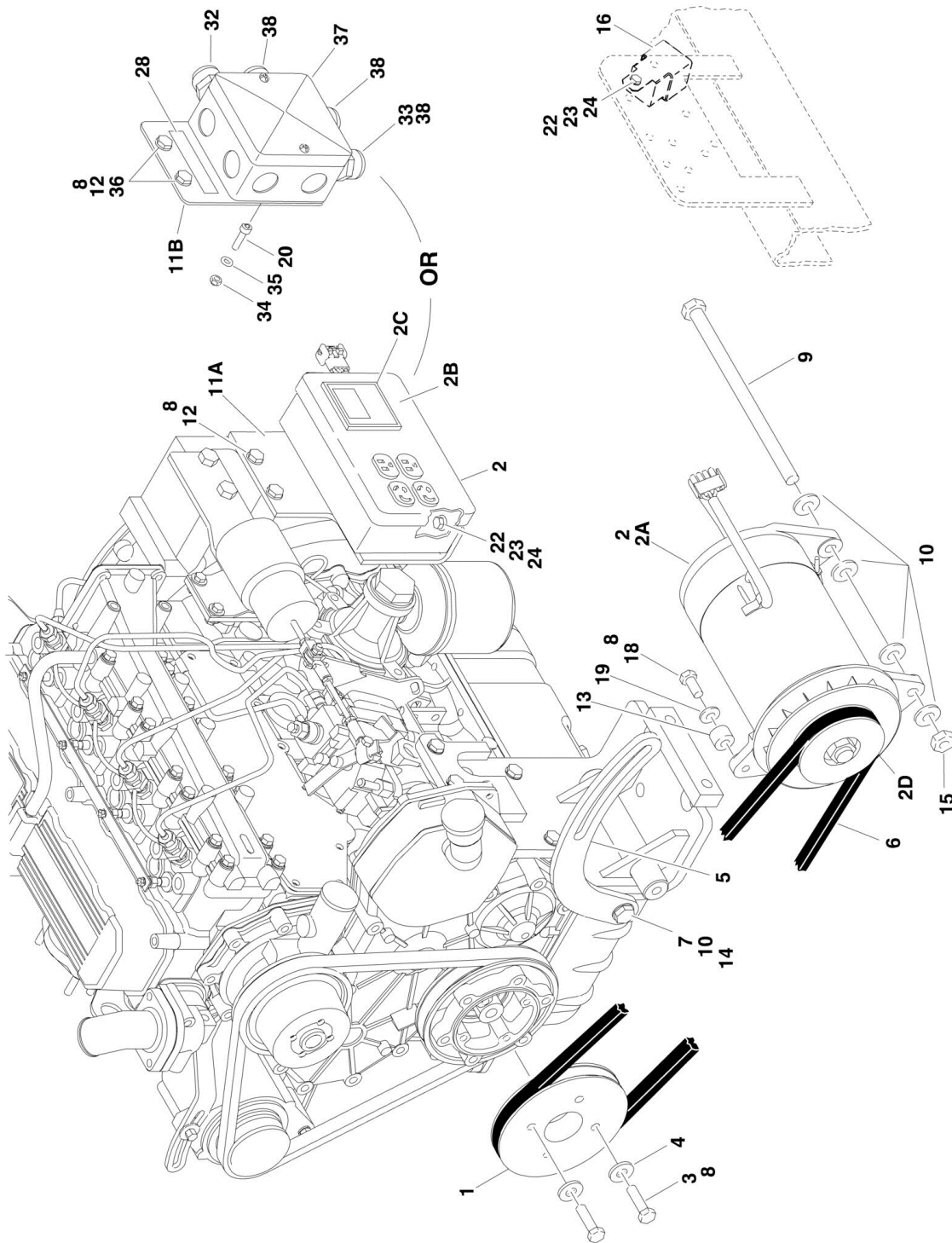
| ITEM | PART NUMBER | QTY | DESCRIPTION | REV |
|------|--------------|-----|--|-----|
| 43 | 1001117525 | 1 | Bracket, Striker Plate | |
| 44 | 1001117543 | 1 | Support | |
| 45 | 1001117598 | 1 | Door | |
| 46 | 1001117612 | 1 | Mount, Hood | |
| 47 | 1001118264 | 2 | Bracket, Hood Mounting | |
| 48 | 1001118550 | 1 | Bracket, Hood Support | |
| 49 | 1001118715 | 1 | Hood Assembly - Tank Side (See Items 101-112 for Breakdown) | |
| | | Ref | Note: Replacement Decals must be Purchased Separately - See DECALS SECTION. | |
| 50 | 1001118716 | 1 | Hood Assembly - Engine Side (See Items 201-212 for Breakdown) | |
| | | Ref | Note: Customer must transfer Item 54 Heat Shield to Hood Assembly before putting machine back in service. | |
| | | Ref | Note: Replacement Decals must be Purchased Separately - See DECALS SECTION. | |
| 51 | 1001118735 | 1 | Plate, Filler | |
| 52 | 1001119283 | 1 | Hood, Fixed Engine Side | |
| | | Ref | Note: Replacement Decals must be Purchased Separately - See DECALS SECTION. | |
| 53 | 1001125097 | 1 | Bracket, Striker | |
| 54 | | Ref | Shield, Heat | |
| 54 | Not Required | 0 | Caterpillar Engines | |
| 54 | 1001120508 | 1 | Deutz and GM Engines | |
| 55 | 1001121059 | 1 | Bracket, Hinge Support | |
| 56 | 1001121061 | 1 | Hood, Fixed Tank Side | |
| | | Ref | Note: Replacement Decals must be Purchased Separately - See DECALS SECTION. | |
| 57 | 1001121118 | AR | Shim 3mm | |
| 58 | 1001121119 | AR | Shim 1.5mm | |
| 59 | 0100081 | AR | Adhesive | |
| 60 | 0641506 | 5 | Bolt 5/16in-18NC x 3/4in | |
| 61 | 0641608 | 14 | Bolt 3/8in-16NC x 1in | |
| | 1001118715 | Ref | HOOD TANK SIDE | E |
| 101 | 0100011 | AR | Compound, Locking | |
| 102 | 0100081 | AR | Adhesive | |
| 103 | 0700616 | 1 | Bolt M6 x 40mm | |
| 104 | 2560187 | 1 | Handle, Push Button | |
| 105 | 3290601 | 1 | Nut M6 | |
| 106 | 3311505 | 15 | Locknut 5/16in-18NC | |
| 107 | 3340877 | 4 | Pad | |
| 108 | 3900210 | 15 | Screw, Button Head 5/16in-18NC x 3/4in | |
| 109 | 3900363 | 2 | Screw, Button Head M6 x 25mm | |
| 110 | 4711500 | 17 | Flatwasher 5/16in Thin | |
| 111 | 1001116290 | 1 | Plate, Latch Mounting | |
| 112 | 1001116292 | 4 | Mount, Clamp | |
| | 1001118716 | Ref | HOOD ENGINE SIDE | D |
| 201 | 0100011 | AR | Compound, Locking | |
| 202 | 0100081 | AR | Adhesive | |
| 203 | 0700616 | 1 | Bolt M6 x 40mm | |
| 204 | 2560187 | 1 | Handle, Push Button | |
| 205 | 3290601 | 1 | Nut M6 | |
| 206 | 3311505 | 15 | Locknut 5/16in-18NC | |
| 207 | 3340877 | 4 | Pad | |

SECTION 2 - TURNTABLE

| ITEM | PART NUMBER | QTY | DESCRIPTION | REV |
|------|-------------|-----|---|-----|
| 208 | 3900210 | 15 | Screw, Button Head 5/16in-18NC x 3/4in | |
| 209 | 3900363 | 2 | Screw, Button Head M6 x 25mm | |
| 210 | 4711500 | 17 | Flatwasher 5/16in Thin | |
| 211 | 1001116290 | 1 | Plate, Latch Mounting | |
| 212 | 1001116292 | 4 | Mount, Clamp | |
| | 0256122 | Ref | LIFTING PLATE INSTALLATION | 1-B |
| 301 | 3539590 | 1 | Plate, Lifting | |
| 302 | 0682014 | 4 | Bolt 5/8in-11NC x 1-3/4in (Grade 8) | |
| 303 | 4892000 | 4 | Flatwasher, Hardened 5/8in | |
| 304 | 0100019 | AR | Compound, Locking | |
| 305 | 1701500 | 2 | Decal - Tie Down/Lift | |
| | 0256823 | Ref | NOISE REDUCTION INSTALLATION (DIESEL MACHINES) | 3 |
| 401 | 2820078 | 1 | Foam, Acoustical | |
| 405 | 3539955 | 1 | Plate, Baffle | |
| 406 | 0641506 | 2 | Bolt 5/16in-18NC x 3/4in | |
| 407 | 4751500 | 2 | Flatwasher 5/16in Regular | |
| 408 | 0100011 | AR | Compound, Locking | |

SECTION 2 - TURNTABLE

FIGURE 2-26. 2500W GENERATOR INSTALLATION - CATERPILLAR MACHINES (OPTIONAL)



SECTION 2 - TURNTABLE

FIGURE 2-26. 2500W GENERATOR INSTALLATION - CATERPILLAR MACHINES (OPTIONAL)

| ITEM | PART NUMBER | QTY | DESCRIPTION | REV |
|------|-------------|-----|---|-----|
| | | Ref | GENERATOR INSTALLATION OPTIONS: | |
| | | Ref | USA Built Machines (SN 0300087000 through 0300132802) | |
| | 0274081 | Ref | 110V/60Hz | 1-A |
| | 1001102547 | Ref | 110V/50HZ | B |
| | 0274087 | Ref | 220V/50Hz | 1-A |
| | | Ref | USA Built Machines (SN 0300132803 through 0300140359) | |
| | 0274081 | Ref | 110V/60Hz | 1-A |
| | 1001102547 | Ref | 110V/50HZ | B |
| | 1001102548 | Ref | 220V/50HZ | B |
| | | Ref | USA Built Machines (SN 0300140360 through 0300171769) | |
| | 1001115404 | Ref | 110V/60Hz | A |
| | 1001115413 | Ref | 110V/50HZ | B |
| | 1001115414 | Ref | 220V/50Hz | A |
| | | Ref | CHINA Built Machines (SN B300000100 to Present) | |
| | 1001115404 | Ref | 110V/60Hz | A |
| | 1001115414 | Ref | 220V/50Hz | A |
| 1 | 3580322 | 1 | Pulley | |
| 2 | | Ref | Generator and Control Box Assembly Options: | |
| 2 | 2460055 | 1 | 110V/60Hz | |
| 2 | 2460057 | 1 | 110V/50Hz USA Built Machines (SN 0300087000 through 0300132802) | |
| 2 | See Note | NSS | 110V/50Hz USA Built Machines (Note: Not Available for Purchase) (SN 0300132803 through 0300171769) | |
| 2 | 2460056 | 1 | 220V/50Hz USA Built Machines (SN 0300087000 through 0300132802) | |
| 2 | See Note | NSS | 220V/50Hz USA Built Machines (Note: Not Available for Purchase) (SN 0300132803 through 0300171769) | |
| 2 | See Note | NSS | 220V/50Hz China Built Machines (Note: Not Available for Purchase) (SN B300000100 to Present) | |
| 2A | 7012558 | 1 | Generator Only - 110V/60Hz | |
| 2A | 2460049 | 1 | Generator Only - 110V/50Hz (was p/n 7019679 & 70000129) | |
| 2A | 1001100321 | 1 | Generator Only - 220V/50Hz (was p/n 7019679 & 70000128) | |
| | | Ref | Note: Replacement Generator come standard with p/n 3580134 pulley. This pulley may not be correct for all applications. Refer to pulley options below. | |
| 2A | | Ref | Armature with Slip Rings Options: | |
| 2A | 7026199 | 1 | Armature with Slip Rings - 110V/60Hz | |
| 2A | 70000122 | 1 | Armature with Slip Rings - 110V/50Hz | |
| 2A | 70000123 | 1 | Armature with Slip Rings - 220V/50Hz | |
| 2A | 7012513 | 4 | Cap, Brush Holder | |
| 2A | 7020108 | 4 | Brush | |
| 2A | 7020109 | 4 | Holder, Brush | |
| 2A | 7012514 | 1 | Fan | |
| 2A | 7020110 | 1 | Bell, Front | |
| 2A | 7020111 | 1 | Bell, Rear | |
| 2A | 7020190 | 2 | Bearing | |
| 2B | 7019680 | 1 | Box, Control - 110V/60Hz (was p/n 7003657) | |
| 2B | 7019680 | 1 | Box, Control - 110V/50Hz (USA Built Machines Only) (was p/n 7003657) (SN 0300087000 through 0300132803) | |
| 2B | 70000127 | 1 | Box, Control - 220V/50Hz (was p/n 7019680) (USA Built Machines Only) (SN 0300087000 through 0300132803) | |
| 2B | | Ref | Receptacle Options: | |

SECTION 2 - TURNTABLE

| ITEM | PART NUMBER | QTY | DESCRIPTION | REV |
|------|-------------|-----------|--|-----|
| 2B | 4460190 | 1 | Receptacle, Standard (110V Only) | |
| 2B | 4460027 | 1 | Receptacle, Twistlock (110V Only) | |
| 2B | 70000124 | 1 | Receptacle, Double (220V/50Hz Only) | |
| 2B | 70000125 | 1 | Receptacle, Single (220V/50Hz Only) | |
| 2B | | Ref | Breaker, Circuit Options: | |
| 2B | 7020194 | 1 | 110V Breaker, Circuit | |
| 2B | 70000126 | 1 | 220V Breaker, Circuit | |
| 2B | 3520028 | 1 | Plug, Hole | |
| 2C | | Ref | Voltmeter Options: | |
| 2C | 2420203 | 1 | Voltmeter - 110V (was p/n 7010699) | |
| 2C | 7020192 | 1 | Voltmeter - 220V | |
| 2D | | Ref | Pulley Options: | |
| 2D | 3580276 | 1 | Pulley - 60Hz | |
| 2D | 3580134 | 1 | Pulley - 50Hz | |
| 2D | 7027887 | 1 | Key, Woodruff | |
| 3 | 0700816 | 4 | Bolt 8mm x 40mm | |
| 4 | 4751900 | 4 | Flatwasher 9/16in Regular | |
| 5 | 0200819 | 1 | Arm, Adjusting | |
| 6 | | Ref | V-Belt Options: | |
| 6 | 0480121 | 1 | 60Hz | |
| 6 | 0480120 | 1 | 50Hz | |
| 7 | 0641610 | 1 | Bolt 3/8in-16NC x 1-1/4in | |
| 8 | 0100011 | AR | Compound, Locking | |
| 9 | 0641772 | 1 | Bolt 7/16in-14NC x 9in | |
| 10 | 4751600 | 6 | Flatwasher 3/8in Regular | |
| 11 | | Ref | Plate, Box Mounting Options: | |
| 11A | 3574684 | 1 | Plate with Control Box | |
| 11B | 1001102644 | 1 | Plate with Junction Box | |
| 12 | 0761210 | 2 | Bolt M12 x 20mm | |
| 13 | 0962563 | 1 | Bushing, Spacer | |
| 14 | 3311605 | 1 | Locknut 3/8in-16NC | |
| 15 | 3311705 | 1 | Locknut 7/16in-14NC | |
| 16 | 3740080 | 1 | Relay | |
| 18 | 0641508 | 1 | Bolt 5/16in-18NC x 1in | |
| 19 | 4751500 | 1 | Flatwasher 5/16in Regular | |
| 20 | 4031608 | 2 | Capscrew M5 x 20mm | |
| 21 | 4240018 | AR | Tie-Strap (Not Shown) | |
| 22 | 0721006 | 3 | Bolt #10-24NC x 3/4in | |
| 23 | 3311005 | 3 | Locknut #10-24NC | |
| 24 | 4751000 | 6 | Flatwasher #10 Regular | |
| 25 | 4360336 | 1 | Switch, Toggle (Not Shown - Located at Platform) | |
| 26 | 4740397 | 1 | Washer, Spacer (Not Shown - Located at Platform) | |
| 27 | 4060802 | 1 | Guard, Switch (Not Shown - Located at Platform) | |
| 28 | | Ref | Decal - Voltage Options (Not Shown - Located at Platform): | |
| 28 | See Note | NSS | 110V/60Hz (Note: Not Available for Purchase) | |
| 28 | 1705325 | 1 | 110V/50Hz | |
| 28 | 3252507 | 1 | 220V/50Hz | |
| 29 | 2820031 | 4 in/10cm | Heat Shrink (Not Shown - Located at Platform) | |
| 30 | 3251102 | 1 | Decal (Not Shown - Located at Platform) | |
| 32 | | Ref | Light, Red Options: | |
| 32 | 1001100233 | 1 | 110V/50Hz | |

SECTION 2 - TURNTABLE

| ITEM | PART NUMBER | QTY | DESCRIPTION | REV |
|-------------|--------------------|------------|--------------------------|------------|
| 32 | 1001100234 | 1 | 220V/50Hz | |
| 33 | 0962449 | 1 | Bushing | |
| 34 | 3290505 | 2 | Locknut M5 | |
| 35 | 4811600 | 2 | Flatwasher M5 | |
| 36 | 4812100 | 2 | Flatwasher M12 | |
| 37 | 1001099869 | 1 | Junction Box Assembly | |
| 38 | 4460968 | 3 | Connector, Strain Relief | |

SECTION 2 - TURNTABLE

FIGURE 2-27. 2500W GENERATOR INSTALLATION - DEUTZ MACHINES (OPTIONAL)

| ITEM | PART NUMBER | QTY | DESCRIPTION | REV |
|------|-------------|-----|---|-----|
| | | Ref | GENERATOR INSTALLATIONS | |
| | | Ref | USA Built Machines: (SN 0300087000 through 0300139049) | |
| | 0274082 | Ref | 110V/60Hz (Available on all Specs except CE Spec) | 3-C |
| | 0274090 | Ref | 110V/50Hz (Available on ANSI Export, Australian and CE Specs) (SN 0300087000 through 0300133734) | 1-A |
| | 0273045 | Ref | 110V/50Hz (Available on CE Spec - UK Only) (SN 0300087000 through 0300133734) | 1-A |
| | 0273085 | Ref | 110V/50Hz (Available on CE Spec - Germany Only) (SN 0300087000 through 0300133734) | 1-A |
| | 1001100308 | Ref | 110V/50Hz (Available on ANSI Export, Australian and CE Specs) (SN 0300133734 through 0300139050) | D |
| | 0274086 | Ref | 220V/50Hz (Available on ANSI Export, Australian and CE Specs) (SN 0300087000 through 0300133734) | 1-A |
| | 1001099868 | Ref | 220V/50Hz (Available on ANSI Export, Australian and CE Specs) (SN 0300133734 through 0300139050) | D |
| | | Ref | USA Built Machines: (SN 0300139050 through 0300171769) | |
| | 1001115405 | Ref | 110V/60Hz (Available on all Specs except CE Spec) | A |
| | 1001115410 | Ref | 110V/50Hz (Available on ANSI Export, Australian and CE Specs) | A |
| | 1001115409 | Ref | 220V/50Hz (Available on ANSI Export, Australian and CE Specs) | A |
| | | Ref | China Built Machines: (SN B300000100 to Present) | |
| | 1001115405 | Ref | 110V/60Hz (Available on all Specs except CE Spec) | A |
| | 1001115409 | Ref | 220V/50Hz (Available on ANSI Export, Australian and CE Specs) | A |
| | | Ref | Note : See SPECIAL OPTIONS Section for Machines with 4000W Generator | |
| 1 | 3580158 | 1 | Pulley | |
| 2 | | Ref | Generator Component Options: | |
| 2 | 2460055 | 1 | 110V/60Hz Generator and Control Box Assembly (0274082 Installation) | |
| 2 | 2460057 | 1 | 110V/50Hz Generator and Control Box Assembly (0274090 Installation) | |
| 2 | 2460049 | 1 | 110V/50Hz Generator Only (1001099869, 1001115410, 0273045 & 0273085 Installations which Uses Junction Box or Switch Box) | |
| 2 | 2460056 | 1 | 220V/50Hz Generator and Control Box Assembly (0274086 Installation) | |
| 2 | 1001100321 | 1 | 220V/50Hz Generator Only (1001100308 & 1001115409 Installations which Uses Junction Box) | |
| 2A | 7012558 | 1 | Generator Only - 110V/60Hz | |
| 2A | 2460049 | 1 | Generator Only - 110V/50Hz (was p/n 7019679 & 70000129) | |
| 2A | 1001100321 | 1 | Generator Only - 220V/50Hz (was p/n 7019679 & 70000128) | |
| | | Ref | Note: Replacement Generator come standard with p/n 3580134 pulley. This pulley may not be correct for all applications. Refer to pulley options below. | |
| 2A | | Ref | Armature with Slip Rings Options: | |
| 2A | 7026199 | 1 | Armature with Slip Rings - 110V/60Hz | |
| 2A | 70000122 | 1 | Armature with Slip Rings - 110V/50Hz | |
| 2A | 70000123 | 1 | Armature with Slip Rings - 220V/50Hz | |
| 2A | 7012513 | 4 | Cap, Brush Holder | |
| 2A | 7020108 | 4 | Brush | |
| 2A | 7020109 | 4 | Holder, Brush | |

SECTION 2 - TURNTABLE

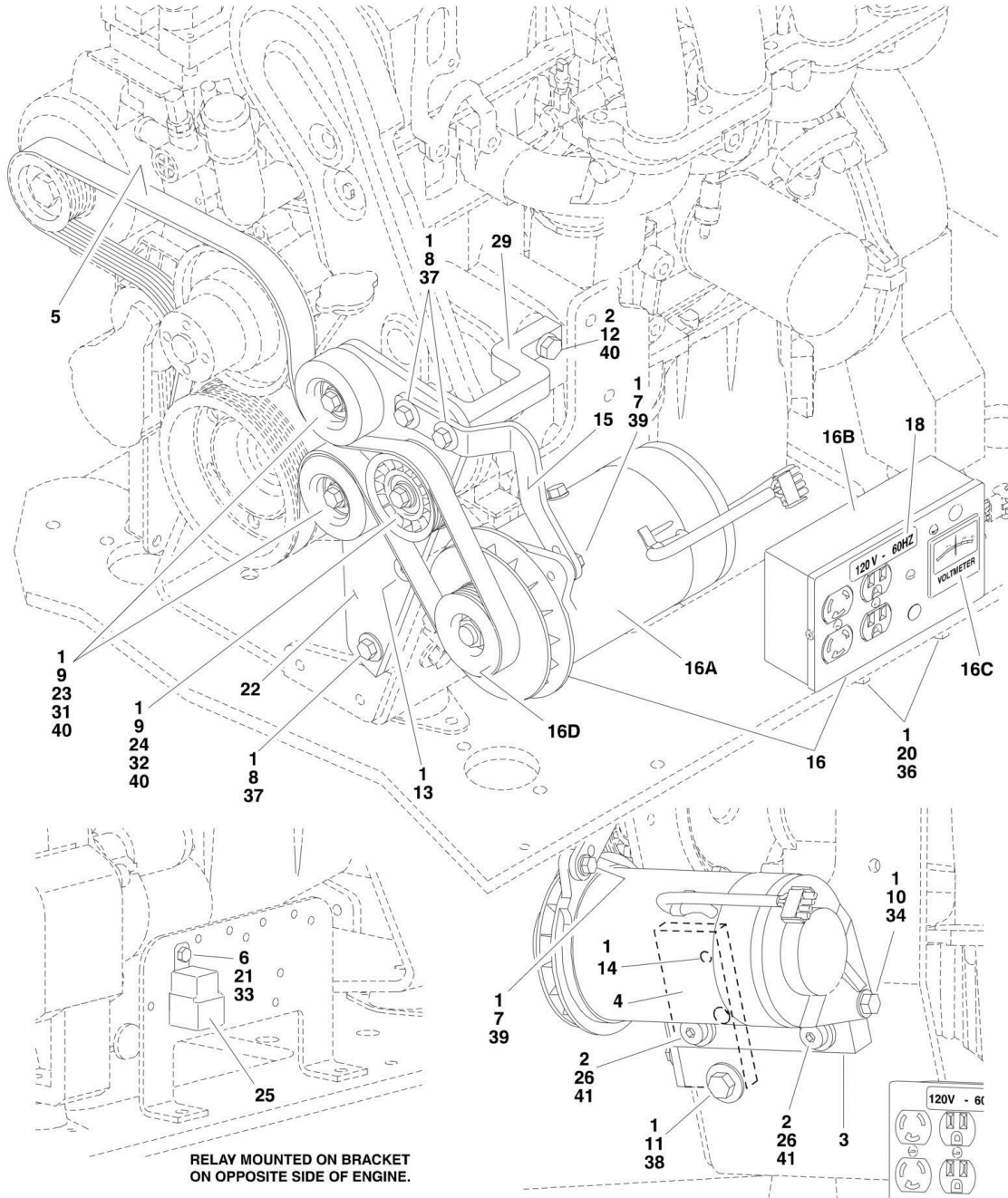
| ITEM | PART NUMBER | QTY | DESCRIPTION | REV |
|------|--------------|-----|---|-----|
| 2A | 7012514 | 1 | Fan | |
| 2A | 7020110 | 1 | Bell, Front | |
| 2A | 7020111 | 1 | Bell, Rear | |
| 2A | 7020190 | 2 | Bearing | |
| 2B | 7019680 | 1 | Box, Control - 110V/60Hz & 110V/50Hz (0274082 & 0274090 Installations Only) (was p/n 7003657) | |
| 2B | 70000127 | 1 | Box, Control - 220V/50Hz (0274086 Installation Only) (was p/n 7019680) | |
| 2B | | Ref | Receptacle Options: | |
| 2B | 4460190 | 1 | Receptacle, Standard (110V Only) | |
| 2B | 4460027 | 1 | Receptacle, Twistlock (110V Only) | |
| 2B | 70000124 | 1 | Receptacle, Double (220V/50Hz Only) | |
| 2B | 70000125 | 1 | Receptacle, Single (220V/50Hz Only) | |
| 2B | | Ref | Breaker, Circuit Options: | |
| 2B | 7020194 | 1 | 110V Breaker, Circuit | |
| 2B | 70000126 | 1 | 220V Breaker, Circuit | |
| 2B | 3520028 | 1 | Plug, Hole | |
| 2C | | Ref | Voltmeter Options: | |
| 2C | 2420203 | 1 | Voltmeter - 110V (was p/n 7010699) | |
| 2C | 7020192 | 1 | Voltmeter - 220V | |
| 2D | | Ref | Pulley Options: | |
| 2D | 3580276 | 1 | Pulley - 60Hz | |
| 2D | 3580134 | 1 | Pulley - 50Hz | |
| 2D | 7027887 | 1 | Key, Woodruff | |
| 3 | | Ref | Decal Options: | |
| 3 | 3251243 | 1 | 120V 60Hz | |
| 3 | 1705325 | 1 | 120V 50Hz | |
| 3 | Not Required | 0 | 220V/50Hz | |
| 4 | | Ref | Arm, Adjusting Options: | |
| 4 | 0200742 | 1 | All Installations except 0273045 & 0273085 | |
| 4 | 0200741 | 1 | 0273045 & 0273085 Installations Only | |
| 5 | | Ref | V-Belt Options: | |
| 5 | 0480121 | 1 | All Installations except 0273045 & 0273085 | |
| 5 | 0480120 | 1 | 0273045 & 0273085 Installations Only | |
| 6 | 0641404 | 1 | Bolt 1/4in-20NC x 1/2in | |
| 7 | 0641610 | 1 | Bolt 3/8in-16NC x 1-1/4in | |
| 8 | 0100011 | AR | Compound, Locking | |
| 9 | 0641772 | 1 | Bolt 7/16in-14NC x 9in | |
| 10 | 4751600 | 6 | Flatwasher 3/8in Regular | |
| 11 | 2860012 | 1 | Key, Woodruff | |
| 12 | 3311605 | 1 | Locknut 3/8in-16NC | |
| 13 | 3311705 | 1 | Locknut 7/16in-14NC | |
| 14 | 3740080 | 1 | Relay | |
| 15 | 3290505 | 1 | Locknut M5 | |
| 16 | 0641508 | 1 | Bolt 5/16in-18NC x 1in | |
| 17 | 4751500 | AR | Flatwasher 5/16in Regular | |
| 18 | 4031608 | 1 | Capscrew M5 x 20mm | |
| 19 | 4811600 | 1 | Flatwasher M5 | |
| 20 | 0721006 | AR | Bolt #10-24NC x 3/4in | |
| 21 | 3311005 | AR | Locknut #10-24NC | |
| 22 | 4751000 | 9 | Flatwasher #10 Regular | |
| 23 | 4460968 | 3 | Bushing, Strain Relief (10011099868, 1001100308, 1001115410) | |

SECTION 2 - TURNTABLE

| ITEM | PART NUMBER | QTY | DESCRIPTION | REV |
|------|-------------|-----------|--|-----|
| | | | Installations Only) | |
| 24 | 4420060 | AR | Tape, Double Sided | |
| 25 | 4360336 | 1 | Switch, Toggle (Not Shown - Located at Platform) | |
| 26 | 4740397 | 1 | Bushing (Not Shown - Located at Platform) | |
| 27 | 4060802 | 1 | Guard, Switch (Not Shown - Located at Platform) | |
| 28 | | Ref | Decal - Voltage Options (Not Shown - Located at Platform): | |
| 28 | See Note | NSS | 110V/60Hz (Note: Not Available for Purchase) | |
| 28 | 1705325 | 1 | 110V/50Hz | |
| 28 | 3252507 | 1 | 220V/50Hz | |
| 29 | 2820031 | 4 in/10cm | Heat Shrink (Not Shown - Located at Platform) | |
| 30 | | Ref | Decal, Generator ON/OFF Options (Not Shown - Located at Platform): | |
| 30 | 3251102 | 1 | All Installations except 0273045 & 0273085 | |
| 30 | 1705728 | 1 | 0273045 & 0273085 Installations Only | |
| 31 | 4070585 | AR | Shim .010in | |
| 32 | 1001099869 | 1 | Box, Junction (10011099868, 1001100308, 1001115409 & 1001115410 Installations Only) | |
| 33 | 0962449 | 1 | Bushing, Silicone (10011099868, 1001100308, 1001115409 & 1001115410 Installations Only) | |
| 34 | | Ref | Light, Red Options: | |
| 34 | 1001100234 | 1 | 10011099868 & 1001115409 Installations Only (USA Built Machines) (SN 0300087000 through 0300139049) | |
| 34 | 1001100233 | 1 | 1001100308 & 1001115410 Installations Only (USA Built Machines) (SN 0300139050 through 0300171769) | |
| 34 | 1001100233 | 1 | 1001100308 & 1001115410 Installations Only (China Built Machines) (SN B300000100 to Present) | |
| 35 | 1705715 | 1 | Decal - 115VAC (0273045 & 0273085 Installations Only) | |
| 36 | 1705714 | 1 | Decal - Danger (0273045 & 0273085 Installations Only) | |
| 37 | 4360294 | 1 | Breaker, Circuit - 30Amp (0273045 & 0273085 Installations Only) | |
| | 2902085 | 1 | Installation Kit - Powermite Generator (Includes Generator Mounting Bracket, p/n 0480121 Belt and Mounting Hardware) | |
| | | Ref | GENERATOR CONTROL BOX ASSEMBLY (0273045 & 0273085 INSTALLATIONS ONLY) | |
| | 0861599 | Ref | UK Spec | A |
| | 0861607 | Ref | German Spec | A |
| 101 | 0861602 | 1 | Box, Control | |
| 102 | 1060461 | 20 ft/6m | Cable Electrical 12/3 | |
| 103 | 2420203 | 1 | Voltmeter | |
| 104 | 2920162 | 1 | Lamp | |
| 105 | | Ref | Breaker Circuit Options: | |
| 105 | 4360541 | 1 | Breaker Circuit (UK Spec) | |
| 105 | 4360540 | 1 | Residual Current Device (German Spec) | |
| 106 | 4360542 | 1 | Breaker Circuit 20Amp | |
| 107 | 4460968 | 2 | Connector, Strain Relief | |
| 108 | | Ref | Plug Options: | |
| 108A | 4460991 | 1 | Plug, Female (UK Spec) | |
| 108B | 4460999 | 1 | Plug, Terminal (German Spec) | |
| 109 | 4922912 | 1 | Harness | |
| 110 | 0721005 | 2 | Screw #10-24NC x 5/8in | |
| 111 | 3311001 | 2 | Nut #10-24NC | |

SECTION 2 - TURNTABLE

FIGURE 2-28. 2500W GENERATOR INSTALLATION - FORD MACHINES (OPTIONAL)



SECTION 2 - TURNTABLE

FIGURE 2-28. 2500W GENERATOR INSTALLATION - FORD MACHINES (OPTIONAL)

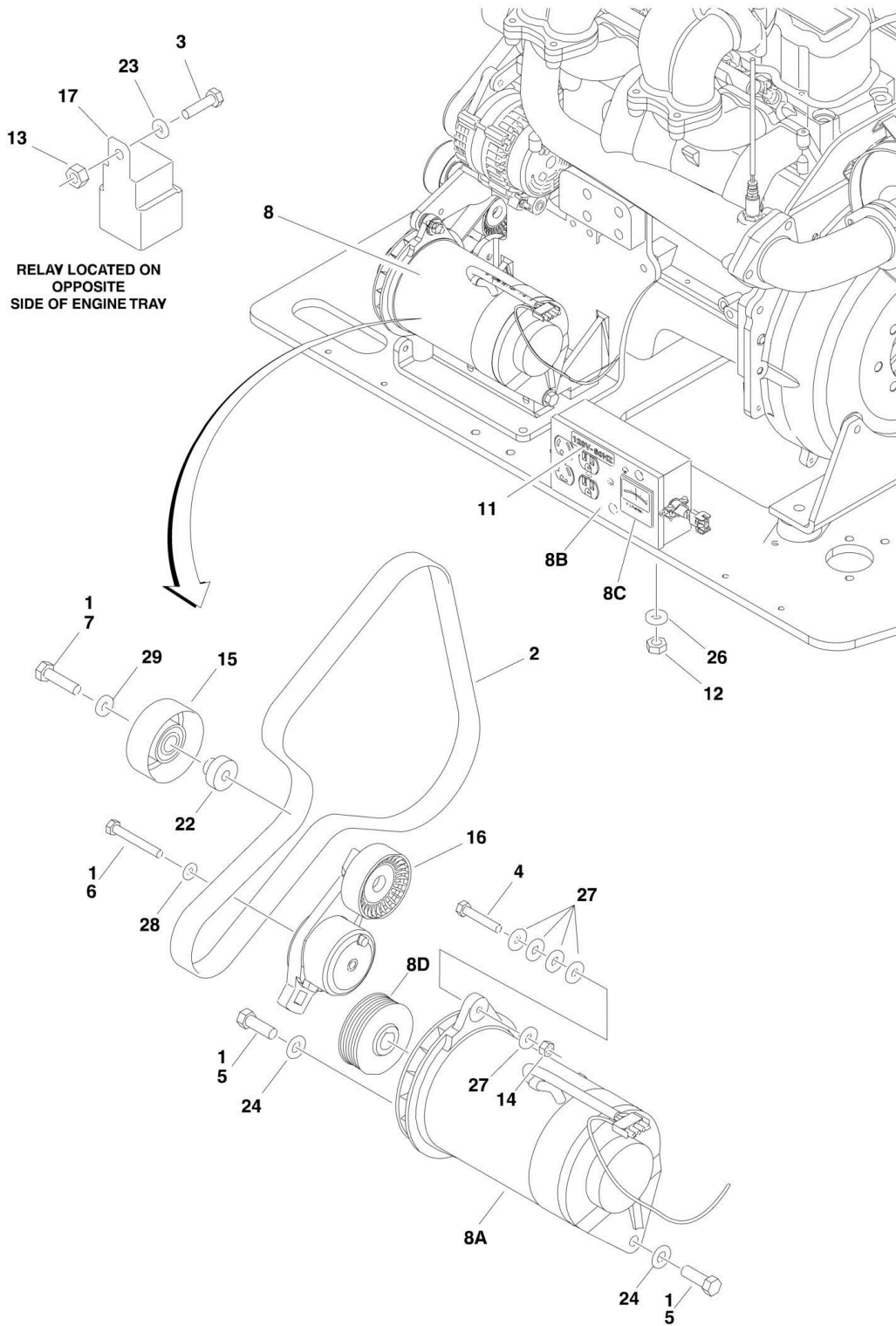
| ITEM | PART NUMBER | QTY | DESCRIPTION | REV |
|------|-------------|-----|--|-----|
| | | Ref | Note: Only Available on USA Built Machines. | |
| | | Ref | GENERATOR INSTALLATION OPTIONS: | |
| | 0273507 | Ref | 110V/60Hz | C |
| | 0273511 | Ref | 220V/50Hz | D |
| 1 | 0100011 | AR | Compound, Locking | |
| 2 | 0100019 | AR | Compound, Locking | |
| 3 | 0363082 | 1 | Bar, Generator Adjuster | |
| 4 | 0363097 | 1 | Bar, Pulley Mounting | |
| 5 | 0480135 | 1 | V-Belt | |
| 6 | 0641405 | 1 | Bolt 1/4in-20NC x 5/8in | |
| 7 | 0641508 | 1 | Bolt 5/16in-18NC x 1in | |
| 8 | 0641611 | 3 | Bolt 3/8in-16NC x 1-3/8in | |
| 9 | 0641612 | 3 | Bolt 3/8in-16NC x 1-1/2in | |
| 10 | 0641718 | 2 | Bolt 7/16in-14NC x 2-1/4in | |
| 11 | 0641810 | 1 | Bolt 1/2in-13NC x 1-1/4in | |
| 12 | 0701015 | 1 | Bolt 10mm x 35mm | |
| 13 | 0741606 | 1 | Screw, Countersunk 3/8in-16NC x 3/4in | |
| 14 | 0741808 | 1 | Screw, Countersunk 1/2in-13NC x 1in | |
| 15 | 0902952 | 1 | Bracket, Generator Mounting | |
| 16 | | Ref | Generator and Control Box Assembly Options: | |
| 16 | 2460051 | 1 | 110Volt Assembly | |
| 16 | 2460052 | 1 | 220Volt Assembly | |
| 16A | | Ref | Generator Only Options: | |
| 16A | 7012558 | 1 | 110V/60Hz Assembly | |
| 16A | 1001100321 | 1 | 220V/50Hz Assembly (Was p/n 70000128) | |
| | | Ref | Note: Replacement Generators come standard with p/n 3580134 pulley. This pulley may not be correct for all applications. Refer to pulley options below. | |
| 16A | | Ref | Armature with Slip Rings Options: | |
| 16A | 7026199 | 1 | Armature with Slip Rings - 110V/60Hz | |
| 16A | 70000123 | 1 | Armature with Slip Rings - 220V/50Hz | |
| 16A | 7020109 | 4 | Holder, Brush | |
| 16A | 7020108 | 4 | Brush | |
| 16A | 7012513 | 4 | Cap, Brush Holder | |
| 16A | 7012514 | 1 | Fan | |
| 16A | 7020110 | 1 | Bell, Front | |
| 16A | 7020111 | 1 | Bell, Rear | |
| 16A | 7020190 | 2 | Bearing | |
| 16B | | Ref | Box, Control Options: | |
| 16B | 7019680 | 1 | Box, Control - 110V/60Hz (was p/n 7003657) | |
| 16B | 70000127 | 1 | Box, Control - 220V/50Hz | |
| 16B | | Ref | Receptacle Options: | |
| 16B | 4460190 | 1 | Receptacle, Standard (110V Only) | |
| 16B | 4460027 | 1 | Receptacle, Twistlock (110V Only) | |
| 16B | 70000124 | 1 | Receptacle, Double (220V/50Hz Only) | |
| 16B | 70000125 | 1 | Receptacle, Single (220V/50Hz Only) | |
| 16B | | Ref | Breaker, Circuit Options: | |
| 16B | 7020194 | 1 | 110V Breaker, Circuit | |
| 16B | 70000126 | 1 | 220V Breaker, Circuit | |
| 16B | 3520028 | 1 | Plug, Hole | |

SECTION 2 - TURNTABLE

| ITEM | PART NUMBER | QTY | DESCRIPTION | REV |
|------|-------------|-----|--|-----|
| 16C | | Ref | Voltmeter Options: | |
| 16C | 2420203 | 1 | 110V Voltmeter (was p/n 7010699) | |
| 16C | 7020192 | 1 | 220V Voltmeter | |
| 16D | | Ref | Pulley Options: | |
| 16D | 3580324 | 1 | 110Volt Assembly | |
| 16D | 3580325 | 1 | 220Volt Assembly | |
| 16D | 7027887 | 1 | Key, Woodruff | |
| 17 | 2820031 | AR | Heat Shrink (Not Shown - Located at Platform) | |
| 18 | | Ref | Decal | |
| 18 | 1702590 | 1 | 110V Generator | |
| 18 | 3251243 | 1 | 220V Generator | |
| 19 | | Ref | Nameplate Options (Not Shown - Located at Platform): | |
| 19 | 3252764 | 1 | 110V Generator | |
| 19 | 3251102 | 1 | 220V Generator | |
| 20 | 3311005 | 2 | Locknut #10-24NC | |
| 21 | 3311405 | 1 | Locknut 1/4in-20NC | |
| 22 | 3574225 | 1 | Plate, Pulley Mounting | |
| 23 | 3580312 | 2 | Pulley, Idler | |
| 24 | 3580313 | 1 | Pulley, Grooved Idler | |
| 25 | 3740080 | 1 | Relay, Bosch | |
| 26 | 3900322 | 2 | Screw, Shoulder | |
| 27 | 4060802 | 1 | Guard, Switch (Not Shown - Located at Platform) | |
| 28 | 4240018 | AR | Tie-Strap | |
| 29 | 4340738 | 1 | Support, Idler Pulley | |
| 30 | 4360336 | 1 | Switch, Toggle (Not Shown - Located at Platform) | |
| 31 | 4568734 | 2 | Spacer, Tube (Idler Pulley Non-Grooved) | |
| 32 | 4568735 | 1 | Spacer, Tube (Idler Pulley Grooved) | |
| 33 | 4711400 | 1 | Flatwasher 1/4in Thin | |
| 34 | 4711700 | 2 | Flatwasher 7/16in Thin | |
| 35 | 4740397 | 1 | Spacer | |
| 36 | 4751000 | 2 | Flatwasher #10 Regular | |
| 37 | 4751600 | 3 | Flatwasher 3/8in Regular | |
| 38 | 4751800 | 1 | Flatwasher 1/2in Regular | |
| 39 | 4891500 | 1 | Flatwasher 5/16in Hardened | |
| 40 | 4891600 | 4 | Flatwasher 3/8in Hardened | |
| 41 | 4892000 | 2 | Flatwasher 5/8in Hardened | |

SECTION 2 - TURNTABLE

FIGURE 2-29. 2500W GENERATOR INSTALLATION - GM MACHINES (OPTIONAL)



SECTION 2 - TURNTABLE

FIGURE 2-29. 2500W GENERATOR INSTALLATION - GM MACHINES (OPTIONAL)

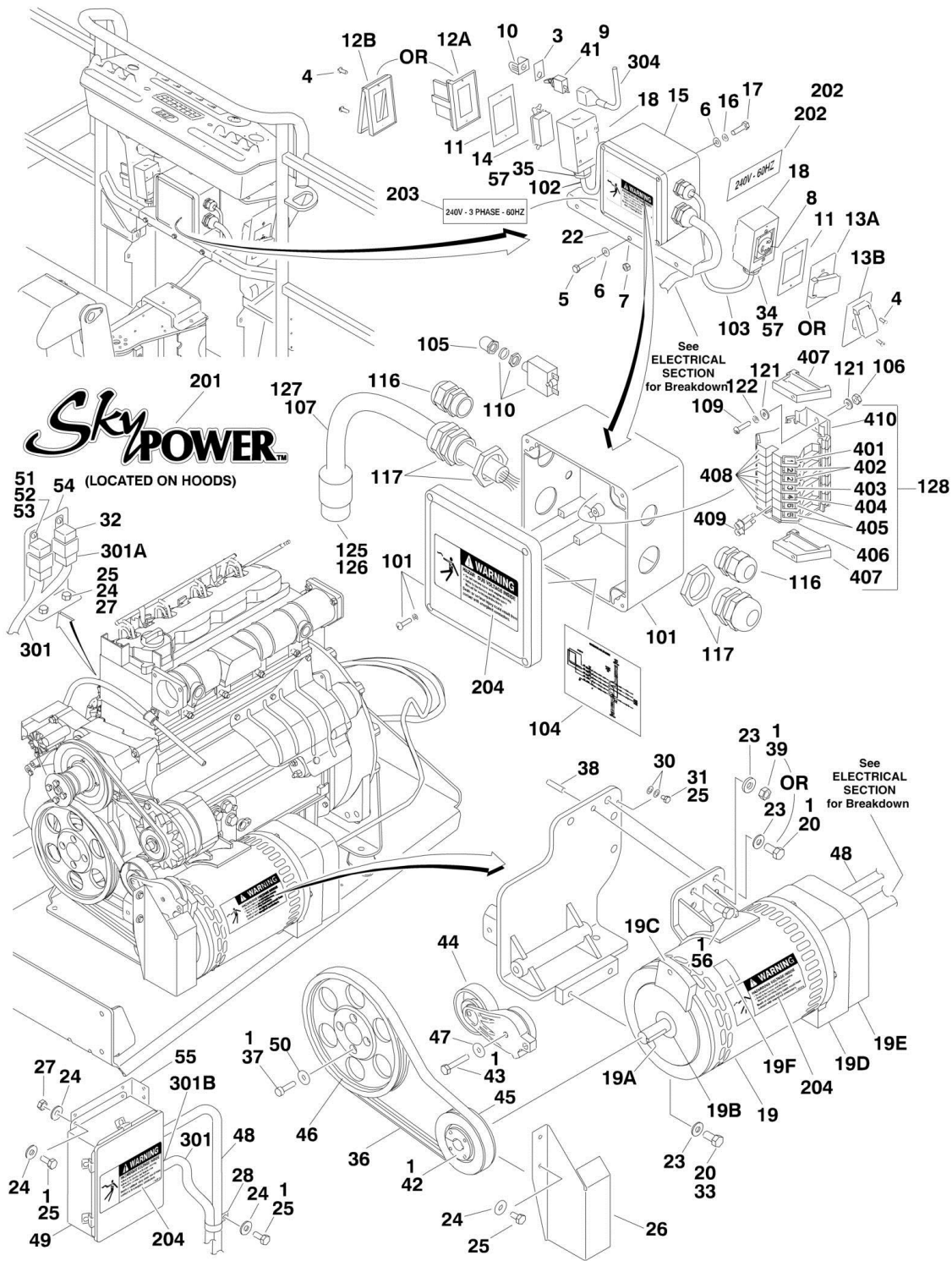
| ITEM | PART NUMBER | QTY | DESCRIPTION | REV |
|------|-------------|-----|--|-----|
| | | Ref | Note: Only Available on USA Built Machines. | |
| | | Ref | GENERATOR INSTALLATION OPTIONS: | |
| | 0275039 | Ref | 110V Generator | E |
| | See Note | Ref | 220V Generator (Note: Not Available for Purchase) | |
| | | Ref | Note: Refer to Sky Power Accessories Manual p/n 3124242 for the Miller 7500W Generator. | |
| 1 | 0100011 | AR | Compound, Locking | |
| 2 | 0480142 | 1 | V-Belt | |
| 3 | 0641405 | 1 | Bolt 1/4in-20NC x 5/8in | |
| 4 | | Ref | Bolt Options: | |
| 4 | 0641514 | 1 | Bolt 5/16in-18NC x 1-3/4in (SN 0300087000 through 0300094704) | |
| 4 | 0641510 | 1 | Bolt 5/16in-18NC x 1-1/4in (SN 0300094705 through 0300171769) | |
| 5 | 0641710 | 2 | Bolt 7/16in-14NC x 1-1/4in | |
| 6 | 0700820 | 1 | Bolt 8mm x 60mm | |
| 7 | 0701016 | 1 | Bolt 10mm x 340mm | |
| 8 | | Ref | Generator and Control Box Assembly Options: | |
| 8 | 2460051 | 1 | 110Volt Assembly | |
| 8 | 2460052 | 1 | 220Volt Assembly | |
| 8A | | Ref | Generator Options: | |
| 8A | 7012558 | 1 | 110Volt Assembly | |
| 8A | 1001100321 | 1 | 220Volt Assembly (Was p/n 70000128) | |
| | | Ref | Note: Replacement Generators come standard with p/n 3580134 pulley. This pulley may not be correct for all applications. Refer to pulley options below. | |
| 8A | | Ref | Armature with Slip Rings Options: | |
| 8A | 7026199 | 1 | Armature with Slip Rings - 110V/60Hz | |
| 8A | 70000123 | 1 | Armature with Slip Rings - 220V/50Hz | |
| 8A | 7020109 | 4 | Holder, Brush | |
| 8A | 7020108 | 4 | Brush | |
| 8A | 7012513 | 4 | Cap, Brush Holder | |
| 8A | 7012514 | 1 | Fan | |
| 8A | 7020110 | 1 | Bell, Front | |
| 8A | 7020111 | 1 | Bell, Rear | |
| 8A | 7020190 | 2 | Bearing | |
| 8B | | Ref | Box, Control Options: | |
| 8B | 7019680 | 1 | Box, Control - 110V/60Hz (was p/n 7003657) | |
| 8B | 70000127 | 1 | Box, Control - 220V/50Hz | |
| 8B | | Ref | Breaker, Circuit Options: | |
| 8B | 7020194 | 1 | 110V Breaker, Circuit | |
| 8B | 70000126 | 1 | 220V Breaker, Circuit | |
| 8B | 70000124 | 1 | Receptacle, Double (220V/50Hz Only) | |
| 8B | 70000125 | 1 | Receptacle, Single (220V/50Hz Only) | |
| 8B | 3520028 | 1 | Plug, Hole | |
| 8C | | Ref | Voltmeter Options: | |
| 8C | 2420203 | 1 | 110V Voltmeter (was p/n 7010699) | |
| 8C | 7020192 | 1 | 220V Voltmeter | |
| 8D | | Ref | Pulley Options: | |
| 8D | 3580324 | 1 | 110Volt Assembly | |
| 8D | 3580325 | 1 | 220Volt Assembly | |

SECTION 2 - TURNTABLE

| ITEM | PART NUMBER | QTY | DESCRIPTION | REV |
|------|-------------|-----|---|-----|
| 8D | 7027887 | 1 | Key, Woodruff | |
| 9 | 2820031 | AR | Heat Shrink (Not Shown - Located at Platform) | |
| 10 | 33251102 | 1 | Nameplate - Generator (Not Shown - Located at Platform) | |
| 11 | | Ref | Decal | |
| 11 | 3251243 | 1 | 110 Volt Generator | |
| 11 | 1702590 | 1 | 220 Volt Generator | |
| 12 | 3311005 | 2 | Locknut # 10-24NC | |
| 13 | 3311405 | 1 | Locknut 1/4in-20NC | |
| 14 | 3311505 | 1 | Locknut 5/16in-18NC (SN 0300087000 through 0300094705) | |
| 15 | 3580312 | 1 | Pulley, Idler | |
| 16 | 3580348 | 1 | Tensioner, Belt | |
| 17 | 3740080 | 1 | Relay, Bosch | |
| 18 | 4060802 | 1 | Guard, Switch (Not Shown - Located at Platform) | |
| 19 | 4240018 | AR | Tie-Strap (Not Shown) | |
| 20 | 4360336 | 1 | Switch, Toggle (Not Shown - Located at Platform) | |
| 21 | 4460906 | 3 | Terminal (Not Shown) | |
| 22 | 4568735 | 1 | Spacer, Tube (Idler Pulley Grooved) | |
| 23 | 4711400 | 1 | Flatwasher 1/4in Thin | |
| 24 | 4711700 | 2 | Flatwasher 7/16in Thin | |
| 25 | 4740397 | 1 | Spacer (Not Shown - Located at Platform) | |
| 26 | 4751000 | 2 | Flatwasher #10 Regular | |
| 27 | 4751500 | AR | Flatwasher 5/16in Regular | |
| 28 | 4811900 | 1 | Flatwasher M8 | |
| 29 | 4891600 | 1 | Flatwasher 3/8in Hardened | |

SECTION 2 - TURNTABLE

FIGURE 2-30. 7500W SKYPOWER GENERATOR INSTALLATION - CATERPILLAR AND DEUTZ ENGINES (OPTIONAL)



SECTION 2 - TURNTABLE

FIGURE 2-30. 7500W SKYPOWER GENERATOR INSTALLATION - CATERPILLAR AND DEUTZ ENGINES (OPTIONAL)

| ITEM | PART NUMBER | QTY | DESCRIPTION | REV |
|------|-------------|-----|---|-----|
| | | Ref | 7500W SKYPOWER GENERATOR INSTALLATION | |
| | | Ref | USA Built Machines: (SN 0300087000 through 0300139049) | |
| | 0273540 | Ref | 60Hz and Caterpillar Engine | J |
| | 0273541 | Ref | 50Hz and Caterpillar Engine | I |
| | 0272255 | Ref | 60Hz and Deutz Engine | L |
| | 0272640 | Ref | 60Hz and Deutz Engine (Brazilian Spec Only) | H |
| | 0272492 | Ref | 50Hz and Deutz Engine | J |
| | | Ref | USA Built Machines (SN 0300139050 through 0300171769) | |
| | 1001115398 | Ref | 60Hz and Caterpillar Engine | C |
| | 1001115400 | Ref | 50Hz and Caterpillar Engine | C |
| | 1001115387 | Ref | 60Hz and Deutz Engine | B |
| | 1001115393 | Ref | 60Hz and Deutz Engine (Brazilian Spec Only) | B |
| | 1001115389 | Ref | 50Hz and Deutz Engine | B |
| | | Ref | China Built Machines (SN B300000100 to Present) | |
| | 1001115398 | Ref | 60Hz and Caterpillar Engine | C |
| | 1001115400 | Ref | 50Hz and Caterpillar Engine | C |
| | 1001115387 | Ref | 60Hz and Deutz Engine | B |
| | 1001115389 | Ref | 50Hz and Deutz Engine | B |
| | | Ref | Note: See ELECTRICAL SECTION for Boom Cable Installation. | |
| | | Ref | Note : See SPECIAL OPTIONS Section for Machines with 4000W Generator | |
| 1 | 0100011 | AR | Compound, Locking | |
| 3 | 3252764 | 1 | Nameplate | |
| 4 | 3910606 | 8 | Screw #6-32NC x 3/8in | |
| 5 | 0641516 | 3 | Bolt 5/16in-18NC x 2in | |
| 6 | 4711500 | AR | Flatwasher 5/16in Thin | |
| 7 | | Ref | Nut Options: | |
| 7 | 3311505 | 3 | Locknut 5/16in-18NC (Standard) | |
| 7 | 3311508 | 3 | Locknut 5/16in-18NC (Serrated Flange) | |
| 8 | | Ref | Receptacle, Female Twist-Lock Options (220-240V Single): | |
| 8 | 4460958 | 1 | 60Hz | |
| 8 | See Note | NLA | 50Hz (Note: Not Available - Purchase Locally) | |
| 9 | 4360336 | 1 | Switch, Toggle | |
| 10 | 4060802 | 1 | Guard, Switch | |
| 11 | | Ref | Gasket Options: | |
| 11 | 3960422 | 2 | 60Hz | |
| 11 | See Note | NLA | 50Hz (Note: Not Available - Purchase Locally) | |
| 12 | | Ref | Cover, Receptacle Options: | |
| 12 | See Note | NLA | 50Hz (Note: Not Available - Purchase Locally) | |
| 12A | 4060700 | 1 | 60HZ - Cover Side Hinged | |
| 12B | 1001110873 | 1 | 60HZ - Cover Top Hinged | |
| 13 | | Ref | Cover, Receptacle Options: | |
| 13 | See Note | NLA | 50Hz (Note: Not Available - Purchase Locally) | |
| 13A | 4061043 | 1 | 60HZ - Cover Side Hinged | |
| 13B | 1001110872 | 1 | 60HZ - Cover Top Hinged | |
| 14 | | Ref | Receptacle, Female Options (110-120V): | |
| 14 | 4460346 | 1 | 60Hz | |
| 14 | See Note | NLA | 50Hz (Note: Not Available - Purchase Locally) | |

SECTION 2 - TURNTABLE

| ITEM | PART NUMBER | QTY | DESCRIPTION | REV |
|------|-------------|-----|--|-----|
| 14 | 4460315 | 2 | Terminal, Spade (60HZ Machines Only) | |
| 15 | | Ref | Junction Box Assembly Options (See Items 101-126 for Breakdown): | |
| 15 | 0861542 | 1 | 60Hz Spec (SN 0300087000 through 0300171769) | |
| 15 | 0861542 | 1 | 60Hz Spec (SN B300000100 through B300000866) | |
| 15 | 1001157592 | 1 | 60Hz Spec (Not Shown) (SN B300000867 through B300000969) | |
| 15 | 0861567 | 1 | 50Hz Spec (SN 0300087000 through 0300171769) | |
| 15 | 0861567 | 1 | 50Hz Spec (SN B300000100 through B300000866) | |
| 15 | 1001157525 | 1 | 50Hz Spec (Not Shown) (SN B300000867 through B300000969) | |
| 16 | 4761500 | AR | Lockwasher 5/16in | |
| 17 | | Ref | Bolt Options: | |
| 17 | 0641505 | 4 | Bolt 5/16in-18NC x 5/8in | |
| 17 | 0641508 | 4 | Bolt 5/16in-18NC x 1in | |
| 18 | | Ref | Box, Switch Options: | |
| 18 | 0860038 | 2 | 60Hz Spec | |
| 18 | See Note | NLA | 50Hz Spec (Note: Not Available - Purchase Locally) | |
| 19 | | Ref | Generator Assembly Options: | |
| 19 | 2460050 | 1 | Caterpillar Engine | |
| 19 | 2460048 | 1 | Deutz Engine | |
| 19 | 70001100 | 1 | Rotor (Includes p/n 70001384 & 70000863) (Not Shown) | |
| 19 | 70001384 | 1 | Bearing, Ball Radial (Not Shown) | |
| 19 | 70000863 | 1 | Fan (Not Shown) | |
| 19 | | Ref | Stator Options (Not Shown): | |
| 19 | 70001969 | 1 | 2460050 Generator | |
| 19 | 70002088 | 1 | 2460048 Generator | |
| 19 | 70002297 | 1 | Stud | |
| 19 | 70003631 | 1 | Brushholder Assembly (Not Shown) (was p/n 7024484) | |
| 19A | 70004171 | 1 | Key (was p/n 7024561) | |
| 19B | 70001966 | 1 | Bearing, Ball Radial (Located in Belt Tensioner Endbell) | |
| 19C | 70001953 | 1 | Endbell, Belt Tensioner | |
| 19D | | Ref | Endbell, Brush Block Options (was p/n 70001385): | |
| 19D | 70004170 | 1 | Caterpillar Engine Machines | |
| 19D | 70004169 | 1 | Deutz Engine Machines | |
| 19E | | Ref | Shroud Options: | |
| 19E | 70004170 | 1 | Caterpillar Engine (was p/ns 70001970 & 70001971) | |
| 19E | 70004169 | 1 | Deutz Engine (was p/n 70002290) | |
| 19E | 7027799 | 1 | Block, Connector 6 Position (Not Shown) | |
| 19E | 70002460 | 1 | Nut, Brass (Attaches p/n 7027799 to Cover) (Not Shown) | |
| 19E | 7024485 | 1 | Breaker, Circuit 30Amp (Not Shown) | |
| 19E | 70001696 | 1 | Boot, Breaker (was p/n 7024486 - Not Shown) | |
| 19E | 7026597 | 1 | Connector, with Leads (Not Shown) | |
| 19E | 7026626 | 1 | Housing Plug and Pins (Not Shown) | |
| 19E | 7026188 | 1 | Clamp, Cable (Not Shown) | |
| 19E | 70003708 | 1 | Retaining Ring Internal (Not Shown) | |
| 19E | 70003709 | 1 | Retaining Ring External (Not Shown) | |
| 19E | | Ref | Plate, End Panel Options: | |
| 19E | 70004170 | 1 | Caterpillar Engine (was p/n 70001972) | |
| 19E | 70004169 | 1 | Deutz Engine (was p/n 70002255) | |
| 19E | 70001974 | 1 | Decal - Terminal Connections | |
| 19F | 70001973 | 1 | Decal - Warning Moving Parts | |

SECTION 2 - TURNTABLE

| ITEM | PART NUMBER | QTY | DESCRIPTION | REV |
|------|--------------|-----|---|-----|
| 20 | | Ref | Bolt 1/2in-13NC Options: | |
| 20 | 0641808 | 4 | Caterpillar Engine | |
| 20 | 0641808 | 2 | Deutz Engine | |
| 22 | 0902888 | 1 | Bracket, Box Mounting | |
| 23 | | Ref | Flatwasher 1/2in Options: | |
| 23 | 4711800 | AR | Thin | |
| 23 | 4891800 | AR | Hardened | |
| 24 | | Ref | Flatwasher 1/4in Options: | |
| 24 | 4711400 | AR | Flatwasher 1/4in Thin | |
| 24 | 4751400 | AR | Flatwasher 1/4in Regular | |
| 24 | 4761400 | AR | Lockwasher 1/4in | |
| 25 | | Ref | Bolt Options: | |
| 25 | 0641404 | AR | Bolt 1/4in-20NC x 1/2in | |
| 25 | 0641405 | AR | Bolt 1/4in-20NC x 5/8in | |
| 25 | 0641408 | AR | Bolt 1/4in-20NC x 1in | |
| 26 | | Ref | Shield Options: | |
| 26 | Not Required | 0 | Caterpillar Engine (USA Built Machines) (SN 0300087000 through 030014393) | |
| 26 | Not Required | 0 | Caterpillar Engine (China Built Machines) (Prior to SN B300000231) | |
| 26 | 1001118599 | 1 | Caterpillar Engine (USA Built Machines) (Not Shown) (SN 0300143937 through 0300168215) | |
| 26 | 1001118599 | 1 | Caterpillar Engine (China Built Machines) (Not Shown) (SN B300000231 through B300000735) | |
| 26 | 4061049 | 1 | Deutz Engine (Shown) (USA Built Machines) (SN 0300143937 through 0300171769) | |
| 26 | 4061049 | 1 | Deutz Engine (Shown) (China Built Machines) (SN B300000100 through B300000762) | |
| 27 | 3311405 | AR | Nut 1/4in-20NC | |
| 28 | 1320224 | NLA | Clamp (Use p/n 1320318) | |
| 29 | 4240018 | AR | Tie-Strap (Not Shown) | |
| 30 | 4791400 | 2 | Starwasher 1/4in | |
| 31 | 0641403 | AR | Bolt 1/4in-20NC x 3/8in | |
| 32 | 3740080 | 1 | Relay | |
| 33 | 0100019 | AR | Compound, Locking | |
| 34 | | Ref | Connector, Strain Relief Options: | |
| 34 | 4460051 | 1 | 60Hz | |
| 34 | See Note | NLA | 50Hz (Note: Not Available - Purchase Locally) | |
| 35 | | Ref | Connector, Strain Relief | |
| 35 | 4460071 | 1 | 60Hz | |
| 35 | See Note | NLA | 50Hz (Note: Not Available - Purchase Locally) | |
| 36 | | Ref | Belt, Drive Options: | |
| 36 | 0480129 | 1 | 60Hz Generators: | |
| 36 | | Ref | 50Hz Generators: | |
| 36 | 0480125 | 1 | Caterpillar Engine | |
| 36 | 0480126 | 1 | Deutz Engine | |
| 37 | | Ref | Bolt Options: | |
| 37 | 0700815 | 4 | Caterpillar Engine (Bolt M8 x 35mm) | |
| 37 | 4032015 | 4 | Deutz Engine (Capscrew M10 x 55mm) | |
| 38 | 4300157 | 1 | Stud | |
| 39 | 3311801 | 1 | Nut 1/2in-13NC | |
| 40 | 0100062 | 1 | Loctite (Not Shown) | |
| 41 | 2820031 | 1 | Insulator | |

SECTION 2 - TURNTABLE

| ITEM | PART NUMBER | QTY | DESCRIPTION | REV |
|------|--------------|------------------|---|-----|
| 42 | 0962520 | 1 | Bushing, Split Taper (Was p/n 7024562) | |
| 43 | | Ref | Bolt 3/8in-16NC Options: | |
| 43 | 3931632 | 1 | Capscrew, Socket Head 3/8in-16NC x 2in | |
| 43 | 0641618 | 1 | Bolt, Hex Head 3/8in-16NC x 2-1/4in | |
| 44 | 3580317 | 1 | Tensioner, Belt (Was p/n 7024482) | |
| 45 | | Ref | Pulley Options: | |
| 45 | 3580318 | 1 | 60Hz Generator (Was p/n 7024563) | |
| 45 | 3580319 | 1 | 50Hz Generator (Was p/n 7026187) | |
| 46 | | Ref | Pulley Options: | |
| 46 | 3580321 | 1 | Caterpillar Engine | |
| 46 | 3580320 | 1 | Deutz Engine | |
| 47 | 4711600 | AR | Flatwasher 3/8in Thin | |
| 48 | 4922925 | 1 | Harness, Generator | |
| 49 | | Ref | CONTROL BOX ASSEMBLY OPTIONS: | |
| 49 | 0861538 | 1 | 60Hz Generator (Was p/n 7024487) | |
| 49 | 0861572 | 1 | 50Hz Generator (Was p/n 7024487) | |
| 49 | 7024488 | 1 | Card, Circuit - Generator Power | |
| 49 | See Note | NLA | Fuse (Note: Not Available - Purchase Locally) | |
| 49 | 70000619 | 1 | Harness, Control Box (Internal) | |
| 49 | 7024489 | 1 | Card, Circuit - Control | |
| | | Ref | Note: Same Circuit Card (p/n 7024489) is used for both 60Hz & 50Hz. When replacing card, rocker switch on card must be set for required application. | |
| 50 | 4811900 | AR | Flatwasher M8 | |
| 51 | 0721004 | 2 | Screw, Machine #10-24NC 1/2in | |
| 52 | 4751000 | 4 | Flatwasher #10 Regular | |
| 53 | 3311005 | 2 | Locknut #10-24NC | |
| 54 | Not Required | 0 | Bracket, Relay Mounting | |
| 55 | Not Required | 0 | Bracket, Control Box Mounting | |
| 56 | 0771415 | AR | Bolt M14 x 35mm | |
| 57 | 0100020 | AR | Sealant, Pipe | |
| | | Ref | JUNCTION BOX ASSEMBLY | |
| | 0861542 | Ref | 60HZ SPECS | D |
| | 0861567 | Ref | 50Hz Specs | B |
| 101 | 0861541 | 1 | Box, Junction | |
| 102 | | Ref | Cable, Electrical 12/3 | |
| 102 | 1060494 | 2 ft/.6m | 60Hz Spec | |
| 102 | See Note | 2 ft/.6m | 50Hz Spec (Note: Not Available - Purchase Locally) | |
| 103 | | Ref | Cable, Electrical 10/3 | |
| 103 | 1060708 | 2.5 ft /0.76m | 60Hz Spec | |
| 103 | See Note | 2.5 ft/0.76m | 50Hz Spec (Note: Not Available - Purchase Locally) | |
| 104 | 1705376 | 1 | Decal - Wiring Schematic | |
| 105 | 3300396 | 1 | Cover, Fuse | |
| 106 | 3310601 | 2 | Nut 6-32NC | |
| 107 | 1060343 | 1.5 ft /0.46m | Cable, Electrical 10/4 (60Hz Spec Only) | |
| 108 | 3641533 | 1 | Rail, Relay | |
| 109 | 3910610 | 2 | Bolt 6-32NC x 5/8in | |
| 110 | 4360070 | 1 | Circuit Breaker - 15Amp | |
| 116 | 4460425 | 2 | Connector, Strain Relief | |

SECTION 2 - TURNTABLE

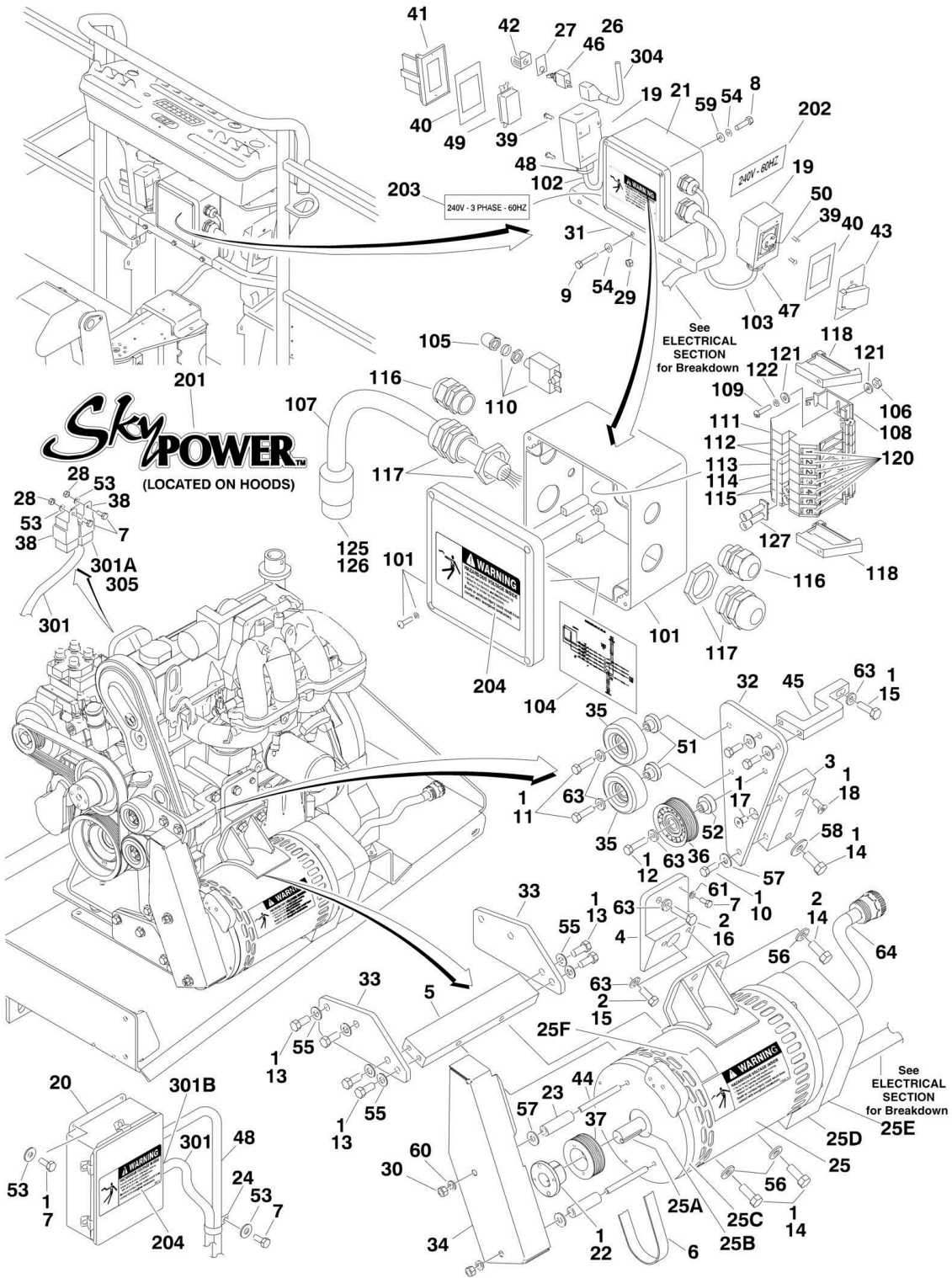
| ITEM | PART NUMBER | QTY | DESCRIPTION | REV |
|------|-------------|-----|--|-----|
| 117 | 4460426 | 2 | Connector, Strain Relief | |
| 121 | 4750600 | 4 | Flatwasher, #6 Regular | |
| 122 | 4760600 | 2 | Lockwasher #6 | |
| 125 | 1671092 | 1 | Cover (60Hz Spec Only) | |
| 126 | 4460963 | 1 | Connector (60Hz Spec Only) | |
| 127 | 3520189 | 1 | Plug (50Hz Spec Only) | |
| 128 | | Ref | Terminal Block Assembly Options (See Items 401-410 for Breakdown): | |
| 128 | NPN | 1 | Gray Terminal Block Assembly | |
| 128 | 1001121340 | 1 | Tan Terminal Block Assembly | |
| | | Ref | DECAL INSTALLATION | |
| | 0272435 | Ref | 60Hz Specs | B |
| | 0272589 | Ref | 50Hz Specs | A |
| 201 | 1705460 | 2 | Decal - SkyPower | |
| 202 | 1705374 | 1 | Decal - 240V - 60Hz (60Hz Spec Only) | |
| 203 | | Ref | Decal - 240V - 3 Phase Options: | |
| 203 | 1705375 | 1 | 60Hz Spec | |
| 203 | 1705461 | 1 | 50Hz Spec | |
| 204 | | Ref | Decal, Hazardous Voltage Options: | |
| 204 | 1705387 | 3 | 60Hz Spec | |
| 204 | 1705489 | 3 | 50Hz Spec | |
| | | Ref | ELECTRICAL DIAGRAM COMPONENTS | |
| | 4933264 | Ref | USA Built Machines (SN 0300087000 through 0300139049) | C |
| | 1001112586 | Ref | USA Built Machines (SN 0300139050 through 0300171769) | A |
| | 1001112586 | Ref | China Built Machines (SN B300000100 to Present) | A |
| 301 | | Ref | Generator Harness Options: | |
| 301 | 4922757 | 1 | Generator Harness (SN 0300087000 through 0300139049) | 3-C |
| 301 | 1001112587 | 1 | Generator Harness (SN 0300139050 through 0300171769) | A |
| 301 | 1001112587 | 1 | China Built Machines (SN B300000100 to Present) | A |
| 301A | 4460374 | 2 | Plug, Sealed Relay | |
| 301A | 4460375 | 7 | Terminal | |
| 301B | 4460967 | 1 | Plug, Male - 3 Position | |
| 301B | 4460465 | 3 | Socket, Female | |
| 301C | 2400060 | 1 | Fuseholder (Not Shown) | |
| 301C | 2400064 | 1 | Fuse - 5Amp (Not Shown) | |
| 304 | 4922641 | 1 | Switch Harness | |
| | | Ref | TERMINAL BLOCK ASSEMBLY | |
| | NPN | Ref | Gray Terminal Block Assembly (Complete Assembly Not Available - Purchase Individual Components) | |
| | 1001121340 | Ref | Tan Terminal Block Assembly | A |
| 401 | | Ref | Marker Strip #1 Options: | |
| 401 | 4460411 | 2 | Gray Terminal Block Assembly | |
| 401 | 70002818 | 2 | Tan Terminal Block Assembly | |
| 402 | | Ref | Marker Strip #2 Options: | |
| 402 | 4460412 | 4 | Gray Terminal Block Assembly | |
| 402 | 70002819 | 4 | Tan Terminal Block Assembly | |
| 403 | | Ref | Marker Strip #3 Options: | |
| 403 | 4460413 | 2 | Gray Terminal Block Assembly | |
| 403 | 70002820 | 2 | Tan Terminal Block Assembly | |
| 404 | | Ref | Marker Strip #4 Options: | |
| 404 | 4460414 | 2 | Gray Terminal Block Assembly | |
| 404 | 70002821 | 2 | Tan Terminal Block Assembly | |

SECTION 2 - TURNTABLE

| ITEM | PART NUMBER | QTY | DESCRIPTION | REV |
|------|-------------|-----|---|-----|
| 405 | | Ref | Marker Strip #5 Options: | |
| 405 | 4460415 | 4 | Gray Terminal Block Assembly | |
| 405 | 70002822 | 4 | Tan Terminal Block Assembly | |
| 406 | | Ref | Terminal, End Barrier Options: | |
| 406 | 4460956 | 1 | Gray Terminal Block Assembly | |
| 406 | 70002823 | 1 | Tan Terminal Block Assembly | |
| 407 | | Ref | Terminal, End Block Options: | |
| 407 | 4460607 | 2 | Gray Terminal Block Assembly | |
| 407 | 70002824 | 2 | Tan Terminal Block Assembly | |
| 408 | | Ref | Terminal, Block Options: | |
| 408 | 4460957 | 7 | Gray Terminal Block Assembly | |
| 408 | 70002825 | 7 | Tan Terminal Block Assembly | |
| 409 | | Ref | Terminal, Cross Connector Jumper Options: | |
| 409 | 4461001 | 2 | Gray Terminal Block Assembly | |
| 409 | 70002826 | 2 | Tan Terminal Block Assembly | |
| 410 | 3641533 | 1 | Rail, Relay | |

SECTION 2 - TURNTABLE

FIGURE 2-31. 7500W SKYPOWER GENERATOR INSTALLATION - FORD ENGINES (OPTIONAL)



SECTION 2 - TURNTABLE

FIGURE 2-31. 7500W SKYPOWER GENERATOR INSTALLATION - FORD ENGINES (OPTIONAL)

| ITEM | PART NUMBER | QTY | DESCRIPTION | REV |
|------|-------------|-----|--|-----|
| | | Ref | Note: Only Available on USA Built Machines. | |
| | 0272817 | Ref | 7500W SKYPOWER GENERATOR INSTALLATION | H |
| | | Ref | Note: See ELECTRICAL SECTION for Boom Cable Installation. | |
| 1 | 0100011 | AR | Compound, Locking | |
| 2 | 0100019 | AR | Compound, Locking | |
| 3 | 0363097 | 1 | Bar, Pulley Mount | |
| 4 | 0363201 | 1 | Bar, Generator Mount (Top) | |
| 5 | 0363202 | 1 | Bar, Generator Mount (Bottom) | |
| 6 | 0480130 | 1 | Belt, Generator | |
| 7 | 0641405 | 8 | Bolt 1/4in-20NC x 5/8in | |
| 8 | 0641505 | 4 | Bolt 5/16in-18NC x 5/8in | |
| 9 | 0641516 | 3 | Bolt 5/16in-18NC x 2in | |
| 10 | 0641608 | 3 | Bolt 3/8in-16NC x 1in | |
| 11 | 0641611 | 2 | Bolt 3/8in-16NC x 1-3/8in | |
| 12 | 0641612 | 1 | Bolt 3/8in-16NC x 1-1/2in | |
| 13 | 0641708 | 8 | Bolt 7/16in-14NC x 1in | |
| 14 | 0641810 | 5 | Bolt 1/2in-13NC x 1-1/4in | |
| 15 | 0701015 | 2 | Bolt M10 x 35mm | |
| 16 | 0701016 | 1 | Bolt M10 x 40mm | |
| 17 | 0741606 | 1 | Screw, Flathead Countersunk 3/8in-16NC x 3/4in | |
| 18 | 0741808 | 1 | Screw, Flathead Countersunk 1/2in-13NC x 1in | |
| 19 | 0860038 | 2 | Box, Switch | |
| 20 | 0861538 | 1 | Control Box Assembly (Was p/n 7024487): | |
| 20 | 7024488 | 1 | Card, Circuit - Generator Power | |
| 20 | See Note | NSS | Fuse (Note: Not Available - Purchase Locally) | |
| 20 | 7024489 | 1 | Card, Circuit - Control (Includes Harness) | |
| 20 | 70000619 | 1 | Harness, Control Box (Internal) | |
| 21 | 0861542 | 1 | Junction Box Assembly (See Items 201-222 for Breakdown) | |
| 22 | 0962520 | 1 | Bushing, Split Taper | |
| 23 | 0962521 | 2 | Spacer, Tube | |
| 24 | 1320224 | 1 | Clamp | |
| 25 | 2460048 | 1 | Generator Assembly | |
| 25 | 70001100 | 1 | Rotor (Includes p/n 70001384 & 70000863) (Not Shown) | |
| 25 | 70001384 | 1 | Bearing, Ball Radial (Not Shown) | |
| 25 | 70000863 | 1 | Fan (Not Shown) | |
| 25 | 70002088 | 1 | Stator Options (Not Shown): | |
| 25 | 70002297 | 1 | Stud | |
| 25 | 70003631 | 1 | Brushholder Assembly (Not Shown) (was p/n 7024484) | |
| 25A | 70004171 | 1 | Key (was p/n 7024561) | |
| 25B | 70001966 | 1 | Bearing, Ball Radial (Located in Belt Tensioner Endbell) | |
| 25C | 70001953 | 1 | Endbell, Belt Tensioner | |
| 25D | 70004169 | 1 | Endbell, Brush Block (was p/n 70001385) | |
| 25E | 70004169 | 1 | Shroud (was p/n 70002290) | |
| 25E | 7027799 | 1 | Block, Connector 6 Position (Not Shown) | |
| 25E | 70002460 | 1 | Nut, Brass (Attaches p/n 7027799 to Cover) (Not Shown) | |
| 25E | 7024485 | 1 | Breaker, Circuit 30Amp (Not Shown) | |
| 25E | 70001696 | 1 | Boot, Breaker (was p/n 7024486 - Not Shown) | |
| 25E | 7026597 | 1 | Connector, with Leads (Not Shown) | |
| 25E | 7026626 | 1 | Housing Plug and Pins (Not Shown) | |
| 25E | 7026188 | 1 | Clamp, Cable (Not Shown) | |

SECTION 2 - TURNTABLE

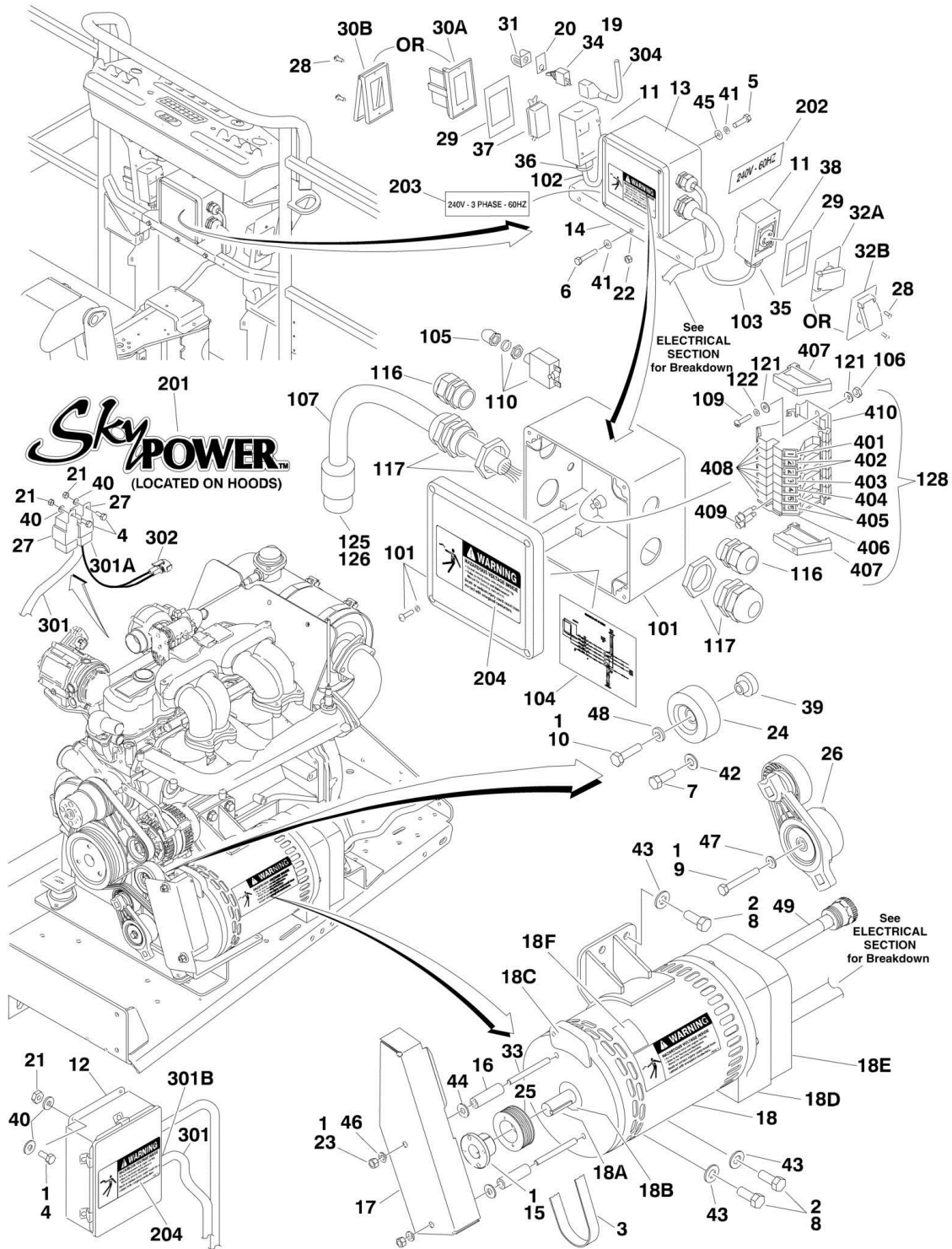
| ITEM | PART NUMBER | QTY | DESCRIPTION | REV |
|------|-------------|------------------|--|-----|
| 25E | 70004169 | 1 | Plate, End Panel (was p/n 70002255) | |
| 25E | 70001974 | 1 | Decal - Terminal Connections | |
| 25F | 70001973 | 1 | Decal - Warning Moving Parts | |
| 26 | 2820031 | 1 | Insulator | |
| 27 | 3252764 | 1 | Nameplate | |
| 28 | 3311405 | 6 | Locknut 1/4in-20NC | |
| 29 | 3311505 | 3 | Locknut 5/16in-18NC | |
| 30 | 3311601 | 2 | Nut 3/8in-16NC | |
| 31 | 0902888 | 1 | Bracket, Box Mounting | |
| 32 | 3574225 | 1 | Plate, Pulley Mounting | |
| 33 | 3574229 | 2 | Plate, Gusset Generator Mounting | |
| 34 | 3574262 | 1 | Plate, Shield | |
| 35 | 3580312 | 2 | Pulley, Idler | |
| 36 | 3580313 | 1 | Pulley, Idler Grooved | |
| 37 | 3580314 | 1 | Pulley, Drive Grooved | |
| 38 | 3740080 | 2 | Relay | |
| 39 | 3910606 | 8 | Screw #6-32NC x 3/8in | |
| 40 | 3960422 | 2 | Gasket | |
| 41 | | Ref | Cover, Receptacle Options: | |
| 41 | 4060700 | 1 | Cover, Receptacle (SN 0300087000 through 0300138240) | |
| 41 | 1001110873 | 1 | Cover, Receptacle (SN 0300138241 through 0300171769) | |
| 42 | 4060802 | 1 | Guard, Switch | |
| 43 | | Ref | Cover, Receptacle Options: | |
| 43 | 4061043 | 1 | Cover, Receptacle (SN 0300087000 through 0300138240) | |
| 43 | 1001110872 | 1 | Cover, Receptacle (SN 0300138241 to Present) | |
| 44 | 4300111 | 2 | Stud, Chain Assembly | |
| 45 | 4340738 | 1 | Support, Idler Pulley Mount | |
| 46 | 4360336 | 1 | Switch, Toggle | |
| 47 | 4460051 | 1 | Connector, Strain Relief | |
| 48 | 4460071 | 1 | Connector, Strain Relief | |
| 49 | 4460346 | 1 | Receptacle | |
| 50 | 4460958 | 1 | Receptacle, Female Twist-Lock | |
| 51 | 4568734 | 2 | Tube, Spacer Pulley | |
| 52 | 4568735 | 1 | Tube, Spacer Pulley Grooved | |
| 53 | 4711400 | 11 | Flatwasher 1/4in Thin | |
| 54 | 4711500 | 10 | Flatwasher 5/16in Thin | |
| 55 | 4711700 | 8 | Flatwasher 7/16in Thin | |
| 56 | 4711800 | 4 | Flatwasher 1/2in Thin | |
| 57 | 4751600 | 5 | Flatwasher 3/8in Regular | |
| 58 | 4751800 | 1 | Flatwasher 1/2in Regular | |
| 59 | 4761500 | 4 | Lockwasher 5/16in | |
| 60 | 4761600 | 2 | Lockwasher 3/8in | |
| 61 | 4791400 | 1 | Starwasher 1/4in | |
| 63 | 4891600 | 6 | Flatwasher 3/8in Hardened | |
| 64 | 4922925 | 1 | Harness, Generator | |
| | 0861542 | Ref | JUNCTION BOX ASSEMBLY | C |
| 101 | 0861541 | 1 | Box, Junction | |
| 102 | 1060494 | 2 ft/.6m | Cable, Electrical 12/3 | |
| 103 | 1060708 | 2.5 ft /0.76m | Cable, Electrical 10/3 | |
| 104 | 1705376 | 1 | Decal - Wiring Schematic | |
| 105 | 3300396 | 1 | Cover, Fuse | |

SECTION 2 - TURNTABLE

| ITEM | PART NUMBER | QTY | DESCRIPTION | REV |
|------|-------------|------------------|--------------------------------------|------------|
| 106 | 3310601 | 2 | Nut 6-32NC | |
| 107 | 1060343 | 1.5 ft /0.46m | Cable, Electrical 10/4 | |
| 108 | 3641533 | 1 | Rail, Relay | |
| 109 | 3910610 | 2 | Bolt 6-32NC x 5/8in | |
| 110 | 4360070 | 1 | Circuit Breaker - 15Amp | |
| 111 | 4460411 | 2 | Marker Strip #1 | |
| 112 | 4460412 | 4 | Marker Strip #2 | |
| 113 | 4460413 | 2 | Marker Strip #3 | |
| 114 | 4460414 | 2 | Marker Strip #4 | |
| 115 | 4460415 | 4 | Marker Strip #5 | |
| 116 | 4460425 | 2 | Strain Relief, Terminal | |
| 117 | 4460426 | 2 | Connector, Strain Relief | |
| 118 | 4460607 | 2 | Terminal, End Stop | |
| 119 | 4460956 | 1 | Terminal, Block End | |
| 120 | 4460957 | 7 | Terminal, Block | |
| 121 | 4750600 | 4 | Flatwasher, #6 Regular | |
| 122 | 4760600 | 2 | Lockwasher #6 | |
| 125 | 1671092 | 1 | Cover | |
| 126 | 4460963 | 1 | Connector | |
| 127 | 4461001 | 2 | Cross Connector - 2 Position | |
| | 0272435 | Ref | DECAL INSTALLATION | A |
| 201 | 1705460 | 2 | Decal - SkyPower | |
| 202 | 1705374 | 1 | Decal - 240V - 60Hz | |
| 203 | 1705375 | 1 | Decal - 240V - 3 Phase | |
| 204 | 1705387 | 3 | Decal, Hazardous Voltage | |
| | 4933283 | Ref | ELECTRICAL DIAGRAM COMPONENTS | 1-A 2-B |
| 301 | 4922905 | 1 | Generator Harness | |
| 301A | 4460374 | 2 | Plug, Sealed Relay | |
| 301A | 4460375 | 7 | Terminal | |
| 301B | 4460967 | 1 | Plug, Male - 3 Position | |
| 301B | 4460465 | 3 | Socket, Female | |
| 301C | 2400060 | 2 | Fuseholder (Not Shown) | |
| 301C | 2400064 | 2 | Fuse - 5Amp (Not Shown) | |
| 304 | 4922641 | 1 | Switch Harness | |
| 305 | 4460375 | 1 | Terminal | |

SECTION 2 - TURNTABLE

FIGURE 2-32. 7500W SKYPOWER GENERATOR INSTALLATION - GM ENGINES (OPTIONAL)



SECTION 2 - TURNTABLE

FIGURE 2-32. 7500W SKYPOWER GENERATOR INSTALLATION - GM ENGINES (OPTIONAL)

| ITEM | PART NUMBER | QTY | DESCRIPTION | REV |
|------|-------------|-----|--|-----|
| | | Ref | Note: Only Available on USA Built Machines. | |
| | 0275257 | Ref | 7500W SKYPOWER GENERATOR INSTALLATION | F |
| | | Ref | Note: See ELECTRICAL SECTION for Boom Cable Installation. | |
| 1 | 0100011 | AR | Compound, Locking | |
| 2 | 0100019 | AR | Compound, Locking | |
| 3 | 0480142 | 1 | Belt, Generator | |
| 4 | 0641405 | 6 | Bolt 1/4in-20NC x 5/8in | |
| 5 | 0641505 | 4 | Bolt 5/16in-18NC x 5/8in | |
| 6 | 0641516 | 3 | Bolt 5/16in-18NC x 2in | |
| 7 | 0641608 | AR | Bolt 3/8in-16NC x 1in | |
| 8 | | Ref | Bolt Options: | |
| 8 | 0641810 | 4 | Bolt 1/2in-13NC x 1-1/4in | |
| 8 | 0641808 | 4 | Bolt 1/2in-13NC x 1in | |
| 9 | 0700820 | 1 | Bolt M8 x 60mm | |
| 10 | 0701016 | 1 | Bolt M10 x 40mm | |
| 11 | 0860038 | 2 | Box, Switch | |
| 12 | 0861538 | 1 | Control Box Assembly | |
| 12 | 7024488 | 1 | Card, Circuit - Generator Power | |
| 12 | See Note | NSS | Fuse (Note: Not Available - Purchase Locally) | |
| 12 | 7024489 | 1 | Card, Circuit - Control | |
| 12 | 70000619 | 1 | Harness, Control Box (Internal) | |
| 13 | 0861542 | 1 | Junction Box Assembly (See Items 101-127 for Breakdown) | |
| 14 | 0902888 | 1 | Bracket, Box Mounting | |
| 15 | 0962520 | 1 | Bushing, Split Taper | |
| 16 | 0962521 | 2 | Spacer, Tube (SN 0300087000 through 0300171769) | |
| 17 | 1671311 | 1 | Cover, Generator Belt (SN 0300087000 through 0300171769) | |
| 18 | 2460048 | 1 | Generator Assembly | |
| 18 | 70001100 | 1 | Rotor (Includes p/n 70001384 & 70000863) (Not Shown) | |
| 18 | 70001384 | 1 | Bearing, Ball Radial (Not Shown) | |
| 18 | 70000863 | 1 | Fan (Not Shown) | |
| 18 | 70002088 | 1 | Stator Options (Not Shown): | |
| 18 | 70002297 | 1 | Stud | |
| 18 | 70003631 | 1 | Brushholder Assembly (Not Shown) (was p/n 7024484) | |
| 18A | 70004171 | 1 | Key (was p/n 7024561) | |
| 18B | 70001966 | 1 | Bearing, Ball Radial (Located in Belt Tensioner Endbell) | |
| 18C | 70001953 | 1 | Endbell, Belt Tensioner | |
| 18D | 70004169 | 1 | Endbell, Brush Block (was p/n 70001385) | |
| 18E | 70004169 | 1 | Shroud (was p/n 70002290) | |
| 18E | 7027799 | 1 | Block, Connector 6 Position (Not Shown) | |
| 18E | 70002460 | 1 | Nut, Brass (Attaches p/n 7027799 to Cover) (Not Shown) | |
| 18E | 7024485 | 1 | Breaker, Circuit 30Amp (Not Shown) | |
| 18E | 70001696 | 1 | Boot, Breaker (was p/n 7024486 - Not Shown) | |
| 18E | 7026597 | 1 | Connector, with Leads (Not Shown) | |
| 18E | 7026626 | 1 | Housing Plug and Pins (Not Shown) | |
| 18E | 7026188 | 1 | Clamp, Cable (Not Shown) | |
| 18E | 70004169 | 1 | Plate, End Panel (was p/n 70002255) | |
| 18E | 70001974 | 1 | Decal - Terminal Connections | |
| 18F | 70001973 | 1 | Decal - Warning Moving Parts | |
| 19 | 2820031 | 1 | Insulator | |
| 20 | 3252764 | 1 | Nameplate | |

SECTION 2 - TURNTABLE

| ITEM | PART NUMBER | QTY | DESCRIPTION | REV |
|------|-------------|------------------|--|-----|
| 21 | 3311405 | 6 | Locknut 1/4in-20NC | |
| 22 | 3311505 | 3 | Locknut 5/16in-18NC | |
| 23 | 3311601 | 2 | Nut 3/8in-16NC (SN 0300087000 through 0300171769) | |
| 24 | 3580312 | 2 | Pulley, Idler | |
| 25 | 3580314 | 1 | Pulley, Drive Grooved | |
| 26 | 3580348 | 1 | Tensioner, Belt with Pulley | |
| 27 | 3740080 | 2 | Relay | |
| 28 | 3910606 | 8 | Screw #6-32NC x 3/8in | |
| 29 | 3960422 | 2 | Gasket | |
| 30 | | Ref | Cover, Receptacle Options: | |
| 30A | 4060700 | 1 | Cover, Side Hinged | |
| 30B | 1001110873 | 1 | Cover, Top Hinged | |
| 31 | 4060802 | 1 | Guard, Switch | |
| 32 | | Ref | Cover, Receptacle Options: | |
| 32A | 4061043 | 1 | Cover, Side Hinged | |
| 32B | 1001110872 | 1 | Cover, Top Hinged | |
| 33 | 4300111 | 2 | Stud, Chain Assembly (SN 0300087000 through 0300171769) | |
| 34 | 4360336 | 1 | Switch, Toggle | |
| 35 | 4460051 | 1 | Connector, Strain Relief | |
| 36 | 4460071 | 1 | Connector, Strain Relief | |
| 37 | 4460346 | 1 | Receptacle | |
| 38 | 4460958 | 1 | Receptacle, Female Twist-Lock | |
| 39 | 4568735 | 1 | Tube, Spacer Pulley Grooved | |
| 40 | 4711400 | 10 | Flatwasher 1/4in Thin | |
| 41 | 4711500 | 10 | Flatwasher 5/16in Thin | |
| 42 | 4711600 | AR | Flatwasher 3/8in Thin | |
| 43 | 4711800 | 4 | Flatwasher 1/2in Thin | |
| 44 | 4751600 | 2 | Flatwasher 3/8in Regular (SN 0300087000 through 0300171769) | |
| 45 | 4761500 | 4 | Lockwasher 5/16in | |
| 46 | 4761600 | 2 | Lockwasher 3/8in (SN 0300087000 through 0300171769) | |
| 47 | 4811900 | 1 | Flatwasher M8 | |
| 48 | 4891600 | 1 | Flatwasher 3/8in Hardened | |
| 49 | 4922925 | 1 | Harness, Generator | |
| | 0861542 | Ref | JUNCTION BOX ASSEMBLY | D |
| 101 | 0861541 | 1 | Box, Junction | |
| 102 | 1060494 | 2 ft/.6m | Cable, Electrical 12/3 | |
| 103 | 1060708 | 2.5 ft /0.76m | Cable, Electrical 10/3 | |
| 104 | 1705376 | 1 | Decal - Wiring Schematic | |
| 105 | 3300396 | 1 | Cover, Fuse | |
| 106 | 3310601 | 2 | Nut 6-32NC | |
| 107 | 1060343 | 1.5 ft /0.46m | Cable, Electrical 10/4 | |
| 108 | 3641533 | 1 | Rail, Relay | |
| 109 | 3910610 | 2 | Bolt 6-32NC x 5/8in | |
| 110 | 4360070 | 1 | Circuit Breaker - 15Amp | |
| 116 | 4460425 | 2 | Strain Relief, Terminal | |
| 117 | 4460426 | 2 | Connector, Strain Relief | |
| 121 | 4750600 | 4 | Flatwasher, #6 Regular | |
| 122 | 4760600 | 2 | Lockwasher #6 | |
| 125 | 1671092 | 1 | Cover | |
| 126 | 4460963 | 1 | Connector | |

SECTION 2 - TURNTABLE

| ITEM | PART NUMBER | QTY | DESCRIPTION | REV |
|------|-------------|-----|--|-----|
| 128 | | Ref | Terminal Block Assembly Options (See Items 401-410 for Breakdown): | |
| 128 | NPN | 1 | Gray Terminal Block Assembly | |
| 128 | 1001121340 | 1 | Tan Terminal Block Assembly | |
| | 0272435 | Ref | DECAL INSTALLATION | A |
| 201 | 1705460 | 2 | Decal - SkyPower | |
| 202 | 1705374 | 1 | Decal - 240V - 60Hz | |
| 203 | 1705375 | 1 | Decal - 240V - 3 Phase | |
| 204 | 1705387 | 3 | Decal, Hazardous Voltage | |
| | 4933349 | Ref | ELECTRICAL DIAGRAM COMPONENTS | A |
| 301 | 4923420 | 1 | Generator Harness | A |
| 301A | 4460374 | 2 | Plug, Sealed Relay | |
| 301A | 4460375 | 8 | Terminal | |
| 301B | 4460967 | 1 | Plug, Male - 3 Position | |
| 301B | 4460465 | 3 | Socket, Female | |
| 301C | 2400060 | 2 | Fuseholder (Not Shown) | |
| 301C | 2400064 | 2 | Fuse - 5Amp (Not Shown) | |
| 302 | 4460742 | 1 | Connector - 2 Position | |
| 302 | 4460743 | 2 | Socket, Female | |
| 302 | 4460458 | 2 | Seal | |
| 304 | 4922641 | 1 | Switch Harness | |
| | | Ref | TERMINAL BLOCK ASSEMBLY | |
| | NPN | Ref | Gray Terminal Block Assembly (Complete Assembly Not Available - Purchase Individual Components) | |
| | 1001121340 | Ref | Tan Terminal Block Assembly | A |
| 401 | | Ref | Marker Strip #1 Options: | |
| 401 | 4460411 | 2 | Gray Terminal Block Assembly | |
| 401 | 70002818 | 2 | Tan Terminal Block Assembly | |
| 402 | | Ref | Marker Strip #2 Options: | |
| 402 | 4460412 | 4 | Gray Terminal Block Assembly | |
| 402 | 70002819 | 4 | Tan Terminal Block Assembly | |
| 403 | | Ref | Marker Strip #3 Options: | |
| 403 | 4460413 | 2 | Gray Terminal Block Assembly | |
| 403 | 70002820 | 2 | Tan Terminal Block Assembly | |
| 404 | | Ref | Marker Strip #4 Options: | |
| 404 | 4460414 | 2 | Gray Terminal Block Assembly | |
| 404 | 70002821 | 2 | Tan Terminal Block Assembly | |
| 405 | | Ref | Marker Strip #5 Options: | |
| 405 | 4460415 | 4 | Gray Terminal Block Assembly | |
| 405 | 70002822 | 4 | Tan Terminal Block Assembly | |
| 406 | | Ref | Terminal, End Barrier Options: | |
| 406 | 4460956 | 1 | Gray Terminal Block Assembly | |
| 406 | 70002823 | 1 | Tan Terminal Block Assembly | |
| 407 | | Ref | Terminal, End Block Options: | |
| 407 | 4460607 | 2 | Gray Terminal Block Assembly | |
| 407 | 70002824 | 2 | Tan Terminal Block Assembly | |
| 408 | | Ref | Terminal, Block Options: | |
| 408 | 4460957 | 7 | Gray Terminal Block Assembly | |
| 408 | 70002825 | 7 | Tan Terminal Block Assembly | |
| 409 | | Ref | Terminal, Cross Connector Jumper Options: | |
| 409 | 4461001 | 2 | Gray Terminal Block Assembly | |
| 409 | 70002826 | 2 | Tan Terminal Block Assembly | |

SECTION 2 - TURNTABLE

| ITEM | PART NUMBER | QTY | DESCRIPTION | REV |
|------|-------------|-----|-------------|-----|
| 410 | 3641533 | 1 | Rail, Relay | |

SECTION 3 - BOOM

SECTION 3 - BOOM

FIGURE 3-1. BOOM INSTALLATION - 600S

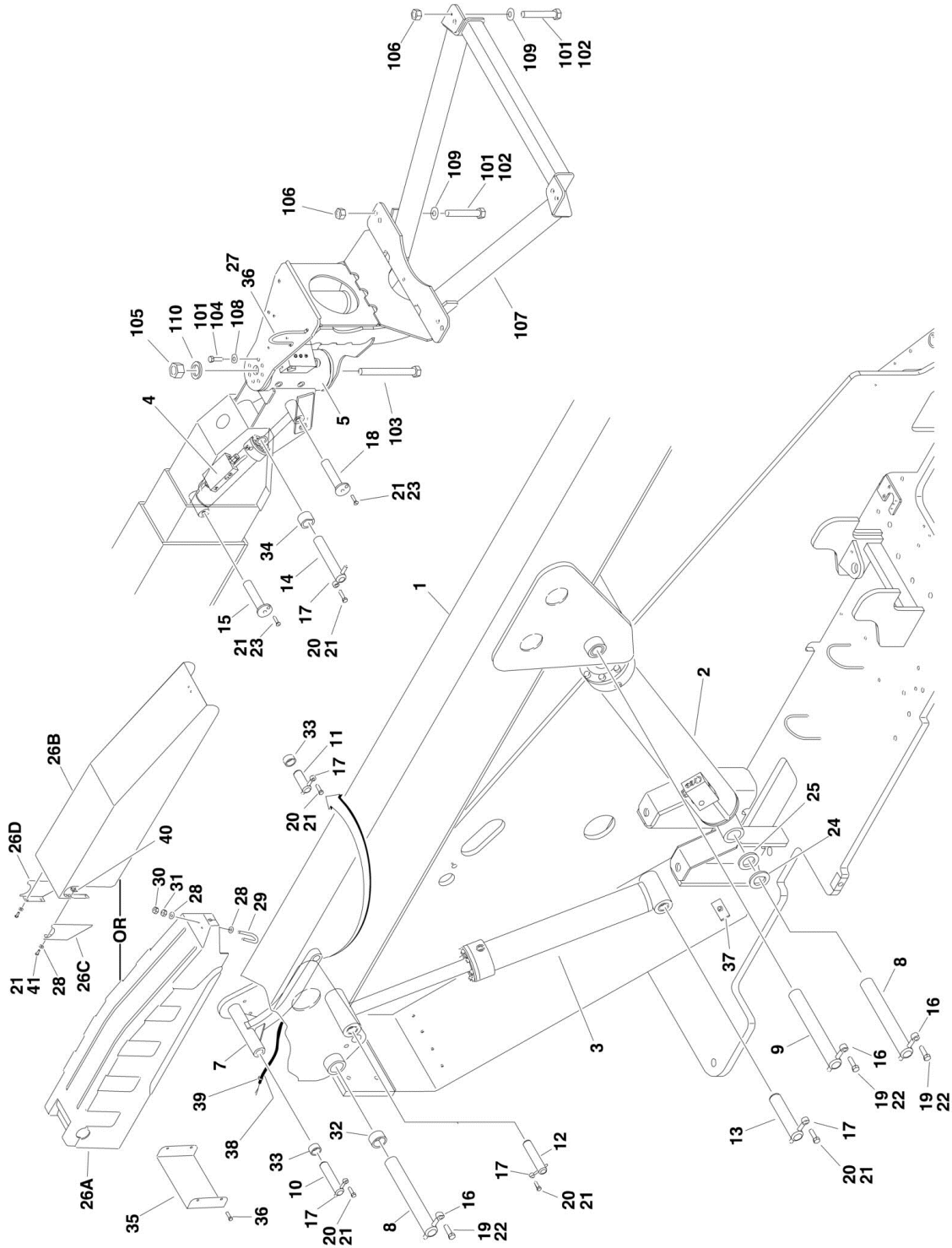


FIGURE 3-1. BOOM INSTALLATION - 600S

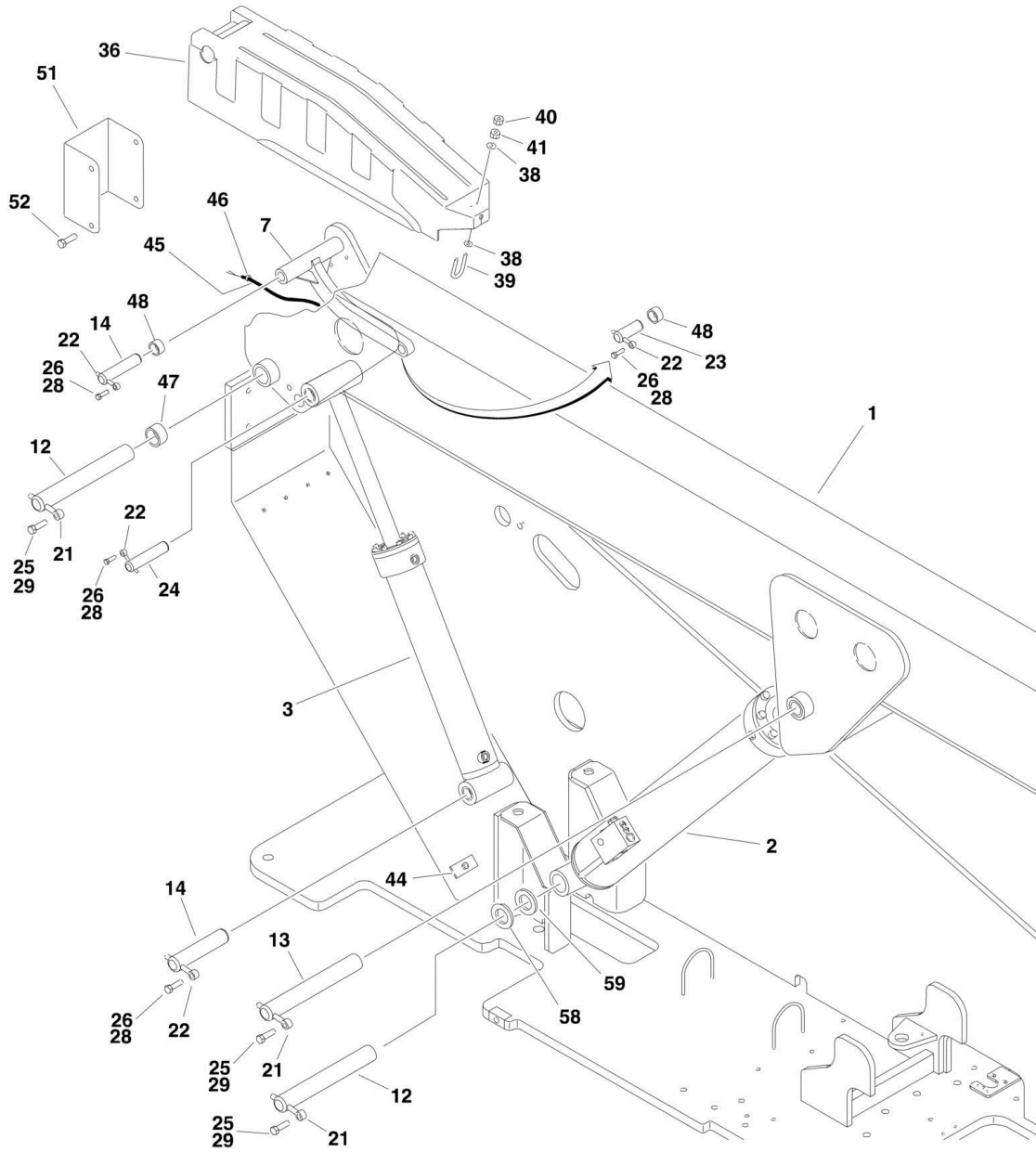
| ITEM | PART NUMBER | QTY | DESCRIPTION | REV |
|------|-------------|-----|--|-----|
| | | Ref | BOOM AND CYLINDERS INSTALLATION | |
| | | Ref | USA Built Machines (SN 0300087000 through 0300137550) | |
| | 0273369 | Ref | ANSI and ANSI Export Specs | 3 |
| | 0272132 | Ref | Australian and CE Specs | 6 |
| | 1001108341 | Ref | USA Built Machines (SN 0300137551 through 0300171769) | F |
| | 1001121410 | Ref | USA Built Machines with Shipyard Package | E |
| | 1001108341 | Ref | China Built Machines (SN B300000100 to Present) | F |
| 1 | See Note | 1 | Boom Assembly (See MAIN BOOM ASSEMBLIES for Breakdown) | |
| 2 | | Ref | Boom Lift Cylinder Assembly Options (See CYLINDER SECTION for Breakdown): | |
| 2 | 1683666 | NLA | USA Built Machines (Use p/n 100112468) (SN 0300087000 through 0300138401) | |
| 2 | 100112468 | 1 | USA Built Machines (SN 0300138402 through 0300171769) | |
| 2 | 100112468 | 1 | China Built Machines (SN B300000100 to Present) | |
| 3 | | Ref | Master Cylinder Assembly Options (See CYLINDER SECTION for Breakdown): | |
| 3 | 1683266 | 1 | USA Built Machines (SN 0300087000 through 0300096978) | |
| 3 | 1684414 | 1 | USA Built Machines (SN 0300096979 through 0300171769) | |
| 3 | 1684414 | 1 | China Built Machines (SN B300000100 through B300000816) | |
| 3 | 1001140593 | 1 | China Built Machines (SN B300000817 through B300000858) | |
| 3 | 1684414 | 1 | China Built Machines (SN B300000859 to Present) | |
| 4 | | Ref | Platform Level Cylinder Assembly Options (See CYLINDER SECTION for Breakdown) | |
| 4 | 1683415 | NLA | USA Built Machines (Use p/n 1001228008) (Original Equipment) | |
| 4 | 1001223512 | NLA | USA Built Machines (Use p/n 1001228008) (Service Replacement) | |
| 4 | 1683415 | 1 | China Built Machines (SN B300000100 through B300000816) | |
| 4 | 1001140591 | 1 | China Built Machines (SN B300000817 through B300000858) | |
| 4 | 1683415 | NLA | China Built Machines (Use p/n 1001228008) (SN B300000859 to Present) | |
| 4 | 1001223512 | NLA | China Built Machines (Use p/n 1001228008) (Service Replacement) | |
| 5 | 0060067 | NLA | Rotator Assembly (Use p/n 1001181057) (See ROTATOR ASSEMBLIES for Breakdown) | |
| 7 | 4844944 | NLA | Link, Push (Use p/n 1001094043) | |
| 8 | 3422564 | 2 | Pin (Cylinder Pivot - T/T End and Boom Pivot) | |
| 9 | | Ref | Pin (Lift Cylinder Pivot - Boom End) Options: | |
| 9 | 3422568 | 1 | USA Built Machines (SN 0300087000 through 0300096978) | |
| 9 | 3423184 | 1 | USA Built Machines (SN 0300096979 through 0300171769) | |
| 9 | 3423184 | 1 | China Built Machines (SN B300000100 to Present) | |
| 10 | 3422566 | 1 | Pin (Link - T/T End) | |
| 11 | 3422557 | 1 | Pin (Link - Boom End) | |
| 12 | | Ref | Pin (Master Cylinder - Boom End) Options: | |
| 12 | 3422567 | 1 | USA Built Machines (SN 0300087000 through 0300096978) | |
| 12 | 3422563 | 1 | USA Built Machines (SN 0300096979 through 0300171769) | |
| 12 | 3422563 | 1 | China Built Machines (SN B300000100 to Present) | |
| 13 | 3422565 | 1 | Pin (Master Cylinder - T/T End) | |
| 14 | 3422562 | 1 | Pin (Rotator) | |
| 15 | 3422569 | 1 | Pin (Level Cylinder - Boom End) | |
| 16 | 3841258 | 3 | Keeper, Pin | |

SECTION 3 - BOOM

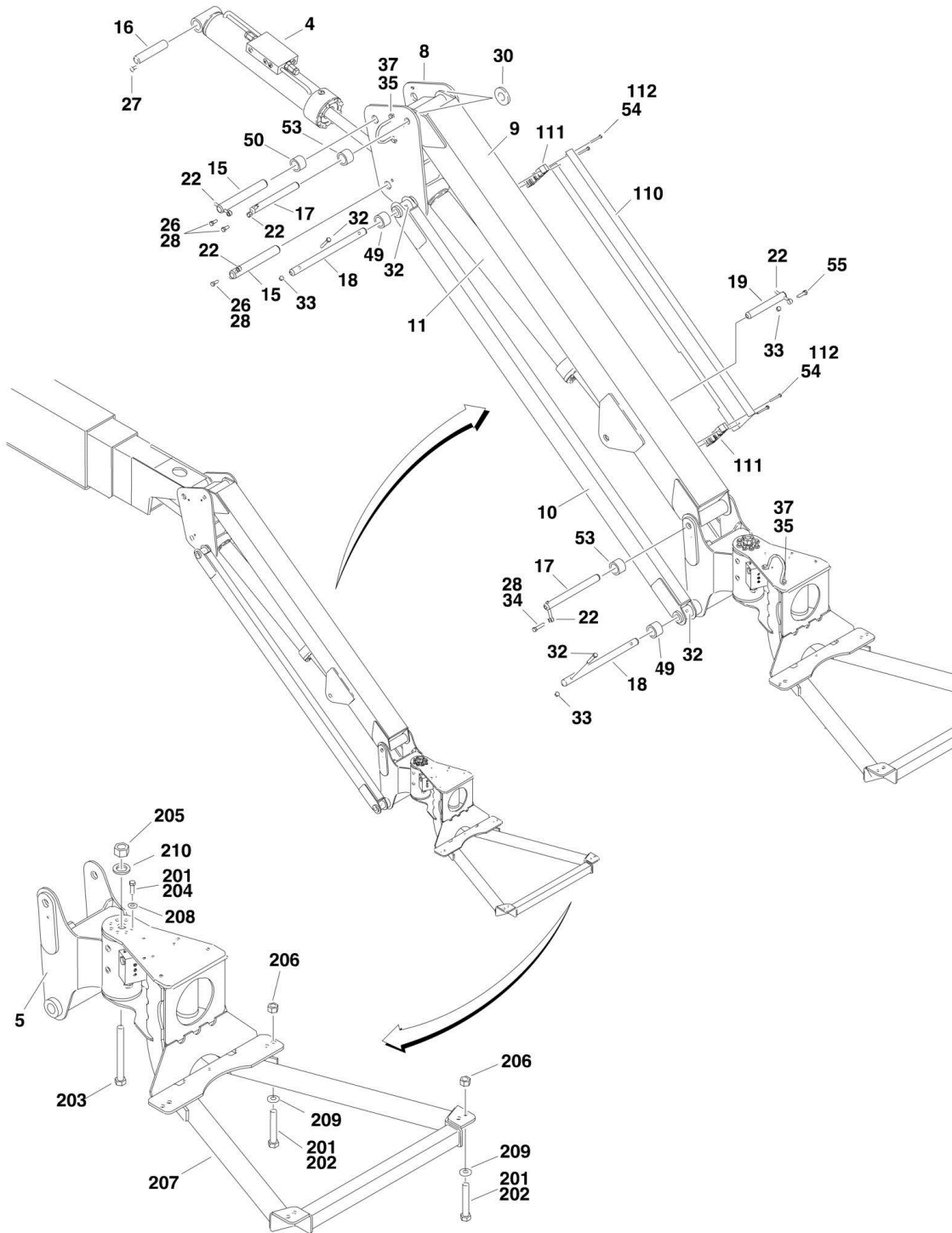
| ITEM | PART NUMBER | QTY | DESCRIPTION | REV |
|------|-------------|----------|---|-----|
| 17 | 3841143 | 5 | Keeper, Pin | |
| 18 | 3422580 | 1 | Pin (Level Cylinder - Rotator End) | |
| 19 | 0642012 | 3 | Bolt 5/8in-11NC x 1-1/2in | |
| 20 | 0641608 | 5 | Bolt 3/8in-16NC x 1in | |
| 21 | 0100011 | AR | Compound, Locking | |
| 22 | 0100019 | AR | Compound, Locking | |
| 23 | 0741607 | 2 | Screw, Countersunk 3/8in-16NC x 7/8in | |
| 24 | 4740314 | AR | Thrustwasher | |
| 25 | 4740158 | AR | Thrustwasher | |
| 26 | | Ref | Cover, Boom Options: | |
| 26A | 1671055 | NLA | Cover, Black Poly (Use p/n 1001148925) | |
| 26B | 1001122472 | 1 | Cover, Steel (Machines with Shipyard Package Only) | |
| 26C | 1001127195 | 1 | Bracket, LH Cover (Machines with Shipyard Package Only) | |
| 26D | 1001127196 | 1 | Bracket, RH Cover (Machines with Shipyard Package Only) | |
| 27 | 3841340 | 1 | Loop, Hose | |
| 28 | 4751400 | 4 | Flatwasher 1/4in Regular (China Built Machines) (SN B300000100 through B300000778) | |
| 29 | 0630458 | 1 | U-Bolt (China Built Machines) (SN B300000100 through B300000778) | |
| 30 | 3311402 | 4 | Nut, Jam 1/4in-20NC (China Built Machines) (SN B300000100 through B300000778) | |
| 31 | 3311405 | 2 | Locknut 1/4in-20NC (China Built Machines) (SN B300000100 through B300000778) | |
| 32 | 0961950 | 2 | Bushing | |
| 33 | 0962006 | 3 | Bushing | |
| 34 | 0961951 | 2 | Bushing | |
| 35 | 3539563 | 1 | Cover (China Built Machines) (SN B300000100 through B300000778) | |
| 36 | 0641604 | AR | Bolt 3/8in-16NC x 1/2in | |
| 37 | 1320235 | 1 | Clamp, Stauff | |
| 38 | 4100033 | 2 ft/.3m | Sleeve | |
| 39 | 4240033 | 2 | Tie-Strap | |
| 40 | 3300454 | 4 | Nut, Special | |
| 41 | 0641406 | 4 | Bolt 1/4in-20NC x 3/4in | |
| | | Ref | SUPPORT INSTALLATIONS (SIDE ENTRY PLATFORM) | |
| | 0272070 | Ref | Machines without Load Sensing and without SkyGlazier. | D |
| | See Note | Ref | Machines without Load Sensing and with SkyGlazier (Note: Refer to JLG Supplement p/n 3124242 for Components) | |
| | See Note | Ref | Machines with Load Sensing and without SkyGlazier (Note: Refer to JLG Supplement p/n 3124287 for Components) | |
| | See Note | Ref | Machines with Load Sensing and with SkyGlazier (Note: Refer to JLG Supplement p/n 3124287 for Components) | |
| 101 | 0100011 | AR | Compound, Locking | |
| 102 | 0641812 | 8 | Bolt 1/2in-13NC x 1-1/2in | |
| 103 | 0642684 | 1 | Bolt 1in-8NC x 10-1/2in | |
| 104 | 0681608 | 8 | Bolt 3/8in-16NC x 1in (Grade 8) | |
| 105 | 3272605 | 1 | Locknut 1in-8NC | |
| 106 | 3311805 | 8 | Locknut 1/2in-13NC | |
| 107 | 4846573 | 1 | Support, Platform | |
| 108 | 4891600 | 8 | Flatwasher 3/8in Hardened | |
| 109 | 4891800 | 8 | Flatwasher 1/2in Hardened | |
| 110 | 4892600 | 1 | Flatwasher 1in Hardened | |

SECTION 3 - BOOM

FIGURE 3-2. BOOM INSTALLATION - 600SJ & 660SJ



SECTION 3 - BOOM



SECTION 3 - BOOM

FIGURE 3-2. BOOM INSTALLATION - 600SJ & 660SJ

| ITEM | PART NUMBER | QTY | DESCRIPTION | REV |
|------|--|-----|--|-------|
| | | Ref | BOOM AND CYLINDERS INSTALLATIONS - 600SJ & 660SJ | |
| | | Ref | USA Built Machines (SN 0300087000 through 0300137550) | |
| | 0272139 | Ref | Boom and Cylinders Installations 600SJ ANSI and ANSI Export Specs | 7 |
| | 0272134 | Ref | Boom and Cylinders Installations 600SJ Australian and CE Specs | 8 |
| | 0272137 | Ref | Boom and Cylinders Installations 660SJ ANSI and ANSI Export Specs | 7 |
| | 0272130 | Ref | Boom and Cylinders Installations 660SJ Australian and CE Specs | 8 |
| | 1001108342 | Ref | USA Built Machines (SN 0300137551 through 0300171769) | C |
| | 1001115359 AND 1001115357 AND 1001113429 | Ref | China Built Machines (SN B300000100 to Present) | D-D-D |
| 1 | See Note | 1 | Boom Assembly (See MAIN BOOM ASSEMBLIES for Breakdown) | |
| 2 | | Ref | Boom Lift Cylinder Assembly Options (See CYLINDER SECTION for Breakdown): | |
| 2 | 1683666 | NLA | USA Built Machines (Use p/n 1001112468) (SN 0300087000 through 0300138401) | |
| 2 | 1001112468 | 1 | USA Built Machines (SN 0300138402 through 0300171769) | |
| 2 | 1001112468 | 1 | China Built Machines (SN B300000100 to Present) | |
| 3 | | Ref | Master Cylinder Assembly Options (See CYLINDER SECTION for Breakdown): | |
| 3 | 1683263 | 1 | USA Built Machines (SN 0300087000 through 0300096978) | |
| 3 | 1684413 | NLA | USA Built Machines (Use p/n 1001228052) (Original Equipment) (SN 0300096979 through 0300171769) | |
| 3 | 1001228052 | 1 | USA Built Machines (Service Replacement) | |
| 3 | 1684413 | NLA | China Built Machines (Use p/n 10012280582) (Original Equipment) (SN B300000100 to Present) | |
| 3 | 1001228052 | 1 | China Built Machines (Service Replacement) | |
| 4 | 1683418 | NLA | Platform Level Cylinder Assembly (Use p/n 1001228051) (Original Equipment) (See CYLINDER SECTION for Breakdown) | |
| 4 | 1001223331 | NLA | Platform Level Cylinder Assembly (Use p/n 1001228051) (Service Replacement) (See CYLINDER SECTION for Breakdown) | |
| 5 | 0060066 | NLA | Rotator Assembly (Use p/n 1001178269) (See ROTATOR ASSEMBLIES for Breakdown) | |
| 7 | 4844944 | NLA | Link, Push (Use p/n 1001094043) | |
| 8 | | Ref | Pivot Options: | |
| 8 | 4844815 | 1 | USA Built Machines | |
| 8 | 1001113423 | 1 | China Built Machines | |
| 9 | | Ref | Tube, Top Jib Options: | |
| 9 | 4844816 | 1 | USA Built Machines | |
| 9 | 1001113386 | 1 | China Built Machines | |
| 10 | | Ref | Tube, Bottom Jib Options: | |
| 10 | 4844817 | 2 | USA Built Machines | |
| 10 | 1001113407 | 2 | China Built Machines | |
| 11 | 1683609 | NLA | Jib Lift Cylinder Assembly (Use p/n 1001228012) (See CYLINDER SECTION for Breakdown) (Original Equipment) | |
| 11 | 1001228012 | 1 | Jib Lift Cylinder Assembly (See CYLINDER SECTION for Breakdown) (Service Replacement) | |
| 12 | 3422564 | 2 | Pin (Boom Pivot and Lift Cylinder Pivot - T/T End) | |

SECTION 3 - BOOM

| ITEM | PART NUMBER | QTY | DESCRIPTION | REV |
|------|-------------|----------|--|-----|
| 13 | | Ref | Pin (Boom Lift Cylinder - Boom End) Options: | |
| 13 | 3422568 | 1 | USA Built Machines (SN 0300087000 through 0300096978) | |
| 13 | 3423184 | 1 | USA Built Machines (SN 0300096979 through 0300171769) | |
| 14 | 3422566 | 2 | Pin (Link - T/T End and Master Cylinder - T/T End) | |
| 15 | 3422561 | 2 | Pin (Jib Cylinder - Pivot End and Pivot - Boom End) | |
| 16 | 3422583 | 1 | Pin (Jib Level Cylinder - Boom End) | |
| 17 | 3422860 | 2 | Pin (Top Tube - Pivot End) | |
| 18 | 3422861 | 2 | Pin (Bottom Tube - Both Ends) | |
| 19 | 3422867 | 1 | Pin (Jib Lift Cylinder - Top Tube End) | |
| 21 | 3841258 | 3 | Keeper, Pin | |
| 22 | 3841143 | 9 | Keeper, Pin | |
| 23 | 3422557 | 1 | Pin (Link - Boom) | |
| 24 | | Ref | Pin (Master Cylinder - Boom End) Options: | |
| 24 | 3422574 | 1 | USA Built Machines (SN 0300087000 through 0300096978) | |
| 24 | 3422790 | 1 | USA Built Machines (SN 0300096979 through 0300171769) | |
| 24 | 3422790 | 1 | China Built Machines (SN B300000100 to Present) | |
| 25 | 0642012 | 3 | Bolt 5/8in-11NC x 1-1/2in | |
| 26 | 0641608 | 7 | Bolt 3/8in-16NC x 1in | |
| 27 | 0741607 | 1 | Screw, Countersunk 3/8in-16NC x 7/8in | |
| 28 | 0100011 | AR | Compound, Locking | |
| 29 | 0100019 | AR | Compound, Locking | |
| 30 | 4740439 | 2 | Thrustwasher | |
| 32 | 0641618 | 4 | Bolt 3/8in-16NC x 2-1/4in | |
| 33 | 3311605 | 5 | Locknut 3/8in-16NC | |
| 34 | | Ref | Bolt Options: | |
| 34 | 0641614 | 1 | Bolt 3/8in-16NC x 1-3/4in | |
| 34 | 0641610 | 1 | Bolt 3/8in-16NC x 1-1/4in | |
| 35 | 3841340 | Ref | Clamp, Loop Options: | |
| 35 | 3841340 | 1 | USA Built Machines (SN 0300137551 through 0300156719) | |
| 35 | 3841340 | 1 | China Built Machines (SN B300000100 through B300000541) | |
| 35 | 3841340 | 2 | USA Built Machines (SN 0300156720 through 0300171769) | |
| 35 | 3841340 | 2 | China Built Machines (SN B300000542 to Present) | |
| 36 | 1671055 | 1 | Cover, Boom | |
| 37 | 0641606 | AR | Bolt 3/8in-16NC x 3/4in | |
| 38 | 4751400 | 4 | Flatwasher 1/4in Regular | |
| 39 | 0630458 | 1 | U-Bolt | |
| 40 | 3311402 | 4 | Nut, Jam 1/4in-20NC | |
| 41 | 3311405 | 2 | Locknut 1/4in-20NC | |
| 44 | 1320235 | 1 | Clamp, Stauff | |
| 45 | 4100033 | 2 ft/.6m | Sleeve, Abrasion | |
| 46 | 4240033 | 2 | Tie-Strap | |
| 47 | 0961950 | 2 | Bushing | |
| 48 | 0962006 | 3 | Bushing | |
| 49 | 0961947 | 6 | Bushing | |
| 50 | 0961951 | 2 | Bushing | |
| 51 | 3539563 | 1 | Cover | |
| 52 | 0641604 | 4 | Bolt 3/8in-16NC x 1/2in | |
| 53 | 0962335 | 4 | Bushing | |
| 54 | 2080044 | 4 | Rivnut | |
| 55 | 0641611 | 1 | Bolt 3/8in-16NC x 1-3/8in | |
| 56 | 4360328 | 1 | Switch, Toggle (Not Shown - Located at Platform Console Box) | |

SECTION 3 - BOOM

| ITEM | PART NUMBER | QTY | DESCRIPTION | REV |
|------|-----------------|-----|---|-----|
| 57 | 3790012 | 1 | O-Ring (Not Shown - Used with Item 56) | |
| 58 | 4740314 | AR | Thrustwasher | |
| 59 | 4740158 | AR | Thrustwasher | |
| 61 | 3520034 | 4 | Plug, Nylon Hole (Not Shown) | |
| | | Ref | BOOM CABLES INSTALLATION | |
| 110 | 1670769 | 1 | Cover | |
| 111 | 0561237 | 2 | Clamp, Block | |
| 112 | 0641416 | 4 | Bolt 1/4in-20NC x 2in | |
| | | Ref | SUPPORT INSTALLATIONS (SIDE ENTRY PLATFORM) | |
| | 0272070 | Ref | USA Built Machines without Load Sensing and without SkyGlazier. | C |
| | 1001115098 | Ref | China Built Machines without Load Sensing and without SkyGlazier. | A |
| | See Note | Ref | Machines without Load Sensing and with SkyGlazier (Note: For Replacement Parts, Contact JLG Customer Service and Request Manual p/n 3124242) | |
| | See Note | Ref | Machines with Load Sensing and without SkyGlazier (Note: For Replacement Parts, Contact JLG Customer Service and Request Manual p/n 3124287) | |
| | See Note | Ref | Machines with Load Sensing and with SkyGlazier (Note: For Replacement Parts, Contact JLG Customer Service and Request Manual p/n 3124287) | |
| 201 | 0100011 | AR | Compound, Locking | |
| 202 | 0641812 | 8 | Bolt 1/2in-13NC x 1-1/2in | |
| 203 | 0642684 | 1 | Bolt 1in-8NC x 10-1/2in | |
| 204 | 0681608 | 8 | Bolt 3/8in-16NC x 1in (Grade 8) | |
| 205 | 3272605 | 1 | Locknut 1in-8NC | |
| 206 | 3311805 | 8 | Locknut 1/2in-13NC | |
| 207 | | Ref | Support, Platform Options: | |
| 207 | 4846573 | 1 | USA Built Machines without Load Sensing and without SkyGlazier | |
| 207 | 1001113465 | 1 | China Built Machines without Load Sensing and without SkyGlazier | |
| 207 | See Notes Above | 1 | All Machines with Load Sensing and/or SkyGlazier Options | |
| 208 | 4891600 | 8 | Flatwasher 3/8in Hardened | |
| 209 | 4891800 | 8 | Flatwasher 1/2in Hardened | |
| 210 | 4892600 | 1 | Flatwasher 1in Hardened | |

SECTION 3 - BOOM

FIGURE 3-3. MAIN BOOM ASSEMBLIES

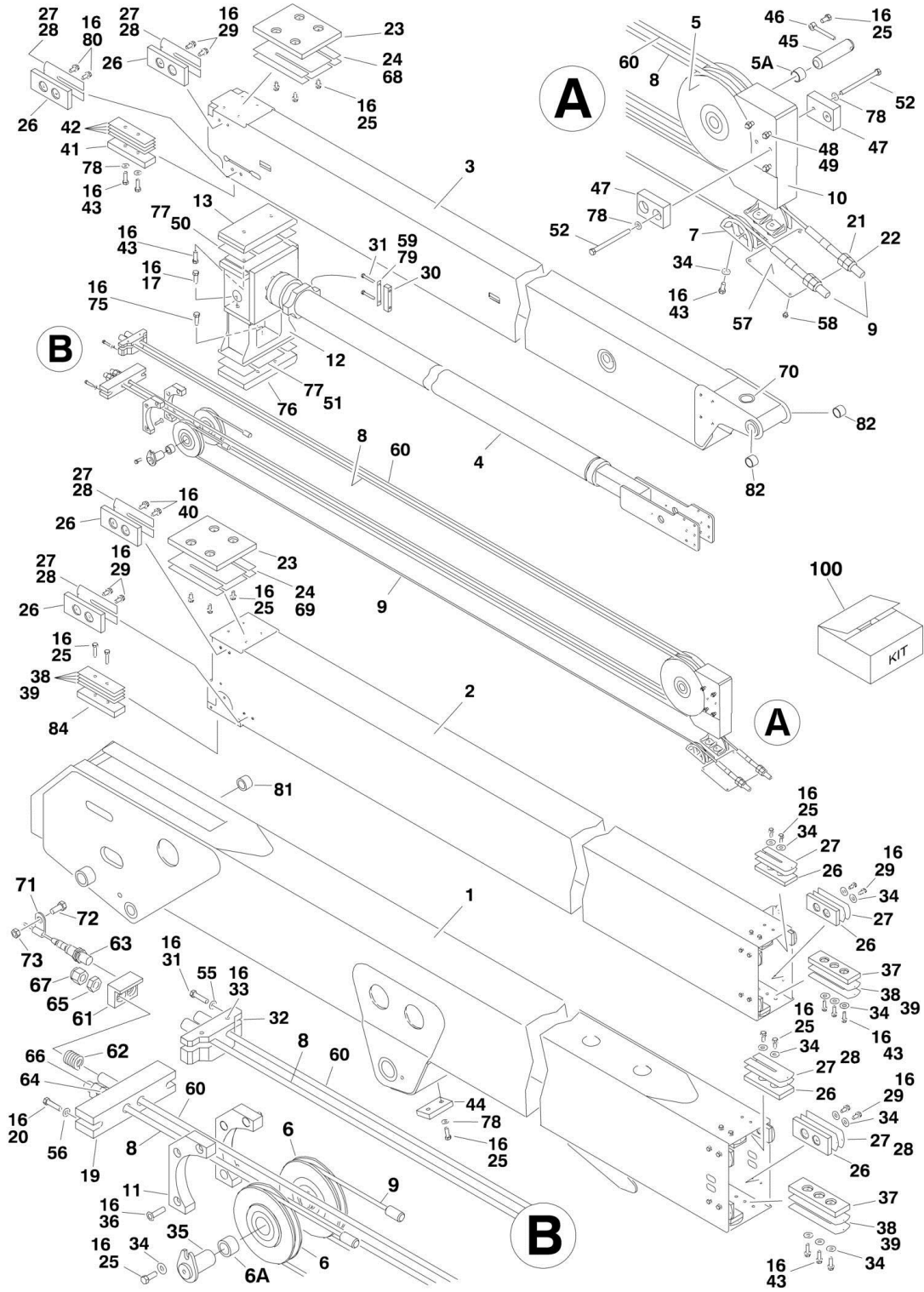


FIGURE 3-3. MAIN BOOM ASSEMBLIES

| ITEM | PART NUMBER | QTY | DESCRIPTION | REV |
|------|-------------|-----|--|-----|
| | | Ref | MAIN BOOM ASSEMBLY OPTIONS: | |
| | | Ref | ANSI and ANSI Export Specs (USA Built Machines): | |
| | 0801381 | Ref | Main Boom Assembly 600S (SN 0300087000 through 0300096978) | 4-D |
| | 0801471 | Ref | Main Boom Assembly 600S (SN 0300096979 through 0300171769) | H |
| | 0801389 | Ref | Main Boom Assembly 600SJ (SN 0300087000 through 0300096978) | 4-D |
| | 0801480 | Ref | Main Boom Assembly 600SJ (SN 0300096979 through 0300171769) | E |
| | 0801388 | Ref | Main Boom Assembly 660SJ (SN 0300087000 through 0300096978) | 4-D |
| | 0801475 | Ref | Main Boom Assembly 660SJ (SN 0300096979 through 0300171769) | H |
| | | Ref | ANSI and ANSI Export Specs (China Built Machines): | |
| | 0801471 | Ref | Main Boom Assembly 600S (SN B300000100 through B300000214) | H |
| | 1001127285 | Ref | Main Boom Assembly 600S (SN B300000215 to Present) | C |
| | 0801475 | Ref | Main Boom Assembly 660SJ (SN 0300096979 through B300000214) | H |
| | 1001126509 | Ref | Main Boom Assembly 660SJ (SN B300000215 to Present) | C |
| | | Ref | Australian and CE Specs (USA Built Machines): | |
| | 0801383 | Ref | Main Boom Assembly 600S (SN 0300087000 through 0300096978) | 4-D |
| | 0801472 | Ref | Main Boom Assembly 600S (SN 0300096979 through 0300171769) | H |
| | 0801387 | Ref | Main Boom Assembly 600SJ (SN 0300087000 through 0300096978) | 4-D |
| | 0801474 | Ref | Main Boom Assembly 600SJ (SN 0300096979 through 0300171769) | G |
| | 0801386 | Ref | Main Boom Assembly 660SJ (SN 0300087000 through 0300096978) | 4-D |
| | 0801473 | Ref | Main Boom Assembly 660SJ (SN 0300096979 through 0300171769) | G |
| | | Ref | Australian and CE Specs (China Built Machines): | |
| | 0801472 | Ref | Main Boom Assembly 600S (SN B300000100 through B300000214) | H |
| | 1001126597 | Ref | Main Boom Assembly 600S (SN B300000215 to Present) | C |
| | 0801473 | Ref | Main Boom Assembly 660SJ (SN 0300096979 through B300000214) | G |
| | 1001126596 | Ref | Main Boom Assembly 660SJ (SN B300000215 to Present) | C |
| 1 | | Ref | Base Weldment Options: | |
| 1 | | Ref | USA Built Machines: | |
| 1 | 0801011 | 1 | Base Weldment 600S & 660SJ (SN 0300087000 through 0300096978) | |
| 1 | 0801396 | 1 | Base Weldment 600S & 660SJ (SN 0300096979 through 0300171769) | |
| 1 | 0801036 | 1 | Base Weldment 600SJ (SN 0300087000 through 0300096978) | |
| 1 | 0801467 | 1 | Base Weldment 600SJ (SN 0300096979 through 0300171769) | |
| 1 | | Ref | China Built Machines: | |
| 1 | 0801396 | 1 | Base Weldment (SN B300000100 through B300000214) | |
| 1 | 1001125631 | 1 | Base Weldment (SN B300000215 through B300000239) | |

SECTION 3 - BOOM

| ITEM | PART NUMBER | QTY | DESCRIPTION | REV |
|------|-------------|-----|--|-----|
| 1 | 0801396 | 1 | Base Weldment (SN B300000240 to Present) | |
| 2 | | Ref | Mid Weldment Options: | |
| 2 | | Ref | USA Built Machines: | |
| 2 | 0801372 | NLA | Mid Weldment 600S & 660SJ (Use p/n 0801524) (SN 0300087000 through 0300100775) | |
| 2 | 0801524 | 1 | Mid Weldment 600S & 660SJ (SN 0300100776 through 0300171769) | |
| 2 | 0801373 | NLA | Mid Weldment 600SJ (Use p/n 0801525) (SN 0300087000 through 0300100775) | |
| 2 | 0801525 | 1 | Mid Weldment 600SJ (SN 0300100776 through 0300171769) | |
| 2 | | Ref | China Built Machines: | |
| 2 | 0801524 | 1 | Mid Weldment (SN B300000100 through B300000214) | |
| 2 | 1001126126 | 1 | Mid Weldment (SN B300000215 through B300000239) | |
| 2 | 0801524 | 1 | Mid Weldment (SN B300000240 to Present) | |
| 3 | | Ref | Fly Weldment Options: | |
| 3 | | Ref | USA Built Machines: | |
| 3 | 0801065 | 1 | Fly Weldment 600S (SN 0300087000 through 0300096978) | |
| 3 | 0801498 | 1 | Fly Weldment 600S (SN 0300096979 through 0300171769) | |
| 3 | 0801038 | 1 | Fly Weldment 600SJ (SN 0300087000 through 0300096978) | |
| 3 | 0801615 | 1 | Fly Weldment 600SJ (SN 0300096979 through 0300171769) | |
| 3 | 0801014 | 1 | Fly Weldment 660SJ (SN 0300087000 through 0300096978) | |
| 3 | 0801504 | 1 | Fly Weldment 660SJ (SN 0300096979 through 0300171769) | |
| 3 | | Ref | China Built Machines: | |
| 3 | 0801498 | 1 | Fly Weldment 600S (SN B300000100 through B300000214) | |
| 3 | 1001126145 | 1 | Fly Weldment 600S (SN B300000215 through B300000239) | |
| 3 | 0801498 | 1 | Fly Weldment 600S (SN B300000240 to Present) | |
| 3 | 0801504 | 1 | Fly Weldment 660SJ (SN B300000100 through B300000214) | |
| 3 | 1001126154 | 1 | Fly Weldment 660SJ (SN B300000215 through B300000239) | |
| 3 | 0801504 | 1 | Fly Weldment 660SJ (SN B300000240 to Present) | |
| 4 | | Ref | Telescope Cylinder Assembly Options (See CYLINDER SECTION for Breakdown): | |
| 4 | 1683618 | 1 | Telescope Cylinder Assembly 600S & 660SJ | |
| 4 | 1683620 | 1 | Telescope Cylinder Assembly 600SJ | |
| 5 | 3580241 | 1 | Sheave Assembly (Extend) | 2-B |
| 5A | 0961951 | 2 | Bushing | |
| 6 | 3580243 | 2 | Sheave Assembly (Retract) | 1-A |
| 6A | 0961951 | 2 | Bushing (1 Per Sheave) | |
| 7 | 1220078 | 2 | Block, Sheave | |
| 8 | | Ref | Cable (Extend) Options: | |
| 8 | 3890005 | 1 | Cable 600S & 660SJ (ANSI and ANSI Export Specs) | |
| 8 | 3890010 | 1 | Cable 600S & 660SJ (Australian and CE Specs) | |
| 8 | 3890007 | 1 | Cable 600SJ (ANSI and ANSI Export Specs) | |
| 8 | 3890011 | 1 | Cable 600SJ (Australian and CE Specs) | |
| 9 | | Ref | Cable (Retract) Options: | |
| 9 | 3890006 | 2 | Cable 600S & 660SJ | |

SECTION 3 - BOOM

| ITEM | PART NUMBER | QTY | DESCRIPTION | REV |
|------|-------------|-----|---|-----|
| 9 | 3890008 | 2 | Cable 600SJ | |
| 10 | 3580248 | 1 | Guard, Sheave (Extend) | |
| 11 | 3580249 | 2 | Guard, Sheave (Retract) | |
| 12 | 4846319 | 1 | Support, Wear Pad | |
| 13 | 3340844 | 1 | Pad, Wear | |
| 16 | 0100011 | AR | Compound, Locking | |
| 17 | 0681610 | 4 | Bolt 3/8in-16NC x 1-1/4in (Grade 8) | |
| 19 | | Ref | Block, Cable Options: | |
| 19 | 0561184 | 1 | ANSI and ANSI Export Specs | |
| 19 | 0561245 | 1 | Australian and CE Specs | |
| 20 | 0641824 | 2 | Bolt 1/2in-13NC x 3in | |
| 21 | 3312201 | 2 | Nut 3/4in-10NC | |
| 22 | 3300241 | 2 | Locknut, Special 3/4in-10NC | |
| 23 | 3340757 | 2 | Pad, Wear | |
| 24 | 4070896 | 4 | Shim (.06) (Without Slide-In Slots) | |
| 25 | 0641607 | NLA | Bolt 3/8in-16NC x 7/8in (Use p/n 0811607) | |
| 26 | | Ref | Pad, Wear Options: | |
| 26 | 3340881 | 20 | USA Built Machines (SN 0300087000 through 0300168792) | |
| 26 | 3340881 | 20 | China Built Machines (SN B300000100 through B300000741) | |
| 26 | 1001148652 | 20 | USA Built Machines (SN 0300168793 through 0300171769) | |
| 26 | 1001148652 | 20 | China Built Machines (SN B300000742 to Present) | |
| 27 | 4070897 | 28 | Shim (.05) | |
| 28 | 4070898 | 24 | Shim (.12) | |
| 29 | 0641606 | NLA | Bolt 3/8in-16NC x 3/4in (Use p/n 0811606) | |
| 30 | 0561185 | 2 | Block | |
| 31 | 0641616 | 6 | Bolt 3/8in-16NC x 2in | |
| 32 | 0561183 | 1 | Block, Cable | |
| 33 | 3951608 | 2 | Setscrew 3/8in-16NC x 1in | |
| 34 | 4711600 | AR | Flatwasher 3/8in Thin | |
| 35 | 3422424 | 2 | Pin (Retract Sheave) | |
| 36 | 0741612 | 6 | Screw, Countersunk 3/8in-16NC x 1-1/2in | |
| 37 | 3340871 | 4 | Pad, Wear | |
| 38 | 4070863 | AR | Shim (.12) | |
| 39 | 4070864 | AR | Shim (.05) | |
| 40 | 0641613 | AR | Bolt 3/8in-16NC x 1-5/8in | |
| 41 | | Ref | Pad, Wear Options: | |
| 41 | 3340758 | 2 | USA Built Machines (SN 0300087000 through 0300168792) | |
| 41 | 3340758 | 2 | China Built Machines (SN B300000100 through B300000741) | |
| 41 | 1001148650 | 2 | USA Built Machines (SN 0300168793 through 0300171769) | |
| 41 | 1001148650 | 2 | China Built Machines (SN B300000742 to Present) | |
| 42 | 4070895 | 8 | Shim (.06) | |
| 43 | 0641608 | NLA | Bolt 3/8in-16NC x 1in (Use p/n 0811608) | |
| 44 | 0561076 | 1 | Block | |
| 45 | 3422417 | 2 | Pin (Extend Sheave) | |
| 46 | 3841143 | 1 | Keeper, Pin | |
| 47 | | Ref | Pad, Wear Options: | |
| 47 | 3340755 | 2 | USA Built Machines (SN 0300087000 through 0300168792) | |
| 47 | 3340755 | 2 | China Built Machines (SN B300000100 through B300000741) | |
| 47 | 1001148651 | 2 | USA Built Machine (SN 0300168793 through 0300171769) | |

SECTION 3 - BOOM

| ITEM | PART NUMBER | QTY | DESCRIPTION | REV |
|------|-------------|-----------|---|-----|
| 47 | 1001148651 | 2 | China Built Machines (SN B30000742 to Present) | |
| 48 | 0641634 | 4 | Bolt 3/8in-16NC x 4-1/4in | |
| 49 | 3311605 | 4 | Locknut 3/8in-16NC | |
| 50 | 4070976 | 1 | Shim (.12) | |
| 51 | 4071004 | 1 | Shim (.25) | |
| 52 | 0641638 | 2 | Bolt 3/8in-16NC x 4-3/4in | |
| 55 | 4891600 | 6 | Flatwasher 3/8in Hardened | |
| 56 | 4891800 | 2 | Flatwasher 1/2in Hardened | |
| 57 | 3539622 | 1 | Plate, Cover | |
| 58 | 0641403 | 4 | Bolt 1/4in-20NC x 3/8in | |
| 59 | 4070929 | AR | Shim | |
| 60 | | Ref | Cable (Extend) Options: | |
| 60 | 3890005 | 1 | Cable 600S & 660SJ (ANSI and ANSI Export Specs) | |
| 60 | 3890009 | 1 | Cable 600S & 660SJ (Australian and CE Specs) | |
| 60 | 3890007 | 1 | Cable 600SJ (ANSI and ANSI Export Specs) | |
| 60 | 3890012 | 1 | Cable 600SJ (Australian and CE Specs) | |
| 61 | 0561508 | 1 | Plate, Spring Mounting (Australian and CE Specs Only) | |
| 62 | 4160149 | 1 | Spring (Australian and CE Specs Only) | |
| 63 | 4360506 | 1 | Switch, Proximity (Australian and CE Specs Only) | |
| 64 | | Ref | Nut Options: | |
| 64 | 3300241 | 1 | Locknut, Special 3/4in-10NC (ANSI and ANSI Export Specs) | |
| 64 | 3300399 | NLA | Nut, Jam 7/8in-9NC (Australian and CE Specs) (Use p/n 3272401) | |
| 65 | | Ref | Nut Options | |
| 65 | 3300241 | 1 | Locknut, Special 3/4in-10NC (ANSI and ANSI Export Specs) | |
| 65 | 3300400 | NLA | Nut, Jam 5/8in-11NC (Australian and CE Specs) (Use p/n 3272001) | |
| 66 | | Ref | Locknut Options: | |
| 66 | 3312201 | 1 | Nut 3/4in-10NC (ANSI and ANSI Export Specs) | |
| 66 | 3300242 | 1 | Locknut 7/8in-9NC (Australian and CE Specs) | |
| 67 | | Ref | Locknut Options: | |
| 67 | 3312201 | 1 | Nut 3/4in-10NC (ANSI and ANSI Export Specs) | |
| 67 | 3300240 | 1 | Locknut 5/8in-11NC (Australian and CE Specs) | |
| 68 | 4070939 | AR | Shim 16Ga (With Slide-In Slots) | |
| 69 | 4070940 | AR | Shim 16Ga (With Slide-In Slots) | |
| 70 | 4060805 | 6 in/16cm | Flex-Trim | |
| 71 | 1320244 | 1 | Clamp (Australian and CE Specs Only) | |
| 72 | 0641406 | 1 | Bolt 1/4in-20NC x 3/4in (Australian and CE Specs Only) | |
| 73 | 3311401 | NLA | Locknut 1/4in-20NC (Australian and CE Specs Only) (Use p/n 3311405) | |
| 74 | 1670836 | 8 | Cover, Boom (Not Shown) (USA Built Machines) (SN 0300087000 through 0300134293) | |
| 75 | 0681608 | 4 | Bolt 3/8in-16NC x 1in | |
| 76 | 3340900 | 1 | Pad, Wear | |
| 77 | 4071005 | AR | Shim | |
| 78 | 4751600 | 12 | Flatwasher 3/8in Regular | |
| 79 | 4071007 | AR | Shim | |
| 80 | 0641614 | NLA | Bolt 3/8in-16NC x 1-3/4in (Use p/n 0811614) | |
| 81 | 0961950 | 2 | Bushing | |
| 82 | 0961951 | 2 | Bushing (600SJ & 660SJ Only) | |
| 83 | 3020039 | AR | Lubricant (Not Shown) | |
| 84 | | Ref | Pad, Wear Options; | |

SECTION 3 - BOOM

| ITEM | PART NUMBER | QTY | DESCRIPTION | REV |
|------|-------------|-----|--|-----|
| 84 | 3340871 | 1 | USA Built Machines (SN 0300087000 through 0300168792) | |
| 84 | 3340871 | 1 | China Built Machines (SN B300000100 through B300000741) | |
| 84 | 1001148653 | 1 | USA Built Machines (SN 0300168793 through 0300171769) | |
| 84 | 1001148653 | 1 | China Built Machines (SN B300000742 to Present) | |
| 100 | 2901986 | 1 | Kit, Wear Pad Support (Includes Items 12, 51, 75, 76 & 77) | |

SECTION 3 - BOOM

FIGURE 3-4. ROTATOR ASSEMBLIES

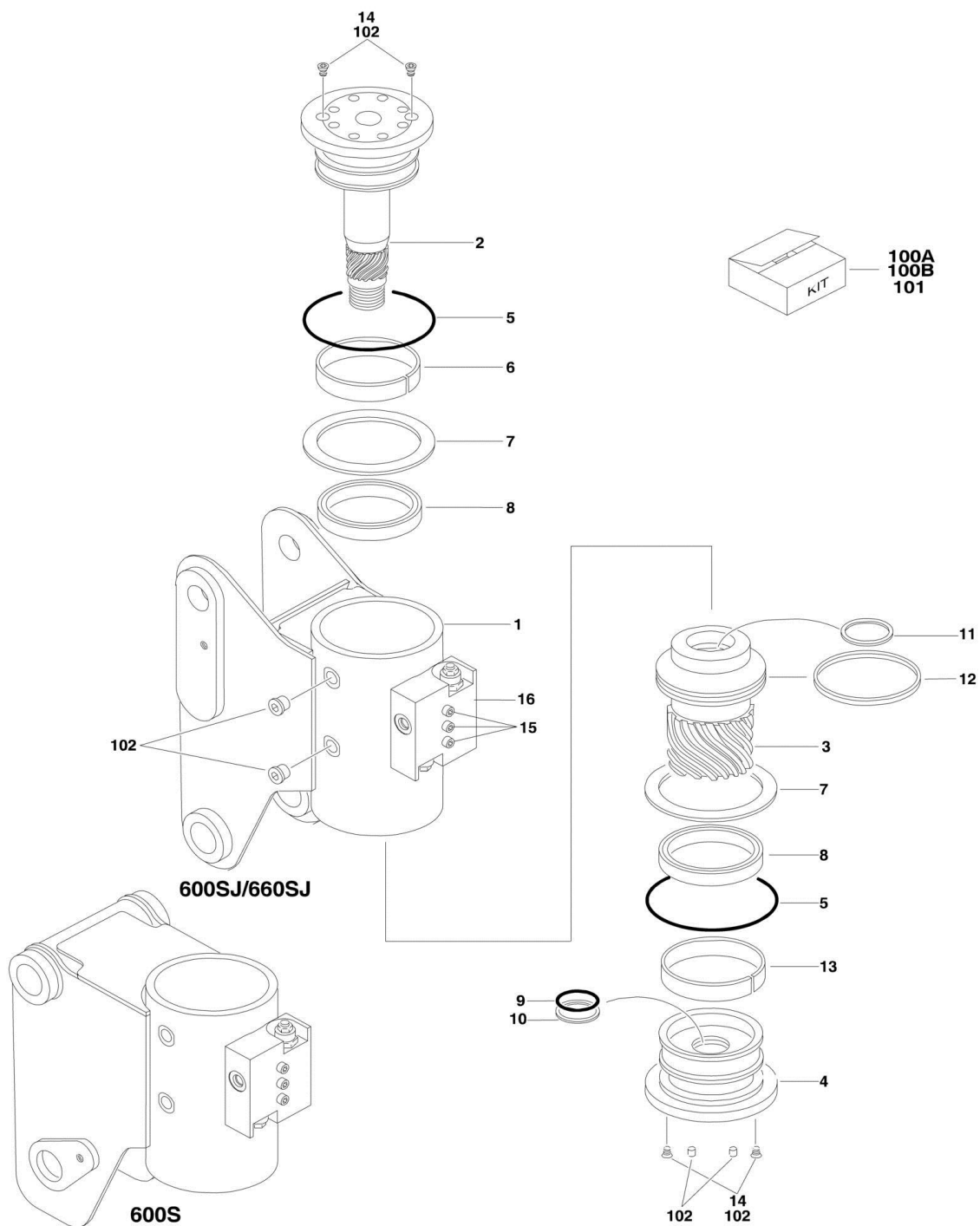


FIGURE 3-4. ROTATOR ASSEMBLIES

| ITEM | PART NUMBER | QTY | DESCRIPTION | REV |
|------|-------------|-----|---|-----|
| | | Ref | ROTATOR ASSEMBLIES | |
| | 0060067 | Ref | Rotator Assemblies 600S (Original Equipment) | B |
| | 1001181057 | Ref | Rotator Assemblies 600S (Service Replacement) | A |
| | 0060066 | Ref | Rotator Assemblies 600SJ & 660SJ (Original Equipment) | D |
| | 1001178269 | Ref | Rotator Assemblies 600SJ & 660SJ (Service Replacement) | A |
| 1 | See Note | NSS | Housing/Ring Gear Assembly (Note: Not Available - Purchase Complete Rotator Assembly) | |
| 2 | 7017162 | 1 | Shaft Weldment | |
| 2 | 7017195 | 2 | Bushing, Shaft | |
| 3 | 7017163 | 1 | Piston/Sleeve Assembly | |
| 4 | 7017164 | 1 | Cap, End | |
| 5 | See Note | NSS | O-Ring (Note: Use Item 100A or 100B) | |
| 6 | See Note | NSS | Bearing, Shaft (Note: Use Item 101) | |
| 7 | See Note | NSS | Thrustwasher (Note: Use Item 101) | |
| 8 | See Note | NSS | Packing, Bearing (Note: Use Item 100A or 100B) | |
| 9 | See Note | NSS | Seal, Cap (Note: Use Item 100A or 100B) | |
| 10 | See Note | NSS | Ring, Back-up Cap (Note: Use Item 100A or 100B) | |
| 11 | See Note | NSS | Seal, Rod (Note: Use Item 100A or 100B) | |
| 12 | See Note | NSS | Seal, Piston (Note: Use Item 100A or 100B) | |
| 13 | See Note | NSS | Bearing, Cap (Note: Use Item 101) | |
| 14 | 70001697 | 4 | Screw, Countersunk 1/4in-20NC x 3/8in (Grade 8) | |
| 15 | See Note | NSS | Capscrew 1/4in-20NC x 1-1/2 (Grade 8) (Note: Not Available for Purchase) | |
| 16 | 7017183 | 1 | Valve Assembly | |
| 16 | 7017193 | 1 | Cartridge, Valve | |
| 16 | See Note | NSS | Seal Kit - 7017193 Valve (Note: Use p/n 7017193) | |
| 16 | See Note | NSS | Cartridge, Valve (Not Shown - Located on Side of Block) (Note: Use p/n 7017183) | |
| 16 | See Note | NSS | Seal Kit - Valve Located on Side of Block (Note: Use p/n 7017183) | |
| | | Ref | KIT OPTIONS | |
| 100 | | Ref | Seal Kit Options (Includes Items 5, 8-12 & 102): | |
| 100A | 7017158 | 1 | Seal Kit - Standard (0060066/0060067 Assemblies) | |
| 100B | 70000342 | 1 | Seal Kit - Low Temperature (1001178269/1001181057 Assemblies) | |
| 101 | 7017159 | | Bearing Kit (Includes Items 6, 7 & 13) | |
| 102 | 7017142 | 1 | Hardware Kit (Includes Items 14, 2 Setscrews & 2 Plugs) | |

SECTION 3 - BOOM

FIGURE 3-5. POWER TRACK INSTALLATIONS

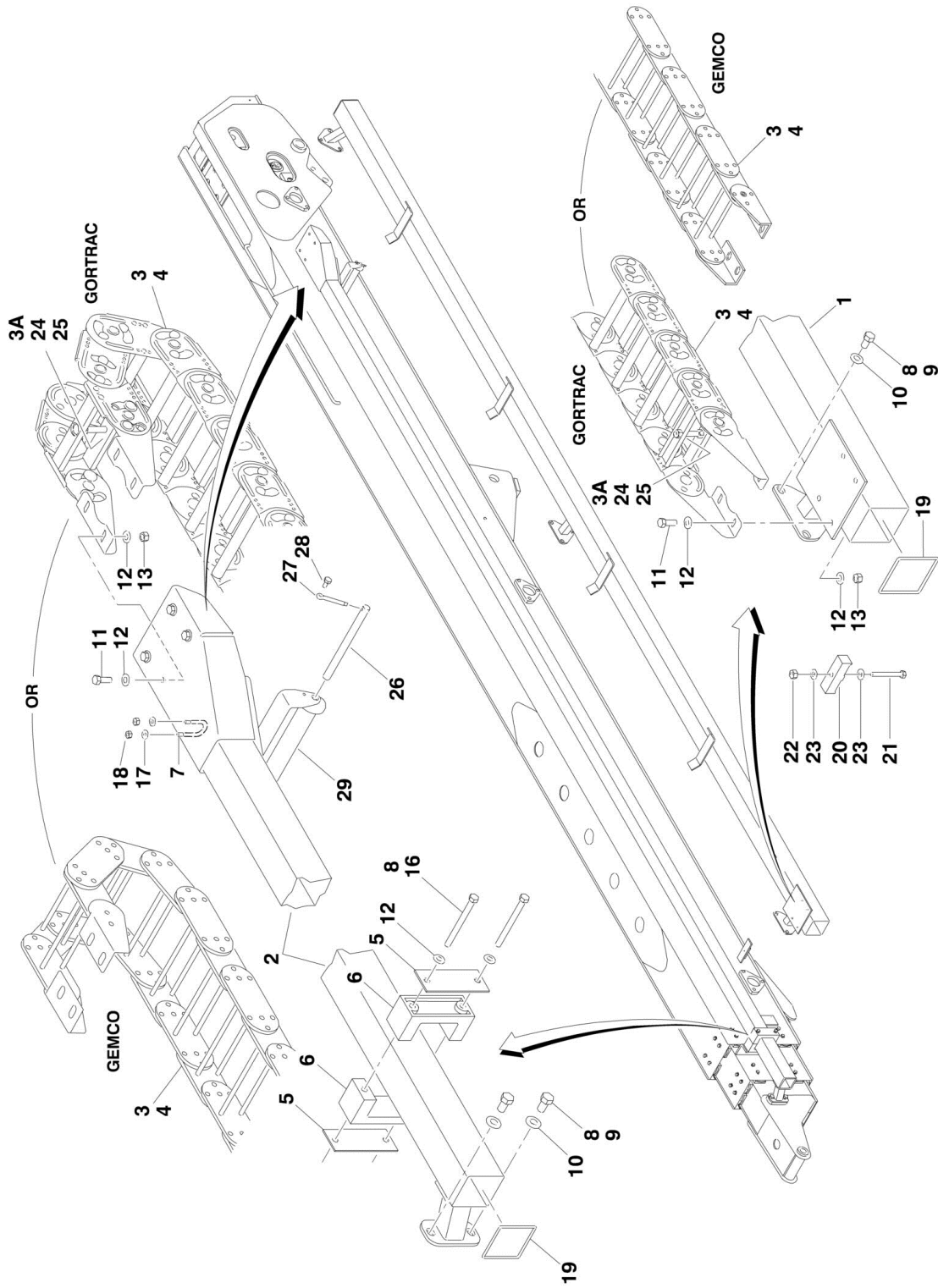


FIGURE 3-5. POWER TRACK INSTALLATIONS

| ITEM | PART NUMBER | QTY | DESCRIPTION | REV |
|------|-------------|-----|--|-----|
| | | Ref | POWER TRACK INSTALLATIONS | |
| | 0270804 | Ref | Power Track Installations 600S/660SJ USA Built Machines | 5 |
| | 1001115236 | Ref | Power Track Installations 600S/660SJ China Built Machines | A |
| | 0271372 | Ref | Power Track Installations 600SJ | 4 |
| 1 | | Ref | Support, Power Track Options: | |
| 1 | 4845819 | 1 | Support, Power Track 600S/660SJ USA Built Machines | |
| 1 | 1001114668 | 1 | Support, Power Track 600S/660SJ China Built Machines | |
| 1 | 4846392 | 1 | Support, Power Track 600SJ | |
| 2 | | Ref | Tube, Push Options: | |
| 2 | 4845671 | 1 | Tube, Push 600S/660SJ USA Built Machines | |
| 2 | 1001114816 | 1 | Tube, Push 600S/660SJ China Built Machines | |
| 2 | 4846391 | 1 | Tube, Push 600SJ | |
| 3 | 1180345 | NLA | Power Track Assembly 600S/660SJ (USA Built Machines) (Use p/n 1001099832) (SN 0300087000 through 0300134960) | |
| 3 | 1001099832 | 1 | Power Track Assembly 600S/660SJ (USA Built Machines) (SN 0300134961 through 0300171769) | |
| 3 | 1001099832 | 1 | Power Track Assembly 600S/660SJ (China Built Machines) (SN B300000100 through B300000969) | |
| 3 | | Ref | Note: Use Detail on Illustration to identify power track brand, before ordering replacement parts. | |
| 3 | | Ref | Gemco Replacement Parts (600S/660SJ): | |
| 3 | 7016530 | AR | Repair Section (Includes 18 Link Pin, 4 Radius Links, 2 Carrier Links, 1 Rod Carrier, 1 Spring Loaded Rod, 1 Carrier Weldment & 12 Bearing Plates) | |
| 3 | 7006143 | 2 | Feet Mounting (Kit Includes 1 LH, 1 RH and 2 Spacers) | |
| 3 | 7006138 | AR | Pin Kit (Includes 1 Pin, 1 Retaining Ring & 4 Washers) | |
| 3 | | Ref | Gortrac Replacement Parts (600S/660SJ): | |
| 3 | 70002005 | AR | Repair Section | |
| 3 | 70002006 | 1 | Mounting Bracket Kit | |
| 3A | 70004643 | 2 | Clamp with Hardware | |
| 4 | 1180359 | NLA | Power Track Assembly 600SJ (USA Built Machines) (Use p/n 1001099839) (SN 0300087000 through 0300134960) | |
| 4 | 1001099839 | 1 | Power Track Assembly 600SJ (USA Built Machines) (SN 0300134961 through 0300171769) | |
| 4 | 1001099839 | 1 | Power Track Assembly 600SJ (China Built Machines) (SN B300000100 through B300000969) | |
| 4 | | Ref | Note: Use Detail on Illustration to identify power track brand, before ordering replacement parts. | |
| 4 | | Ref | Gemco Replacement Parts (600SJ): | |
| 4 | 7016530 | AR | Repair Section (Includes 18 Link Pin, 4 Radius Links, 2 Carrier Links, 1 Rod Carrier, 1 Spring Loaded Rod, 1 Carrier Weldment & 12 Bearing Plates) | |
| 4 | 7006143 | 2 | Feet Mounting (Kit Includes 1 LH, 1 RH and 2 Spacers) | |
| 4 | 7006138 | AR | Pin Kit (Includes 1 Pin, 1 Retaining Ring & 4 Washers) | |
| 4 | | Ref | Gortrac Replacement Parts (600SJ): | |
| 4 | 70002007 | AR | Repair Section | |
| 4 | 70002006 | 1 | Mounting Bracket Kit | |
| 5 | 3538758 | AR | Plate | |
| 6 | 3340764 | 2 | Pad, Wear | |
| 7 | 0630458 | 1 | U-Bolt | |
| 8 | 0100011 | AR | Compound, Locking | |
| 9 | 0641807 | 11 | Bolt 1/2in-13NC x 7/8in | |

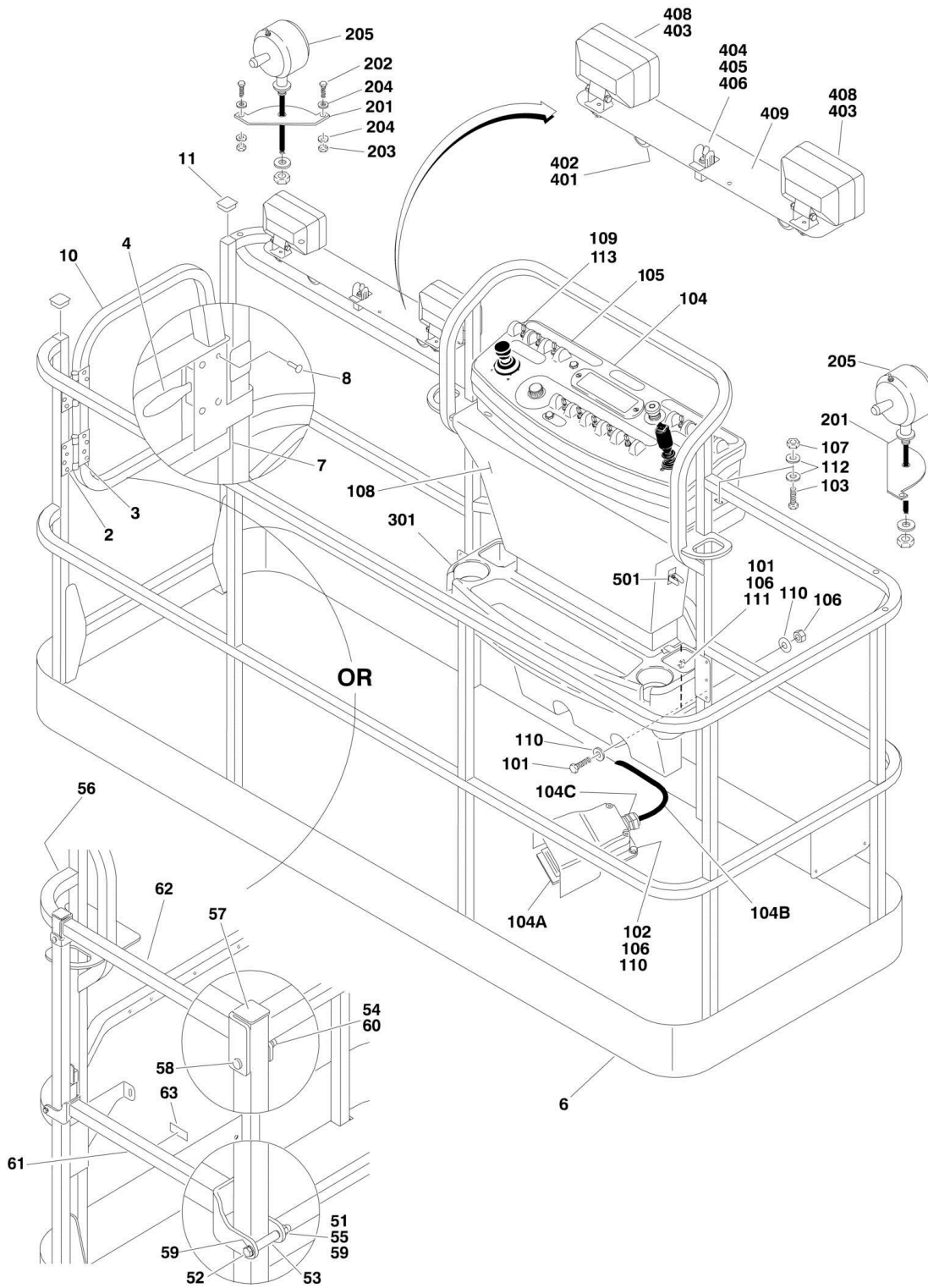
SECTION 3 - BOOM

| ITEM | PART NUMBER | QTY | DESCRIPTION | REV |
|------|-------------|-----|----------------------------|-----|
| 10 | 4711800 | 11 | Flatwasher 1/2in Thin | |
| 11 | 0641608 | 8 | Bolt 3/8in-16NC x 1in | |
| 12 | 4711600 | 18 | Flatwasher 3/8in Thin | |
| 13 | 3311605 | 8 | Locknut 3/8in-16NC | |
| 16 | | Ref | Bolt 3/8in-16NC Options: | |
| 16 | 0641644 | 2 | Bolt 3/8in-16NC x 5-1/2in | |
| 16 | 0641648 | 2 | Bolt 3/8in-16NC x 6in | |
| 17 | 4711400 | 2 | Flatwasher 1/4in Thin | |
| 18 | 3311405 | 2 | Locknut 1/4in-20NC | |
| 19 | 4060803 | AR | Shield, Trim | |
| 20 | 1320247 | 1 | Clamp, Nylon | |
| 21 | 0641522 | 1 | Bolt 5/16in-18NC x 2-3/4in | |
| 22 | 3311505 | 1 | Locknut 5/16in-18NC | |
| 23 | 4711500 | 2 | Flatwasher 5/16in Thin | |
| 24 | 4070994 | 2 | Shim | |
| 25 | 4070995 | 2 | Shim | |
| 25 | 0100081 | AR | Adhesive | |
| 26 | 3841013 | 1 | Roller, Rod | |
| 27 | 3450806 | 1 | Pin, Cotter | |
| 28 | 0641404 | 1 | Bolt 1/4in-20NC x 1/2in | |
| 29 | 3860050 | 1 | Roller | |

SECTION 4 - PLATFORM

SECTION 4 - PLATFORM

FIGURE 4-1. PLATFORM COMPONENTS INSTALLATION



SECTION 4 - PLATFORM

FIGURE 4-1. PLATFORM COMPONENTS INSTALLATION

| ITEM | PART NUMBER | QTY | DESCRIPTION | REV |
|------|-------------|-----|---|-----|
| | | Ref | PLATFORM ASSEMBLY WITH GATE: | |
| | | Ref | USA Built Machines: | |
| | 3510830 | Ref | Platform 30in x 4ft (76cm x 1.22m) (Use p/n 1001144027) (SN 0300087000 through 0300168214) | B-M |
| | 1001144027 | Ref | Platform 30in x 4ft (76cm x 1.22m) (SN 0300168215 through 0300171769) | B |
| | 3510831 | Ref | Platform 30in x 5ft (76cm x 1.52m) with No Mesh (Use p/n 1001144026) (SN 0300087000 through 0300168214) | B-L |
| | 1001144026 | Ref | Platform 30in x 5ft (76cm x 1.52m) with No Mesh (SN 0300168215 through 0300171769) | B |
| | 3510833 | Ref | Platform 36in x 6ft (91.5cm x 1.83m) with No Mesh (Use p/n 1001144024) (SN 0300087000 through 0300168214) | B-I |
| | 1001144024 | Ref | Platform 36in x 6ft (91.5cm x 1.83m) with No Mesh (SN 0300168215 through 0300171769) | B |
| | 3510822 | Ref | Platform 36in x 8ft (91.5cm x 2.44m) with No Mesh (Use p/n 1001144023) (SN 0300087000 through 0300168214) | B-J |
| | 1001144023 | Ref | Platform 36in x 8ft (91.5cm x 2.44m) with No Mesh (SN 0300168215 through 0300171769) | B |
| | | Ref | China Built Machines: | |
| | 1001114335 | Ref | 36in x 72in (0.9m x 1.83m) with No Mesh (Use p/n 1001146180) (SN B300000100 through B300000667) | B-D |
| | 1001146180 | Ref | 36in x 72in (0.9m x 1.83m) with No Mesh (SN B300000668 through B300000969) | B |
| | 1001114391 | Ref | 36in x 96in (0.9m x 2.44m) with No Mesh (Use p/n 1001146179) (SN B300000100 through B300000667) | B-D |
| | 1001146179 | Ref | 36in x 96in (0.9m x 2.44m) with No Mesh (SN B300000668 through B300000969) | B |
| | | Ref | Note: Original Equipment platform may have been replaced with Service Replacement platform. Identify platform before ordering parts. | |
| | | Ref | Note: For Platforms with Mesh to the Top Rail, customer must order Platforms and Mesh separately. See SPECIAL OPTIONS SECTION for Mesh Installations. | |
| | | Ref | Note: Replacement Decals Must Be Ordered Separately - See DECALS SECTION. | |
| | | Ref | Note: When replacing 8ft/2.44m platform with Soft Touch option, new Soft Touch Rail p/n 4846673 must be purchased to accommodate limit switch locations. | |
| | | Ref | Note: When replacing platform on machines with SkyCutter option, new bracket p/n 1001145405 must be purchased to accommodate SkyCutter components. | |
| 2 | 2080040 | 16 | Fastener, Huck | |
| 3 | 2600281 | 2 | Hinge, Self-Closing | |
| 4 | 2940074 | 1 | Latch | |
| 6 | See Note | NSS | Platform Weldment (Note: Purchase Complete Platform Assembly) | |
| 7 | | Ref | Cap-Plug Options: | |
| 7 | 3520072 | 1 | USA Built Machines | |
| 7 | | Ref | China Built Machines | |
| 7 | 3520072 | 1 | Cap-Plug (SN B300000100 through B300000667) | |
| 7 | 1001152037 | 1 | Cap-Plug (SN B300000668 through B300000969) | |
| 8 | 3820020 | 4 | Rivet | |
| 10 | | Ref | Gate Weldment Options: | |
| 10 | | Ref | USA Built Machines | |

SECTION 4 - PLATFORM

| ITEM | PART NUMBER | QTY | DESCRIPTION | REV |
|------|-------------|-----|---|-----|
| 10 | 4846452 | 1 | Gate for Platform p/ns 3510822, 3510830, 3510831, 3510833 | |
| 10 | 1001144629 | 1 | Gate for Platform p/ns 1001144023, 1001144024, 1001144026, 1001144027 | |
| 10 | | Ref | China Built Machines | |
| 10 | 1001114341 | 1 | Gate for Platform p/ns 1001114335, 1001114391 | |
| 10 | 1001144629 | 1 | Gate for Platform p/ns 1001146180, 1001146179 | |
| 11 | | Ref | Cap-Plug Options: | |
| 11 | 3520198 | 1 | USA Built Machines | |
| 11 | | Ref | China Built Machines | |
| 11 | 3520198 | 1 | Cap-Plug (SN B300000100 through B300000667) | |
| 11 | 1001145781 | 1 | Cap-Plug (SN B300000668 through B300000969) | |
| | | Ref | PLATFORM ASSEMBLY WITH DROP-BAR | |
| | | Ref | USA Built Machines: | |
| | 1001138431 | Ref | Platform 30in x 4ft (76cm x 1.22m) with No Mesh) (Use p/n 1001144018) (SN 0300087000 through 0300168214) | B-B |
| | 1001144018 | Ref | Platform 30in x 4ft (76cm x 1.22m) with No Mesh) (SN 0300168215 through 0300171769) | B |
| | 1001138432 | Ref | Platform 30in x 5ft (76cm x 1.52m) with No Mesh) (Use p/n 1001144019) (SN 0300087000 through 0300168214) | B-B |
| | 1001144019 | Ref | Platform 30in x 5ft (76cm x 1.52m) with No Mesh) (SN 0300168215 through 0300171769) | B |
| | 1001138434 | Ref | Platform 36in x 6ft (91.5cm x 1.83m) with No Mesh) (Use p/n 1001144021) (SN 0300087000 through 0300168214) | B-B |
| | 1001144021 | Ref | Platform 36in x 6ft (91.5cm x 1.83m) with No Mesh) (SN 0300168215 through 0300171769) | B |
| | 1001128598 | Ref | Platform 36in x 6ft (91.5cm x 1.83m) with Mesh to Mid Rail and Dropbar (Not Shown) | B |
| | 1001128479 | Ref | Platform 36in x 6ft (91.5cm x 1.83m) with Mesh to Mid Rail Dropbar and Platform Bumpers (Not Shown) | B |
| | 1001138430 | Ref | Platform 36in x 8ft (91.5cm x 2.44m) with No Mesh) (Use p/n 1001144022) (SN 0300087000 through 0300168214) | B-B |
| | 1001144022 | Ref | Platform 36in x 8ft (91.5cm x 2.44m) with No Mesh) (SN 0300168215 through 0300171769) | B |
| | | Ref | China Built Machines: | |
| | 1001139373 | Ref | Platform 36in x 6ft (91.5cm x 1.83m) with No Mesh) (Use p/n 1001146182) (SN B300000100 through B300000667) | B-B |
| | 1001146182 | Ref | Platform 36in x 6ft (91.5cm x 1.83m) with No Mesh) (SN B300000668 through B300000969) | B |
| | 1001139374 | Ref | Platform 36in x 8ft (91.5cm x 2.44m) with No Mesh) (Use p/n 1001146181) (SN B300000100 through B300000667) | B-B |
| | 1001146181 | Ref | Platform 36in x 8ft (91.5cm x 2.44m) with No Mesh) (SN B300000668 through B300000969) | A |
| | | Ref | Note: Original Equipment platform may have been replaced with Service Replacement platform. Identify platform before ordering parts. | |
| | | Ref | Note: Replacement Decals Must Be Ordered Separately - See DECALS SECTION. | |
| | | Ref | Note: When replacing 8ft/2.44m platform with Soft Touch option, new Soft Touch Rail p/n 4846673 must be purchased to accommodate limit switch locations. | |
| | | Ref | Note: When replacing platform on machines with SkyCutter option, new bracket p/n 1001145405 must be purchased to accommodate SkyCutter components. | |
| 51 | 0100011 | AR | Compound, Locking | |
| 52 | 0641418 | 2 | Bolt 1/4in-20NC x 2-1/4in | |

SECTION 4 - PLATFORM

| ITEM | PART NUMBER | QTY | DESCRIPTION | REV |
|------|-------------|-----|---|-----|
| 53 | 0961845 | 2 | Bushing | |
| 54 | 3290606 | 2 | Nut M6 | |
| 55 | 3300151 | 2 | Nut, Acorn | |
| 56 | See Note | NSS | Platform Weldment (Note: Purchase Platform Assembly) | |
| 57 | | Ref | Cap-Plug Options: | |
| 57 | 3520198 | 2 | USA Built Machines | |
| 57 | | Ref | China Built Machines | |
| 57 | 3520198 | 2 | Cap-Plug (SN B300000100 through B300000667) | |
| 57 | 1001145781 | 2 | Cap-Plug (SN B300000668 through B300000969) | |
| 58 | 4010618 | 2 | Screw M6 x 50mm | |
| 59 | 4711400 | 4 | Flatwasher 1/4in Thin | |
| 60 | 4811700 | 2 | Flatwasher M6 | |
| 61 | | Ref | Bar, Drop Options: | |
| 61 | 1001138494 | 1 | Drop Bar (Machines without Shipyard Package) | |
| 61 | 1001111346 | 1 | Drop Bar (Machines with Shipyard Package) (Not Shown) | |
| 62 | 1001138514 | 1 | Rail (Top) | |
| 63 | 1001140429 | 1 | Decal - Drop-Bar | |
| | | Ref | CONSOLE BOX INSTALLATIONS | |
| | | Ref | All Specs except CE UK Spec and CE German Spec | |
| | 0271940 | Ref | USA Built Machines (SN 0300087000 through 0300138728) | B |
| | 1001108791 | Ref | USA Built Machines without UGM (SN 0300138729 through 0300171769) | A |
| | 1001114447 | Ref | USA Built Machines with UGM (Use p/n 1001145896) (SN 0300138729 through 0300171769) | A-D |
| | 1001114447 | Ref | China Built Machines (Use p/n 1001145896) (SN B300000100 through B300000969) | C |
| | | Ref | CE UK Spec and CE German Spec Only | |
| | 0273058 | Ref | USA Built Machines (SN 0300087000 through 0300138728) | B |
| | 1001108792 | Ref | USA Built Machines without UGM (SN 0300138729 through 0300171769) | A |
| | 1001114447 | Ref | USA Built Machines with UGM (Use p/n 1001145896) (SN 0300138729 through 0300171769) | A-D |
| 101 | 0641406 | 4 | Bolt 1/4in-20NC x 3/4in | |
| 102 | 0641408 | 3 | Bolt 1/4in-20NC x 1in | |
| 103 | 0641610 | 4 | Bolt 3/8in-16NC x 1-1/4in | |
| 104 | | Ref | Platform Console Box Assembly Options: | |
| 104 | | Ref | Platform Console Box Assembly (See PLATFORM CONSOLE ASSEMBLY for Breakdown) (SN 0300087000 through 0300138728) | |
| 104 | 0861511 | 1 | Without UGM | |
| 104 | | Ref | Platform Console Box Assembly (USA Built Machines) (See PLATFORM CONSOLE ASSEMBLY for Breakdown) (SN 0300138729 through 0300171769) | |
| 104 | | Ref | Platform Console Box Assembly (China Built Machines) (See PLATFORM CONSOLE ASSEMBLY for Breakdown) (SN B300000100 through B300000969) | |
| 104 | 1001108790 | 1 | Without UGM | |
| 104 | 1001114449 | NLA | With UGM (USA Built Machines) (Use p/n 1001145895) | |
| 104 | 1001114449 | NLA | With UGM (China Built Machines) (Use p/n 1001145895) | |
| 104A | | Ref | Footswitch Assembly Options (Includes Footswitch and Items 104B & 104C): | |
| 104A | 0272970 | 1 | USA Built Machines (SN 0300087000 through 0300167682) | B |
| 104A | 0272970 | 1 | China Built Machines (SN B300000100 through | B |

SECTION 4 - PLATFORM

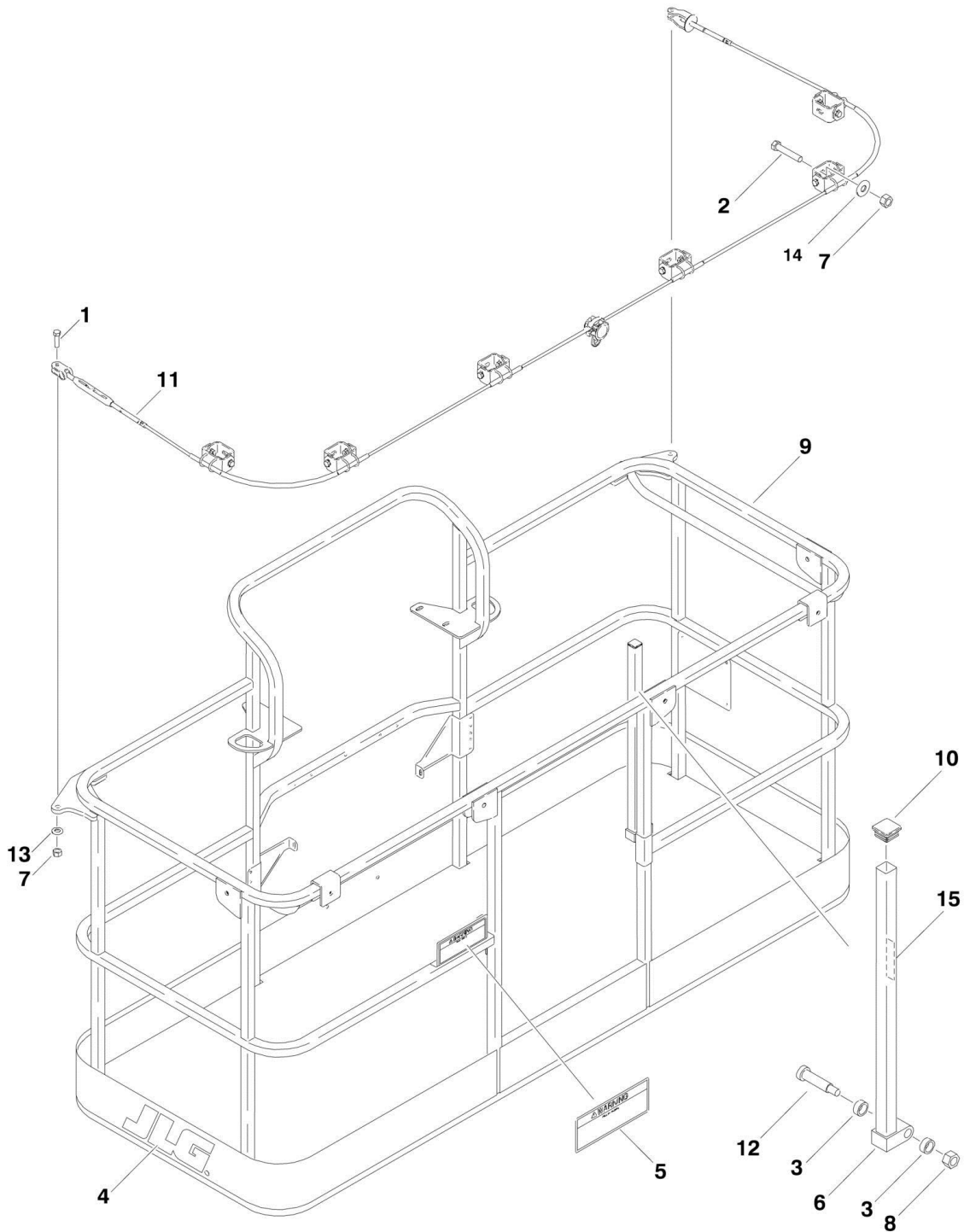
| ITEM | PART NUMBER | QTY | DESCRIPTION | REV |
|------|-------------|------------|---|-----|
| 104A | 1001117174 | 1 | B300000969) USA Built Machines (SN 0300167683 through 0300171769) | B |
| | | Ref | Note: Assembly p/n 0272970 may use either p/n 4360031 or p/n 1001117320. If Original Equipment on machines was replaced as an "assembly," p/n 1001117320 may have been used as part of the Service Replacement. Identify component before ordering parts. (SN 0300087000 through 0300143938) | |
| 104A | | Ref | Footswitch Options: | |
| 104A | 4360031 | 1 | Footswitch (USA Built Machines) (Original Equipment) (SN 0300087000 through 0300143937) | |
| 104A | 4360031 | 1 | Footswitch (China Built Machines) (Prior to SN B300000232) | |
| 104A | 7000625 | 2 | Block for 4360031 Footswitch | |
| 104A | 1001117320 | 1 | Footswitch (USA Built Machines) (Service Replacement) (SN 0300143938 through 0300167682) | |
| 104A | 1001117320 | 1 | Footswitch (China Built Machines) (Service Replacement) (SN B300000232 through B300000969) | |
| 104A | 70003483 | 1 | Block for 1001117320 Footswitch | |
| 104A | 1001117172 | 1 | Footswitch (USA Built Machines) (SN 0300167683 through 0300171769) | |
| 104A | 70002902 | 1 | Block, Contact for 1001117172 Footswitch | |
| 104A | 70002903 | 1 | Gasket for 1001117172 Footswitch | |
| 104A | 70002905 | 1 | Cover for 1001117172 Footswitch | |
| 104A | 70002904 | 1 | Bolt Replacement Kit for 1001117172 Footswitch | |
| 104B | 1060918 | 7 ft/2.14m | Cable, Electrical - 18/3 | |
| 104C | 4460071 | 1 | Connector, Strain Relief | |
| 105 | 1702676 | 1 | Decal - Horn | |
| 106 | 3311405 | 7 | Locknut 1/4in-20NC | |
| 107 | 3311605 | 4 | Locknut 3/8in-16NC | |
| 108 | | Ref | Panel, Decal Mount Options: | |
| 108 | 3380434 | 1 | All Specs except CE UK Spec and CE German Spec (Without UGM) | |
| 108 | 3380476 | 1 | CE UK Spec and CE German Spec Only (Without UGM) | |
| 108 | 3380434 | 1 | All Specs (With UGM) | |
| 109 | 4360331 | 1 | Switch, Toggle | |
| 110 | 4740362 | 7 | Flatwasher 1/4in Fender | |
| 111 | 4751400 | 4 | Flatwasher 1/4in Regular | |
| 112 | 4751600 | 8 | Flatwasher 3/8in Regular | |
| 113 | 3790012 | 1 | O-Ring | |
| | | Ref | WORKLIGHTS INSTALLATIONS (OPTIONAL) | |
| | 0273486 | Ref | Worklights Installations 600S | D |
| | 0273490 | Ref | Worklights Installations 600SJ | D |
| | 0273491 | Ref | Worklights Installations 660SJ | D |
| 201 | 3536089 | 2 | Plate, Mounting | |
| 202 | | Ref | Hardware Options: | |
| 202 | 0641414 | 4 | Bolt 1/4in-20NC x 1-3/4in (SN 0300087000 through 0300112345) | |
| 202 | 2080040 | 4 | Huck Fastener (SN 0300112346 through 0300171769) | |
| 203 | 3311405 | 4 | Locknut 1/4in-20NC (SN 0300087000 through 0300112346) | |
| 204 | 4711400 | 8 | Flatwasher 1/4in Thin (SN 0300087000 through 0300112346) | |
| 205 | 2920140 | 2 | Worklight | |
| 205 | 7016399 | 2 | Bulb, Replacement (1 Per Worklight) | |

SECTION 4 - PLATFORM

| ITEM | PART NUMBER | QTY | DESCRIPTION | REV |
|------|-------------|-----------|---|-----|
| 206 | 4240099 | 10 | Tie-Strap (Not Shown) | |
| 207 | 2820035 | 9 ft/2.7m | Loom, Vinyl (Not Shown) | |
| 209 | 4460426 | 1 | Connector, Strain Relief (Not Shown - Located at Console Box) | |
| | | Ref | TRAY INSTALLATIONS (OPTIONAL) | |
| 301 | 1580012 | 1 | Tray, Storage (Center) | |
| 302 | 1580013 | 1 | Tray, Storage (Rail Mounted - Not Shown) | |
| | | Ref | FLOODLIGHT INSTALLATION (OPTIONAL) | |
| | 0274209 | Ref | Floodlight Installation 600S & 600SJ | A |
| | 1001093274 | Ref | Floodlight Installation 660SJ | A |
| 401 | 0641518 | 2 | Bolt 5/16in-18NC x 2-1/4in | |
| 402 | 2560173 | 2 | Handle | |
| 403 | 2920157 | 2 | Lamp, Work Light | |
| 404 | 3250585 | 1 | Nameplate - Light On | |
| 405 | 4060802 | 1 | Guard, Switch | |
| 406 | 4360336 | 1 | Switch, Toggle | |
| 407 | 4420037 | 1 | Tape, Insulation (Not Shown) | |
| 408 | 4751800 | 2 | Flatwasher 1/2in Regular | |
| 409 | 4846561 | 1 | Mount, Light | |
| 410 | | Ref | Harness 12/3 Options (Not Shown): | |
| 410 | 4922888 | 1 | Harness 12/3, 600S & 600SJ | |
| 410 | 4922964 | 1 | Harness 12/3, 660SJ | |
| | | Ref | 2500W GENERATOR INSTALLATION (OPTIONAL) | |
| 501 | 4360336 | 1 | Switch, Toggle | |
| 501 | 4740397 | 1 | Bushing | |
| 501 | 4060802 | 1 | Guard, Switch | |
| 501 | 3251102 | 1 | Decal - Generator On/Off | |

SECTION 4 - PLATFORM

FIGURE 4-2. PLATFORM COMPONENTS INSTALLATION (FALL ARREST PLATFORM)



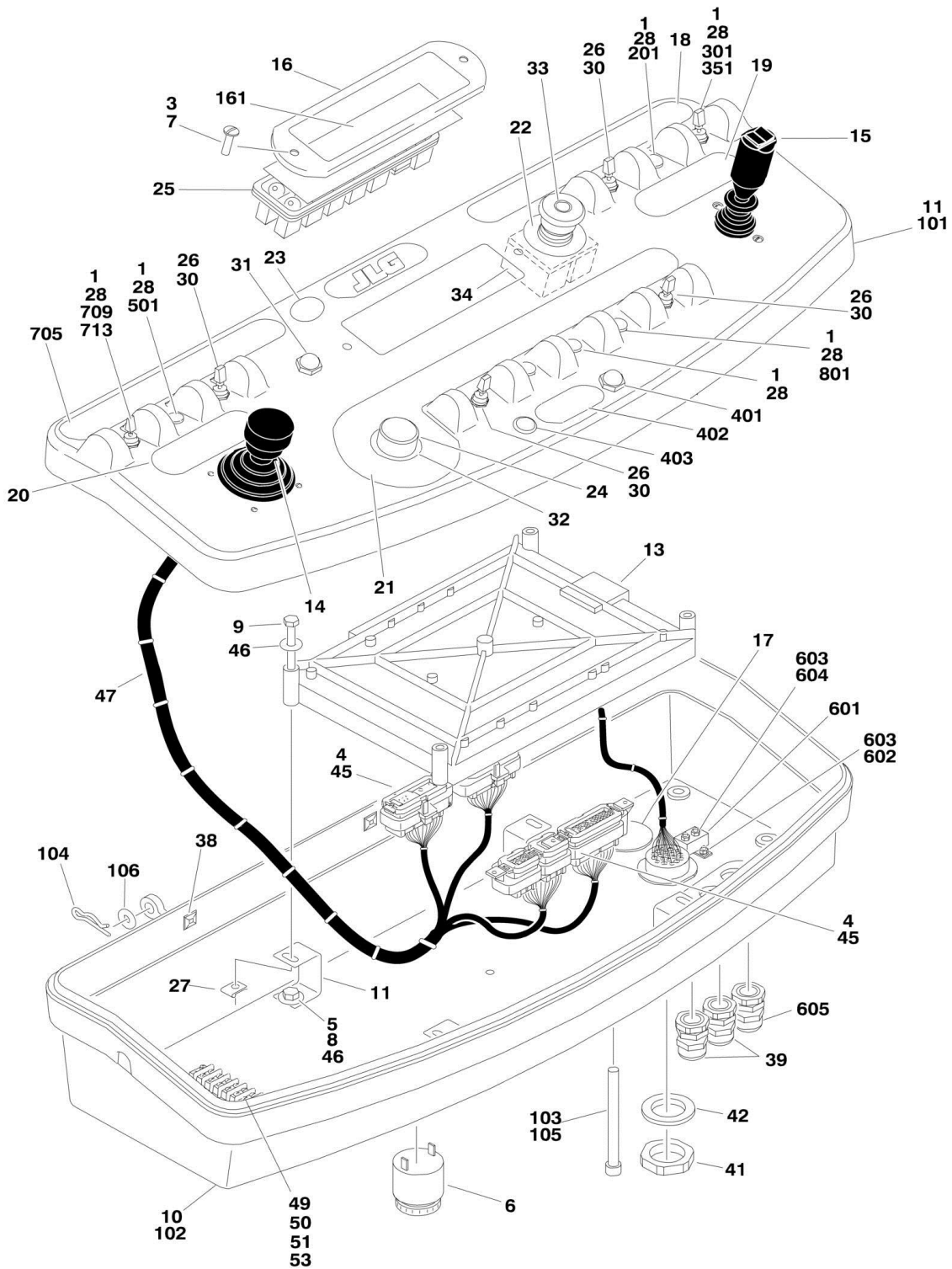
SECTION 4 - PLATFORM

FIGURE 4-2. PLATFORM COMPONENTS INSTALLATION (FALL ARREST PLATFORM)

| ITEM | PART NUMBER | QTY | DESCRIPTION | REV |
|------|-------------|-----|--|-----|
| | | Ref | Note: Only Available on USA Built Machines Only | |
| | | Ref | PLATFORM ASSEMBLY (FALL ARREST) | |
| | 3510884 | Ref | ANSI Spec (3ft x 6ft) | D |
| | 3510868 | Ref | ANSI Spec (3ft x 8ft) | E |
| | 3510877 | Ref | Australian Specs | D |
| | | Ref | Note: Fall Arrest Not Available on CE Spec Platform Assembly. | |
| 1 | 0681814 | 2 | Bolt 1/2in-13NC x 1-3/4in (Grade 8) | |
| 2 | 0681822 | 6 | Bolt 1/2in-13NC x 2-3/4in (Grade 8) | |
| 3 | 0962270 | 2 | Bearing, Oilite | |
| 4 | 1702773 | 1 | Decal - JLG | |
| 5 | | Ref | Decal - Safety Options: | |
| 5 | 1705014 | 1 | ANSI Spec | |
| 5 | 1706501 | 1 | Australian and CE Specs | |
| 6 | 2410014 | 1 | Gate Weldment | |
| 7 | 3271805 | 8 | Locknut 1/2in-13NC (Grade 8) | |
| 8 | 3311605 | 1 | Locknut 3/8in-16NC | |
| 9 | See Note | NSS | Platform Weldment (Note: Purchase Platform Assembly) | |
| 10 | 3520072 | 1 | Cap-Plug | |
| 11 | | Ref | Cable, Fall Arrest Options: | |
| 11 | 1060919 | 1 | ANSI Spec (3ft x 6ft) | |
| 11 | 3890040 | 1 | ANSI Spec (3ft x 8ft) | |
| 11 | 3890040 | 1 | Australian and CE Specs | |
| 12 | 3900054 | 1 | Bolt 1/2in-13NC x 1-3/4in | |
| 13 | 4711800 | 2 | Flatwasher 1/2in Thin | |
| 14 | 4751800 | 6 | Flatwasher 1/2in Regular | |
| 15 | | Ref | Decal - Drop Bar Options: | |
| 15 | 1706385 | 1 | ANSI Spec | |
| 15 | 1706493 | 1 | Australian and CE Specs | |

SECTION 4 - PLATFORM

FIGURE 4-3. PLATFORM CONSOLE ASSEMBLY (USA BUILT MACHINES) (SN 0300087000 through 0300138728)



SECTION 4 - PLATFORM

FIGURE 4-3. PLATFORM CONSOLE ASSEMBLY (USA BUILT MACHINES) (SN 0300087000 through 0300138728)

| ITEM | PART NUMBER | QTY | DESCRIPTION | REV |
|------|-------------|-----|--|-----|
| | 0861511 | Ref | CONSOLE BOX AND FOOTSWITCH ASSEMBLIES | J |
| 1 | 0100009 | AR | Sealant | |
| 3 | 0100035 | AR | Compound, Locking | |
| 4 | 0100048 | AR | Grease, Dielectric | |
| 5 | 0100081 | AR | Loctite #454 | |
| 6 | 0140011 | 1 | Alarm | |
| 7 | 0630464 | 2 | Screw, Button Head #10-24NC x 1/2in | |
| 8 | 0641404 | 4 | Bolt 1/4in-20NC x 1/2in | |
| 9 | 0641414 | 4 | Bolt 1/4in-20NC x 1-3/4in | |
| 10 | 0861537 | 1 | Box, Console (See Items 201-206 for Breakdown) | |
| 11 | 0902751 | 4 | Bracket, Module Support | |
| 13 | 1600375 | 1 | Controller, Module (Re-calibration Required when Replaced) | |
| 14 | 1600317 | NLA | Controller Assembly (Lift and Swing) (See CONTROLLER ASSEMBLY (LIFT AND SWING) for Breakdown) (Use p/n 1001129555) | |
| 15 | 1600318 | NLA | Controller Assembly (Drive and Steer) (See CONTROLLER ASSEMBLY (DRIVE AND STEER) for Breakdown) (Use p/n 1001212415) | |
| 16 | 1670829 | 1 | Bezel | |
| 17 | 1671037 | NLA | Cover (Use p/n 1001110434) | |
| 18 | | Ref | Decal (Stop) Options: | |
| 18 | 1704997 | 1 | Decal (SN 0300087000 through 0300136518) | |
| 18 | 1001107527 | 1 | Decal (SN 0300136519 through 0300138729) | |
| 19 | 1702565 | 1 | Decal (Drive and Steer) | |
| 20 | 1702566 | 1 | Decal (Lift and Swing) | |
| 21 | 1702567 | 1 | Decal (Function Speed) | |
| 22 | 1704260 | 1 | Decal - EMS | |
| 23 | 1705132 | 1 | Decal - ADE | |
| 24 | 2560136 | 1 | Handle, Knob | |
| 25 | 2760105 | 1 | Housing, Display Light | |
| 26 | 3790012 | 4 | O-Ring | |
| 27 | 3300353 | 4 | Nut, Tinnerman | |
| 28 | 3520054 | 6 | Plug, Hole 1/2in | |
| 30 | 4360328 | 4 | Switch, Toggle | |
| 31 | 4360387 | 1 | Switch, Pushbutton | |
| 32 | 4360407 | 1 | Controller, Speed | |
| 32 | See Note | NSS | Gasket "Top Hat" (Included with Switch) (Note: Not Available - Purchase Complete Controller) | |
| 32 | 70003784 | 1 | Seal | |
| 33 | 4360475 | 1 | Switch, Emergency Stop | |
| 33 | 7020175 | 1 | Cap, Red | |
| 33 | 7020176 | 1 | Contact Block | |
| 34 | 4360476 | 1 | Block, Contact | |
| 38 | 4460234 | AR | Terminal, Wire Tie Mounting | |
| 39 | 4460428 | 2 | Connector, Strain Relief | |
| 41 | 4460470 | 1 | Nut, Terminal | |
| 42 | 4460471 | 1 | Lockwasher, Terminal | |
| 44 | 4460708 | 2 | Connector, Female - 15 Position (Not Shown - See ELECTRICAL SECTION for Location) | |
| 45 | 4460905 | 5 | Connector, Amp Seal Plug | |

SECTION 4 - PLATFORM

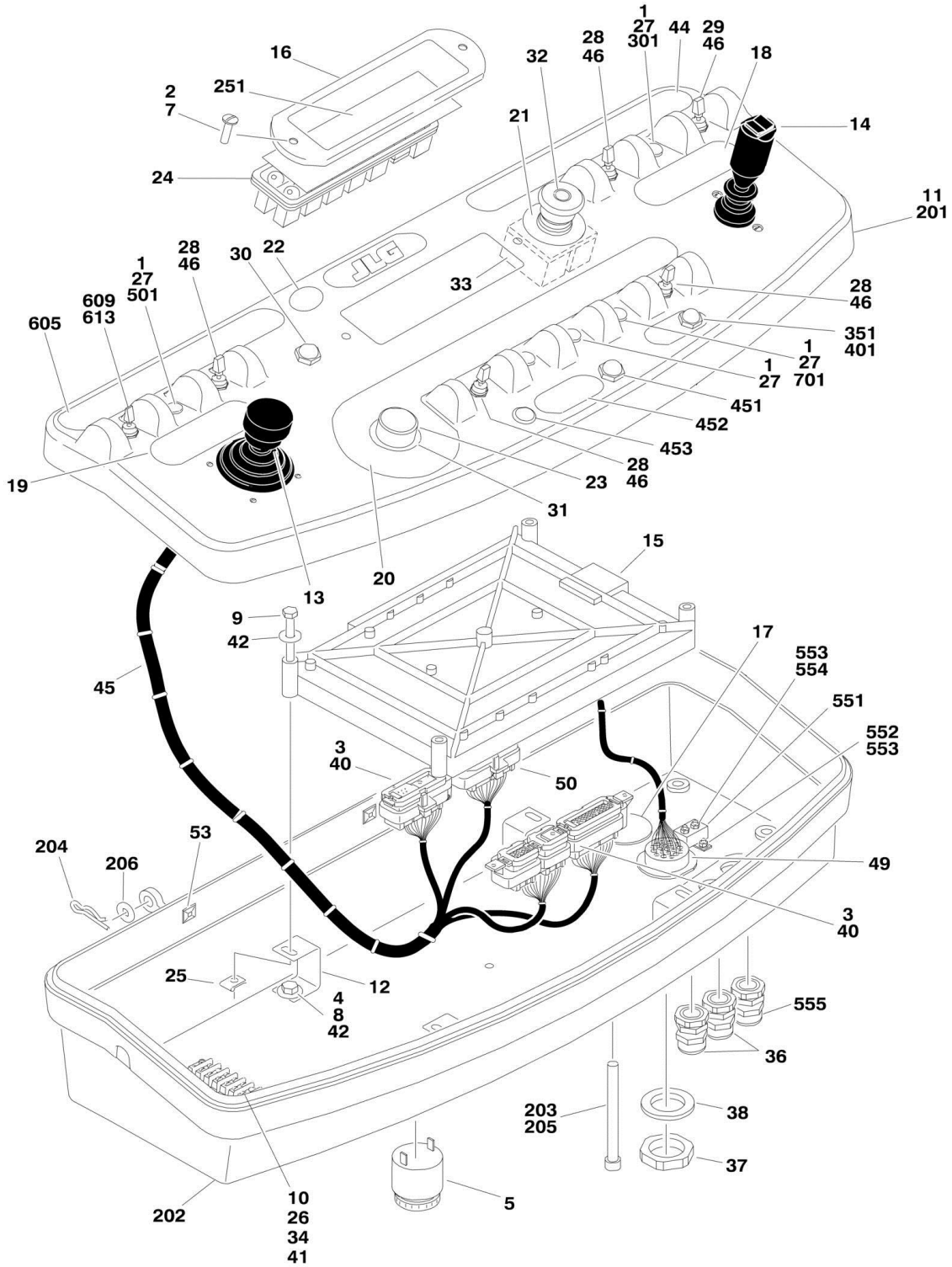
| ITEM | PART NUMBER | QTY | DESCRIPTION | REV |
|------|-------------|-----|---|-----|
| 46 | 4751400 | 8 | Flatwasher 1/4in Regular | |
| 47 | | Ref | Harness, Platform Box (See ELECTRICAL SECTION for Breakdown) | |
| 47 | 4922639 | 1 | Harness, Platform Box (SN 0300087000 through 0300136518) | |
| 47 | 1001107753 | 1 | Harness, Platform Box (SN 0300136519 through 0300138729) | |
| 48 | 4922666 | 1 | Harness, Analyzer Cable (Not Shown - See ELECTRICAL SECTION for Breakdown) | |
| 49 | 0721006 | 2 | Screw #10-24NC x 3/4in | |
| 50 | 3311005 | 2 | Locknut #10-24NC | |
| 51 | 4460007 | 1 | Bar, Buss | |
| 53 | 4751000 | 2 | Flatwasher #10 Regular | |
| | 0861537 | Ref | CONSOLE BOX ASSEMBLY | E |
| 101 | See Note | NSS | Console Top (Note: Not Available - Purchase Complete Console Box Assembly) | |
| 102 | See Note | NSS | Console Bottom (Note: Not Available - Purchase Complete Console Box Assembly) | |
| 103 | 3311601 | 1 | Nut 3/8in-16NC | |
| 104 | | Ref | Hardware Options: | |
| 104 | 3420156 | 2 | Pin, Cotter (SN 0300087000 through 0300088139) | |
| 104 | 3470003 | 2 | Pin, Hair (SN 0300088140 through 0300138729) | |
| 105 | 0630568 | 1 | Screw 3/8in-16NC x 4-1/2in | |
| 106 | 4711500 | 2 | Flatwasher 5/16in Thin | |
| | | Ref | LIGHT PANEL DECAL INSTALLATION | |
| | 0256631 | Ref | ANSI and CSA Specs | 2 |
| | 0256633 | Ref | ANSI Export, Australian, Brazilian, Japanese and Latin America Specs | 2 |
| | 0256632 | Ref | CE, ANSI Export, Australian and Japanese Specs | 2 |
| 161 | | Ref | Decal - Display Options: | |
| 161 | 1702387 | 1 | ANSI and CSA Specs | |
| 161 | 1703085 | 1 | ANSI Export, Australian, Brazilian, Japanese and Latin America Specs | |
| 161 | 1703084 | 1 | CE, ANSI Export, Australian and Japanese Specs | |
| | 0270764 | Ref | DUAL FUEL SWITCH INSTALLATION (FORD ENGINES ONLY) | 4 |
| 201 | 4360336 | 1 | Switch, Toggle | |
| 201 | 3790012 | 1 | O-Ring | |
| | 0271552 | Ref | HEAD AND TAIL LIGHTS INSTALLATIONS (OPTIONAL) | C |
| 301 | | Ref | Switch Options (Not Shown - Located on Console): | |
| 301 | 4360336 | 1 | Switch, Toggle (SN 0300087000 through 0300136518) | |
| 301 | 4360522 | 1 | Switch, Push Button (SN 0300136519 through 0300138729) | |
| 301 | 3790012 | 1 | O-Ring (Not Shown - Located on Console Only) (SN 0300087000 through 0300136519) | |
| | 0274210 | Ref | CHASSIS ILLUMINATION LIGHT INSTALLATION | B |
| 351 | | Ref | Switch Options (Not Shown - Located on Console): | |
| 351 | 4360336 | 1 | Switch, Toggle (SN 0300087000 through 0300136518) | |
| 351 | 4360522 | 1 | Switch, Push Button (SN 0300136519 through 0300138729) | |
| 351 | 3790012 | 1 | O-Ring (Not Shown - Located on Console Only) (SN 0300087000 through 0300136519) | |
| | | Ref | SOFT TOUCH SYSTEM INSTALLATION (OPTIONAL) | |
| | 0273824 | Ref | 6ft Platforms | A |
| | 0274927 | Ref | 6ft Platforms with Fall Arrest (SN 0300087000 through 0300136518) | A |
| | 1001108256 | Ref | 6ft Platforms with Fall Arrest (SN 0300136519 through 0300138729) | A |
| | 0272427 | Ref | 8ft Platform | C |

SECTION 4 - PLATFORM

| ITEM | PART NUMBER | QTY | DESCRIPTION | REV |
|------|-------------|-----|---|-----|
| | 0273706 | Ref | 8ft Platforms with Fall Arrest | A |
| 401 | 4360387 | 1 | Switch, Pushbutton | |
| 402 | 1702938 | 1 | Decal - Soft Touch Override | |
| 403 | 2920028 | 1 | Light, Indicator | |
| 403 | 2920029 | 1 | Bulb, Light | |
| | 0258945 | Ref | 4WS COMPONENTS INSTALLATION | A |
| 501 | 4360331 | 1 | Switch, Toggle | |
| 501 | 3790012 | 1 | O-Ring | |
| | | Ref | PLATFORM WORKLIGHT INSTALLATION (OPTIONAL) | |
| | 0273486 | Ref | Platform Worklight Installation 600S | C |
| | 0273490 | Ref | Platform Worklight Installation 600SJ | C |
| | 0273491 | Ref | Platform Worklight Installation 660SJ | C |
| 601 | 4360232 | 1 | Breaker, Circuit - 15Amp | |
| 602 | 0721003 | 2 | Bolt #10-24NC x 3/8in | |
| 603 | 4761000 | 4 | Lockwasher #10 | |
| 604 | 3311001 | 2 | Nut #10-24NC | |
| 605 | 4460426 | 1 | Connector, Strain Relief | |
| | 0271940 | Ref | CONSOLE BOX INSTALLATIONS | B |
| 705 | 1702676 | 1 | Decal - Horn | |
| 709 | 4360331 | 1 | Switch, Toggle | |
| 713 | 3790012 | 1 | O-Ring | |
| | | Ref | JIB SWITCH INSTALLATION (600SJ & 660SJ ONLY) | |
| 801 | 4360328 | 1 | Switch, Toggle | |
| 801 | 3790012 | 1 | O-Ring | |

SECTION 4 - PLATFORM

FIGURE 4-4. PLATFORM CONSOLE ASSEMBLY (USA BUILT MACHINES AND CHINA BUILT MACHINES) (SN 0300138729 through 0300171769, SN B300000100 through B300000969)



SECTION 4 - PLATFORM

FIGURE 4-4. PLATFORM CONSOLE ASSEMBLY (USA BUILT MACHINES AND CHINA BUILT MACHINES) (SN 0300138729 through 0300171769, SN B300000100 through B300000969)

| ITEM | PART NUMBER | QTY | DESCRIPTION | REV |
|------|-------------|-----|---|-----|
| | | Ref | Note: Machines "Without UGM" are ALL USA Built Machines. | |
| | | Ref | Note: Platform Console Module is different based on the Ground Control Module (i.e. with UGM or without UGM). For Ground Module identification, see Revision Log Page A. | |
| | | Ref | CONSOLE BOX AND FOOTSWITCH ASSEMBLIES | |
| | 1001108790 | Ref | Without UGM | C |
| | 1001114449 | Ref | With UGM (USA Built Machines) (use p/n 1001145895) | B-F |
| | 1001114449 | Ref | With UGM (China Built Machines) (Use p/n 1001145895) | B-F |
| 1 | 0100009 | AR | Sealant | |
| 2 | 0100035 | AR | Compound, Locking | |
| 3 | 0100048 | AR | Grease, Dielectric | |
| 4 | 0100081 | AR | Loctite #454 | |
| 5 | 0140011 | 1 | Alarm | |
| 7 | 0630464 | 2 | Screw, Button Head #10-24NC x 1/2in | |
| 8 | 0641404 | 4 | Bolt 1/4in-20NC x 1/2in | |
| 9 | 0641414 | 4 | Bolt 1/4in-20NC x 1 3/4in | |
| 10 | 0721006 | 2 | Screw #10-24NC x 3/4in | |
| 11 | 0861537 | 1 | Box, Console (See Items 201-206 for Breakdown) | |
| 12 | 0902751 | 4 | Bracket, Module Support | |
| 13 | | Ref | Controller Assembly (Lift and Swing) Options (See CONTROLLER ASSEMBLY (LIFT AND SWING) for Breakdown) | |
| 13 | 1600317 | NLA | Controller USA Built Machine (Use p/n 1001129555) (SN 0300087000 through 0300146163) | |
| 13 | 1001118417 | NLA | Controller USA Built Machines (Use p/n 100112955) (SN 0300146164 through 0300171769) | |
| 13 | 1600317 | NLA | Controller China Built Machines (Use p/n 1001129555) (SN B300000100 through B300000270) | |
| 13 | 1001118417 | NLA | Controller China Built Machines (Use p/n 1001129555) (SN B300000271 through B300000969) | |
| 14 | | Ref | Controller Assembly (Drive and Steer) Options (See CONTROLLER ASSEMBLY (DRIVE AND STEER) for Breakdown): | |
| 14 | 1600318 | NLA | Controller USA Built Machines (Use p/n 1001212415) (SN 0300087000 through 0300146163) | |
| 14 | 1001118416 | NLA | Controller USA Built Machines (Use p/n 1001212415) (SN 0300146164 through 0300171769) | |
| 14 | 1600318 | NLA | Controller China Built Machines (Use p/n 1001212415) (SN B300000100 through B300000270) | |
| 14 | 1001118416 | NLA | Controller China Built Machines (Use p/n 1001212415) (SN B300000271 through B300000969) | |
| 15 | | Ref | Controller, Module Options: | |
| | | Ref | Note: Re-calibration Required when Replaced. | |
| 15 | 1600375 | 1 | Without UGM | |
| 15 | 1001106355 | 1 | With UGM | |
| 16 | 1670829 | 1 | Bezel | |
| 17 | 1671037 | NLA | Cover (Use p/n 1001110434) | |
| 18 | 1702565 | 1 | Decal (Drive and Steer) | |
| 19 | 1702566 | 1 | Decal (Lift and Swing) | |
| 20 | 1702567 | 1 | Decal (Function Speed) | |
| 21 | 1704260 | 1 | Decal (EMS) | |
| 22 | 1705132 | 1 | Decal (ADE) | |

SECTION 4 - PLATFORM

| ITEM | PART NUMBER | QTY | DESCRIPTION | REV |
|------|-------------|-----|---|-----|
| 23 | 2560136 | 1 | Handle, Knob | |
| 24 | 2760105 | 1 | Housing, Display Light | |
| 24 | 2920129 | 12 | Bulb, Light | |
| 25 | 3300353 | 4 | Nut, Tinnerman | |
| 26 | 3311005 | 2 | Locknut #10-24NC | |
| 27 | 3520054 | 5 | Plug, Hole 1/2in | |
| 28 | 4360328 | 4 | Switch, Toggle | |
| 29 | 4360330 | 1 | Switch, Toggle | |
| 30 | 4360387 | 1 | Switch, Pushbutton | |
| 31 | 4360407 | 1 | Controller, Speed | |
| 31 | See Note | NSS | Gasket "Top Hat" (Included with Switch) (Note: Not Available - Purchase Complete Controller) | |
| 31 | 70003784 | 1 | Seal | |
| 32 | 4360475 | 1 | Switch, Emergency Stop | |
| 32 | 7020175 | 1 | Cap, Red | |
| 32 | 7020176 | 1 | Contact Block | |
| 33 | 4360476 | 1 | Block, Contact | |
| 34 | 4460007 | 1 | Bar, Buss | |
| 35 | 4460234 | 3 | Mount, Wire Tie (Not Shown - Used on bottom of Console Lid) | |
| 36 | 4460428 | 2 | Connector, Strain Relief | |
| 37 | 4460470 | 1 | Nut, Strain Relief | |
| 38 | 4460471 | 1 | Lockwasher, Strain Relief | |
| 39 | 4460708 | 2 | Connector, Female - 15 Position (Not Shown - Used on Console Box End of Footswitch Cable and Analyzer Harness) | |
| 40 | 4460905 | AR | Connector, Amp Seal Plug | |
| 41 | 4751000 | 2 | Flatwasher #10 Regular | |
| 42 | 4751400 | 8 | Flatwasher 1/4in Regular | |
| 43 | 4922666 | 1 | Harness, Analyzer Cable (Not Shown - See ELECTRICAL SECTION for Breakdown) | |
| 44 | 1001107677 | NLA | Decal (Stop) (Use p/n 1001131168) | |
| 45 | 1001107753 | 1 | Harness, Platform Box (See ELECTRICAL SECTION for Breakdown) | |
| 46 | 3790012 | 5 | O-Ring | |
| | | Ref | Decal Kit - Console Box Options: | |
| | 1001119562 | 1 | ANSI Spec (Includes Items 18-22, 44 & 251) | |
| | See Note | NSS | All Other Specs (Note: Not Available for Purchase) | |
| | 0861537 | Ref | CONSOLE BOX ASSEMBLY | G |
| 201 | See Note | NSS | Console Top (Note: Not Available - Purchase Complete Console Box Assembly) | |
| 202 | See Note | NSS | Console Bottom (Note: Not Available - Purchase Complete Console Box Assembly) | |
| 203 | 3311601 | 1 | Nut 3/8in-16NC | |
| 204 | 3470003 | 2 | Pin, Hair | |
| 205 | 0630568 | 1 | Screw 3/8in-16NC x 4-1/2in | |
| 206 | 4711500 | 2 | Flatwasher 5/16in Thin | |
| | | Ref | LIGHT PANEL DECAL INSTALLATION | |
| | 1001108763 | Ref | ANSI, ANSI Export, CSA, Brazilian, Japanese and Latin America Specs | B |
| | 1001108764 | Ref | CE, ANSI Export, Australian and Japanese Specs | A |
| 251 | | Ref | Decal - Display Options: | |
| 251 | 1001107927 | 1 | ANSI, ANSI Export, CSA, Brazilian, Japanese and Latin America Specs (USA Built Machines) (SN 0300138729 through 0300142585) | |

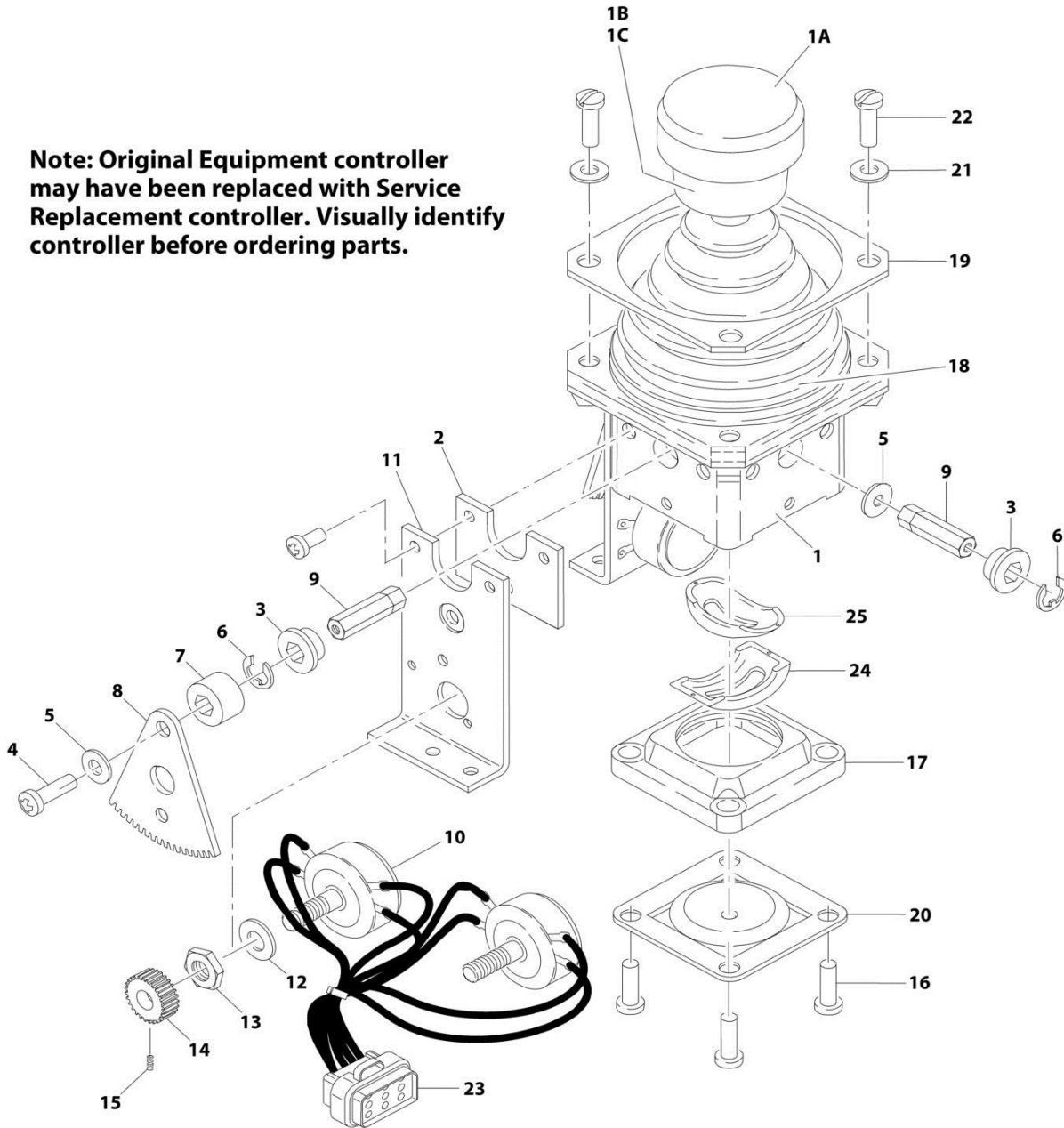
SECTION 4 - PLATFORM

| ITEM | PART NUMBER | QTY | DESCRIPTION | REV |
|------|-------------|-----|--|-----|
| 251 | 1001121657 | 1 | ANSI, ANSI Export, CSA, Brazilian, Japanese and Latin America Specs (USA Built Machines) (SN 0300142586 through 0300171769) | |
| 251 | 1001121657 | 1 | ANSI, ANSI Export, CSA, Brazilian, Japanese and Latin America Specs (China Built Machines) (SN B300000100 through B300000969) | |
| 251 | 1001107926 | 1 | CE, ANSI Export, Australian and Japanese Specs | |
| | | Ref | DUAL FUEL SWITCH INSTALLATION | |
| 301 | 4360336 | 1 | Switch, Toggle | |
| 301 | 3790012 | 1 | O-Ring | |
| | 0271552 | Ref | HEAD AND TAIL LIGHTS INSTALLATIONS (OPTIONAL) | C |
| 351 | 4360522 | 1 | Switch, Toggle (Not Shown - Located on Console) | |
| | 0274210 | Ref | CHASSIS ILLUMINATION LIGHT INSTALLATION | B |
| 401 | 4360522 | 1 | Switch, Toggle (Not Shown - Located on Console) | |
| | | Ref | SOFT TOUCH SYSTEM INSTALLATION (OPTIONAL) | |
| | 0273824 | Ref | 6ft Platforms | B |
| | 1001108256 | Ref | 6ft Platforms with Fall Arrest | A |
| | 0272427 | Ref | 8ft Platforms | E |
| | 0273706 | Ref | 8ft Platforms with Fall Arrest | B |
| 451 | 4360387 | 1 | Switch, Pushbutton | |
| 452 | 1702938 | 1 | Decal - Soft Touch Override | |
| 453 | 2920028 | 1 | Light, Indicator | |
| 453 | 2920029 | 1 | Bulb, Light | |
| | | Ref | 4WS COMPONENTS INSTALLATION | |
| | 0273357 | Ref | USA Built Machines | 1 |
| | 0258945 | Ref | China Built Machines | A |
| 501 | 4360331 | 1 | Switch, Toggle | |
| 501 | 3790012 | 1 | O-Ring | |
| | | Ref | PLATFORM WORKLIGHT INSTALLATION (OPTIONAL) | |
| | 0273486 | Ref | Platform Worklight Installation 600S | C |
| | 0273490 | Ref | Platform Worklight Installation 600SJ | C |
| | 0273491 | Ref | Platform Worklight Installation 660SJ | C |
| 551 | 4360232 | 1 | Breaker, Circuit - 15Amp | |
| 552 | 0721003 | 2 | Bolt #10-24NC x 3/8in | |
| 553 | 4761000 | 4 | Lockwasher #10 | |
| 554 | 3311001 | 2 | Nut #10-24NC | |
| 555 | 4460426 | 1 | Connector, Strain Relief | |
| | | Ref | CONSOLE BOX INSTALLATIONS | |
| | 1001108791 | Ref | All Specs except CE UK Spec and CE German Spec (Without UGM) | A |
| | 1001108792 | Ref | CE UK Spec and CE German Spec Only (Without UGM) | A |
| | 1001114447 | Ref | All Specs (With UGM) (USA Built Machines) (Use p/n 1001145896) | A-D |
| | 1001114447 | Ref | All Specs (With UGM) (China Built Machines) | D |
| 605 | 1702676 | 1 | Decal - Horn | |
| 609 | 4360331 | 1 | Switch, Toggle | |
| 613 | 3790012 | 1 | O-Ring | |
| | | Ref | JIB SWITCH INSTALLATION (600SJ & 660SJ ONLY) | |
| 701 | 4360328 | 1 | Switch, Toggle | |
| 701 | 3790012 | 1 | O-Ring | |

SECTION 4 - PLATFORM

FIGURE 4-5. CONTROLLER ASSEMBLY (LIFT AND SWING)

Note: Original Equipment controller may have been replaced with Service Replacement controller. Visually identify controller before ordering parts.



ART_1600317

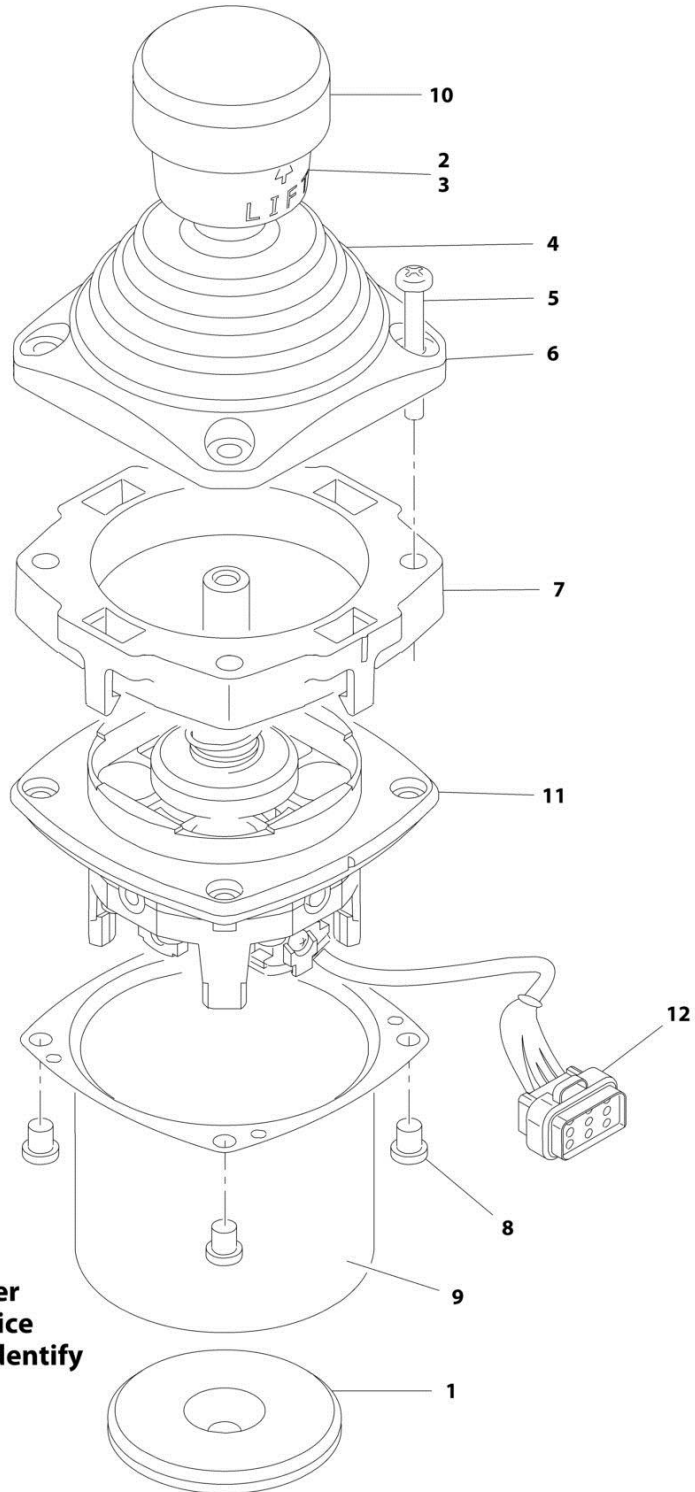
SECTION 4 - PLATFORM

FIGURE 4-5. CONTROLLER ASSEMBLY (LIFT AND SWING)

| ITEM | PART NUMBER | QTY | DESCRIPTION | REV |
|------|-------------|-----|--|-----|
| | | Ref | Note: Original Equipment controller may have been replaced with Service Replacement controller. Visually identify controller before ordering parts. | |
| | 1600317 | Ref | CONTROLLER ASSEMBLIES | |
| | 1600317 | Ref | Controller Assembly (USA Built Machines) (SN 0300087000 through 0300146162) | C |
| | 1600317 | Ref | Controller Assembly (China Built Machines) (SN B300000100 through B300000270) | C |
| 1 | 7019141 | 1 | Note: Use p/n 1001129555 Kit as Replacement. Mechanical Assembly (Includes Base, Handle Stem and Items 1A, 1B, 1C & 18) | |
| 1A | 7019197 | 1 | Handle Cap and Rod | |
| 1B | 7003928 | 1 | Spring | |
| 1C | 7022808 | 1 | Cap, Lift | |
| 2 | 7019171 | 2 | Plate | |
| 3 | 7019111 | 4 | Bearing, Gear | |
| 4 | 7019143 | 2 | Screw | |
| 5 | 7019144 | 2 | Spacer, Cam | |
| 6 | 7019145 | 4 | E-Clip | |
| 7 | 7019174 | 2 | Spacer | |
| 8 | 7003977 | 2 | Gear, Drive | |
| 9 | | Ref | Shaft Options: | |
| 9 | 7019147 | 2 | Shaft, Short | |
| 9 | 7019177 | 2 | Shaft, Long | |
| 10 | 7022818 | 2 | Potentiometer | |
| 11 | 7019142 | 2 | Plate | |
| 12 | 7003992 | 2 | Washer | |
| 13 | 7003993 | 2 | Nut | |
| 14 | 7003976 | 2 | Gear, Slave | |
| 15 | 7019149 | 2 | Setscrew | |
| 16 | 7022816 | 4 | Screw | |
| 17 | 7019150 | 1 | Gate | |
| 18 | 7022814 | 1 | Boot | |
| 19 | 7022815 | 1 | Bezel | |
| 20 | See Note | NSS | Center, Detent (Note: Use p/n 1001129555) | |
| 21 | 7003953 | 4 | Washer | |
| 22 | 7022817 | 4 | Screw | |
| 23 | 7022819 | 1 | Plug, Male 8 Position (Natural) | |
| 23 | 4460871 | 8 | Socket, Female | |
| 24 | 7019122 | 1 | Gimble, Outer | |
| 25 | 7019123 | 1 | Gimble, Inner | |

SECTION 4 - PLATFORM

FIGURE 4-6. CONTROLLER ASSEMBLY (LIFT AND SWING)



Note: Original Equipment controller may have been replaced with Service Replacement controller. Visually identify controller before ordering parts.

ART_1001118417

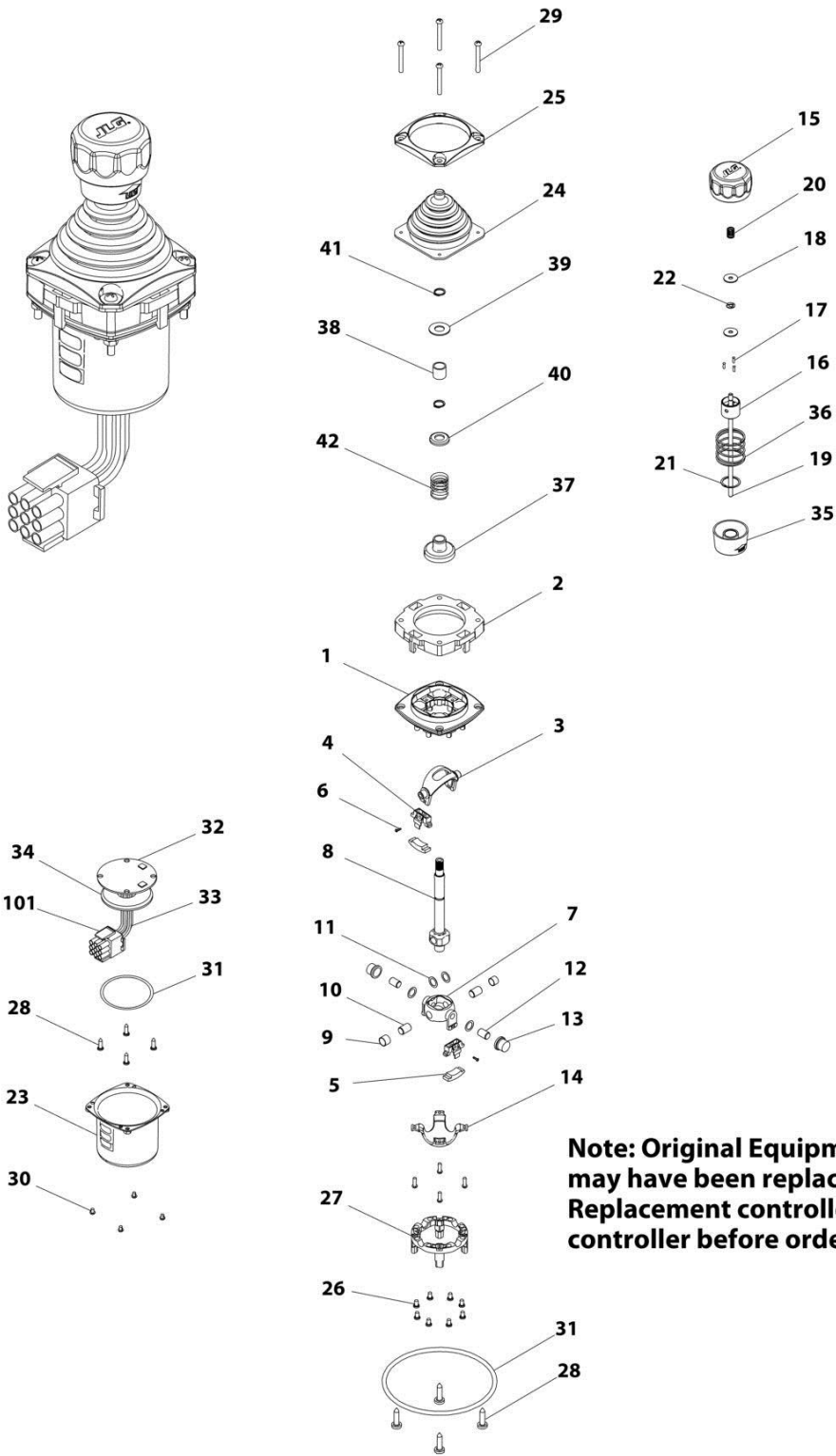
SECTION 4 - PLATFORM

FIGURE 4-6. CONTROLLER ASSEMBLY (LIFT AND SWING)

| ITEM | PART NUMBER | QTY | DESCRIPTION | REV |
|------|-------------|-----|--|-----|
| | | Ref | Note: Original Equipment controller may have been replaced with Service Replacement controller. Visually Identify controller before ordering parts. | |
| | 1001118417 | Ref | CONTROLLER ASSEMBLY (LIFT AND SWING) (SN 0300146164 through 0300171769) | A |
| | 1001118417 | Ref | CONTROLLER ASSEMBLY (LIFT AND SWING) (SN B300000271 through B300000969) | E |
| | | Ref | Note: Use p/n 1001129555 as Replacement. | |
| 1 | 70002730 | 1 | Gasket | |
| 2 | 7003928 | 1 | Spring | |
| 3 | 7022808 | 1 | Cap, Lift | |
| 4 | 70002731 | 1 | Boot | |
| 5 | 70002732 | 4 | Screw | |
| 6 | 7022815 | 1 | Bezel | |
| 7 | 70002733 | 1 | Adapter | |
| 8 | 70002734 | 4 | Screw | |
| 9 | 70002735 | 1 | Can, Enclosure | |
| 10 | 70002906 | 1 | Cap | |
| 11 | See Note | NSS | Mechanical Assembly (Note: Use p/n 1001129555) | |
| 12 | 7022819 | 1 | Connector - 8 Position | |
| 12 | 4460871 | 6 | Socket, Female | |

SECTION 4 - PLATFORM

FIGURE 4-7. CONTROLLER ASSEMBLY (LIFT AND SWING)



Note: Original Equipment controller may have been replaced with Service Replacement controller. Visually identify controller before ordering parts.

ART_1001166539

SECTION 4 - PLATFORM

FIGURE 4-7. CONTROLLER ASSEMBLY (LIFT AND SWING)

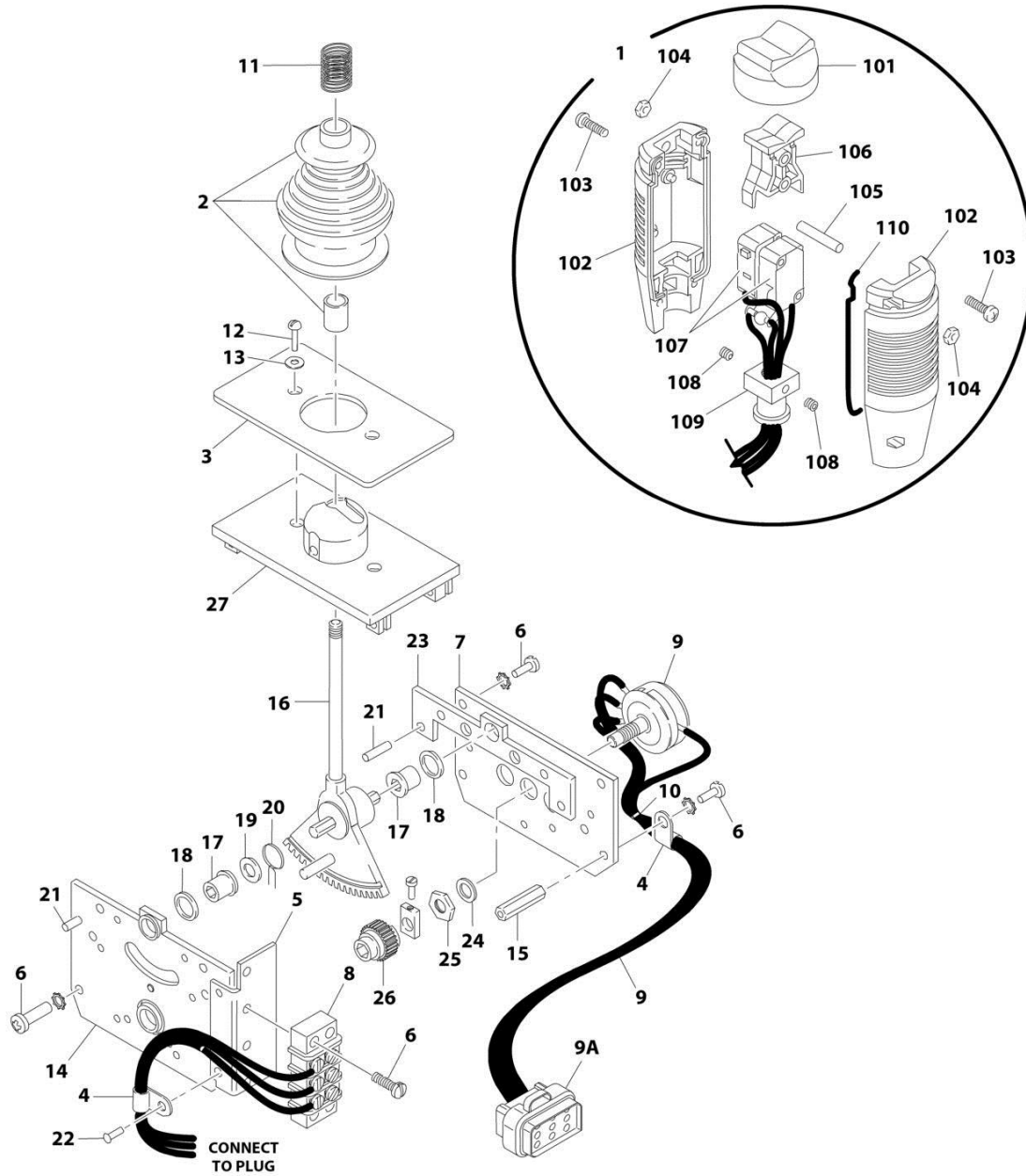
| ITEM | PART NUMBER | QTY | DESCRIPTION | REV |
|------|-------------|-----|--|-----|
| | | Ref | Note: Original Equipment controller may have been replaced with Service Replacement controller. Visually identify controller before ordering parts. | |
| | 1001166539 | Ref | CONTROLLER ASSEMBLY (LIFT AND SWING) (SERVICE REPLACEMENT) | D |
| | | Ref | Note: Use p/n 1001129555 as Replacement. | |
| 1 | See Note | 1 | Main Cast Body (Note: Not Available - Purchase Complete Assembly) | |
| 2 | 70004752 | 1 | Adapter | |
| 3 | See Note | NSS | Pivot Arm, Plastic (Note: Not Available - Purchase Complete Assembly) | |
| 4 | See Note | NSS | Holder, Magnet (Note: Not Available - Purchase Complete Assembly) | |
| 5 | See Note | NSS | Arc, Magnet (Note: Not Available - Purchase Complete Assembly) | |
| 6 | See Note | NSS | Screw (Note: Not Available for Purchase) | |
| 7 | See Note | NSS | Pivot Arm, Cast (Note: Not Available - Purchase Complete Assembly) | |
| 8 | See Note | NSS | Shaft, Main (Note: Not Available - Purchase Complete Assembly) | |
| 9 | See Note | NSS | Bearing (Note: Not Available - Purchase Complete Assembly) | |
| 10 | See Note | NSS | Pin (Note: Not Available - Purchase Complete Assembly) | |
| 11 | See Note | NSS | Shim (Note: Not Available - Purchase Complete Assembly) | |
| 12 | See Note | NSS | Pin (Note: Not Available - Purchase Complete Assembly) | |
| 13 | See Note | NSS | Bearing (Note: Not Available - Purchase Complete Assembly) | |
| 14 | See Note | NSS | Dome, Centering (Note: Not Available - Purchase Complete Assembly) | |
| 15 | 70004753 | 1 | Cap | |
| 16 | 70004754 | 1 | Insert, Cap | |
| 17 | 70004755 | 3 | Pin | |
| 18 | 70004756 | 2 | Washer | |
| 19 | 70004757 | 1 | Pin, Centering | |
| 20 | 70004758 | 1 | Spring | |
| 21 | 70004759 | 1 | Ring, Retaining | |
| 22 | 70004760 | 1 | E-Ring | |
| 23 | 70004761 | 1 | Can, Enclosure | |
| 24 | 70004762 | 1 | Boot | |
| 25 | 70004763 | 1 | Bezel | |
| 26 | See Note | NSS | Screw (Note: Not Available for Purchase) | |
| 27 | See Note | NSS | Base Mounting (Note: Not Available - Purchase Complete Assembly) | |
| 28 | See Note | NSS | Screw (Note: Not Available for Purchase) | |
| 29 | 70004764 | 4 | Screw | |
| 30 | 70004765 | 4 | Screw | |
| 31 | 70004766 | 1 | O-Ring | |
| 32 | See Note | NSS | Plate (Note: Not Available - Purchase Complete Assembly) | |
| 33 | See Note | NSS | Harness (Note: Not Available - Purchase Complete Assembly) | |
| 34 | 70004767 | 1 | Grommet, Rubber | |
| 35 | 70004768 | 1 | Housing | |
| 36 | 70004769 | 1 | Spring | |
| 37 | 70004770 | 1 | Stopper | |
| 38 | 70004771 | 1 | Spacer | |
| 39 | 70004772 | 1 | Washer | |
| 40 | 70004773 | 1 | Disc | |

SECTION 4 - PLATFORM

| ITEM | PART NUMBER | QTY | DESCRIPTION | REV |
|------|-------------|-----|------------------------|-----|
| 41 | 70004774 | 2 | Ring, Retaining | |
| 42 | 70004775 | 1 | Spring | |
| 101 | 4460265 | 1 | Connector - 9 Position | |
| 101 | 4460226 | 6 | Socket, Female | |

SECTION 4 - PLATFORM

FIGURE 4-8. CONTROLLER ASSEMBLY (DRIVE AND STEER)



Note: Original Equipment controller may have been replaced with Service Replacement controller. Visually identify controller before ordering parts.

ART_1600318

SECTION 4 - PLATFORM

FIGURE 4-8. CONTROLLER ASSEMBLY (DRIVE AND STEER)

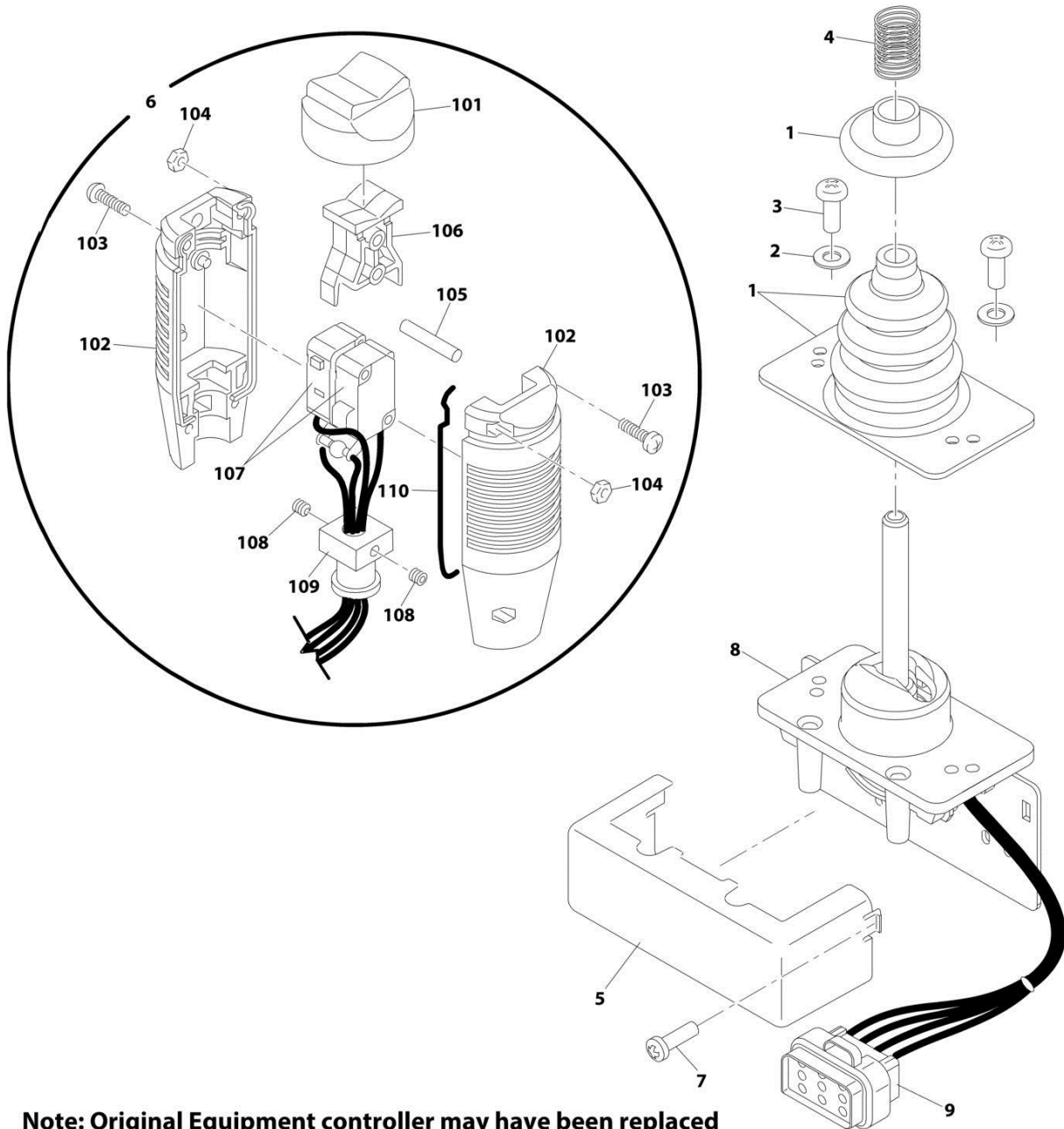
| ITEM | PART NUMBER | QTY | DESCRIPTION | REV |
|------|-------------|-----|--|-----|
| | | Ref | Note: Original Equipment controller may have been replaced with Service Replacement controller. Visually identify controller before ordering parts. | |
| | | Ref | CONTROLLER ASSEMBLIES | |
| | 1600318 | Ref | Controller Assembly (USA Built Machines) (SN 0300087000 through 0300146162) | C |
| | 1600318 | Ref | Controller Assembly (China Built Machines) (SN B300000100 through B300000270) | C |
| | | Ref | Note: Use p/n 1001212415 as Replacement. | |
| 1 | 7022812 | 1 | Handle Assembly (See Items 101-110 for Breakdown) | |
| 2 | 7019161 | 1 | Boot and Sleeve | |
| 3 | 7003933 | 1 | Gasket | |
| 4 | 7019154 | 2 | Clamp, Wire | |
| 5 | 7022823 | 1 | Bracket, Mounting | |
| 6 | 7003994 | 1 | Screw | |
| 7 | 7022822 | 1 | Plate, Pot Mounting | |
| 8 | 7003986 | 1 | Strip, Terminal - 3 Position | |
| 9 | 7022824 | 1 | Electric Assembly | |
| 9A | 1001113961 | 1 | Plug, Male - 8 Position (Black) (was p/n 7022825) | |
| 9A | 4460871 | 7 | Socket, Female | |
| 10 | 7019151 | AR | Tie-Strap | |
| 11 | 7019162 | 1 | Spring | |
| 12 | 7003969 | 2 | Screw | |
| 13 | 7003941 | 2 | Washer | |
| 14 | See Note | NSS | Plate, Mounting (Left Side) (Note: Use p/n 1001166538) | |
| 15 | 7019115 | 2 | Stand-Off | |
| 16 | 7019155 | 1 | Shaft 8mm | |
| 17 | 7019111 | 2 | Bearing | |
| 18 | 7019110 | 2 | Spacer, Head Gear | |
| 19 | 7019112 | 1 | Washer | |
| 20 | 7003946 | 1 | Spring, Return | |
| 21 | 7019103 | 4 | Pin | |
| 22 | See Note | NSS | Rivet (Note: Not Available - Purchase Locally) | |
| 23 | 7019168 | 1 | Plate, Mounting (Right Side) | |
| 24 | 7003992 | 1 | Washer | |
| 25 | 7003993 | 1 | Nut | |
| 26 | 7003935 | 1 | Gear, Slave | |
| 27 | 7019160 | 1 | Plate, Base | |
| 28 | 7019114 | 1 | Coupling, Potentiometer | |
| 29 | See Note | NSS | Cup Point Screw (Note: Not Available - Purchase Locally) | |
| | | Ref | HANDLE ASSEMBLY | |
| 101 | 7003972 | 1 | Boot, Switch | |
| 102 | 7003973 | 2 | Half, Handle | |
| 103 | 7003980 | 4 | Screw | |
| 104 | 7019167 | 4 | Nut | |
| 105 | 7019164 | 1 | Axle | |
| 106 | 7019165 | 1 | Rocker | |
| 107 | See Note | NSS | Wiring for Controller Assembly p/n 1600318 (Note: Use p/n 1001166538) | |
| 107 | 7019166 | 2 | Switch, Micro | |
| 108 | 7003983 | 2 | Setscrew | |

SECTION 4 - PLATFORM

| ITEM | PART NUMBER | QTY | DESCRIPTION | REV |
|------|-------------|-----|-------------|-----|
| 109 | 7019194 | 1 | Coupling | |
| 110 | 7003989 | 2 | Gasket | |

SECTION 4 - PLATFORM

FIGURE 4-9. CONTROLLER ASSEMBLY (DRIVE AND STEER)



Note: Original Equipment controller may have been replaced with Service Replacement controller. Visually identify controller before ordering parts.

ART_1001118416

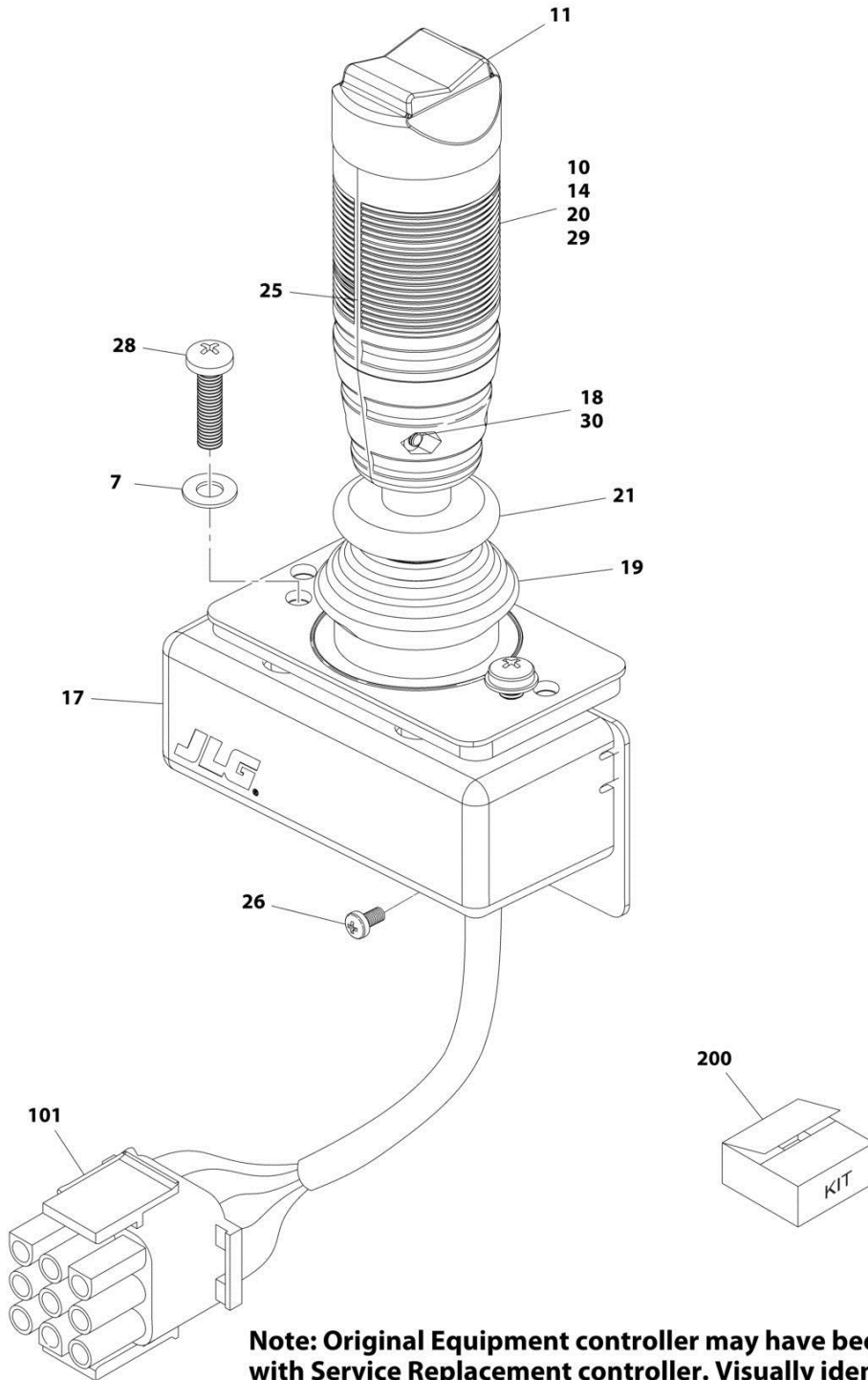
SECTION 4 - PLATFORM

FIGURE 4-9. CONTROLLER ASSEMBLY (DRIVE AND STEER)

| ITEM | PART NUMBER | QTY | DESCRIPTION | REV |
|------|-------------|-----|--|-----|
| | | Ref | Note: Original Equipment controller may have been replaced with Service Replacement controller. Visually identify controller before ordering parts. | |
| | 1001118416 | Ref | CONTROLLER ASSEMBLY (DRIVE AND STEER) (SN 0300146163 through 0300171769) | D |
| | 1001118416 | Ref | CONTROLLER ASSEMBLY (DRIVE AND STEER) (SN B300000271 through B300000969) | D |
| | | Ref | Note: Use p/n 1001212415 as Replacement. | |
| 1 | 70002724 | 1 | Boot and Control Lock Assembly | |
| 2 | 7003941 | 2 | Washer | |
| 3 | 70002725 | 2 | Screw | |
| 4 | 7019162 | 1 | Spring | |
| 5 | 70002726 | 1 | Enclosure | |
| 6 | 70002727 | 1 | Handle Assembly (See Items 101-110 for Breakdown) | |
| 7 | 70002728 | 1 | Screw | |
| 8 | See Note | NSS | Mechanical Assembly (Note: Use p/n 1001166538) | |
| 9 | 1001113961 | 1 | Plug, Male - 8 Position (Black) (was p/n 7022825) | |
| 9 | 4460871 | 7 | Socket, Female | |
| | 70002727 | Ref | HANDLE ASSEMBLY | |
| 101 | 7003972 | 1 | Boot, Switch | |
| 102 | 7003973 | 2 | Half, Handle | |
| 103 | 7003980 | 4 | Screw | |
| 104 | 7019167 | 4 | Nut | |
| 105 | 7019164 | 1 | Axle | |
| 106 | 7019165 | 1 | Rocker | |
| 107 | 70002729 | 1 | Wiring Assembly | |
| 107 | 7003982 | 2 | Switch, Micro | |
| 108 | 7003983 | 2 | Set Screw | |
| 109 | 7019194 | 1 | Coupling | |
| 110 | 7003989 | 2 | Gasket | |

SECTION 4 - PLATFORM

FIGURE 4-10. CONTROLLER ASSEMBLY (DRIVE AND STEER)



Note: Original Equipment controller may have been replaced with Service Replacement controller. Visually identify controller before ordering parts.

ART_1001166538

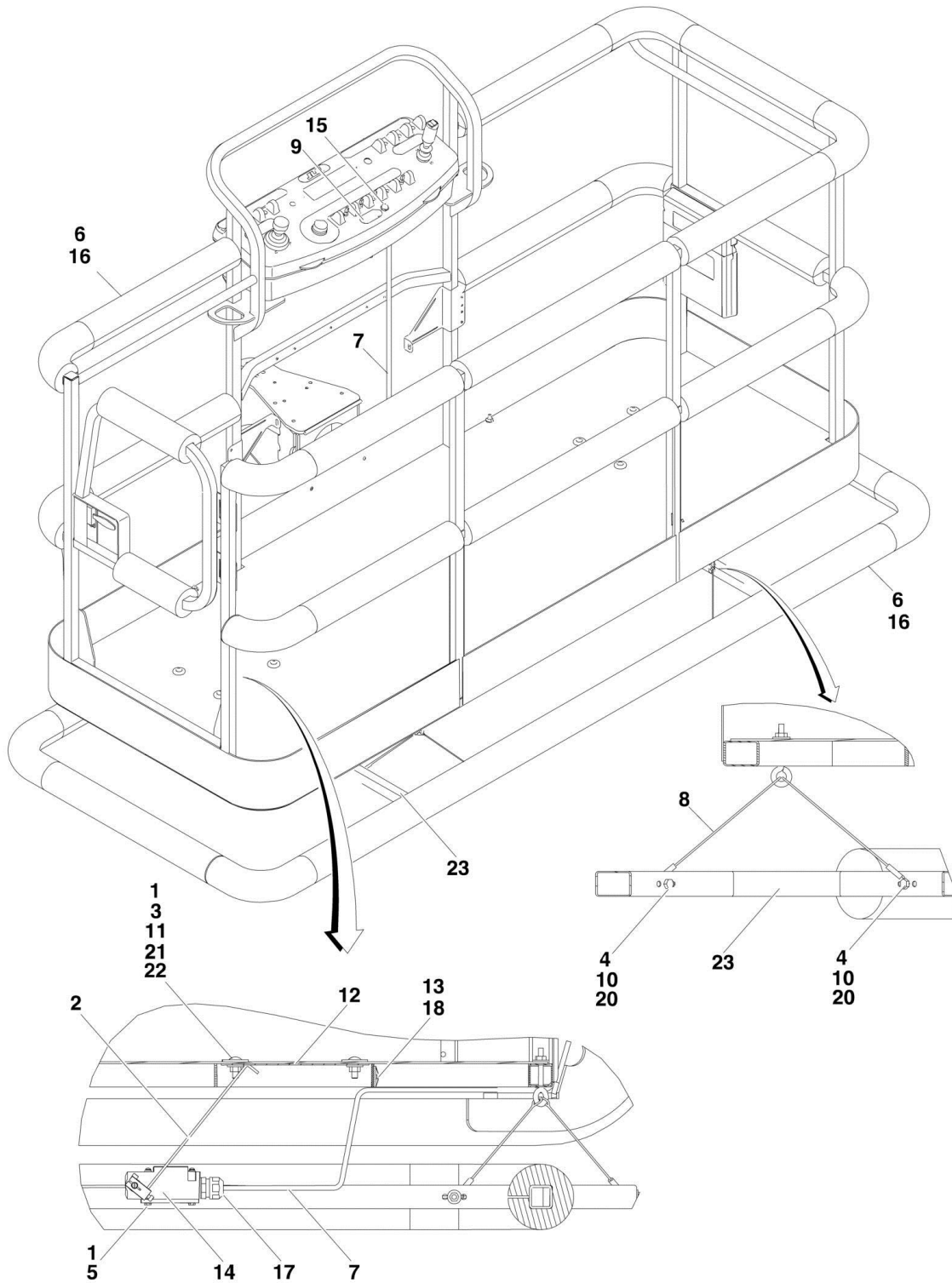
SECTION 4 - PLATFORM

FIGURE 4-10. CONTROLLER ASSEMBLY (DRIVE AND STEER)

| ITEM | PART NUMBER | QTY | DESCRIPTION | REV |
|------|-------------|-----|--|-----|
| | | Ref | Note: Original Equipment controller may have been replaced with Service Replacement controller. Visually identify controller before ordering parts. | |
| | 1001166538 | Ref | CONTROLLER ASSEMBLY (DRIVE AND STEER) (SERVICE REPLACEMENT) | F |
| | | Ref | Note: Use p/n 1001212415 as Replacement. | |
| 7 | 70004738 | 2 | Washer | |
| 10 | 70004739 | 1 | Roller | |
| 11 | 70004740 | 1 | Boot, Switch | |
| 14 | 70004741 | 2 | Half, Handle | |
| 17 | 70004742 | 1 | Enclosure | |
| 18 | 70004743 | 4 | Nut | |
| 19 | 70004744 | NLA | Boot, Controller (Note: Use Item 200) | |
| 20 | 70004745 | NLA | Tube, Locking (Note: Use Item 200) | |
| 21 | 70004746 | NLA | Disc, Locking (Note: Use Item 200) | |
| 25 | 70004747 | 2 | Seal, Rope | |
| 26 | 70004748 | 1 | Screw, M3 x 6 | |
| 28 | 70004749 | 2 | Screw, M5 x 20 | |
| 29 | 70004750 | 1 | Pin, Dowel | |
| 30 | 70004751 | 4 | Screw, M3 x 16 | |
| 101 | 4460265 | 1 | Connector - 9 Position | |
| 101 | 4460226 | 7 | Socket, Female | |
| 200 | 70005230 | 1 | Boot Kit (Includes Items 19-21) | |

SECTION 4 - PLATFORM

FIGURE 4-11. SOFT TOUCH SYSTEM INSTALLATION (OPTIONAL)



SECTION 4 - PLATFORM

FIGURE 4-11. SOFT TOUCH SYSTEM INSTALLATION (OPTIONAL)

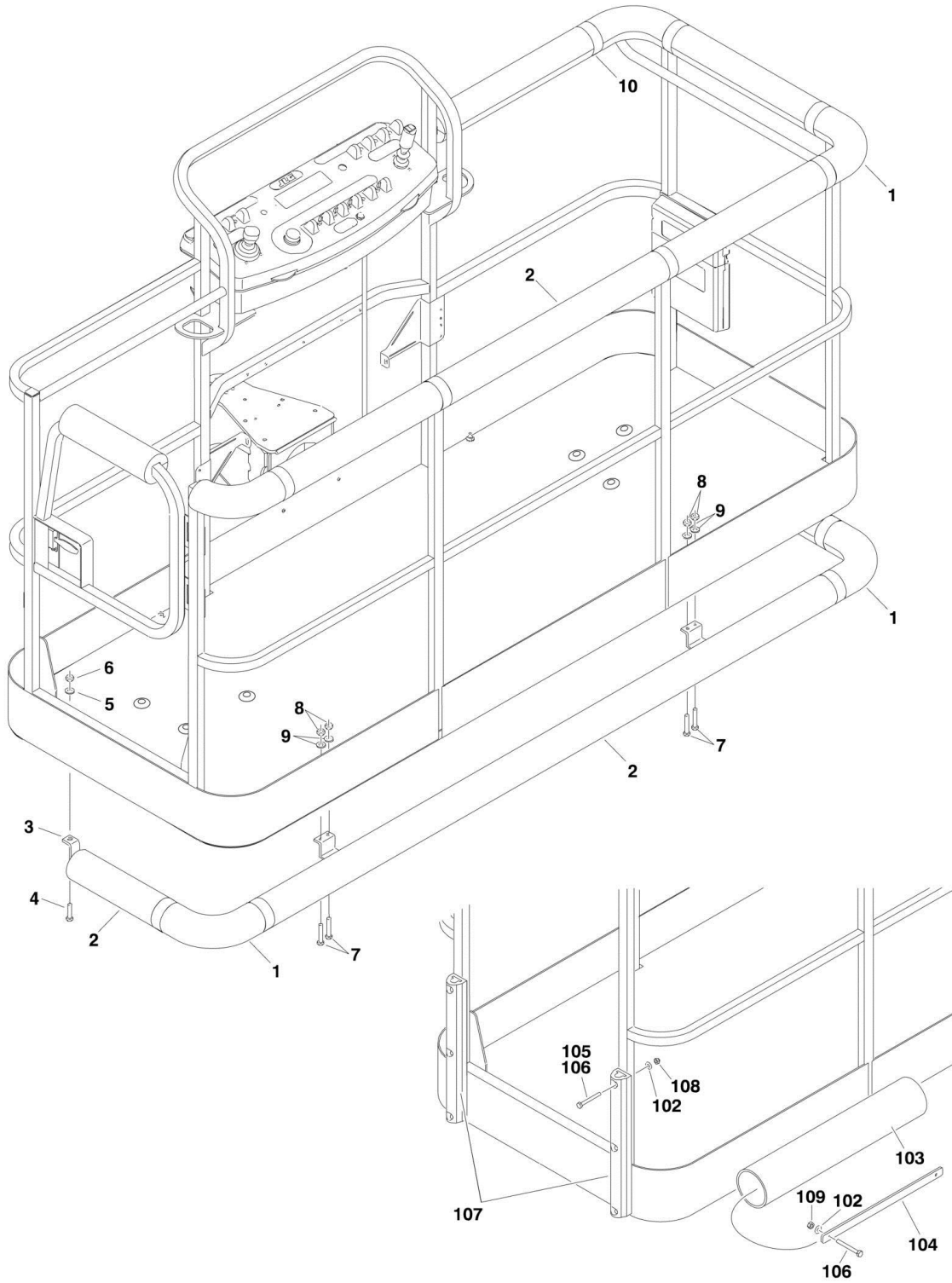
| ITEM | PART NUMBER | QTY | DESCRIPTION | REV |
|------|-------------|------------|--|-----|
| | | Ref | SOFT TOUCH SYSTEM INSTALLATIONS | |
| | 0273824 | Ref | 6ft Platforms (Side Entry Platform) | A |
| | 0272427 | Ref | 8ft Platforms (Side Entry Platform) | E |
| | 0274927 | Ref | 6Ft/1.8m Platforms (Fall Arrest Platform) (USA Built Machines) (SN 0300087000 through 0300136518) | A |
| | 1001108256 | Ref | 6Ft/1.8m Platforms (Fall Arrest Platform) (USA Built Machines) (SN 0300136519 through 0300171769) | A |
| | 0273706 | Ref | 8Ft/2.4m Platforms (Fall Arrest Platform) | A |
| | | Ref | Note: For Overhead Soft Touch, See SPECIAL OPTIONS SECTION. | |
| 1 | 0100011 | AR | Compound, Locking | |
| 2 | 0200048 | 2 | Arm, Switch | |
| 3 | 0630462 | 8 | Bolt, Carriage | |
| 4 | 0641414 | 8 | Bolt 1/4in-20NC x 1-3/4in | |
| 5 | 0721005 | 4 | Bolt #10-24NC x 5/8in | |
| 6 | | Ref | Bumper Kits (Includes Corners and Enough Straight Material for One Platform) | |
| 6 | 0940134 | 1 | 6ft Platforms (Side Entry Platform) | |
| 6 | 0940103 | 1 | 8ft Platforms (Side Entry Platform) | |
| 6 | 0940177 | 1 | 6Ft/1.8m Platforms (Fall Arrest Platform) | |
| 6 | 0940133 | 1 | 8Ft/2.4m Platforms (Fall Arrest Platform) | |
| 6 | 0940092 | 1 | Bumper (Corner) Options: | |
| 6 | 0940092 | 12 | Standard Side Entry Platform | |
| 6 | 0940092 | 8 | Fall Arrest Platforms | |
| 6 | 0940094 | AR | Bumper | |
| 7 | 1060341 | Ref | Cable, Electrical - 16/2 Options: | |
| 7 | 1060341 | 22 ft/6.7m | 6ft Platform | |
| 7 | 1060341 | 23 ft/7m | 8ft Platform | |
| 8 | 1060903 | 4 | Wire Rope and Eyebolt Assembly | |
| 9 | 1702938 | 1 | Decal - Soft Touch Override | |
| 10 | 3311401 | 8 | Nut 1/4in-20NC | |
| 11 | 3311501 | 8 | Nut 5/16in-18NC | |
| 12 | | Ref | Plate, Switch Strike Options: | |
| 12 | 3575359 | 2 | 6ft Platform | |
| 12 | 3574091 | 2 | 8ft Platform | |
| 13 | 4240099 | 7 | Tie-Strap | |
| 14 | 4360057 | 2 | Switch, Limit | |
| 15 | 4360387 | 1 | Switch, Push Button | |
| 16 | 4420068 | 1 | Tape, Adhesive | |
| 17 | 4460049 | 2 | Connector, Strain Relief | |
| 18 | 4460234 | 7 | Tie-Strap | |
| 19 | 4460425 | 1 | Connector, Strain Relief | |
| 20 | 4751400 | 8 | Flatwasher 1/4in Regular | |
| 21 | 4751500 | 12 | Flatwasher 5/16in Regular | |
| 22 | 4751800 | 8 | Flatwasher 1/2in Regular | |
| 23 | | Ref | Rail, Soft Touch Options: | |
| 23 | 3641569 | 1 | 6ft Platform | |
| 23 | 4846673 | 1 | 8ft Platform | |
| 100 | | Ref | Soft Touch Add-on Kit Options (Includes required components to add option to existing machines) (Not Shown): | |
| | | Ref | Note: May not be available for all machines depending on | |

SECTION 4 - PLATFORM

| ITEM | PART NUMBER | QTY | DESCRIPTION | REV |
|------|-------------|-----|--|-----|
| | | | existing options. Contact JLG Parts Dept before ordering. | |
| 100 | 1001121592 | 1 | 3ft x 6ft (.9m x 1.83m) Platform | |
| 100 | 1001121593 | 1 | 3ft x 6ft (.9m x 2.44m) Platform | |

SECTION 4 - PLATFORM

FIGURE 4-12. PLATFORM BUMPER PADDING INSTALLATIONS (OPTIONAL)



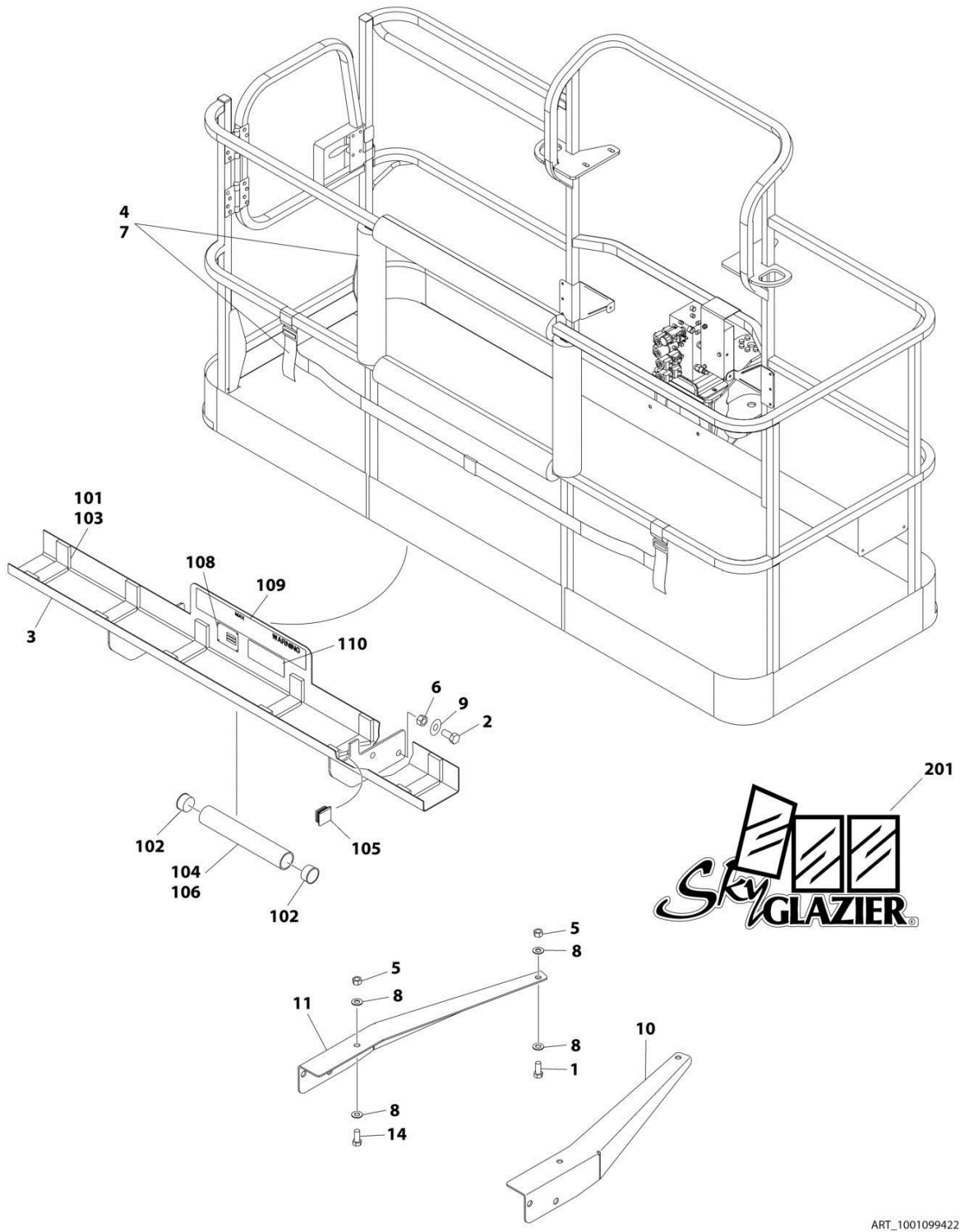
SECTION 4 - PLATFORM

FIGURE 4-12. PLATFORM BUMPER PADDING INSTALLATIONS (OPTIONAL)

| ITEM | PART NUMBER | QTY | DESCRIPTION | REV |
|------|-------------|------------|-----------------------------|-----|
| | 0273542 | Ref | PADDING INSTALLATION | A |
| 1 | 0940092 | 4 | Bumper, Pad (Corner) | |
| 2 | 0940094 | 9 ft/2.7m | Bumper, Pad (Square Tubing) | |
| 3 | 0940131 | 1 | Bumper, Rail | |
| 4 | 0641516 | 2 | Bolt 5/16in-18NC x 2in | |
| 5 | 4751500 | 2 | Flatwasher 5/16in | |
| 6 | 3311505 | 2 | Locknut 5/16in-18NC | |
| 7 | 0641813 | 4 | Bolt 1/2in-13NC x 1-5/8in | |
| 8 | 3311805 | 4 | Locknut 1/2in-13NC | |
| 9 | 4891800 | 4 | Flatwasher 1/2in (Hardened) | |
| 10 | 4420068 | 30 ft/9.1m | Tape | |
| | 1001110982 | Ref | BUMPER INSTALLATION | D |
| 102 | 4711400 | 10 | Flatwasher 1/4in Thin | |
| 103 | 1001110979 | 3 | Bumper | |
| 104 | 1001110980 | 3 | Clamp, Bumper | |
| 105 | 0100011 | AR | Compound, Locking | |
| 106 | 0641418 | 10 | Bolt 1/4in-20NC x 2-1/4in | |
| 107 | 0940159 | 2 | Bumper | |
| 108 | 3300430 | 4 | Nut, Acorn 1/4in-20NC | |
| 109 | 3311405 | 6 | Locknut 1/4in-20NC | |

SECTION 4 - PLATFORM

FIGURE 4-13. SKYGLAZIER INSTALLATION



ART_1001099422

SECTION 4 - PLATFORM

FIGURE 4-13. SKYGLAZIER INSTALLATION

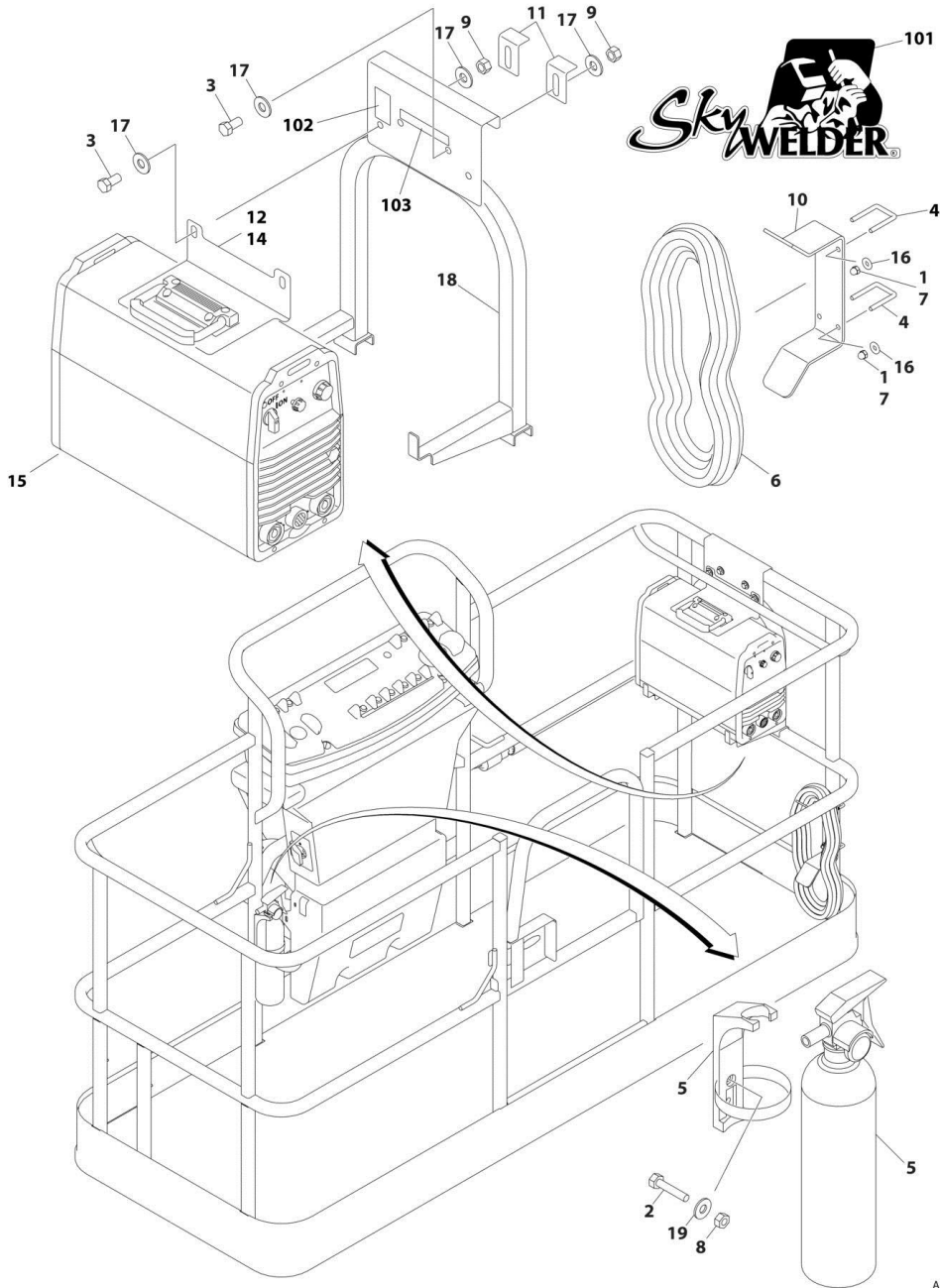
| ITEM | PART NUMBER | QTY | DESCRIPTION | REV |
|------|-------------|-----|--|-----|
| | 0272395 | Ref | SKYGLAZIER INSTALLATION (ANSI AND CSA SPECS) (USA BUILT MACHINES) (SN 0300087000 through 0300124131) | 3 |
| | 1001099376 | Ref | SKYGLAZIER INSTALLATION (ANSI AND CSA SPECS) (USA BUILT MACHINES) (SN 0300124132 through 0300131101) | B |
| | 1001101422 | Ref | SKYGLAZIER INSTALLATION (ANSI AND CSA SPECS) (USA BUILT MACHINES) (SN 0300131102 through 0300171769) | C |
| | 1001101422 | Ref | SKYGLAZIER INSTALLATION (AUSTRALIAN SPECS WITHOUT LSS) | C |
| | 1001102647 | Ref | SKYGLAZIER INSTALLATION (AUSTRALIAN SPECS WITH LSS) | C |
| | 0272955 | Ref | SKYGLAZIER INSTALLATION (BRAZIL SPECS) (USA BUILT MACHINES) (SN 0300087000 through 0300124131) | 3 |
| | 1001099422 | Ref | SKYGLAZIER INSTALLATION (BRAZIL SPECS) (SN 0300124132 through 0300171769) | C |
| | 0272387 | Ref | SKYGLAZIER INSTALLATION (LATIN AMERICAN SPECS) (USA BUILT MACHINES) (SN 0300087000 through 0300124131) | 3 |
| | 1001099421 | Ref | SKYGLAZIER INSTALLATION (LATIN AMERICAN SPECS) (SN 0300124132 through 0300171769) | C |
| | | Ref | Note: Only Available on 600S for Brazil and Latin American Specs. Available on 600S & 660SJ for ANSI, ANSI Export, Australian and CSA Specs. | |
| 1 | 0642012 | 2 | Bolt 5/8 x 1-1/2 | |
| 1 | 0642026 | 2 | Bolt 5/8 x 3-1/4 | |
| 2 | 0642212 | 4 | Bolt 3/4 x 1-1/2 | |
| 3 | 0272391 | NLA | Tray Assembly (Use p/n 1001101421) (All Spec except Brazil and Latin American Specs) (See Items 101-110 for Breakdown) (SN 0300087000 through 0300131101) | |
| 3 | 1001101421 | 1 | Tray Assembly (All Spec except Brazil and Latin American Specs) (See Items 101-110 for Breakdown) (SN 0300131102 through 0300171769) | |
| 3 | 0272951 | 1 | Tray Assembly (Brazil Spec) (See Items 101-110 for Breakdown) | |
| 3 | 0272948 | 1 | Tray Assembly (Latin American Spec) (See Items 101-110 for Breakdown) | |
| 4 | 2902212 | 1 | Bumpers and Strap Kit | |
| 4 | 0940102 | 1 | Bumper Only | |
| 4 | 4240149 | 1 | Strap Only | |
| 5 | 3312005 | 4 | Nut 5/8 | |
| 5 | 1001149924 | AR | Nut, Plastic 5/8 | |
| 6 | 3312205 | 4 | Nut 3/4 | |
| 7 | 4420014 | AR | Tape | |
| 8 | 4712000 | 6 | Washer 5/8 | |
| 9 | 4712200 | 8 | Washer 3/4 | |
| 10 | 1001099366 | 1 | Support | |
| 11 | 1001099367 | 1 | Support | |
| 14 | 8310129 | 2 | Bolt 5/8 x 2-1/2 | |
| 14 | 0642026 | 2 | Bolt 5/8 x 3-1/4 | |
| 14 | 8310230 | 2 | Bolt 5/8 x 4 | |
| | 0272391 | Ref | TRAY ASSEMBLY (ALL SPECS EXCEPT BRAZIL AND LATIN AMERICAN SPECS) (SN 0300087000 through 0300131101) | 3 |
| | 1001101421 | Ref | TRAY ASSEMBLY (ALL SPECS EXCEPT BRAZIL AND LATIN AMERICAN SPECS) (SN 0300131102 through 0300171769) | E |
| | 0272951 | Ref | TRAY ASSEMBLY (BRAZIL SPECS) | E |
| | 0272948 | Ref | TRAY ASSEMBLY (LATIN AMERICAN SPECS) | E |
| 101 | 0100081 | AR | Adhesive | |

SECTION 4 - PLATFORM

| ITEM | PART NUMBER | QTY | DESCRIPTION | REV |
|------|-------------|-----|---|-----|
| 102 | 1120555 | 2 | Cap, Tube | |
| 103 | 3340956 | 1 | Pad Kit | |
| 104 | 3460334 | 1 | Tube | |
| 105 | 3520071 | 2 | Plug | |
| 106 | 4420066 | AR | Tape, Double Sided | |
| 108 | See Note | NSS | Nameplate - Serial Number (Note: Not Available for Purchase) | |
| 109 | 1001163131 | 1 | Decal - Glazier Capacity (All Specs except Brazil and Latin American Specs) | |
| 109 | 1001163297 | 2 | Decal - Glazier Capacity (Brazil Specs) | |
| 109 | 1001163296 | 2 | Decal - Glazier Capacity (Latin American Specs) | |
| 110 | 1701509 | 2 | Decal - Manual | |
| | 0272418 | Ref | SKYGLAZIER DECAL INSTALLATION | |
| 201 | 1705358 | 2 | Decal - SkyGlazier | |

SECTION 4 - PLATFORM

FIGURE 4-14. SKYWELDER INSTALLATION (50HZ)



ART_0272521

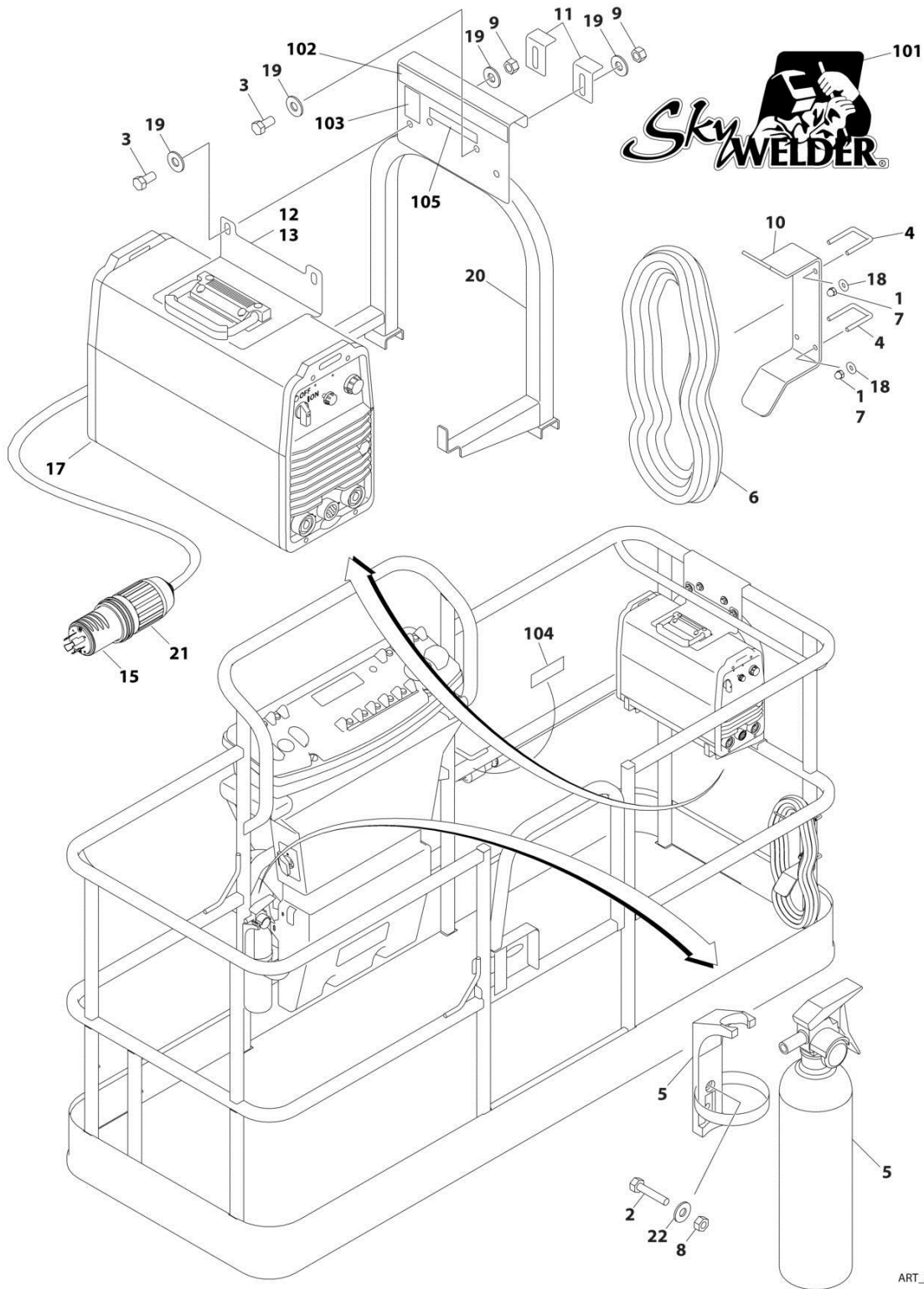
SECTION 4 - PLATFORM

FIGURE 4-14. SKYWELDER INSTALLATION (50HZ)

| ITEM | PART NUMBER | QTY | DESCRIPTION | REV |
|------|-------------|-----|--|-----|
| | 0272521 | Ref | SKYWELDER INSTALLATION (50HZ) | F |
| | | Ref | Note: USA Built Machines ANSI Export, Australian, CE and Japanese Specs Only. | |
| | | Ref | Note: China Built Machines ANSI Export, Australian and China Spec Only | |
| 1 | 0100011 | AR | Compound, Locking | |
| 2 | 0630518 | 2 | Screw #10 x 3/4 | |
| 3 | 0641606 | 4 | Bolt 3/8 x 3/4 | |
| 4 | 1320302 | 2 | U-Clamp | |
| 5 | 2030010 | 1 | Extinguisher, Fire | |
| 6 | 2902217 | 1 | Weld Leads Kit | |
| 7 | 3300151 | 4 | Nut 1/4 | |
| 8 | 3311005 | 2 | Nut #10 | |
| 9 | 3311605 | 4 | Nut 3/8 | |
| 10 | 3573400 | 1 | Bracket | |
| 11 | 3577121 | 2 | Angle | |
| 12 | 3573642 | 1 | Plate | |
| 13 | 4240099 | AR | Tie-Strap (Not Shown) | |
| 14 | 4420037 | AR | Tape | |
| 15 | 4530028 | 1 | Welder Assembly (See WELDER ASSEMBLY for Breakdown) | |
| 16 | 4751400 | 4 | Washer 1/4 | |
| 17 | 4751600 | 8 | Washer 3/8 | |
| 18 | 4846627 | 1 | Support | |
| 19 | 4751000 | 2 | Washer #10 | |
| | 0272588 | Ref | SKYWELDER DECAL INSTALLATION | B |
| 101 | 1705355 | 2 | Decal - SkyWelder | |
| 102 | 1705305 | 1 | Decal - Weld Lead | |
| 103 | 1705466 | NLA | Decal - Weight (Use p/n 1001228988) | |

SECTION 4 - PLATFORM

FIGURE 4-15. SKYWELDER INSTALLATION (60HZ)



ART_0272254

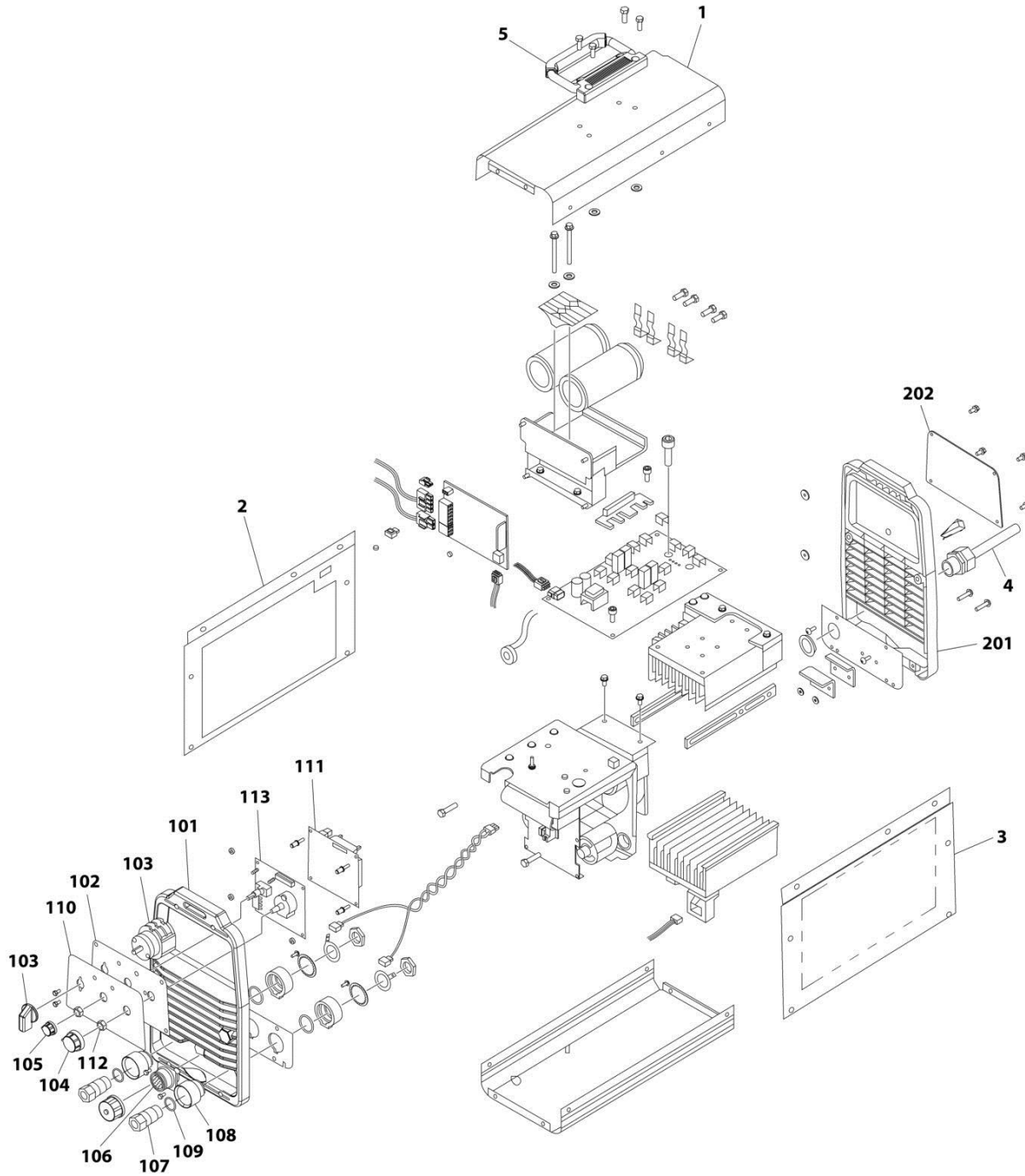
SECTION 4 - PLATFORM

FIGURE 4-15. SKYWELDER INSTALLATION (60HZ)

| ITEM | PART NUMBER | QTY | DESCRIPTION | REV |
|------|-------------|-----|---|-----|
| | 0272254 | Ref | SKYWELDER INSTALLATION (60HZ) | I |
| | | Ref | Note: USA Built Machines ANSI, ANSI Export and CSA Specs Only. | |
| | | Ref | Note: China Built Machines ANSI Export and China Spec Only. | |
| 1 | 0100011 | AR | Compound, Locking | |
| 2 | 0630518 | 2 | Screw #10 x 3/4 | |
| 3 | 0641606 | 4 | Bolt 3/8 x 3/4 | |
| 4 | 1320302 | 2 | U-Clamp | |
| 5 | 2030010 | 1 | Extinguisher, Fire | |
| 6 | 2902217 | 1 | Weld Leads Kit | |
| 7 | 3300151 | 4 | Nut 1/4 | |
| 8 | 3311005 | 2 | Nut #10 | |
| 9 | 3311605 | 4 | Nut 3/8 | |
| 10 | 3573400 | 1 | Bracket | |
| 11 | 3577121 | 2 | Angle | |
| 12 | 3573642 | 1 | Plate | |
| 13 | 4420037 | AR | Tape | |
| 14 | 4240099 | AR | Tie-Strap (Not Shown) | |
| 15 | 4460962 | 1 | Plug, Male Twistlock | |
| 17 | 4530028 | 1 | Welder Assembly (See WELDER ASSEMBLY for Breakdown) | |
| 18 | 4751400 | 4 | Washer 1/4 | |
| 19 | 4751600 | 8 | Washer 3/8 | |
| 20 | 4846627 | 1 | Support | |
| 21 | 1671093 | 1 | Cover, Plug | |
| 22 | 4751000 | 2 | Washer #10 | |
| | 0272448 | Ref | SKYWELDER DECAL INSTALLATION | B |
| 101 | 1705355 | 2 | Decal - SkyWelder | |
| 102 | 1702868 | 1 | Decal - No Hands | |
| 103 | 1705305 | 1 | Decal - Weld Lead | |
| 104 | 1705375 | 1 | Decal - 240V - 3 Phase - 60Hz | |
| 105 | 1705466 | NLA | Decal - Weight (Use p/n 1001228988) | |

SECTION 4 - PLATFORM

FIGURE 4-16. WELDER ASSEMBLY



ART_4530028

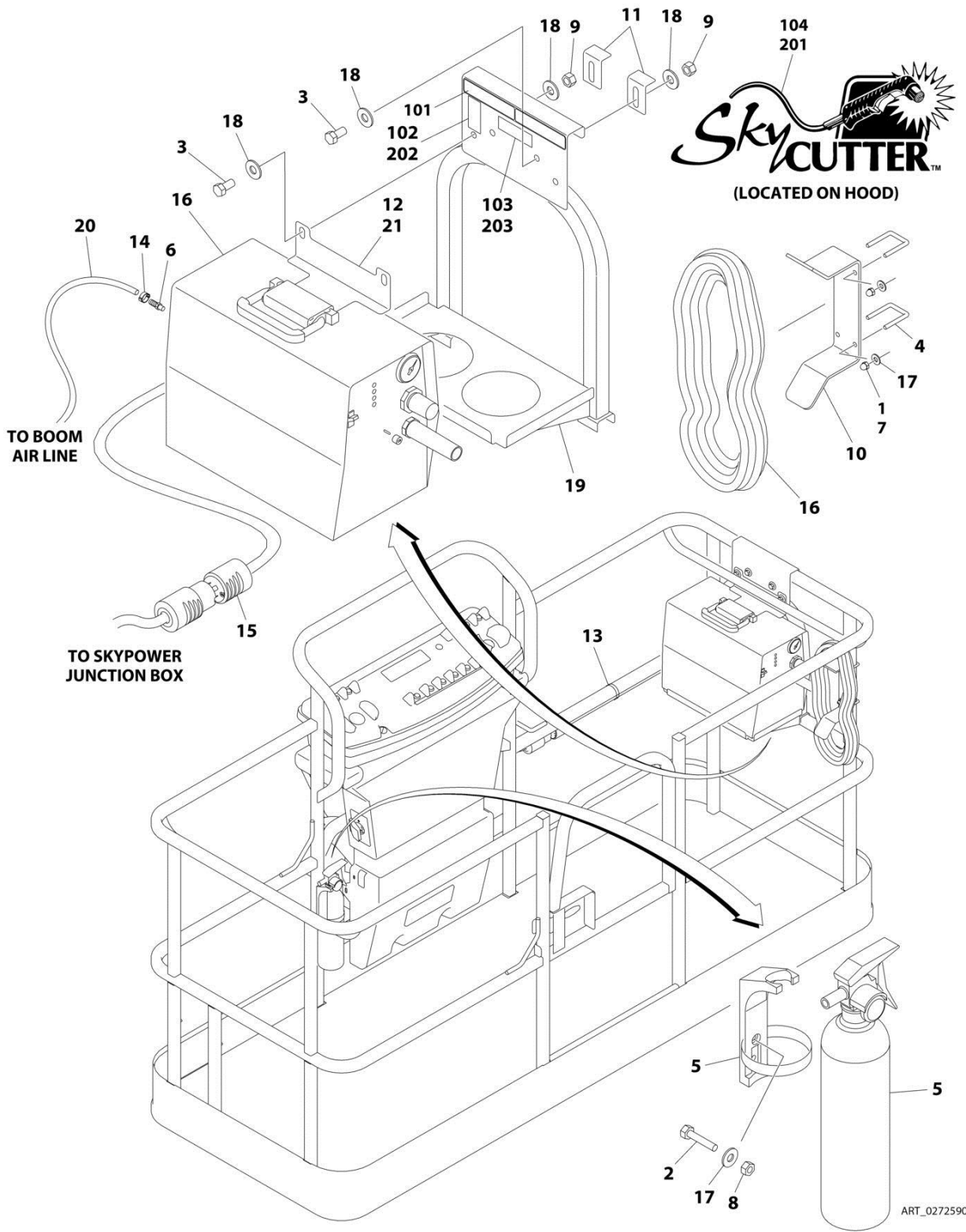
SECTION 4 - PLATFORM

FIGURE 4-16. WELDER ASSEMBLY

| ITEM | PART NUMBER | QTY | DESCRIPTION | REV |
|------|-------------|-----|---|-----|
| | 4530028 | Ref | WELDER ASSEMBLY | B |
| | | Ref | Note: For Other Components, contact your Miller Welder Dealer. | |
| 1 | 7027773 | 1 | Cover, Top | |
| 1 | 7027774 | 1 | Decal - Static Precautionary Warning | |
| 2 | See Note | NSS | Panel, LH Side (Note: Part of Item 1. Purchase Item 1) | |
| 3 | See Note | NSS | Panel, RH Side (Note: Part of Item 1. Purchase Item 1) | |
| 4 | 7024467 | 1 | Cable, Power | |
| 4 | 7027775 | 1 | Decal - Electrical Shock Warning (Not Shown) | |
| 5 | 7027776 | 1 | Handle, Carrying | |
| 101 | 7024462 | 1 | Panel, Front | |
| 102 | 7024463 | 1 | Panel, Console | |
| 103 | 7024469 | 1 | Switch with Lead | |
| 104 | 7024470 | 1 | Knob | |
| 105 | 7024471 | 1 | Knob | |
| 106 | 7024472 | 1 | Receptacle with Leads and Plugs | |
| 107 | 7024473 | 2 | Receptacle, Twistlock Female | |
| 108 | 7024474 | 2 | Insulator | |
| 109 | 7024475 | 2 | O-Ring | |
| 110 | 7027777 | 1 | Nameplate | |
| 111 | 7027779 | 1 | Circuit Card Assembly (Process Control) | |
| 112 | 7024478 | 2 | Nut | |
| 113 | 7027778 | 1 | Circuit Card Assembly (Operator Interface) | |
| 201 | 7024462 | 1 | Panel, Rear | |
| 202 | 7027780 | 1 | Panel, Cover | |

SECTION 4 - PLATFORM

FIGURE 4-17. SKYCUTTER INSTALLATION



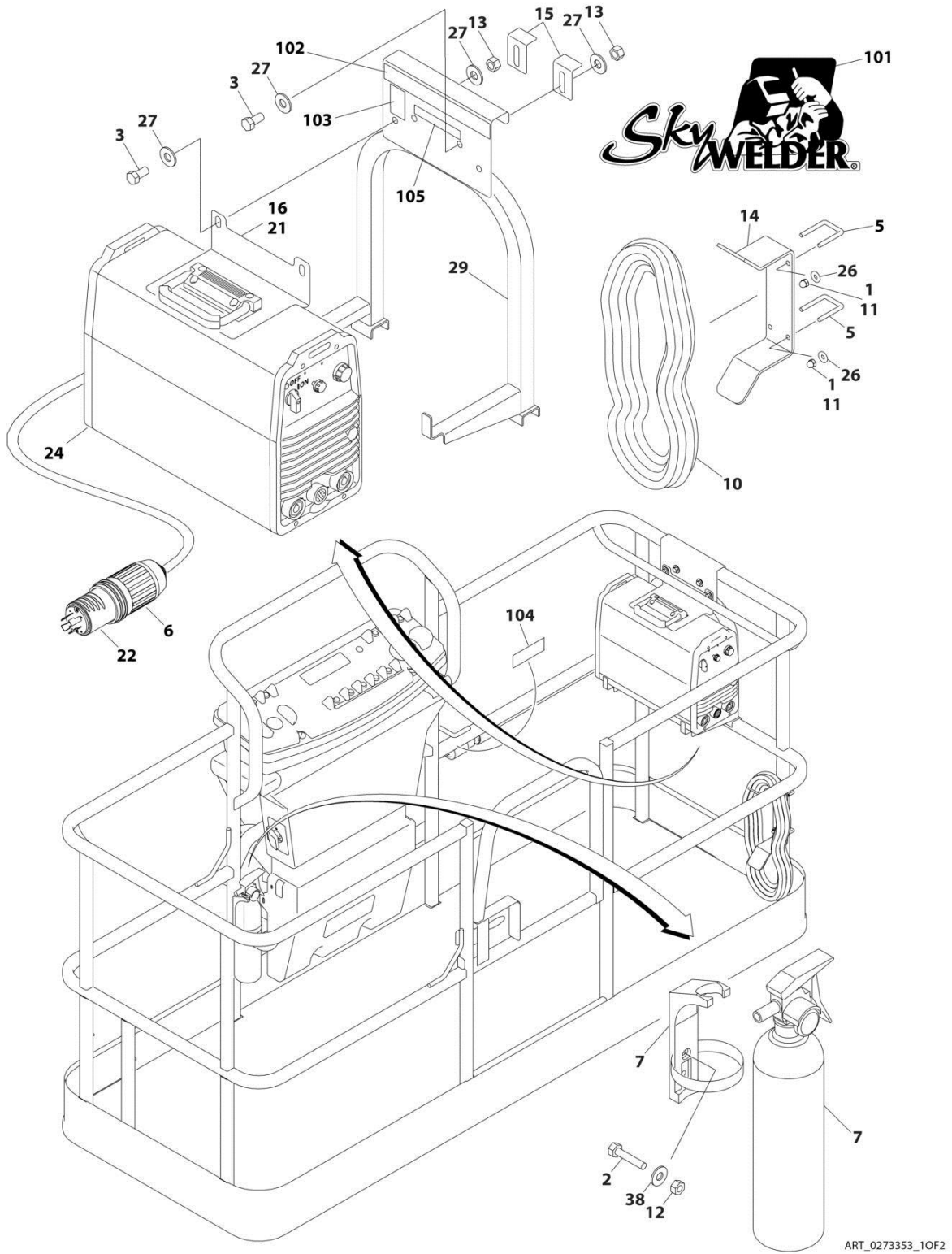
SECTION 4 - PLATFORM

FIGURE 4-17. SKYCUTTER INSTALLATION

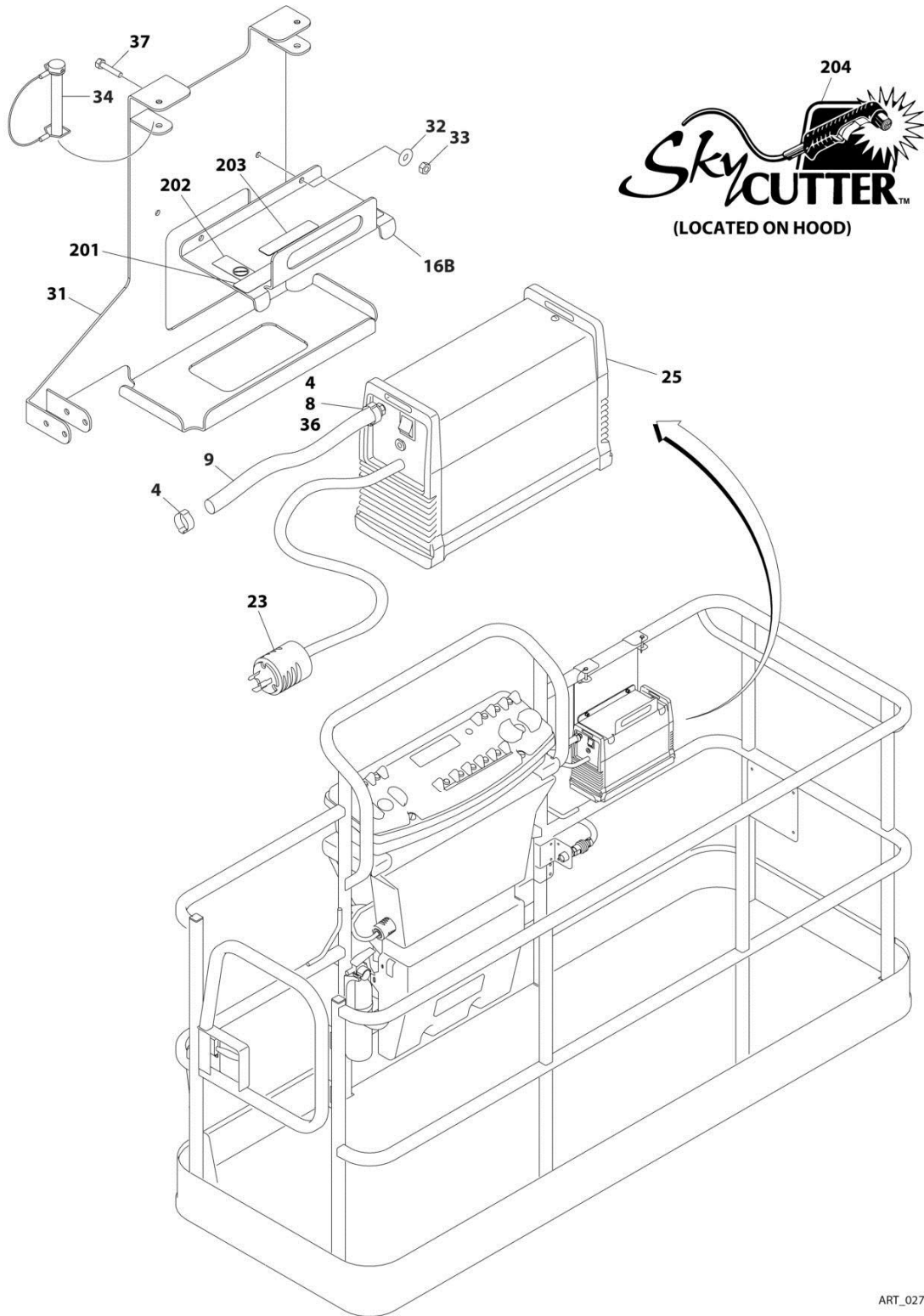
| ITEM | PART NUMBER | QTY | DESCRIPTION | REV |
|------|-------------|-----------|---|-----|
| | | Ref | SKYCUTTER INSTALLATION | |
| | 0272590 | Ref | SkyCutter Installation - 60Hz Power Supply | D |
| | 0272606 | Ref | SkyCutter Installation - 50Hz Power Supply | D |
| | | Ref | Note: When replacing platform on machines with SkyCutter option, new bracket p/n 1001145405 must be purchased to accommodate SkyCutter components. | |
| 1 | 0100011 | AR | Compound, Locking | |
| 2 | 0641406 | 2 | Bolt 1/4 x 3/4 | |
| 3 | 0641606 | 4 | Bolt 3/8 x 3/4 | |
| 4 | 1320302 | 2 | Clamp | |
| 5 | 2030010 | 1 | Extinguisher, Fire | |
| 6 | 2180832 | 1 | Fitting, NPT/Barbed | |
| 7 | 3300151 | 4 | Nut 1/4 | |
| 8 | 3311405 | 2 | Nut 1/4 | |
| 9 | 3311605 | 4 | Nut 3/8 | |
| 10 | 3573400 | 1 | Bracket, Cable | |
| 11 | 3573641 | 2 | Plate, Clamp (Use p/n 3577121) | |
| 12 | 3573643 | 1 | Plate, Top Support | |
| 13 | 4240099 | AR | Tie, Wire | |
| 14 | 1320177 | 2 | Clamp, Hose | |
| 15 | 4460971 | 1 | Plug, Twistlock | |
| 16 | 4530024 | 1 | Plasma Cutter Assembly - 60Hz Power Supply (See PLASMA CUTTER ASSEMBLY for Breakdown) | |
| 16 | 4530025 | 1 | Plasma Cutter Assembly - 50Hz Power Supply (See PLASMA CUTTER ASSEMBLY for Breakdown) | |
| 17 | 4751400 | 6 | Washer 1/4 | |
| 18 | 4751600 | 8 | Washer 3/8 | |
| 19 | 4846571 | 1 | Support | |
| 20 | 2720160 | 4 ft/1.2m | Hose | |
| 21 | 4420037 | AR | Tape, Insulation | |
| | 0272599 | Ref | SKYCUTTER DECAL INSTALLATION (ANSI, ANSI Export and CSA Specs) | A |
| 101 | 1702868 | 1 | Decal - No Hands (60Hz Power Supply Only) | |
| 102 | 1705305 | 1 | Decal - Weld Lead | |
| 103 | 1705466 | 1 | Decal - Weight | |
| 104 | 1705490 | 2 | Decal - SkyCutter | |
| | 0272607 | Ref | SKYCUTTER DECAL INSTALLATION (JAPANESE SPECS) | A |
| 201 | 1705490 | 2 | Decal - SkyCutter | |
| 202 | 1705305 | 1 | Decal - Weld Lead | |
| 203 | 1705466 | 1 | Decal - Weight | |

SECTION 4 - PLATFORM

FIGURE 4-18. SKYCUTTER INSTALLATION



SECTION 4 - PLATFORM



ART_0273353_20F2

SECTION 4 - PLATFORM

FIGURE 4-18. SKYCUTTER INSTALLATION

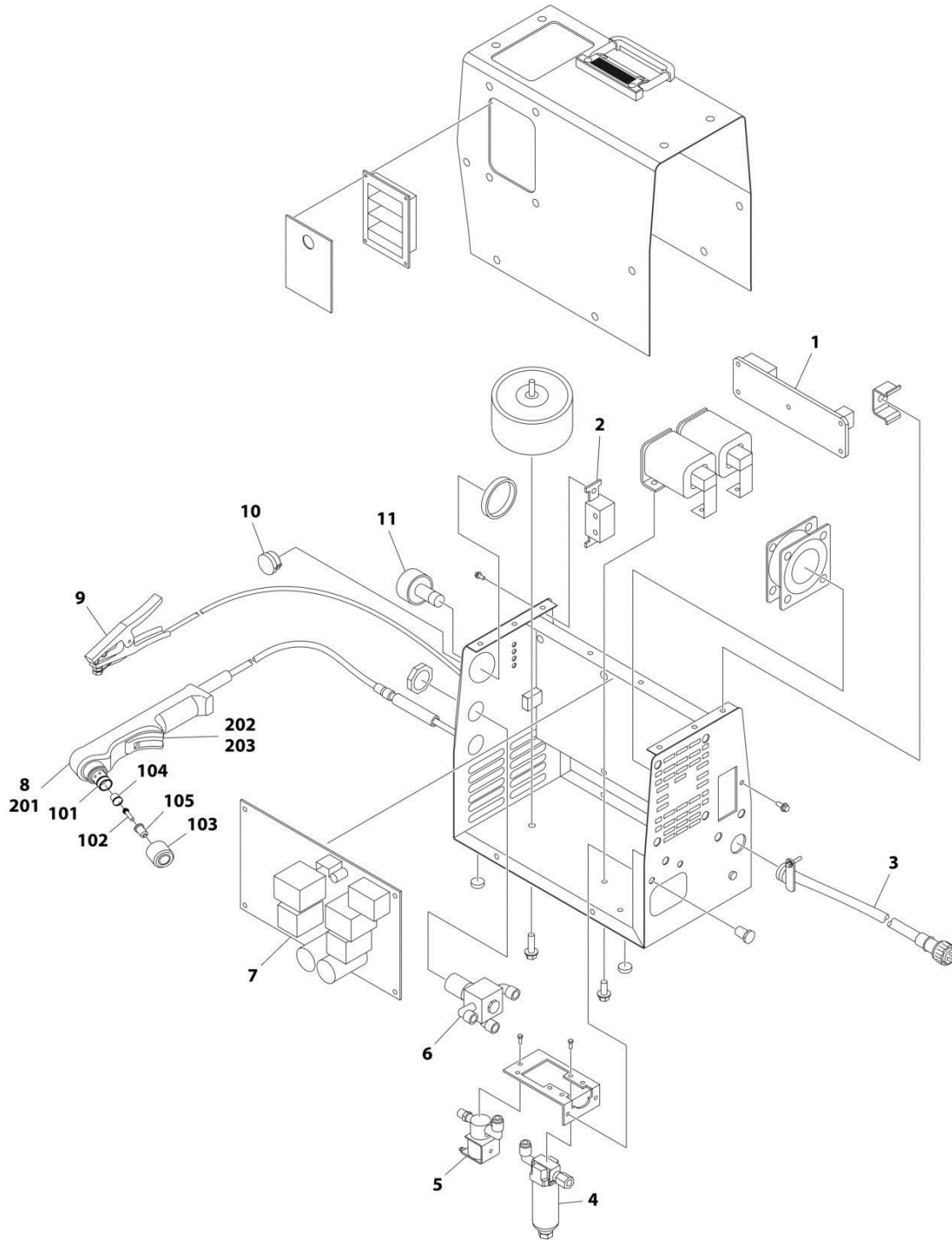
| ITEM | PART NUMBER | QTY | DESCRIPTION | REV |
|------|-------------|-------------------|--|-----|
| | | Ref | SKYCUTTER INSTALLATIONS | |
| | 1001098149 | Ref | 50Hz/60Hz Power Supply | D |
| | 0273353 | Ref | 60Hz SkyWelder/SkyCutter Combo | G |
| | | Ref | Note: USA Built Machines ANSI, ANSI Export and CSA Spec Only. | |
| | | Ref | Note: China Built Machines ANSI Export and China Specs Only. | |
| | | Ref | Note: Not Available on 600S Shipyard Machines. | |
| 1 | 0100011 | AR | Compound, Locking | |
| 2 | 0641406 | 2 | Bolt 1/4 x 3/4 | |
| 2 | 0630518 | 2 | Screw #10 x 3/4 | |
| 3 | 0641606 | 4 | Bolt 3/8 x 3/4 | |
| 4 | 1320177 | 2 | Clamp | |
| 5 | 1320302 | 2 | Clamp | |
| 6 | 1671093 | 1 | Cover, Plug (SkyWelder/SkyCutter Combo Only) | |
| 7 | 2030010 | 1 | Extinguisher, Fire | |
| 8 | 2180832 | 1 | Fitting, Barbed/NPT | |
| 9 | | Ref | Hose Options: | |
| 9 | 2720160 | 4.5 ft/ 1.37m | 0273353 Installation | |
| 9 | 2720160 | 3 ft/ 0.9m | 1001098149 Installation | |
| 10 | 2902217 | 1 | Weld Leads Kit | |
| 11 | 3300151 | 4 | Nut 1/4 | |
| 12 | 3311405 | 2 | Nut 1/4 | |
| 12 | 3311005 | 2 | Nut #10 | |
| 13 | 3311605 | 4 | Nut 3/8 | |
| 14 | 3573400 | 1 | Bracket | |
| 15 | 3573641 | NLA | Angle (Use p/n 3577121) | |
| 16 | | Ref | Plate Options: | |
| 16A | 3573642 | 1 | 0273353 Installation | |
| 16B | 3576799 | 1 | 1001098149 Installation | |
| 20 | 4240099 | AR | Tie-Strap (Not Shown) | |
| 21 | 4420037 | 2.36 ft/ 0.71m | Tape | |
| 22 | | Ref | Plug, Twist Lock Options: | |
| 22 | 4460971 | 1 | 1001098149 Installation | |
| 22 | 4460962 | 1 | 0273353 Installation | |
| 23 | 4460971 | 1 | Plug, Twist Lock | |
| 24 | 4530028 | 1 | Welder Assembly (See WELDER ASSEMBLY for Breakdown) | |
| 25 | 1001098012 | 1 | Plasma Cutter Assembly (See PLASMA CUTTER ASSEMBLY for Breakdown) | |
| 26 | 4751400 | 4 | Washer 1/4 | |
| 27 | 4751600 | 8 | Washer 3/8 | |
| 29 | 4846627 | 1 | Support | |
| 31 | 4341301 | 1 | Bracket (Use p/n 1001145405) | |
| 32 | 4811700 | 2 | Washer M6 | |
| 33 | 3290605 | 2 | Nut M6 | |
| 34 | 3421453 | 3 | Pin | |
| 36 | 0100020 | 1 | Sealant | |
| 37 | 4010608 | 2 | Screw M6 x 16 | |
| 38 | 4751400 | 2 | Washer 1/4 | |

SECTION 4 - PLATFORM

| ITEM | PART NUMBER | QTY | DESCRIPTION | REV |
|------|-------------|-----|-------------------------------------|-----|
| 38 | 4751000 | 2 | Washer #10 | |
| | 0272448 | Ref | SKYWELDER DECAL INSTALLATION | |
| 101 | 1705355 | 2 | Decal - SkyWelder | |
| 102 | 1702868 | 1 | Decal - No Hands | |
| 103 | 1705305 | 1 | Decal - Weld Leads | |
| 104 | 1705375 | 1 | Decal - 240V - 3 Phase - 60Hz | |
| 105 | 1705466 | NLA | Decal - Weight (Use p/n 1001228988) | |
| | 0272599 | Ref | SKYCUTTER DECAL INSTALLATION | |
| 201 | 1702868 | 1 | Decal - No Hands | |
| 202 | 1705305 | 1 | Decal - Weld Leads | |
| 203 | 1705466 | NLA | Decal - Weight (Use p/n 1001228988) | |
| 204 | 1705490 | 2 | Decal - SkyCutter | |

SECTION 4 - PLATFORM

FIGURE 4-19. PLASMA CUTTER ASSEMBLY



ART_4530024

SECTION 4 - PLATFORM

FIGURE 4-19. PLASMA CUTTER ASSEMBLY

| ITEM | PART NUMBER | QTY | DESCRIPTION | REV |
|------|-------------|----------|--|-----|
| | | Ref | PLASMA CUTTER ASSEMBLY | |
| | 4530024 | Ref | Plasma Cutter Assembly - 60Hz Power Supply | D |
| | 4530025 | Ref | Plasma Cutter Assembly - 50Hz Power Supply | D |
| | | Ref | Note: For other components see your Miller Welder Dealer. | |
| 1 | 7024519 | 1 | Circuit Card - 60Hz Power Supply | |
| 1 | 7024538 | 1 | Circuit Card - 50Hz Power Supply | |
| 2 | 7024520 | 1 | Switch | |
| 3 | 7024521 | 10 ft/3m | Cable, Power - 60Hz Power Supply | |
| 3 | 7024539 | 10 ft/3m | Cable, Power - 50Hz Power Supply | |
| 4 | 7024522 | 1 | Filter, Air | |
| 5 | 7024523 | 1 | Valve, Air - 60Hz Power Supply | |
| 5 | 7024540 | 1 | Valve, Air - 50Hz Power Supply | |
| 6 | 7024524 | 1 | Regulator, Air | |
| 7 | 7024525 | 1 | Circuit Card - 60Hz Power Supply | |
| 7 | 7024541 | 1 | Circuit Card - 50Hz Power Supply | |
| 8 | 7024526 | 1 | Torch Assembly (See Items 101-203 for Breakdown) | |
| 9 | 7024527 | 1 | Clamp | |
| 10 | 7024528 | 1 | Knob | |
| 11 | 7024529 | 1 | Gauge, Air | |
| | 7024526 | Ref | TORCH ASSEMBLY | |
| 101 | 7024530 | 1 | O-Ring | |
| 102 | 7024531 | 1 | Electrode | |
| 103 | 7024532 | 1 | Cup, Retaining | |
| 104 | 7024533 | 1 | Swirl Ring | |
| 105 | 7024534 | 1 | Tip | |
| 201 | 7024535 | 1 | Handle, Torch | |
| 202 | 7024536 | 1 | Switch | |
| 203 | 7024537 | 1 | Trigger | |

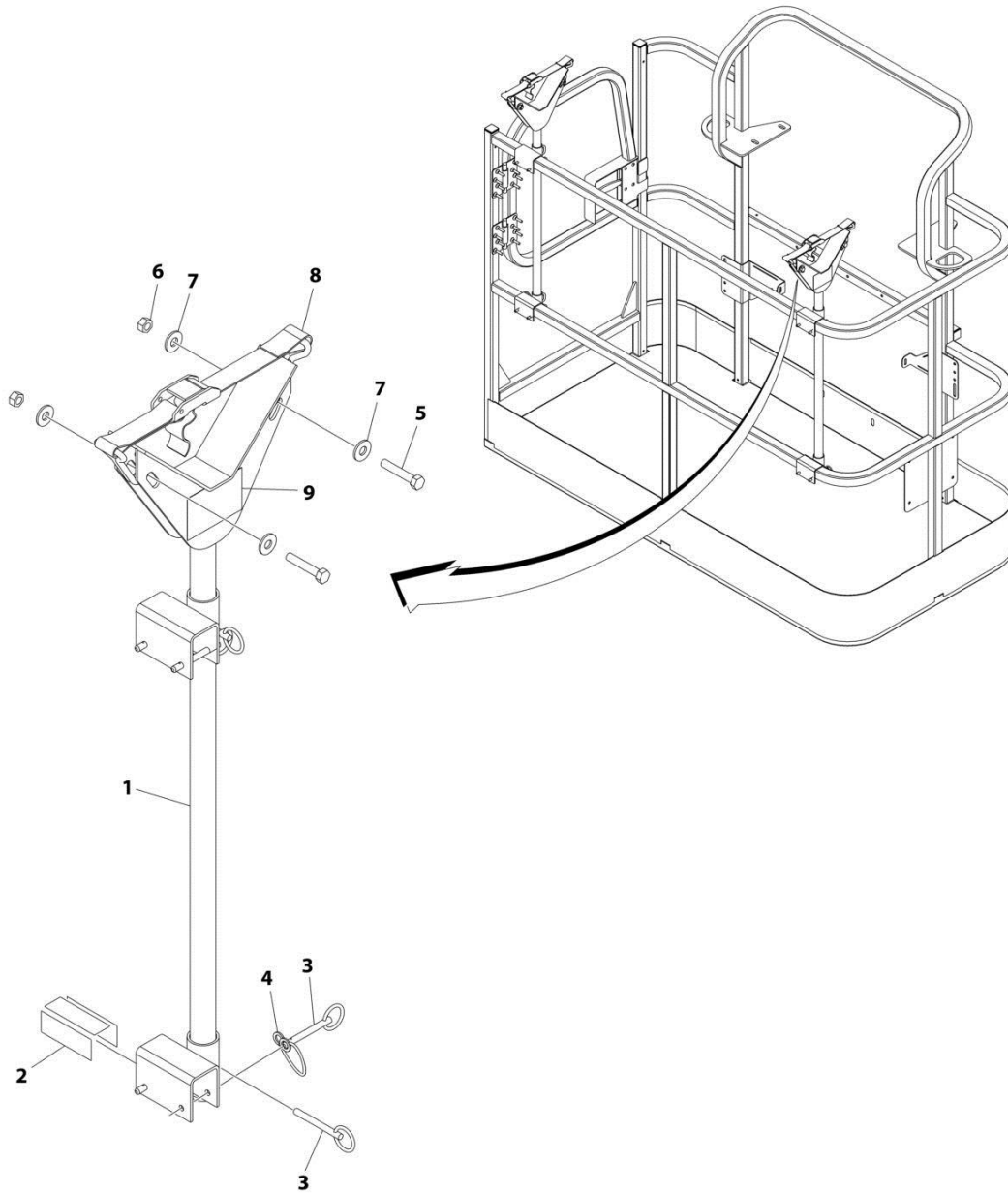
SECTION 4 - PLATFORM

FIGURE 4-20. PLASMA CUTTER ASSEMBLY

| ITEM | PART NUMBER | QTY | DESCRIPTION | REV |
|------|-------------|-----|---|-----|
| | 1001098012 | Ref | PLASMA CUTTER ASSEMBLY | A |
| | | Ref | Note: For Other Components, contact your Miller Welder Dealer. | |
| 1 | 70001424 | 1 | Cable, Power | |
| 1 | 70001425 | 1 | Decal - Voltage Warning | |
| 2 | 70001427 | 1 | Filter, Regulator | |
| 3 | 70001428 | 1 | Torch Assembly (See Items 101-203 for Breakdown) | |
| 4 | 7024471 | 1 | Knob | |
| 5 | 70001429 | 1 | Clamp with Cable | |
| 6 | 70001430 | 1 | Decal - Caution | |
| 7 | 70001431 | 1 | Breaker, Circuit | |
| 8 | 70001432 | 1 | Switch, Rocker | |
| | 70001428 | Ref | TORCH ASSEMBLY | |
| 101 | 7024530 | 1 | O-Ring | |
| 102 | 7024531 | 1 | Electrode | |
| 103 | 7024532 | 1 | Cup, Retaining | |
| 104 | 7024533 | 1 | Swirl Ring | |
| 105 | 7024534 | 1 | Tip | |
| 201 | 7024535 | 1 | Handle, Torch | |
| 202 | 7024536 | 1 | Switch | |
| 203 | 7024537 | 1 | Trigger | |

SECTION 4 - PLATFORM

FIGURE 4-21. PIPE RACKS INSTALLATION



ART_0257728

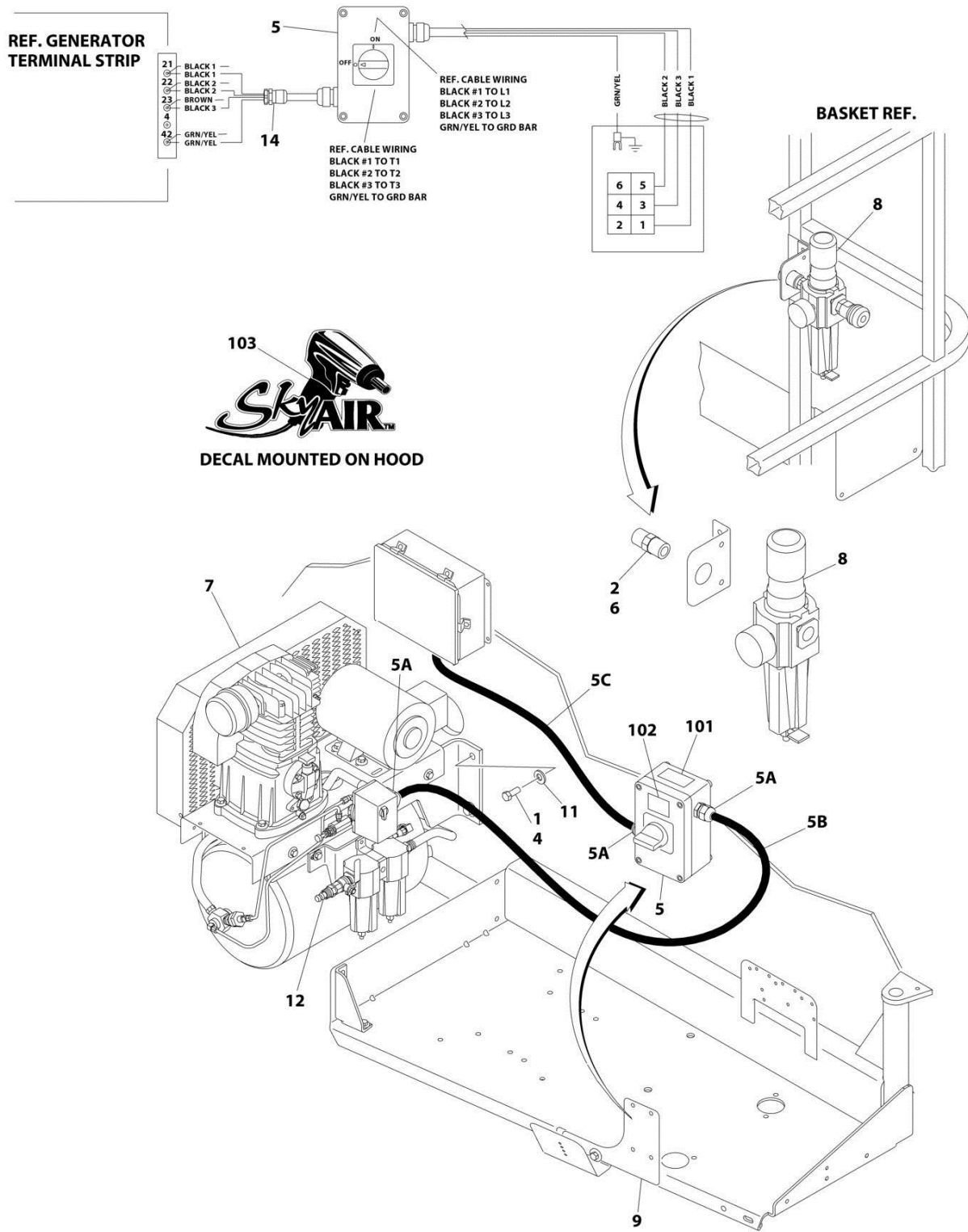
SECTION 4 - PLATFORM

FIGURE 4-21. PIPE RACKS INSTALLATION

| ITEM | PART NUMBER | QTY | DESCRIPTION | REV |
|------|-------------|-----|--|-----|
| | 0257728 | Ref | PIPE RACK INSTALLATION (ANSI AND CSA SPECS) | 2/C |
| | 0274661 | Ref | PIPE RACK INSTALLATION (AUSTRALIAN SPECS) | 1/A |
| | | Ref | Note: USA Built Machines ANSI, Australian and CSA Specs Only. | |
| 1 | 4845582 | 2 | Rack, Pipe | |
| 2 | 4420062 | AR | Tape | |
| 3 | 3422661 | 10 | Pin | |
| 4 | 1060379 | 4 | Lanyard | |
| 5 | 0641514 | 4 | Bolt 5/16 x 1-3/4 | |
| 6 | 3311505 | 4 | Nut 5/16 | |
| 7 | 4751500 | 8 | Washer 5/16 | |
| 8 | 0480100 | 2 | Tie-Down | |
| 9 | 1703683 | 2 | Decal - Capacity (ANSI and CSA Specs) | |
| 9 | 1706510 | 2 | Decal - Capacity (Australian Specs) | |

SECTION 4 - PLATFORM

FIGURE 4-22. SKYAIR AIR COMPRESSOR INSTALLATION



ART_0273450

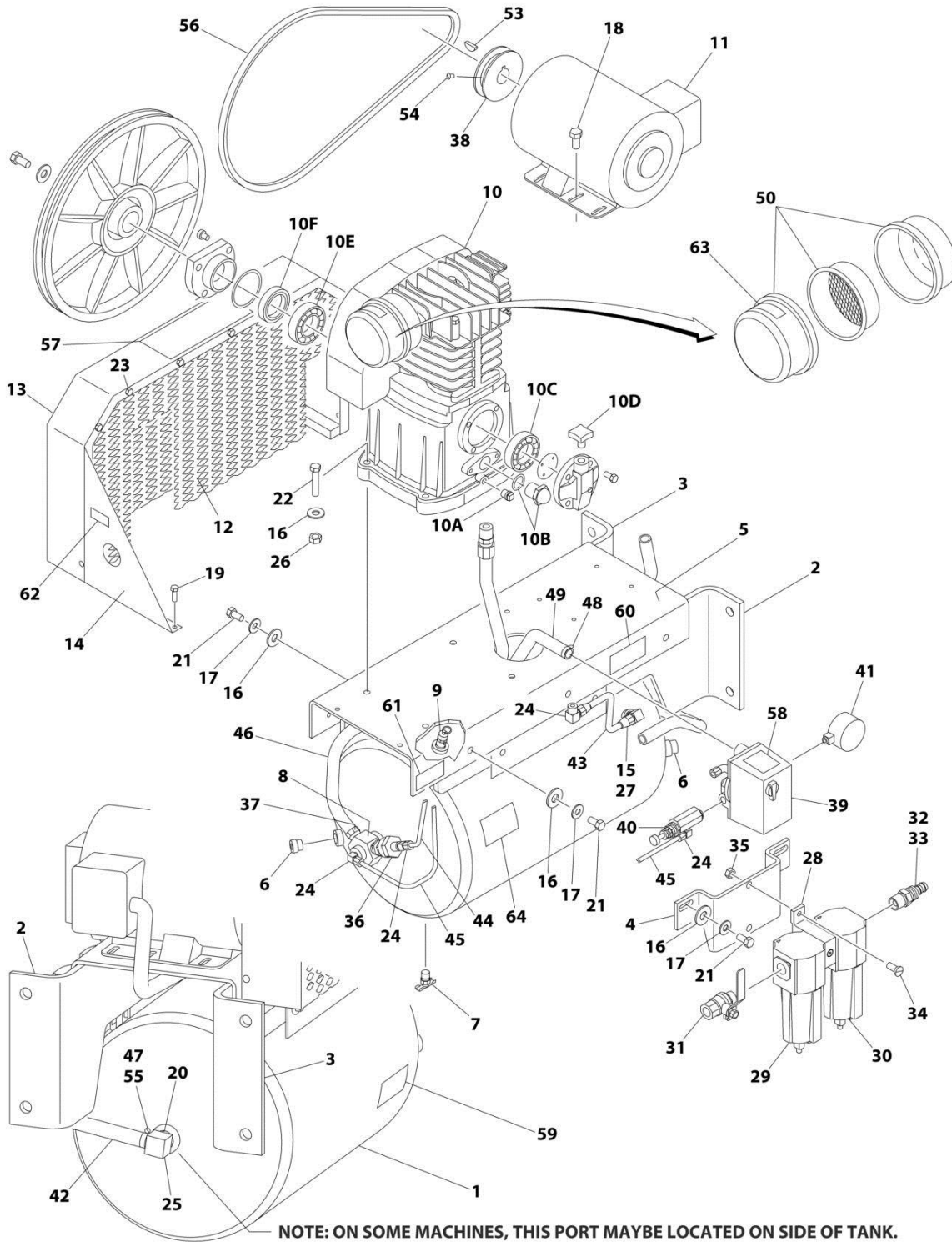
SECTION 4 - PLATFORM

FIGURE 4-22. SKYAIR AIR COMPRESSOR INSTALLATION

| ITEM | PART NUMBER | QTY | DESCRIPTION | REV |
|------|-------------|-----|---|-----|
| | 0273450 | Ref | SKYAIR AIR COMPRESSOR INSTALLATION | D |
| | | Ref | Note: ANSI, ANSI Export, China and CSA Specs Only. | |
| | | Ref | Note: Not Available on 600S Shipyard Machines. | |
| | | Ref | Note: Only Available on 60Hz Machines. | |
| 1 | 0100019 | AR | Compound, Locking | |
| 2 | 0100020 | AR | Sealant | |
| 4 | 0641810 | 4 | Bolt 1/2 x 1-1/4 | |
| 5 | 0861642 | 1 | Control Box Assembly | |
| 5A | 4460633 | 3 | Connector, Strain Relief | |
| 5B | 70002948 | AR | Cable, Electrical - 12/4 (13ft/4m) | |
| 5C | 70002948 | AR | Cable, Electrical - 12/4 (30in/76cm) | |
| 6 | 2220252 | 1 | Fitting, Adapter | |
| 7 | 3600386 | 1 | Compressor Assembly (See AIR COMPRESSOR ASSEMBLY for Breakdown) | |
| 8 | 3720021 | 1 | Filter/Regulator Assembly | |
| 8 | 7027781 | 1 | Service Kit (Includes Gaskets and Seals) | |
| 8 | 7027782 | 1 | Filter | |
| 8 | 7027784 | 1 | Gauge | |
| 8 | 7027783 | 1 | Valve, Drain | |
| 9 | 4340747 | 1 | Bracket, Control Box | |
| 11 | 4751800 | 4 | Washer 1/2 | |
| 12 | 2220750 | 1 | Fitting | |
| 14 | 4460428 | 1 | Connector, Strain Relief | |
| | 0273687 | Ref | DECAL INSTALLATION | A |
| 101 | 1705836 | 1 | Decal - Hazard Voltage | |
| 102 | 1705837 | 1 | Decal - Air Compressor | |
| 103 | 1705886 | 2 | Decal - SkyAir | |

SECTION 4 - PLATFORM

FIGURE 4-23. AIR COMPRESSOR ASSEMBLY



ART_3600386

SECTION 4 - PLATFORM

FIGURE 4-23. AIR COMPRESSOR ASSEMBLY

| ITEM | PART NUMBER | QTY | DESCRIPTION | REV |
|------|-------------|-----|--|-----|
| | 3600386 | Ref | AIR COMPRESSOR ASSEMBLY | B |
| 1 | 7026632 | 1 | Tank | |
| 2 | See Note | 1 | Bracket, Mounting (Note: Not Available for Purchase) | |
| 3 | See Note | 1 | Bracket, Mounting (Note: Not Available for Purchase) | |
| 4 | See Note | 1 | Bracket, Regulator Mounting (Note: Not Available for Purchase) | |
| 5 | See Note | 1 | Deck (Note: Not Available for Purchase) | |
| 6 | See Note | 2 | Plug (Note: Not Available for Purchase) | |
| 7 | 7026633 | 1 | Valve, Drain | |
| 8 | 7026634 | 1 | Valve, Check | |
| 9 | 7026635 | 1 | Valve, Safety | |
| 10 | 7026636 | 1 | Pump Assembly | |
| 10 | 7026659 | 1 | Gasket and Seal Kit | |
| 10A | 7026651 | 1 | Plug, Oil Drain | |
| 10B | 7026652 | 1 | Gauge, Oil Sight | |
| 10C | 7026653 | 1 | Bearing | |
| 10D | 7026654 | 1 | Cap, Oil Fill | |
| 10E | 7026655 | 1 | Bearing | |
| 10F | 7026656 | 1 | Seal | |
| 11 | 7026637 | 1 | Motor Assembly | |
| 11 | See Note | 1 | Brush Kit (Note: Not Available for Purchase) | |
| 12 | See Note | 1 | Screen, Inner (Note: Not Available for Purchase) | |
| 13 | See Note | 1 | Guard, Belt (Note: Not Available for Purchase) | |
| 14 | See Note | 2 | Support (Note: Not Available for Purchase) | |
| 15 | See Note | 1 | Bushing (Note: Not Available for Purchase) | |
| 16 | 4751600 | 18 | Washer 3/8 | |
| 17 | 4761600 | 10 | Washer 3/8 | |
| 18 | 0641506 | 4 | Bolt 5/16 x 3/4 | |
| 19 | 0641406 | 8 | Bolt 1/4 x 3/4 | |
| 20 | See Note | 1 | Bushing (Note: Not Available for Purchase) | |
| 21 | 0641610 | 10 | Bolt 3/8 x 1-1/4 | |
| 22 | 0641616 | 4 | Bolt 3/8 x 2 | |
| 23 | See Note | 10 | Bolt 1/4 x 1/2 (Note: Not Available for Purchase) | |
| 24 | See Note | 4 | Fitting (Note: Not Available for Purchase) | |
| 25 | See Note | 1 | Fitting, Barbed (Note: Not Available for Purchase) | |
| 26 | 3311605 | 4 | Nut 3/8 | |
| 27 | See Note | 1 | Fitting, Compression (Note: Not Available for Purchase) | |
| 28 | See Note | 1 | Bracket, Mounting (Note: Not Available for Purchase) | |
| 29 | 7026660 | 1 | Filter, Oil Removal | |
| 30 | 7026661 | 1 | Filter, Water Removal | |
| 31 | 70001663 | 1 | Valve, Ball Shut-Off | |
| 32 | See Note | 1 | Bushing (Note: Not Available for Purchase) | |
| 33 | See Note | 1 | Fitting, Barbed (Note: Not Available for Purchase) | |
| 34 | See Note | 2 | Screw 1/4 x 1 (Note: Not Available for Purchase) | |
| 35 | 3311405 | 2 | Nut 1/4 | |
| 36 | See Note | 1 | Unloader (Note: Not Available for Purchase) | |
| 37 | See Note | 1 | Fitting (Note: Not Available for Purchase) | |
| 38 | See Note | 1 | Pulley (Note: Not Available for Purchase) | |
| 39 | 7026638 | 1 | Switch, Pressure | |
| 40 | 7026639 | 1 | Valve, Pilot | |
| 41 | 7026640 | 1 | Gauge | |

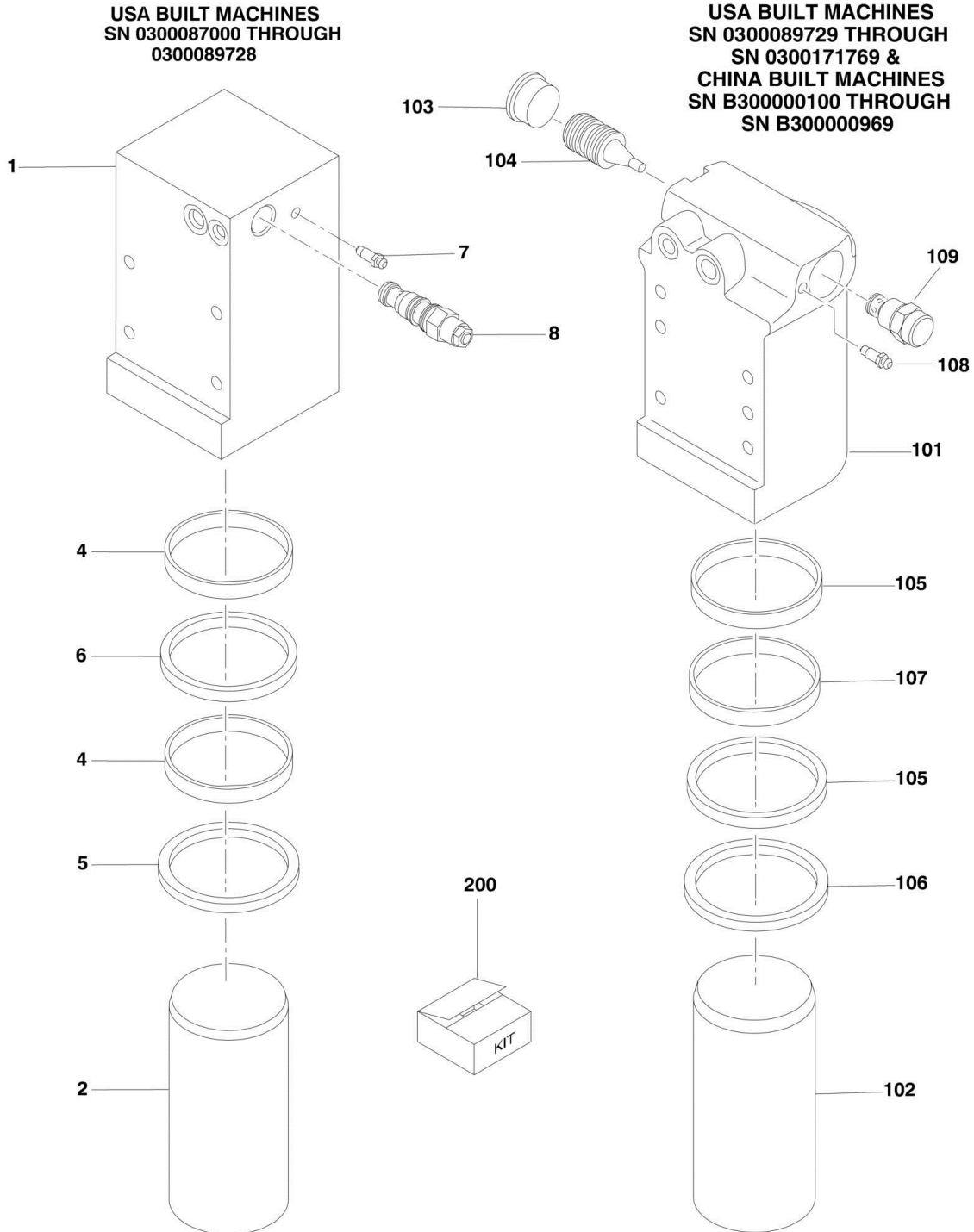
SECTION 4 - PLATFORM

| ITEM | PART NUMBER | QTY | DESCRIPTION | REV |
|------|-------------|-------|--|-----|
| 42 | See Note | 1 | Hose (Note: Not Available for Purchase) | |
| 43 | See Note | 1 | Tube, Feed (Note: Not Available for Purchase) | |
| 44 | See Note | 1 | Tube (Note: Not Available for Purchase) | |
| 45 | See Note | 1 | Tube (Note: Not Available for Purchase) | |
| 46 | See Note | 1 | Aftercooler (Note: Not Available for Purchase) | |
| 47 | See Note | 2 | Clamp (Note: Not Available for Purchase) | |
| 48 | See Note | 2 | Clamp (Note: Not Available for Purchase) | |
| 49 | See Note | 1 | Harness, Wiring (Note: Not Available for Purchase) | |
| 50 | 7026658 | 1 | Filter Assembly | |
| 50 | 7026641 | 1 | Element, Filter | |
| 51 | See Note | 23 oz | Oil, Compressor (Note: Not Available for Purchase) (Not Shown) | |
| 52 | 0100020 | AR | Sealant (Not Shown) | |
| 53 | See Note | 1 | Key (Note: Not Available for Purchase) | |
| 54 | See Note | 2 | Setscrew (Note: Not Available for Purchase) | |
| 55 | See Note | 2 | Cover, Clamp End (Note: Not Available for Purchase) | |
| 56 | 7026642 | 1 | Belt | |
| 57 | 7026643 | 1 | Decal - Unit Warning | |
| 58 | 7026644 | 1 | Decal - Pressure Switch Warning | |
| 59 | 7026645 | 1 | Decal - Drain Tank Warning | |
| 60 | 7026646 | 1 | Decal - Compressor Maintenance | |
| 61 | 7026647 | 1 | Decal - Initial Oil Fill | |
| 62 | 7026648 | 1 | Decal - Hot Surfaces Warning | |
| 63 | 7026649 | 1 | Decal - Paper Element Cleaning | |
| 64 | 7026650 | 1 | Decal - Dual Control | |

SECTION 5 - CYLINDER

SECTION 5 - CYLINDER

FIGURE 5-1. AXLE LOCKOUT CYLINDER ASSEMBLY



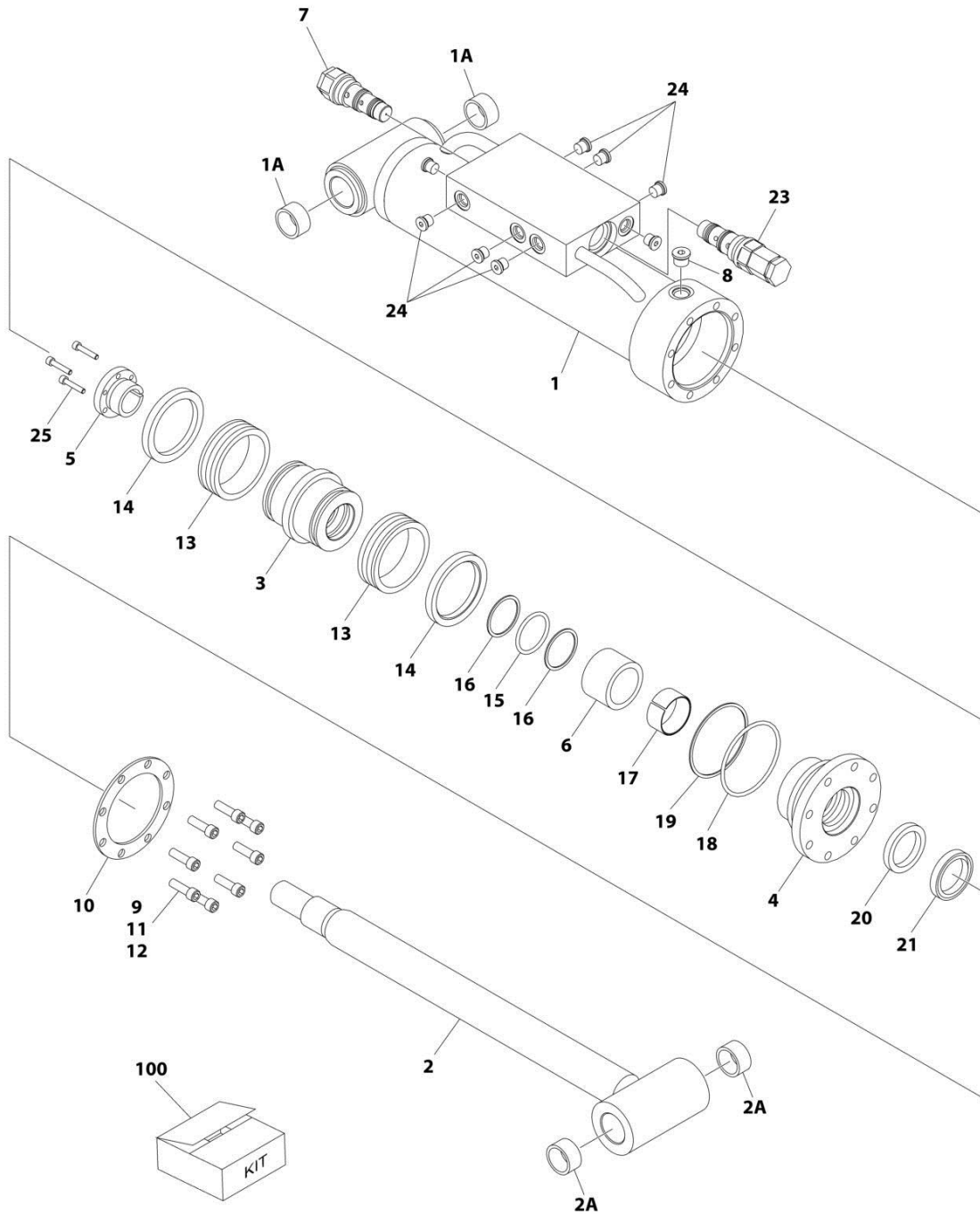
SECTION 5 - CYLINDER

FIGURE 5-1. AXLE LOCKOUT CYLINDER ASSEMBLY

| ITEM | PART NUMBER | QTY | DESCRIPTION | REV |
|------|-------------|-----|--|-----|
| | 1684280 | Ref | AXLE LOCKOUT CYLINDER ASSEMBLY (USA BUILT MACHINES) (SN 0300087000 through 0300089728) | G |
| | | Ref | Note: Service Kit p/n 1001167359 may have been installed as a Service Replacement. Kit uses p/n 1684465 Cylinder. In kit has been installed, Use Item 101-109 for Service | |
| 1 | 1684289 | 1 | Barrel | |
| 2 | 1684290 | 1 | Rod | |
| 4 | See Note | NSS | Ring, Wear (Note: Use Item 200) | |
| 5 | See Note | NSS | Wiper (Note: Use Item 200) | |
| 6 | See Note | NSS | Seal, Rod (Note: Use Item 200) | |
| 7 | 4640476 | 1 | Bleeder | |
| 8 | 4641319 | 1 | Cartridge, Valve | |
| 8 | 7024879 | 1 | Seal Kit - 4641319 Cartridge | |
| | 1684465 | Ref | AXLE LOCKOUT CYLINDER ASSEMBLY (USA BUILT MACHINES) (SN 0300089729 through 0300171769) | G |
| | 1684465 | Ref | AXLE LOCKOUT CYLINDER ASSEMBLY (CHINA BUILT MACHINES) (SN B300000100 through B300000969) | G |
| 101 | 0370026 | 1 | Barrel | |
| 102 | 1684290 | 1 | Rod | |
| 103 | 2220890 | 1 | Plug | |
| 104 | 3480288 | 1 | Piston, Pilot | |
| 105 | See Note | NSS | Ring, Wear (Note: Use Item 200) | |
| 106 | See Note | NSS | Wiper (Note: Use Item 200) | |
| 107 | See Note | NSS | Seal, Rod (Note: Use Item 200) | |
| 108 | 4640858 | 1 | Bleeder | |
| 109 | 4641390 | 1 | Cartridge, Valve | |
| 109 | 7017496 | 1 | Seal Kit - 4641390 Cartridge | |
| | | Ref | SEAL KIT OPTIONS | |
| 200 | 2902266 | 1 | Seal Kit (Includes Items 4-6 or 105-107. Seals are the same) | |

SECTION 5 - CYLINDER

FIGURE 5-2. LEVEL CYLINDER ASSEMBLY - PLATFORM SLAVE



ART_1001223512

SECTION 5 - CYLINDER

FIGURE 5-2. LEVEL CYLINDER ASSEMBLY - PLATFORM SLAVE

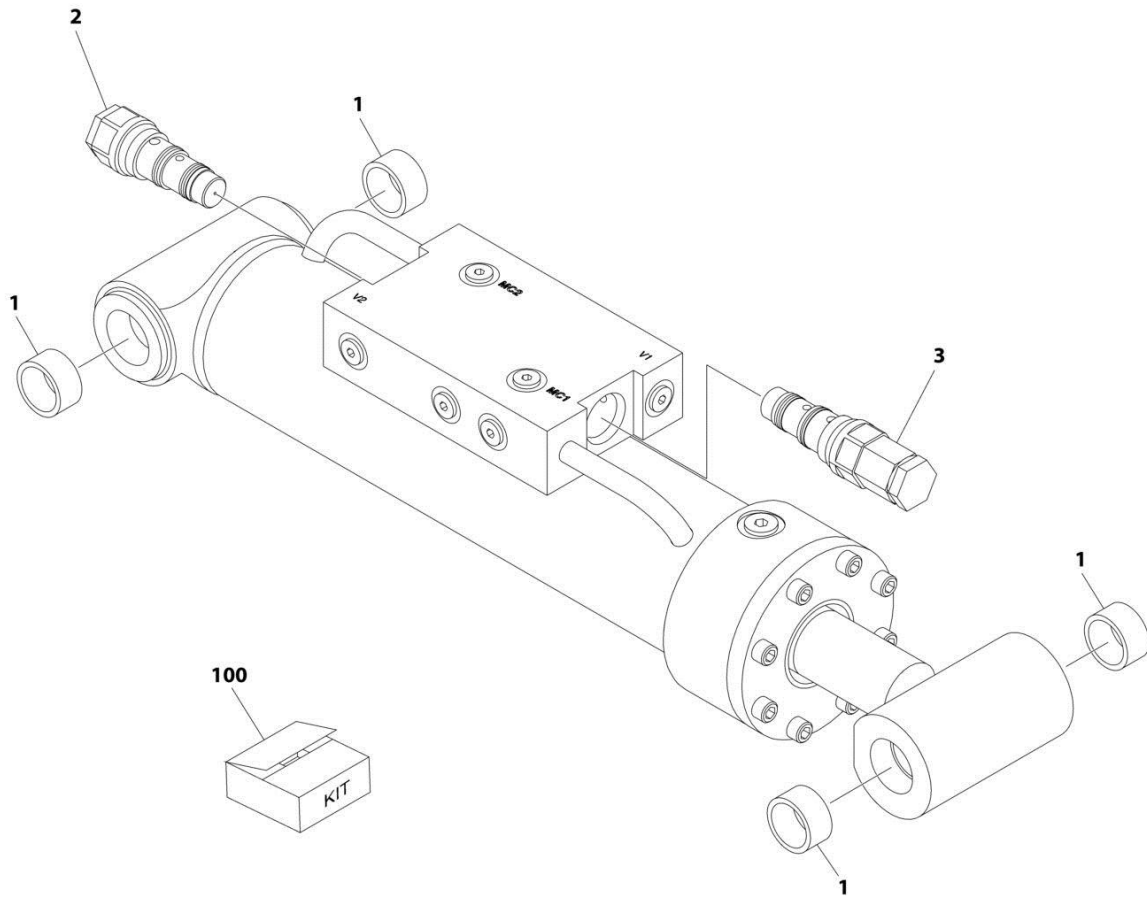
| ITEM | PART NUMBER | QTY | DESCRIPTION | REV |
|------|-------------|-----|---|-----|
| | 1683415 | Ref | LEVEL CYLINDER ASSEMBLY - 600S (ORIGINAL EQUIPMENT) | G |
| | 1001223512 | Ref | LEVEL CYLINDER ASSEMBLY - 600S (SERVICE REPLACEMENT) | A |
| | 1683418 | Ref | LEVEL CYLINDER ASSEMBLY - 600SJ & 660SJ (ORIGINAL EQUIPMENT) | I |
| | 1001223331 | Ref | LEVEL CYLINDER ASSEMBLY - 600SJ & 660SJ (SERVICE REPLACEMENT) | A |
| | | Ref | Note: 600S Only China Built Machines SN B300000817 to SN B300000859 use cylinder p/n 1001140591. For replacement components contact JLG Parts Dept | |
| | | Ref | Note: Original Cylinder May Have Been Replaced with Service Replacement. Identify PN Stamped on Cylinder Before Ordering Parts. | |
| 1 | | Ref | Barrel Weldment | |
| 1 | 1683977 | 1 | Barrel Weldment 600S (Note: Includes Item 1A) | |
| 1 | 1001223511 | 1 | Barrel Weldment 600S (1001223512 Cylinder) (Note: Includes Item 1A) | |
| 1 | 1683952 | 1 | Barrel Weldment 600SJ & 660SJ (Note: Item 1A not included - Purchase Separately) | |
| 1 | 1001223332 | 1 | Barrel Weldment 660SJ (1001223331 Cylinder) (Note: Item 1A not included - Purchase Separately) | |
| 1A | | Ref | Bushing Options: | |
| 1A | 0961947 | 2 | Bushing 600S | |
| 1A | 0961951 | 2 | Bushing 600SJ & 660SJ | |
| 2 | | Ref | Rod Weldment Options: | |
| 2 | 1683976 | 1 | Rod Weldment 600S (Note: Includes Item 2A) | |
| 2 | 1683963 | 1 | Rod Weldment 600SJ & 660SJ (Note: Item 1A not included - Purchase Separately) | |
| 2A | | Ref | Bushing Options: | |
| 2A | 0961947 | 2 | Bushing 600S | |
| 2A | 0961951 | 2 | Bushing 600SJ & 660SJ | |
| 3 | | Ref | Piston Options: | |
| 3 | 3480210 | 1 | Piston 600S | |
| 3 | 3480188 | 1 | Piston 600SJ & 660SJ | |
| 4 | | Ref | Head Options: | |
| 4 | 1683053 | 1 | Head 600S | |
| 4 | 1683055 | 1 | Head 600SJ & 660SJ | |
| 5 | | Ref | Bushing, Tapered (Includes Item 25) Options: | |
| 5 | 0961893 | 1 | Bushing, Tapered 600S | |
| 5 | 0961894 | 1 | Bushing, Tapered 600SJ & 660SJ | |
| 6 | 4566468 | 1 | Spacer | |
| 7 | 4640509 | 1 | Cartridge, Valve | |
| 7 | 2900792 | 1 | Seal Kit - 4640509 Valve | |
| 8 | 2220885 | 1 | Plug, O-Ring | |
| 9 | | Ref | Capscrew, Socket Head Options: | |
| 9 | 3931516 | 8 | Capscrew, Socket Head 600S - Capscrew 5/16in-18NC x 1in | |
| 9 | 3931620 | 8 | Capscrew, Socket Head 600SJ & 660SJ - Capscrew 3/8in-16NC x 1-1/4in | |
| 10 | | Ref | Ring, Washer Options: | |
| 10 | 3760368 | 1 | Ring, Washer 600S | |
| 10 | 3760369 | 1 | Ring, Washer 600SJ & 660SJ | |
| 11 | 0100011 | AR | Compound, Locking | |

SECTION 5 - CYLINDER

| ITEM | PART NUMBER | QTY | DESCRIPTION | REV |
|------|-------------|-----|--|-----|
| 12 | 0100038 | AR | Primer, Locking | |
| 13 | See Note | NSS | Seal (Note: Use Item 100A or 100B) | |
| 14 | See Note | NSS | Ring, Lock (Note: Use Item 100A or 100B) | |
| 15 | See Note | NSS | O-Ring (Note: Use Item 100A or 100B) | |
| 16 | See Note | NSS | Ring, Back-up (Note: Use Item 100A or 100B) | |
| 17 | See Note | NSS | Ring, Wear (Note: Use Item 100A or 100B) | |
| 18 | See Note | NSS | O-Ring (Note: Use Item 100A or 100B) | |
| 19 | See Note | NSS | Ring, Back-up (Note: Use Item 100A or 100B) | |
| 20 | See Note | NSS | Seal, Rod (Note: Use Item 100A or 100B) | |
| 21 | See Note | NSS | Wiper (Note: Use Item 100A or 100B) | |
| 23 | 4640932 | 1 | Cartridge, Valve | |
| 23 | 7011112 | 1 | Seal Kit - 4640932 Valve | |
| 24 | 2220883 | 8 | Plug, O-Ring | |
| 25 | | Ref | Bolt Options: | |
| 25 | 0630534 | 3 | Bolt 600S - Bolt #10-24NC x 1in | |
| 25 | 0630535 | 3 | Bolt 600SJ & 660SJ - Bolt 1/4in-20NC x 1-1/8in | |
| 100 | | Ref | Seal Kit Options (Includes Items 13-21): | |
| 100A | 2901303 | 1 | Seal Kit 600S Seal Kit | |
| 100B | 2901301 | 1 | Seal Kit 600SJ & 660SJ Seal Kit | |

SECTION 5 - CYLINDER

FIGURE 5-3. LEVEL CYLINDER ASSEMBLY - PLATFORM SLAVE - 600S (SERVICE REPLACEMENT)



ART_1001228008

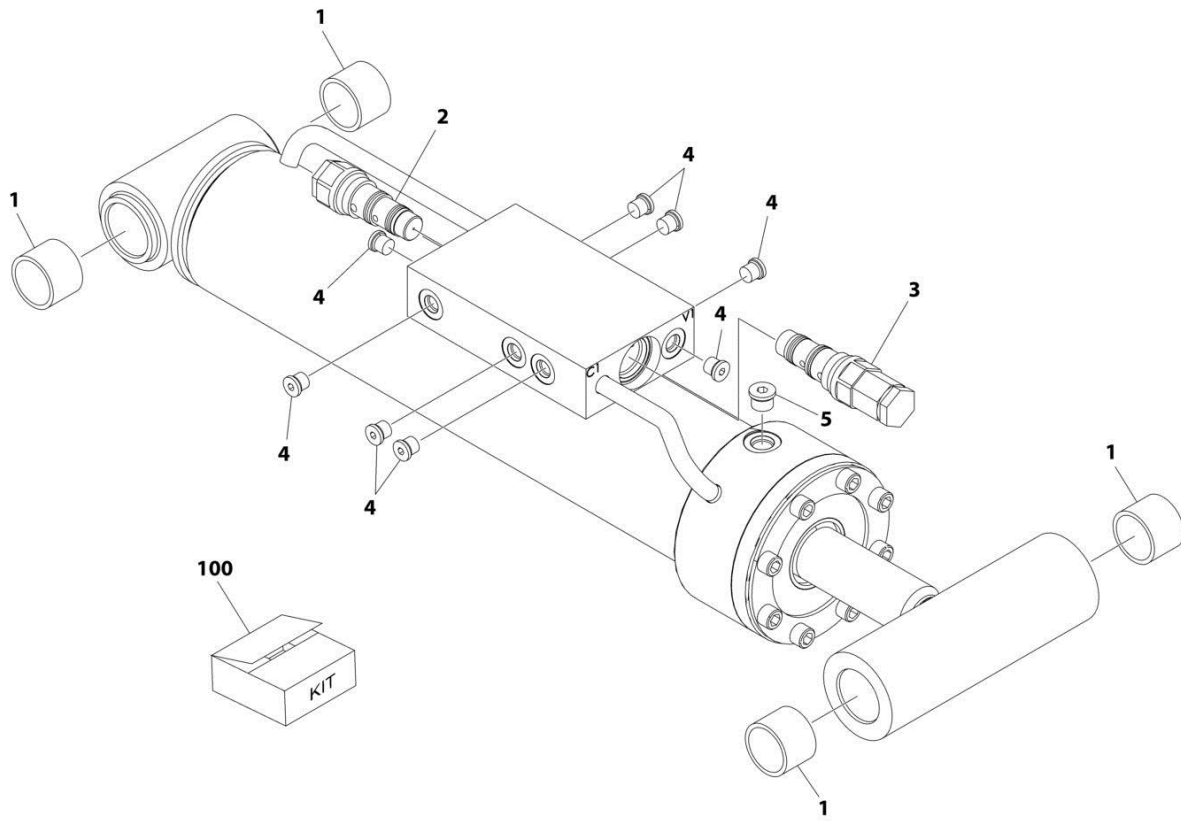
SECTION 5 - CYLINDER

FIGURE 5-3. LEVEL CYLINDER ASSEMBLY - PLATFORM SLAVE - 600S (SERVICE REPLACEMENT)

| ITEM | PART NUMBER | QTY | DESCRIPTION | REV |
|------|-------------|-----|---|-----|
| | 1001228008 | Ref | LEVEL CYLINDER ASSEMBLY (PLATFORM SLAVE) (SERVICE REPLACEMENT) | A |
| | | Ref | Note: Original Cylinder May Have Been Replaced with Service Replacement. Identify PN Stamped on Cylinder Before Ordering Parts. | |
| | | Ref | Note: No Service Parts Available at time of Printing | |
| 1 | 0961947 | 4 | Bushing | |
| 2 | 4640509 | 1 | Cartridge, Valve | |
| 2 | 2900792 | 1 | Seal Kit - 4640509 Valve | |
| 3 | 4640932 | 1 | Cartridge, Valve | |
| 3 | 7011112 | 1 | Seal Kit - 4640932 Valve | |
| 100 | 2901303 | 1 | Seal Kit | |

SECTION 5 - CYLINDER

FIGURE 5-4. LEVEL CYLINDER ASSEMBLY - PLATFORM SLAVE - 600SJ & 660SJ (SERVICE REPLACEMENT)



ART_1001228051

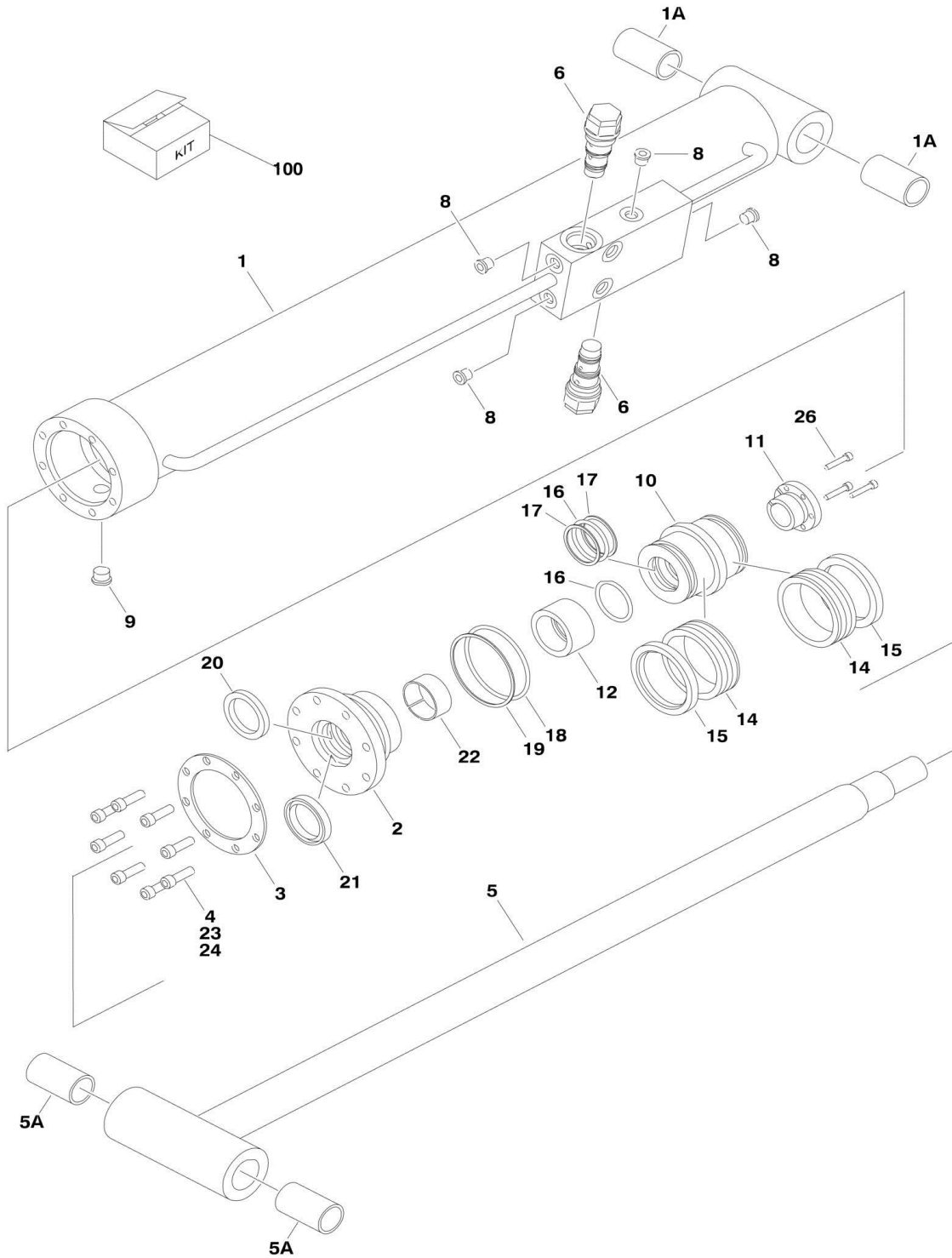
SECTION 5 - CYLINDER

FIGURE 5-4. LEVEL CYLINDER ASSEMBLY - PLATFORM SLAVE - 600SJ & 660SJ (SERVICE REPLACEMENT)

| ITEM | PART NUMBER | QTY | DESCRIPTION | REV |
|------|-------------|-----|---|-----|
| | 1001228051 | Ref | LEVEL CYLINDER ASSEMBLY (PLATFORM SLAVE) (SERVICE REPLACEMENT) | A |
| | | Ref | Note: Original Cylinder May Have Been Replaced with Service Replacement. Identify PN Stamped on Cylinder Before Ordering Parts. | |
| | | Ref | Note: No Service Parts Available at time of Printing | |
| 1 | 0961951 | 4 | Bushing | |
| 2 | 4640509 | 1 | Cartridge, Valve | |
| 2 | 2900792 | 1 | Seal Kit - 4640509 Valve | |
| 3 | 4640932 | 1 | Cartridge, Valve | |
| 3 | 7011112 | 1 | Seal Kit - 4640932 Valve | |
| 4 | 2220883 | 8 | Plug, O-Ring | |
| 5 | 2220885 | 1 | Plug, O-Ring | |
| 100 | 1001138796 | 1 | Seal Kit | |

SECTION 5 - CYLINDER

FIGURE 5-5. LIFT CYLINDER ASSEMBLY - JIB - 600SJ & 660SJ (ORIGINAL EQUIPMENT)



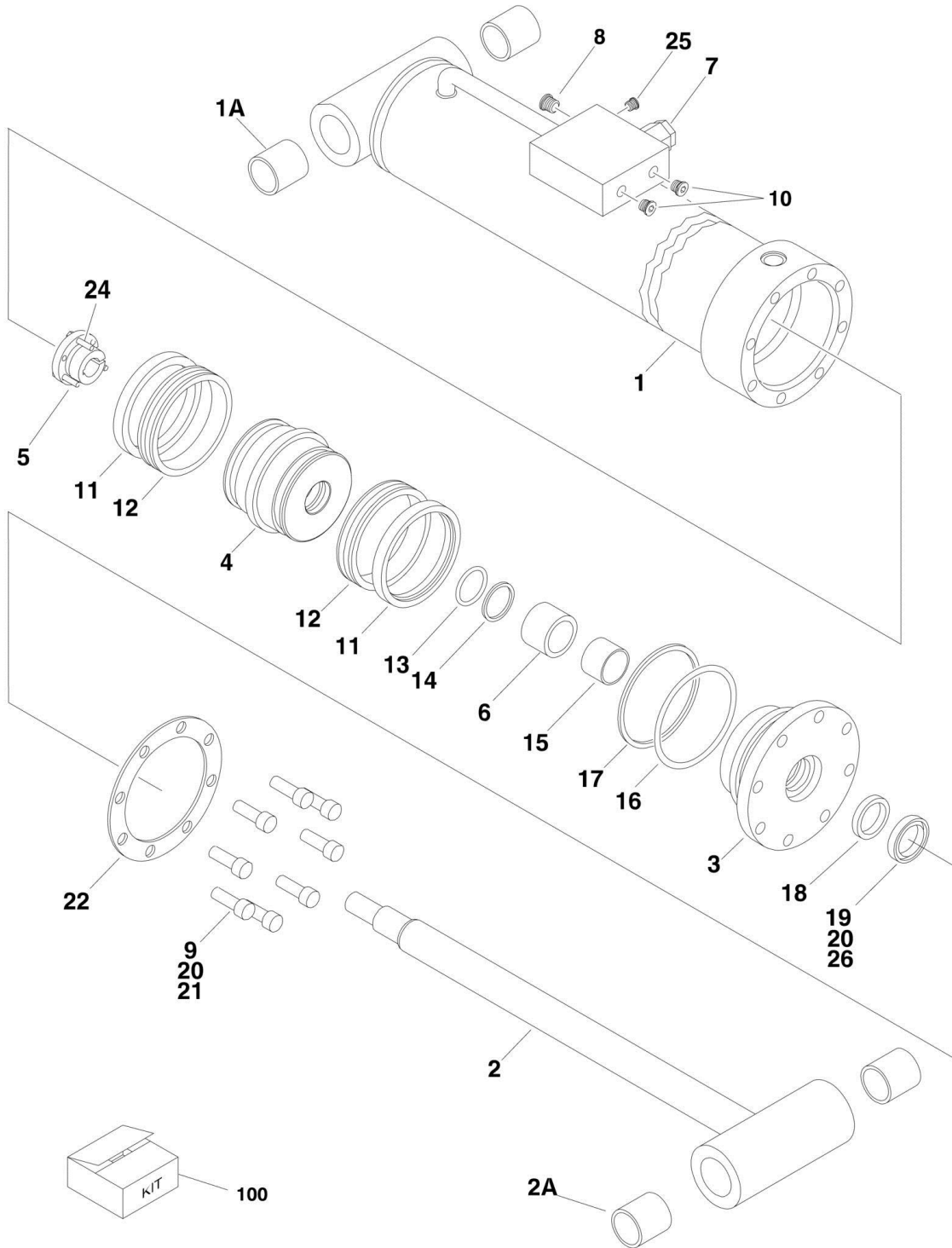
SECTION 5 - CYLINDER

FIGURE 5-5. LIFT CYLINDER ASSEMBLY - JIB - 600SJ & 660SJ (ORIGINAL EQUIPMENT)

| ITEM | PART NUMBER | QTY | DESCRIPTION | REV |
|------|-------------|-----|---|-----|
| | 1683609 | Ref | JIB LIFT CYLINDER ASSEMBLY - 600SJ & 660SJ | K |
| 1 | 1684089 | 1 | Barrel | |
| 1A | 0962336 | 2 | Bushing | |
| 2 | 1683053 | 1 | Head | |
| 3 | 3760368 | 1 | Ring, Washer | |
| 4 | 3931516 | 8 | Capscrew, Socket Head 5/16in-18NC x 1in | |
| 5 | 1684090 | 1 | Rod | |
| 5A | 0962336 | 2 | Bushing | |
| 6 | 4640509 | 2 | Cartridge, Valve | |
| 6 | 2900792 | 2 | Seal Kit - 4640509 Valve | |
| 8 | 2220883 | 2 | Plug, O-Ring #4 | |
| 9 | 2220885 | 1 | Plug, O-Ring #6 | |
| 10 | 3480210 | 1 | Piston | |
| 11 | 0961893 | 1 | Bushing, Tapered | |
| 12 | 4100100 | 1 | Spacer, Tube | |
| 14 | See Note | NSS | Seal (Note: Use Item 100) | |
| 15 | See Note | NSS | Ring, Lock (Note: Use Item 100) | |
| 16 | See Note | NSS | O-Ring (Note: Use Item 100) | |
| 17 | See Note | NSS | Ring, Back-up (Note: Use Item 100) | |
| 18 | See Note | NSS | O-Ring (Note: Use Item 100) | |
| 19 | See Note | NSS | Ring, Back-up (Note: Use Item 100) | |
| 20 | See Note | NSS | Seal, Rod (Note: Use Item 100) | |
| 21 | See Note | NSS | Wiper (Note: Use Item 100) | |
| 22 | See Note | NSS | Ring, Wear (Note: Use Item 100) | |
| 23 | 0100011 | AR | Compound, Locking | |
| 24 | 0100038 | AR | Primer, Locking | |
| 26 | 0630534 | 3 | Bolt #10-24NC x 1in | |
| 100 | 2901303 | 1 | Seal Kit (Includes Items 14-22) | |

SECTION 5 - CYLINDER

FIGURE 5-6. LIFT CYLINDER ASSEMBLY - MAIN BOOM



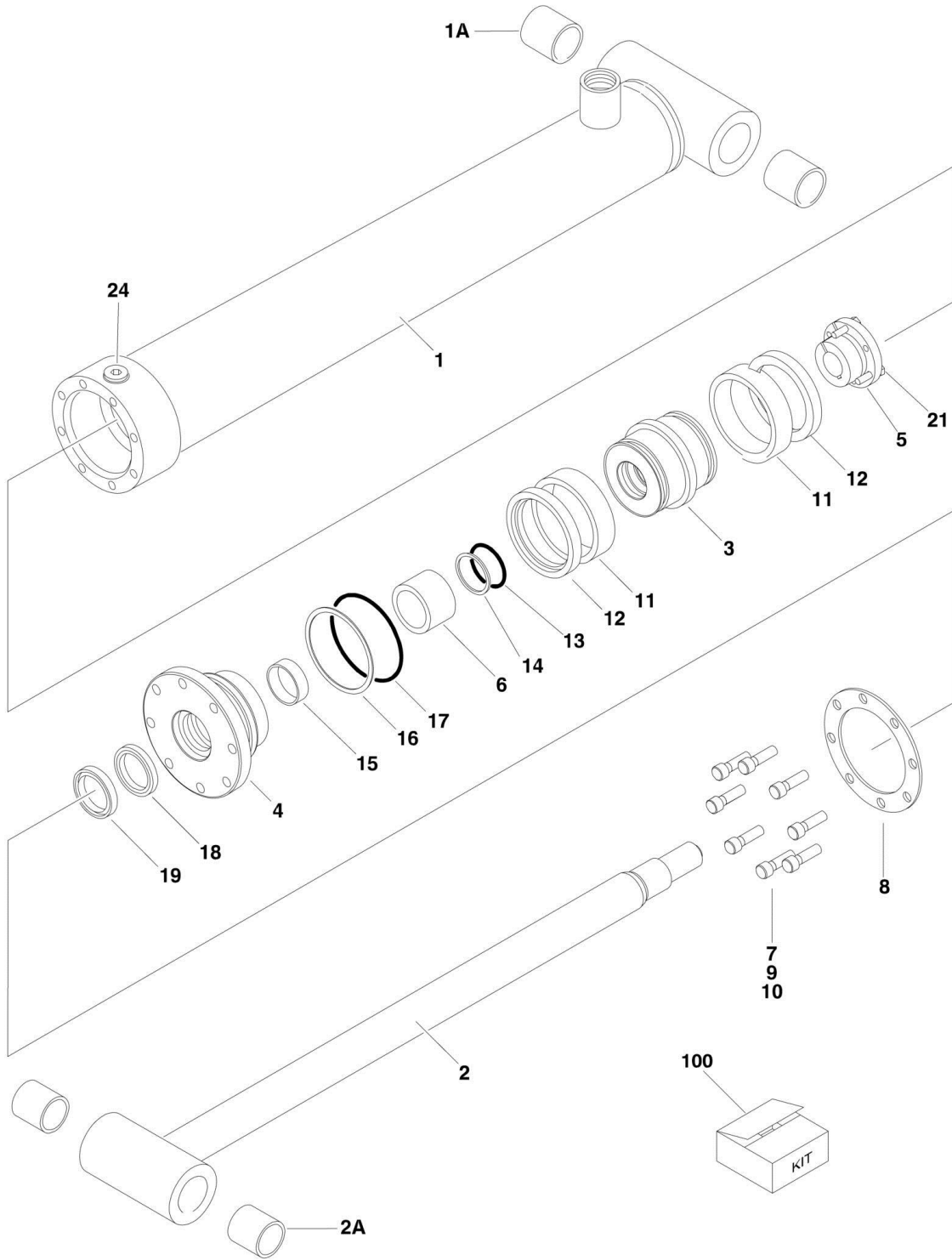
SECTION 5 - CYLINDER

FIGURE 5-6. LIFT CYLINDER ASSEMBLY - MAIN BOOM

| ITEM | PART NUMBER | QTY | DESCRIPTION | REV |
|------|-------------|-----|--|-----|
| | | Ref | Note: Original Equipment Cylinder may have been replaced with Service Replacement Cylinder. Identify p/n stamped on cylinder before ordering parts. | |
| | 1683666 | Ref | LIFT CYLINDER ASSEMBLY - MAIN BOOM OPTIONS: USA Built Machines (SN 0300087000 through 0300138401) USA Built Machines (SN 0300138402 through 0300171769) China Built Machines (SN B300000100 through B300000969) Note: For complete service replacement of p/n 1683666 order p/n 1001112468. | H |
| | 1001112468 | Ref | | B |
| | 1001112468 | Ref | | B |
| | | Ref | | |
| | | Ref | | |
| 1 | | Ref | Barrel Weldment Options: | |
| 1 | 1683955 | NLA | USA Built Machines (Use p/n 1001112467) (SN 0300087000 through 0300138401) | |
| 1 | 1001112467 | 1 | USA Built Machines (SN 0300138402 through 0300171769) | |
| 1 | 1001112467 | 1 | China Built Machines (SN B300000100 through B300000969) | |
| 1A | 0961950 | 2 | Bushing | |
| 2 | 1683954 | 1 | Rod Weldment | |
| 2A | 0961950 | 2 | Bushing | |
| 3 | 1683067 | 1 | Head | |
| 4 | 3480206 | 1 | Piston | |
| 5 | 0961898 | 1 | Bushing, Tapered (Use Item #24 in place of supplied bolts) | |
| 6 | 4566501 | 1 | Spacer, Tube | |
| 7 | 4640509 | 1 | Cartridge, Valve | |
| 7 | 2900792 | 1 | Seal Kit - 4640509 Valve | |
| 8 | 2220887 | 1 | Plug, O-Ring | |
| 9 | 3932032 | 8 | Bolt, Socket Head 5/16in-11NC x 2in | |
| 10 | 2220883 | 2 | Plug, O-Ring | |
| 11 | See Note | NSS | Ring, Lock (Note: Use Item 100) | |
| 12 | See Note | NSS | Seal, Hydrolock (Note: Use Item 100) | |
| 13 | See Note | NSS | O-Ring (Note: Use Item 100) | |
| 14 | See Note | NSS | Ring, Back-up (Note: Use Item 100) | |
| 15 | See Note | NSS | Ring, Wear (Note: Use Item 100) | |
| 16 | See Note | NSS | O-Ring (Note: Use Item 100) | |
| 17 | See Note | NSS | Ring, Back-up (Note: Use Item 100) | |
| 18 | See Note | NSS | Seal, Rod (Note: Use Item 100) | |
| 19 | See Note | NSS | Wiper (Note: Use Item 100) | |
| 20 | 0100011 | AR | Compound, Locking | |
| 21 | 0100038 | AR | Primer, Locking | |
| 22 | 3760372 | 1 | Washer, Ring | |
| 24 | 0630536 | 3 | Screw, Socket Head 3/8in-16NC x 1-1/2in | |
| 25 | 2220235 | 1 | Plug, O-Ring | |
| 26 | 0100063 | AR | Loctite #609 (SN 0300087000 through 0300090183) | |
| 100 | 2901285 | 1 | Seal Kit - 1683666 & 1001112468 Cylinder (Includes Items 11-19) | |

SECTION 5 - CYLINDER

FIGURE 5-7. MASTER CYLINDER ASSEMBLY



SECTION 5 - CYLINDER

FIGURE 5-7. MASTER CYLINDER ASSEMBLY

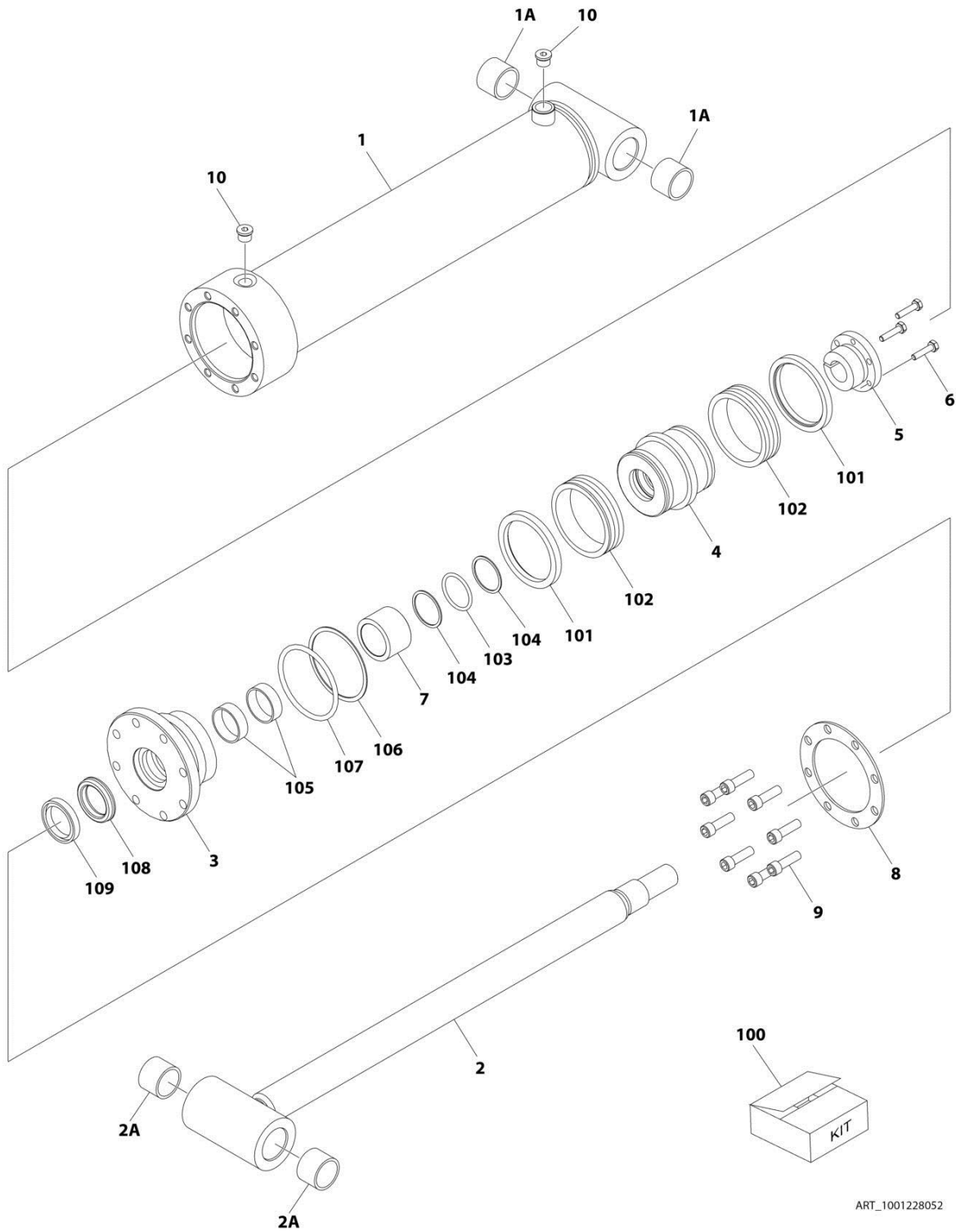
| ITEM | PART NUMBER | QTY | DESCRIPTION | REV |
|------|-------------|-----|---|-----|
| | | Ref | MASTER CYLINDER ASSEMBLY | |
| | | Ref | Master Cylinder Assemblies 600S: | |
| | 1683266 | Ref | USA Built Machines (SN 0300087000 through 0300096978) | F |
| | 1684414 | Ref | USA Built Machines (SN 0300096979 through 0300171769) | E |
| | 1684414 | Ref | China Built Machines (SN B300000100 through B300000969) | E |
| | | Ref | Note: 600S Only China Built Machines SN B300000817 to SN B300000859 use cylinder p/n 1001140593. For replacement components contact JLG Parts Dept | |
| | | Ref | Master Cylinder Assemblies 600SJ/660SJ: | |
| | 1683263 | Ref | USA Built Machines (SN 0300087000 through 0300096978) | K |
| | 1684413 | Ref | USA Built Machines (Original Equipment) (SN 0300096979 through 0300171769) | I |
| | 1684413 | Ref | China Built Machines (Original Equipment) (SN B300000100 through B300000969) | I |
| 1 | | Ref | Barrel Options: | |
| 1 | 1683972 | 1 | Barrel 600S (Note: Includes Item 1A) | |
| 1 | 1683949 | 1 | Barrel 600SJ/660SJ (Note: Item 1A not included - Purchase Separately) | |
| 1A | | Ref | Bushing Options: | |
| 1A | 0961947 | 2 | Bushing 600S Bushing | |
| 1A | 0961951 | 2 | Bushing 600SJ/660SJ Bushing | |
| 2 | | Ref | Rod Options: | |
| 2 | | Ref | Rod 600S Rod (Note: Includes Item 2A): | |
| 2 | 1683973 | 1 | USA Built Machines (SN 0300087000 through 0300096978) | |
| 2 | 3850020 | 1 | USA Built Machines (SN 0300096979 through 0300171769) | |
| 2 | 3850020 | 1 | China Built Machines (SN B300000100 through B300000969) | |
| 2 | | Ref | Rod 600SJ/660SJ (Note: Item 2A not included - Purchase Separately): | |
| 2 | 1683962 | 1 | USA Built Machines (SN 0300087000 through 0300096978) | |
| 2 | 3850019 | NLA | USA Built Machines (Use p/n 1683963) (SN 0300096979 through 0300131101) | |
| 2 | 1683963 | 1 | USA Built Machines (SN 0300131102 through 0300171769) | |
| 2 | 1683963 | 1 | China Built Machines (SN B300000100 through B300000969) | |
| 2A | | Ref | Bushing Options: | |
| 2A | 0961947 | 2 | Bushing 600S Bushing | |
| 2A | 0961951 | 2 | Bushing 600SJ/660SJ Bushing | |
| 3 | | Ref | Piston Options: | |
| 3 | 3480210 | 1 | Piston 600S | |
| 3 | 3480188 | 1 | Piston 600SJ/660SJ | |
| 4 | | Ref | Head Options: | |
| 4 | 1683053 | 1 | Head 600S | |
| 4 | 1683055 | 1 | Head 600SJ/660SJ | |
| 5 | | Ref | Bushing, Tapered Options: | |
| 5 | 0961893 | 1 | Bushing, Tapered 600S | |
| 5 | 0961894 | 1 | Bushing, Tapered 600SJ/660SJ | |
| 6 | 4566468 | 1 | Spacer, Tube | |
| 7 | | Ref | Capscrew Options: | |
| 7 | 3931516 | 8 | Capscrew 600S - Capscrew 5/16in-18NC x 1in | |
| 7 | 3931620 | 8 | Capscrew 600SJ/660SJ - Capscrew 3/8in-16NC x 1-1/4in | |
| 8 | | Ref | Ring, Washer Options: | |

SECTION 5 - CYLINDER

| ITEM | PART NUMBER | QTY | DESCRIPTION | REV |
|------|-------------|-----|---|-----|
| 8 | 3760368 | 1 | Ring, Washer 600S | |
| 8 | 3760369 | 1 | Ring, Washer 600SJ/660SJ | |
| 9 | 0100011 | AR | Compound, Locking | |
| 10 | 0100038 | AR | Primer, Locking | |
| 11 | See Note | NSS | Seal (Note: Use Item 100A or 100B) | |
| 12 | See Note | NSS | Ring, Lock (Note: Use Item 100A or 100B) | |
| 13 | See Note | NSS | O-Ring (Note: Use Item 100A or 100B) | |
| 14 | See Note | NSS | Ring, Back-up (Note: Use Item 100A or 100B) | |
| 15 | See Note | NSS | Ring, Wear (Note: Use Item 100A or 100B) | |
| 16 | See Note | NSS | O-Ring (Note: Use Item 100A or 100B) | |
| 17 | See Note | NSS | Ring, Back-up (Note: Use Item 100A or 100B) | |
| 18 | See Note | NSS | Seal, Rod (Note: Use Item 100A or 100B) | |
| 19 | See Note | NSS | Wiper (Note: Use Item 100A or 100B) | |
| 21 | | Ref | Screw Options: | |
| 21 | 0630534 | 3 | Screw 600S - Screw, Socket Head #10-24NC x 1in | |
| 21 | 0630535 | 3 | Screw 600SJ/660SJ - Screw, Socket Head 1/4in-20NC x 1-1/8in | |
| 24 | 2220885 | 1 | Fitting, Plug (600SJ/660SJ - 1683263 Cylinder Only) | |
| 100 | | Ref | Seal Kit (Includes Items 11-19) | |
| 100A | 2901303 | | Seal Kit 600S Seal Kit | |
| 100B | 2901301 | | Seal Kit 600SJ/660SJ Seal Kit | |

SECTION 5 - CYLINDER

FIGURE 5-8. MASTER CYLINDER ASSEMBLY - 600SJ/660SJ (SERVICE REPAACEMENT)



ART_1001228052

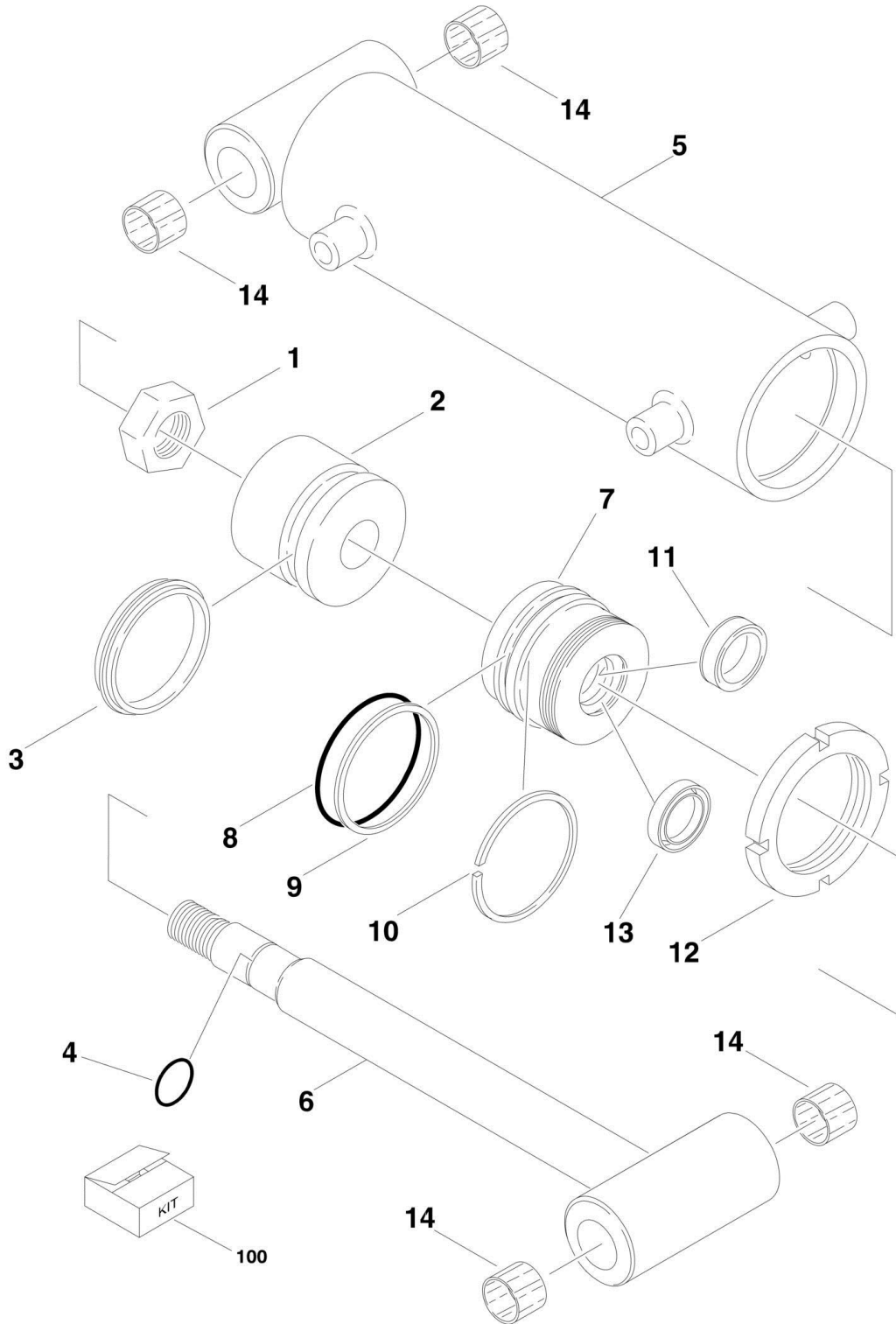
SECTION 5 - CYLINDER

FIGURE 5-8. MASTER CYLINDER ASSEMBLY - 600SJ/660SJ (SERVICE REPAACEMENT)

| ITEM | PART NUMBER | QTY | DESCRIPTION | REV |
|------|-------------|-----|--|-----|
| | 1001228052 | Ref | MASTER CYLINDER ASSEMBLY - 600SJ/660SJ (SERVICE REPAACEMENT) Note: Original Cylinder May Have Been Replaced with Service Replacement. Identify PN Stamped on Cylinder Before Ordering Parts. | A |
| | | Ref | | |
| 1 | See Note | NSS | Barrel Weldment (Note: Not Available for Purchase) | |
| 1A | 0961951 | 2 | Bushing | |
| 2 | 70006447 | 1 | Rod Weldment | |
| 2A | 0961951 | 2 | Bushing | |
| 3 | 70006446 | 1 | Head | |
| 4 | 70006445 | 1 | Piston | |
| 5 | 70006444 | 1 | Bushing, Tapered | |
| 6 | 0630535 | 3 | Capscrew 1/4 x 1-1/8 | |
| 7 | 70006443 | 1 | Spacer | |
| 8 | 70006442 | 1 | Ring, Washer | |
| 9 | 3931620 | 8 | Capscrew 3/8 x 1-1/4 | |
| 10 | 2220885 | 2 | Plug, O-Ring | |
| 100 | 1001138796 | 1 | Seal Kit (Includes Items 12-21) | |
| 101 | See Note | NSS | Ring, Wear (Note: Use Item 100) | |
| 102 | See Note | NSS | Seal, Piston (Note: Use Item 100) | |
| 103 | See Note | NSS | O-Ring (Note: Use Item 100) | |
| 104 | See Note | NSS | Ring, Back-up (Note: Use Item 100) | |
| 105 | See Note | NSS | Ring, Wear (Note: Use Item 100) | |
| 106 | See Note | NSS | O-Ring (Note: Use Item 100) | |
| 107 | See Note | NSS | Ring, Back-up (Note: Use Item 100) | |
| 108 | See Note | NSS | Seal, Rod (Note: Use Item 100) | |
| 109 | See Note | NSS | Wiper, Rod (Note: Use Item 100) | |

SECTION 5 - CYLINDER

FIGURE 5-9. STEER CYLINDER ASSEMBLY (USA BUILT MACHINES) (SN 0300087000 through 0300142634)



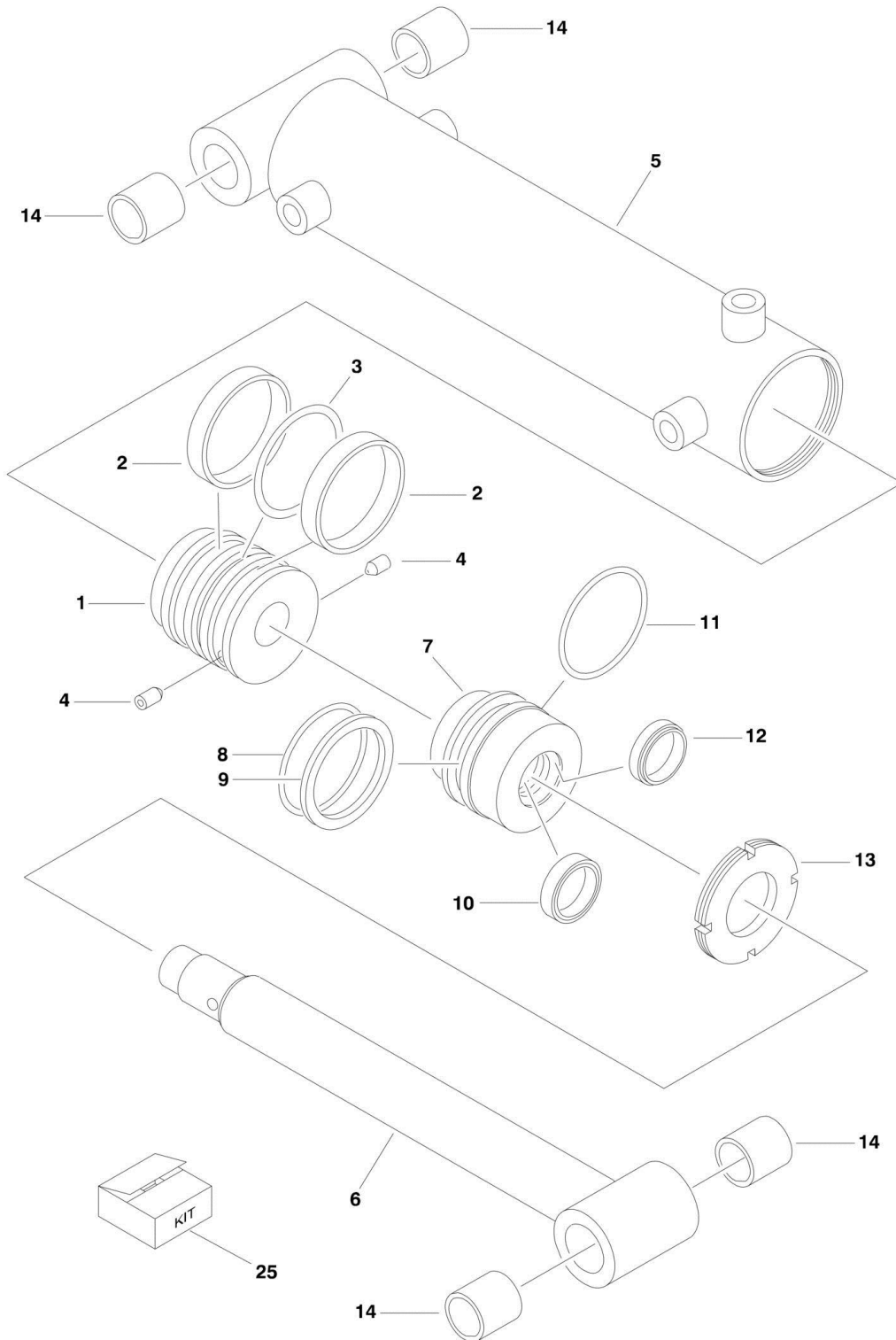
SECTION 5 - CYLINDER

FIGURE 5-9. STEER CYLINDER ASSEMBLY (USA BUILT MACHINES) (SN 0300087000 through 0300142634)

| ITEM | PART NUMBER | QTY | DESCRIPTION | REV |
|------|-------------|-----|---|-----|
| | 1683208 | Ref | STEER CYLINDER ASSEMBLY | C |
| 1 | 7001626 | 1 | Locknut | |
| 2 | 7001627 | 1 | Piston | |
| 3 | See Note | NSS | Seal (Note: Use Item 100) | |
| 4 | See Note | NSS | O-Ring (Note: Use Item 100) | |
| 5 | See Note | NSS | Barrel Weldment (Note: Not Available - Purchase Complete Steer Cylinder Assembly) | |
| 6 | 7001633 | 1 | Rod Weldment | |
| 7 | 7001629 | 1 | Head | |
| 8 | See Note | NSS | O-Ring (Note: Use Item 100) | |
| 9 | See Note | NSS | Ring, Back-up (Note: Use Item 100) | |
| 10 | See Note | NSS | Ring, Retainer (Note: Use Item 100) | |
| 11 | See Note | NSS | Seal, Lip (Note: Use Item 100) | |
| 12 | 7001630 | 1 | Nut, Spanner | |
| 13 | See Note | NSS | Wiper (Note: Use Item 100) | |
| 14 | 0961977 | 4 | Bushings | |
| 100 | 7001625 | 1 | Seal Kit - 1683208 (Includes Items 3, 4, 8-11 & 13) | |

SECTION 5 - CYLINDER

FIGURE 5-10. STEER CYLINDER ASSEMBLY (USA BUILT MACHINES AND CHINA BUILT MACHINES)
(SN 0300142635 through 0300171769, SN B300000100 through B300000969)



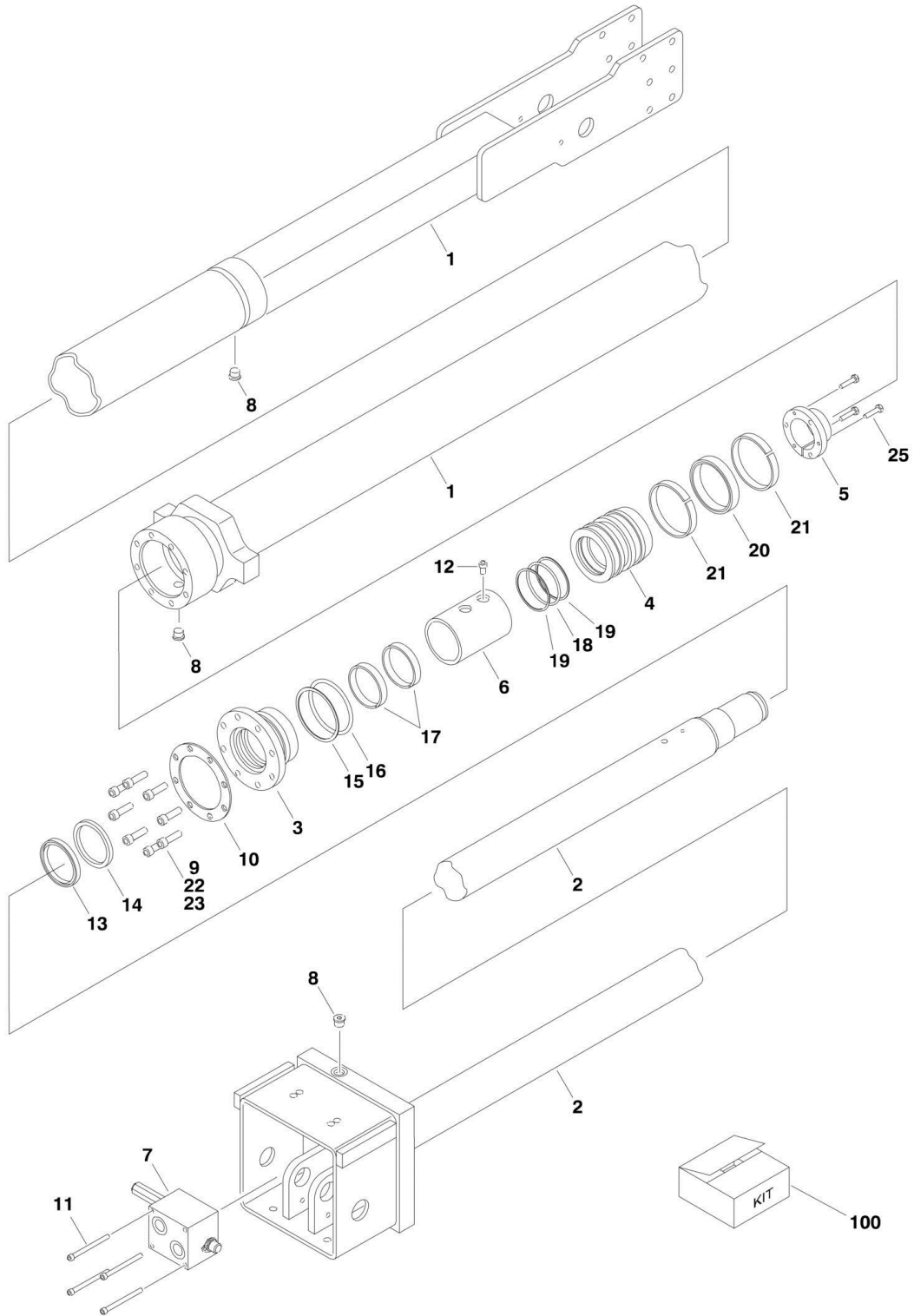
SECTION 5 - CYLINDER

**FIGURE 5-10. STEER CYLINDER ASSEMBLY (USA BUILT MACHINES AND CHINA BUILT MACHINES)
(SN 0300142635 through 0300171769, SN B300000100 through B300000969)**

| ITEM | PART NUMBER | QTY | DESCRIPTION | REV |
|------|-------------|-----|--|-----|
| | | Ref | STEER CYLINDER ASSEMBLIES | |
| | | Ref | USA Built Machines (See STEER CYLINDER ASSEMBLY for Breakdown) (SN 0300087000 through 0300142634) | |
| | 1001097242 | Ref | USA Built Machines (SN 0300142635 through 0300171769) | A |
| | 1001097242 | Ref | China Built Machines (SN B300000100 through B300000969) | A |
| 1 | 70002752 | 1 | Piston | |
| 1 | 0100011 | AR | Compound, Locking | |
| 1 | 0100038 | AR | Primer, Locking | |
| 2 | See Note | NSS | Seal (Note: Use Item 25) | |
| 3 | See Note | NSS | O-Ring (Note: Use Item 25) | |
| 4 | 70002745 | 2 | Setscrew | |
| 5 | 70002753 | 1 | Barrel | |
| 6 | 70002754 | 1 | Rod | |
| 7 | 70002755 | 1 | Head | |
| 8 | See Note | NSS | O-Ring (Note: Use Item 25) | |
| 9 | See Note | NSS | Ring, Back-up (Note: Use Item 25) | |
| 10 | See Note | NSS | Seal (Note: Use Item 25) | |
| 11 | See Note | NSS | O-Ring (Note: Use Item 25) | |
| 12 | See Note | NSS | Wiper (Note: Use Item 25) | |
| 13 | 70002756 | 1 | Nut, Spanner | |
| 13 | 0100011 | AR | Compound, Locking | |
| 13 | 0100038 | AR | Primer, Locking | |
| 14 | 0962356 | 4 | Bushing | |
| 25 | 70002757 | 1 | Seal Kit (Includes Items 2, 3 & 8-12) | |

SECTION 5 - CYLINDER

FIGURE 5-11. TELESCOPE CYLINDER ASSEMBLIES



SECTION 5 - CYLINDER

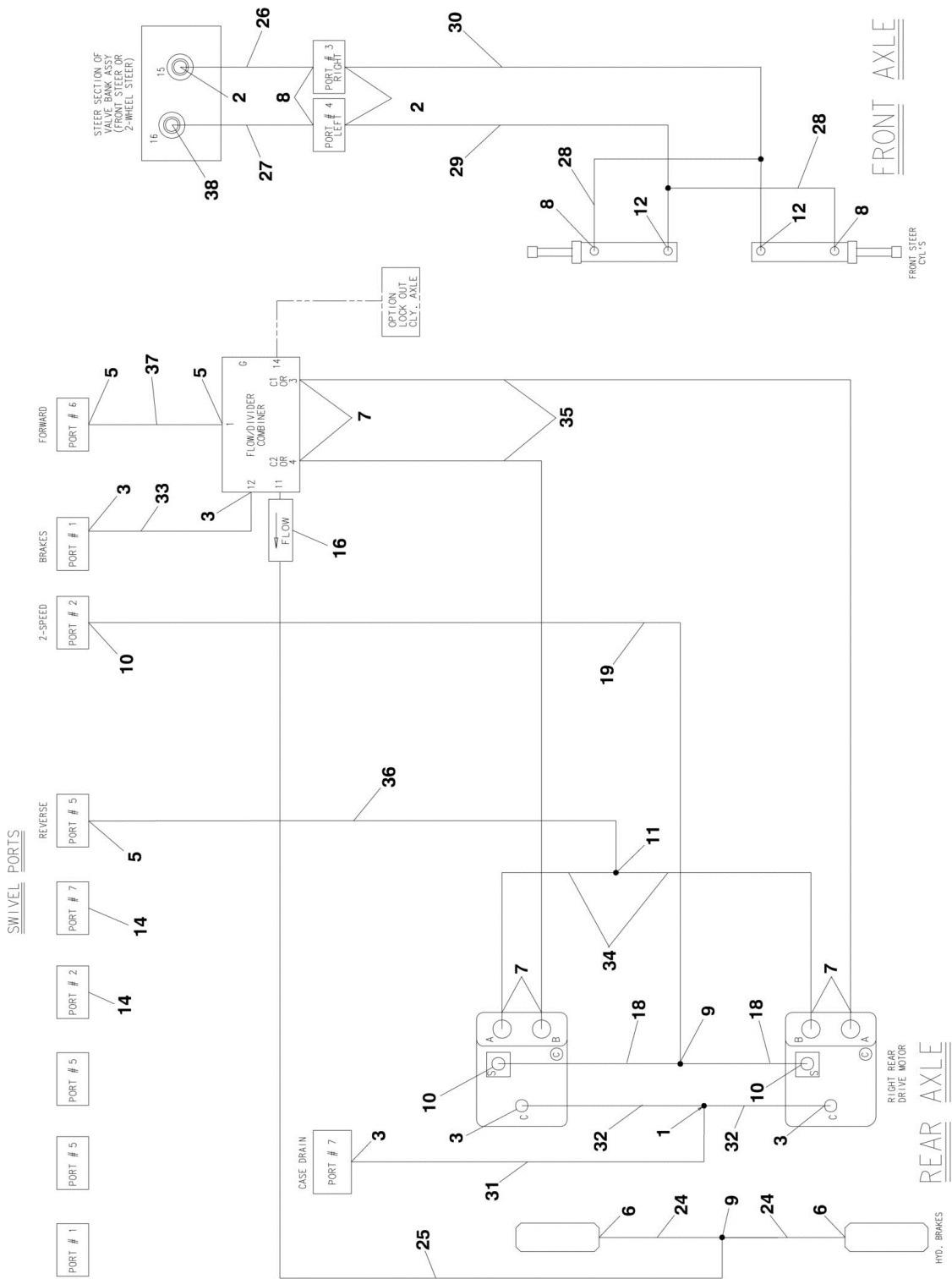
FIGURE 5-11. TELESCOPE CYLINDER ASSEMBLIES

| ITEM | PART NUMBER | QTY | DESCRIPTION | REV |
|------|-------------|-----|---|-----|
| | | Ref | TELESCOPE CYLINDER ASSEMBLIES | |
| | 1683618 | Ref | Telescope Cylinder Assemblies 600S & 660SJ | 3-G |
| | 1683620 | Ref | Telescope Cylinder Assemblies 600SJ | F |
| 1 | | Ref | Barrel Options: | |
| 1 | 1683619 | 1 | Barrel 600S & 660SJ | |
| 1 | 1683621 | 1 | Barrel 600SJ | |
| 2 | | Ref | Rod Options: | |
| 2 | 1683250 | 1 | Rod 600S & 660SJ | |
| 2 | 1683359 | 1 | Rod 600SJ | |
| 3 | 1683057 | 1 | Head | |
| 4 | 3480205 | 1 | Piston | |
| 5 | 0961897 | 1 | Bushing, Tapered | |
| 6 | 4566644 | 1 | Spacer, Tube | |
| 7 | 4641028 | 1 | Valve Assembly (No serviceable parts - sold as assembly only) | |
| 7 | 7024397 | 2 | O-Rings Between Valve Block and Cylinder | |
| 8 | 2220885 | 6 | Plug, O-Ring | |
| 9 | 3931620 | 8 | Capscrew 3/8in-16NC x 1-1/4in | |
| 10 | 3760369 | 1 | Ring, Washer | |
| 11 | 3931448 | 4 | Capscrew 1/4in-20NC x 3in | |
| 12 | 3931508 | 1 | Capscrew 5/16in-18NC x 1/2in | |
| 13 | See Note | NSS | Wiper (Note: Use Item 100) | |
| 14 | See Note | NSS | Seal, Rod (Note: Use Item 100) | |
| 15 | See Note | NSS | O-Ring (Note: Use Item 100) | |
| 16 | See Note | NSS | Ring, Back-up (Note: Use Item 100) | |
| 17 | See Note | NSS | Ring, Wear (Note: Use Item 100) | |
| 18 | See Note | NSS | O-Ring (Note: Use Item 100) | |
| 19 | See Note | NSS | Ring, Back-up (Note: Use Item 100) | |
| 20 | See Note | NSS | T-Seal (Note: Use Item 100) | |
| 21 | See Note | NSS | Ring, Wear (Note: Use Item 100) | |
| 22 | 0100011 | AR | Compound, Locking | |
| 23 | 0100038 | AR | Primer, Locking | |
| 25 | 0630535 | 3 | Bolt 1/4in-20NC x 1-1/8in | |
| 100 | 2901284 | 1 | Seal Kit (Includes Items 13-21) | |

SECTION 6 - HYDRAULIC

SECTION 6 - HYDRAULIC

FIGURE 6-1. HYDRAULIC DIAGRAM - DRIVE AND STEER (2WD/2WS)



SECTION 6 - HYDRAULIC

FIGURE 6-1. HYDRAULIC DIAGRAM - DRIVE AND STEER (2WD/2WS)

| ITEM | PART NUMBER | QTY | DESCRIPTION | REV |
|------|-------------|-----|---|-----|
| | | Ref | Note: 2WD Only Available on USA Built Machines | |
| | 2792616 | Ref | DRIVE AND STEER HYDRAULIC DIAGRAM - 2WD/2WS | 5-0 |
| 1 | 2220362 | 1 | Fitting, Tee | |
| 2 | 2220371 | 3 | Fitting, Straight | |
| 3 | 2220373 | 5 | Fitting, Straight | |
| 5 | 2220377 | 3 | Fitting, Straight | |
| 6 | 2220415 | 2 | Fitting, Straight | |
| 7 | 2220451 | 6 | Fitting, Straight | |
| 8 | 2220473 | 4 | Fitting, 90 | |
| 9 | 2220504 | 2 | Fitting, Tee | |
| 10 | 2220582 | 3 | Fitting, Straight | |
| 11 | 2221170 | 1 | Fitting, Tee | |
| 12 | 2220606 | 2 | Fitting, Tee | |
| 14 | 2220307 | 2 | Fitting, Plug | |
| 16 | 4641307 | 1 | Valve, Check | |
| 18 | 2753925 | 2 | Hose | |
| 19 | 2753924 | 1 | Hose | |
| 24 | 2752592 | 2 | Hose | |
| 25 | 2752910 | 1 | Hose | |
| 26 | 2752478 | 1 | Hose | |
| 27 | 2752632 | 1 | Hose | |
| 28 | 2753397 | 2 | Hose | |
| 29 | 2752475 | 1 | Hose | |
| 30 | 2752611 | 1 | Hose | |
| 31 | 2752928 | 1 | Hose | |
| 32 | 2753929 | 2 | Hose | |
| 33 | 2752929 | 1 | Hose | |
| 34 | 2753969 | 2 | Hose | |
| 35 | 2753967 | 2 | Hose | |
| 36 | 2752341 | 1 | Hose | |
| 37 | 2753435 | 1 | Hose | |
| 38 | | Ref | Fitting, Straight Options: | |
| 38 | 2220371 | 1 | Fitting, Straight (SN 0300087000 through 0300104455) | |
| 38 | 2220998 | 1 | Fitting, Straight (SN 0300104456 through 0300171769) | |

SECTION 6 - HYDRAULIC

FIGURE 6-2. HYDRAULIC DIAGRAM - DRIVE AND STEER (4WD/2WS)

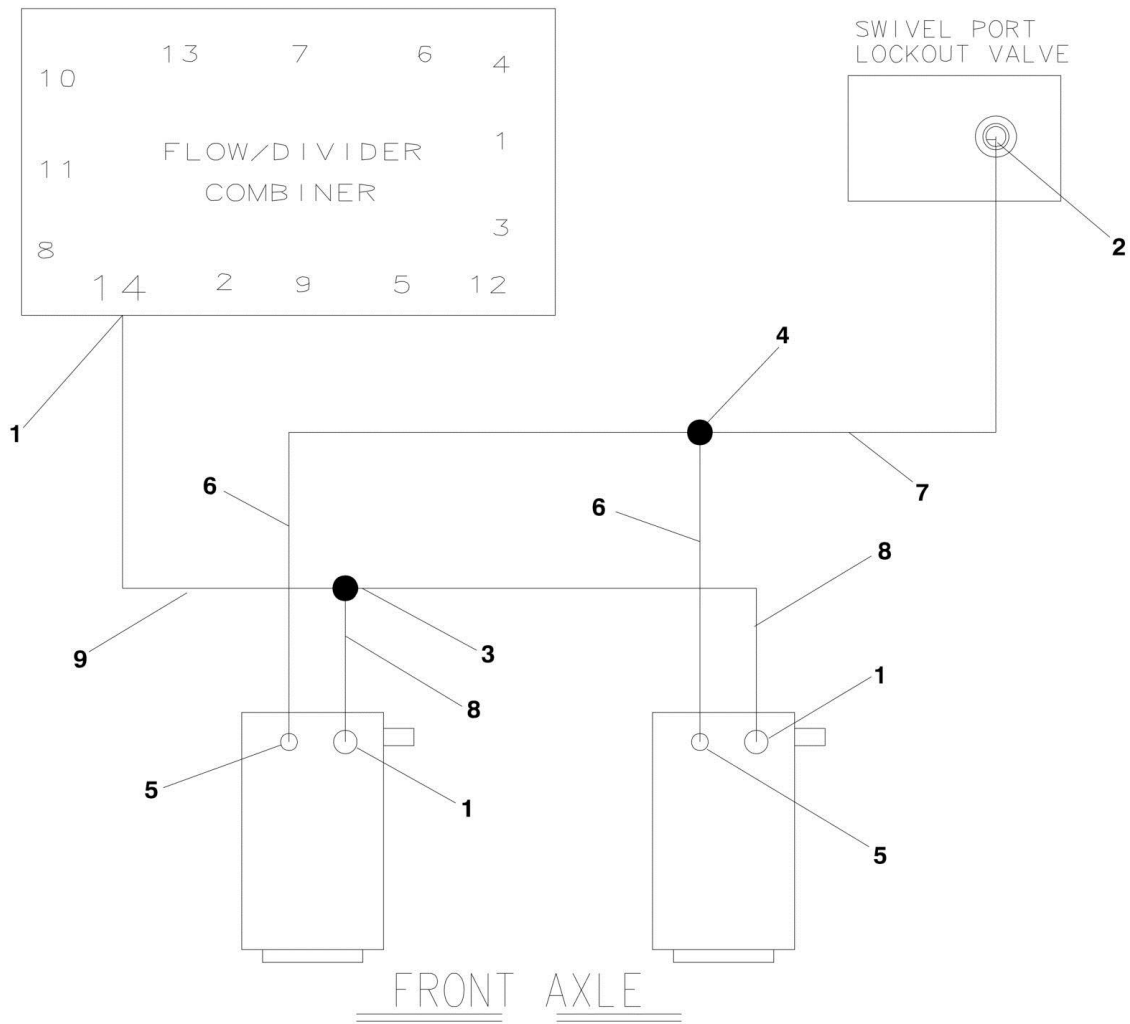
| ITEM | PART NUMBER | QTY | DESCRIPTION | REV |
|------|-------------|-----|--|-----|
| | | Ref | DRIVE AND STEER HYDRAULIC DIAGRAM - 4WD/2WS | |
| | 2792607 | Ref | USA Built Machines | B-O |
| | 1001114074 | Ref | China Built Machines | C |
| 1 | 2220362 | 2 | Fitting, Tee | |
| 2 | 2220371 | 3 | Fitting, Straight | |
| 3 | 2220373 | 12 | Fitting, Straight | |
| 4 | 2220375 | 8 | Fitting, Straight | |
| 5 | 2220377 | 4 | Fitting, Straight | |
| 6 | 2220415 | 4 | Fitting, Straight | |
| 8 | 2220473 | 4 | Fitting, 90 | |
| 9 | 2220504 | 4 | Fitting, Tee | |
| 10 | 2220582 | 6 | Fitting, Straight | |
| 11 | 2220596 | 4 | Fitting, 90 | |
| 12 | 2220606 | 2 | Fitting, Tee | |
| 13 | 2220861 | 1 | Fitting, Tee | |
| 14 | 2220237 | 2 | Plug | |
| 16 | 4641284 | 1 | Valve, Check | |
| 18 | | Ref | Hose Options: | |
| 18 | 2753925 | 2 | USA Built Machines | |
| 18 | 1001113864 | 2 | China Built Machines | |
| 19 | | Ref | Hose Options: | |
| 19 | 2753924 | 1 | USA Built Machines | |
| 19 | 1001113862 | 1 | China Built Machines | |
| 20 | | Ref | Hose Options: | |
| 20 | 2753926 | 2 | USA Built Machines | |
| 20 | 1001113866 | 2 | China Built Machines | |
| 22 | | Ref | Hose Options: | |
| 22 | 2752574 | 2 | USA Built Machines | |
| 22 | 1001113805 | 2 | China Built Machines | |
| 23 | | Ref | Hose Options: | |
| 23 | 2752977 | 1 | USA Built Machines | |
| 23 | 1001113838 | 1 | China Built Machines | |
| 24 | | Ref | Hose Options: | |
| 24 | 2752592 | 2 | USA Built Machines | |
| 24 | 1001113809 | 2 | China Built Machines | |
| 25 | | Ref | Hose Options: | |
| 25 | 2752910 | 1 | USA Built Machines | |
| 25 | 1001113890 | 1 | China Built Machines | |
| 26 | | Ref | Hose Options: | |
| 26 | 2752478 | 1 | USA Built Machines | |
| 26 | 1001113794 | 1 | China Built Machines | |
| 27 | | Ref | Hose Options: | |
| 27 | 2752632 | 1 | USA Built Machines | |
| 27 | 1001113838 | 1 | China Built Machines | |
| 28 | | Ref | Hose Options: | |
| 28 | 2753397 | 2 | USA Built Machines | |
| 28 | 1001113854 | 2 | China Built Machines | |
| 29 | | Ref | Hose Options: | |
| 29 | 2752475 | 1 | USA Built Machines | |
| 29 | 1001113793 | 1 | China Built Machines | |

SECTION 6 - HYDRAULIC

| ITEM | PART NUMBER | QTY | DESCRIPTION | REV |
|------|-------------|-----|---|-----|
| 30 | | Ref | Hose Options: | |
| 30 | 2752611 | 1 | USA Built Machines | |
| 30 | 1001113818 | 1 | China Built Machines | |
| 31 | | Ref | Hose Options: | |
| 31 | 2752928 | 2 | USA Built Machines | |
| 31 | 1001113835 | 2 | China Built Machines | |
| 32 | | Ref | Hose Options: | |
| 32 | 2753928 | 2 | USA Built Machines | |
| 32 | 1001113868 | 2 | China Built Machines | |
| 33 | | Ref | Hose Options: | |
| 33 | 2753929 | 2 | USA Built Machines | |
| 33 | 1001113878 | 2 | China Built Machines | |
| 34 | | Ref | Hose Options: | |
| 34 | 2752929 | 1 | USA Built Machines | |
| 34 | 1001113836 | 1 | China Built Machines | |
| 35 | | Ref | Hose Options: | |
| 35 | 2753931 | 4 | USA Built Machines | |
| 35 | 1001113895 | 4 | China Built Machines | |
| 36 | | Ref | Hose Options: | |
| 36 | 2753930 | 4 | USA Built Machines | |
| 36 | 1001113894 | 4 | China Built Machines | |
| 37 | | Ref | Hose Options: | |
| 37 | 2752331 | 2 | USA Built Machines | |
| 37 | 1001113898 | 2 | China Built Machines | |
| 38 | | Ref | Fitting, Straight Options: | |
| 38 | 2220371 | 1 | USA Built Machines (SN 0300087000 through 0300104455) | |
| 38 | 2220998 | 1 | USA Built Machines (SN 0300104456 through 0300171769) | |
| 38 | 2220998 | 1 | China Built Machines (SN B300000100 to Present) | |

SECTION 6 - HYDRAULIC

FIGURE 6-3. HYDRAULIC DIAGRAM - OSCILLATING AXLE



SECTION 6 - HYDRAULIC

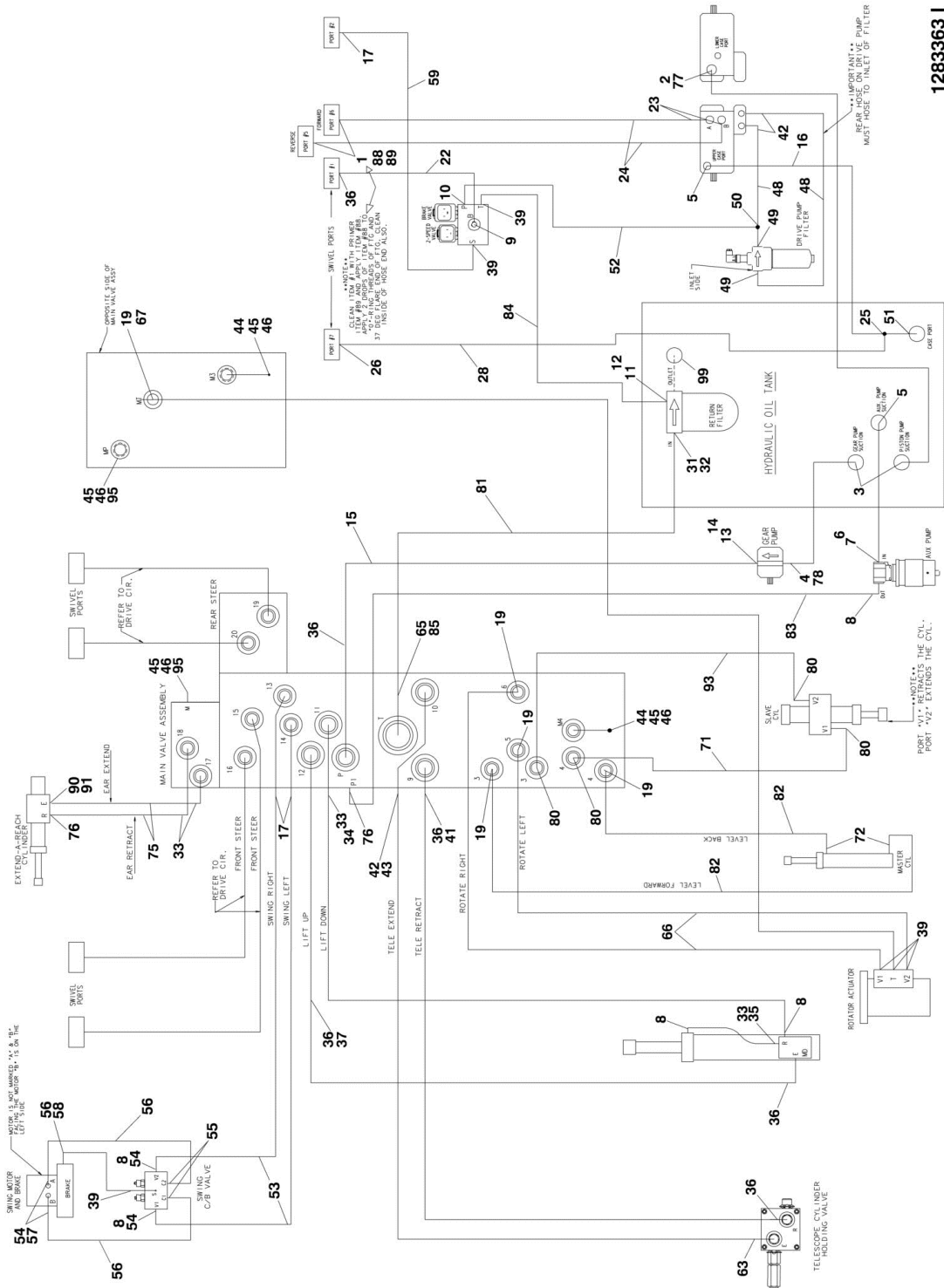
FIGURE 6-3. HYDRAULIC DIAGRAM - OSCILLATING AXLE

| ITEM | PART NUMBER | QTY | DESCRIPTION | REV |
|------|-------------|-----|--|-----|
| | | Ref | AXLE LOCKOUT HYDRAULIC DIAGRAM - OSCILLATING AXLE | |
| | 2792612 | Ref | USA Built Machines | 1-O |
| | 1001114075 | Ref | China Built Machines | B |
| 1 | 2220371 | 3 | Fitting, Straight | |
| 2 | 2220468 | 1 | Fitting, Straight | |
| 3 | 2220490 | 1 | Fitting, Tee | |
| 4 | 2220504 | 1 | Fitting, Tee | |
| 5 | 2220415 | 2 | Fitting, Straight | |
| 6 | | Ref | Hose Options: | |
| 6 | 2751434 | 2 | USA Built Machines | |
| 6 | 1001113914 | 2 | China Built Machines | |
| 7 | | Ref | Hose Options: | |
| 7 | 2751410 | 1 | USA Built Machines | |
| 7 | 1001113913 | 1 | China Built Machines | |
| 8 | | Ref | Hose Options: | |
| 8 | 2753933 | 2 | USA Built Machines | |
| 8 | 1001113879 | 2 | China Built Machines | |
| 9 | | Ref | Hose Options: | |
| 9 | 2752462 | 1 | USA Built Machines | |
| 9 | 1001113789 | NLA | China Built Machines (Use p/n 2752462) (SN B300000100 through B300000883) | |
| 9 | 2752462 | 1 | China Built Machine (SN B300000884 through B300000969) | |

SECTION 6 - HYDRAULIC

FIGURE 6-4. HYDRAULIC DIAGRAM - STANDARD

USA BUILT MACHINES SN 0300087000 THROUGH 0300137440



1283363 I

SECTION 6 - HYDRAULIC

FIGURE 6-4. HYDRAULIC DIAGRAM - STANDARD

| ITEM | PART NUMBER | QTY | DESCRIPTION | REV |
|------|-------------|-----|--|------|
| | | Ref | STANDARD HYDRAULIC DIAGRAM | |
| | | Ref | USA Built Machines | |
| | 2792608 | Ref | Standard Hydraulic Diagram 600S (SN 0300087000 through 0300166807) | B-O |
| | 1001143450 | Ref | Standard Hydraulic Diagram 600S (SN 0300166808 through 0300171769) | C |
| | 2792614 | Ref | Standard Hydraulic Diagram 600SJ | 11-O |
| | 2792613 | Ref | Standard Hydraulic Diagram 660SJ (SN 0300087000 through 0300166807) | B-O |
| | 1001143451 | Ref | Standard Hydraulic Diagram 660SJ (SN 0300166808 through 0300171769) | C |
| | | Ref | China Built Machines | |
| | 1001114072 | Ref | Standard Hydraulic Diagram 600S (SN B300000100 through B3000007699) | 1-B |
| | 1001143455 | Ref | Standard Hydraulic Diagram 600S (SN B300000700 through B300000969) | B |
| | 1001114073 | Ref | Standard Hydraulic Diagram 660SJ (SN B300000100 through B300000699) | 1-B |
| | 1001143456 | Ref | Standard Hydraulic Diagram 660SJ (SN B300000700 through B300000969) | B |
| 1 | 2220377 | 2 | Fitting, Straight | |
| 2 | | Ref | Hose Options: | |
| 2 | 2752752 | 1 | USA Built Machines | |
| 2 | 1001113905 | 1 | China Built Machines | |
| 3 | 2220380 | 2 | Fitting, Straight | |
| 4 | 2220376 | 1 | Fitting, Straight (Part of Pump Assembly) | |
| 5 | 2220578 | AR | Fitting, 90 | |
| 6 | | Ref | Hose Options: | |
| 6 | 2752653 | 1 | USA Built Machines | |
| 6 | 1001113832 | 1 | China Built Machines | |
| 7 | | Ref | Fitting, Straight Options: | |
| 7 | 2220408 | 1 | USA Built Machines (SN 0300087000 through 0300166807) | |
| 7 | 2220408 | 1 | China Built Machines (SN B300000100 through B300000699) | |
| 7 | 2220593 | 1 | USA Built Machines (SN 0300166808 through 0300171769) | |
| 7 | 2220593 | 1 | China Built Machines (SN B300000700 through B300000969) | |
| 8 | 2220628 | AR | Fitting, 90 | |
| 9 | 2220596 | 1 | Fitting, 90 | |
| 10 | 2220474 | 1 | Fitting, 90 | |
| 11 | 2220574 | 1 | Fitting, 90 | |
| 12 | 0100020 | AR | Sealant, Pipe | |
| 13 | 2220810 | 1 | Fitting, Reducer (Part of Pump Assembly) | |
| 14 | 4640744 | 1 | Fitting, Check Valve (Part of Pump Assembly) | |
| 15 | | Ref | Hose Options: | |
| 15 | 2752504 | 1 | USA Built Machines | |
| 15 | 1001113798 | NLA | China Built Machines (Use p/n 2752504) (SN B300000100 through B300000883) | |
| 15 | 2752504 | 1 | China Built Machine (SN B300000884 through B300000969) | |
| 16 | | Ref | Hose Options: | |
| 16 | 2752654 | 1 | USA Built Machines | |
| 16 | 1001113907 | 1 | China Built Machines | |
| 17 | 2220582 | AR | Fitting, Straight | |
| 19 | 2220415 | 5 | Fitting, Straight | |

SECTION 6 - HYDRAULIC

| ITEM | PART NUMBER | QTY | DESCRIPTION | REV |
|------|-------------|-----|--|-----|
| 22 | | Ref | Hose Options: | |
| 22 | 2752502 | 1 | USA Built Machines | |
| 22 | 1001113797 | 1 | China Built Machines | |
| 23 | 2220646 | 2 | Fitting, 90 (Part of Pump Assembly) | |
| 24 | | Ref | Hose Options: | |
| 24 | 2752340 | 2 | USA Built Machines | |
| 24 | 1001113899 | NLA | China Built Machines (Use p/n 2752340) (SN B300000100 through B300000883) | |
| 24 | 2752340 | 2 | China Built Machine (SN B300000884 through B300000969) | |
| 25 | 2220407 | 1 | Fitting, 90 | |
| 26 | 2220375 | 1 | Fitting, Straight | |
| 28 | | Ref | Hose Options: | |
| 28 | 2753968 | 1 | USA Built Machines | |
| 28 | 1001113896 | 1 | China Built Machines | |
| 31 | 2220921 | 1 | Fitting, Reducer | |
| 32 | 2220498 | 1 | Fitting, 45 | |
| 33 | 2220372 | AR | Fitting, Straight | |
| 34 | | Ref | Hose Options: | |
| 34 | 2752631 | 1 | USA Built Machines | |
| 34 | 1001113821 | 1 | China Built Machines | |
| 35 | | Ref | Hose Options: | |
| 35 | 2752632 | 1 | USA Built Machines | |
| 35 | 1001113822 | 1 | China Built Machines | |
| 36 | 2220373 | 6 | Fitting, Straight | |
| 37 | | Ref | Hose Options: | |
| 37 | 2752515 | 1 | USA Built Machines | |
| 37 | 1001113801 | NLA | China Built Machines (Use p/n 2752515) (SN B300000100 through B300000883) | |
| 37 | 2752515 | 1 | China Built Machine (SN B300000884 through B300000969) | |
| 39 | 2220466 | AR | Fitting, 90 | |
| 41 | | Ref | Hose Options: | |
| 41 | 2751474 | 1 | USA Built Machines | |
| 41 | 1001113893 | NLA | China Built Machines (Use p/n 2751474) (SN B300000100 through B300000883) | |
| 41 | 2751474 | 1 | China Built Machine (SN B300000884 through B300000969) | |
| 42 | 2220947 | AR | Fitting, Straight | |
| 43 | | Ref | Hose Options: | |
| 43 | 2752762 | 1 | USA Built Machines | |
| 43 | 1001113833 | NLA | China Built Machines (Use p/n 2752762) (SN B300000100 through B300000883) | |
| 43 | 2752762 | 1 | China Built Machine (SN B300000884 through B300000969) | |
| 44 | 2220873 | 2 | Fitting, Straight Nipple | |
| 45 | 2220428 | AR | Fitting, Quick Coupling | |
| 46 | 2220429 | AR | Fitting, Dust Cap | |
| 47 | 2220618 | 1 | Fitting, Reducer (USA Built Machines) (SN 0300087000 through 0300166419) | |
| 48 | | Ref | Hose Options: | |
| 48 | 2752763 | 2 | USA Built Machines | |
| 48 | 1001113834 | NLA | China Built Machines (Use p/n 2752763) (SN B300000100 through B300000883) | |
| 48 | 2752763 | 2 | China Built Machine (SN B300000884 through B300000969) | |
| 49 | 2221042 | 2 | Fitting, 90 | |
| 50 | 2220948 | 1 | Fitting, Tee | |

SECTION 6 - HYDRAULIC

| ITEM | PART NUMBER | QTY | DESCRIPTION | REV |
|------|-------------|-----|--|-----|
| 51 | 2220738 | 1 | Fitting, Tee | |
| 52 | | Ref | Hose Options: | |
| 52 | 2753957 | 1 | USA Built Machines | |
| 52 | 1001113880 | 1 | China Built Machines | |
| 53 | | Ref | Hose Options: | |
| 53 | 2752588 | 2 | USA Built Machines (SN 0300087000 through 0300137440) | |
| 53 | 2752437 | 2 | USA Built Machines (SN 0300137441 through 0300171769) | |
| 53 | 1001113807 | 2 | China Built Machines (SN B300000100 through B300000969) | |
| 54 | 2220609 | AR | Fitting, Reducer (USA Built Machines) (SN 0300087000 through 0300137441) | |
| 55 | 2220468 | 2 | Fitting, Straight (USA Built Machines) (SN 0300087000 through 0300137441) | |
| 56 | 2752981 | 3 | Hose (USA Built Machines) (SN 0300087000 through 0300137441) | |
| 57 | 2220497 | 2 | Fitting, Straight (USA Built Machines) (SN 0300087000 through 0300137441) | |
| 58 | 2220502 | 1 | Fitting, 45 (USA Built Machines) (SN 0300087000 through 0300137441) | |
| 59 | | Ref | Hose Options: | |
| 59 | 2751396 | 1 | USA Built Machines | |
| 59 | 1001113912 | 1 | China Built Machines | |
| 63 | 2220950 | 1 | Fitting, 45 | |
| 65 | 2220974 | 1 | Fitting, Long Straight | |
| 66 | | Ref | Hose Options: | |
| 66 | 2752598 | 2 | Hose 600S & 600SJ USA Built Machines | |
| 66 | 1001113813 | NLA | Hose 600S & 600SJ China Built Machines (Use p/n 2752598) (SN B300000100 through B300000883) | |
| 66 | 2752598 | 2 | Hose 600S & 600SJ China Built Machines (SN B300000884 through B300000969) | |
| 66 | 2752596 | 2 | Hose 660SJ USA Built Machines | |
| 66 | 1001113811 | NLA | Hose 660SJ China Built Machines (Use p/n 2752596) (SN B300000100 through B300000883) | |
| 66 | 2752596 | 2 | Hose 660SJ China Built Machines (SN B300000884 through B300000969) | |
| 67 | | Ref | Hose Options: | |
| 67 | 2752599 | 1 | Hose 600S & 600SJ USA Built Machines | |
| 67 | 1001113814 | NLA | Hose 600S & 600SJ China Built Machines (Use p/n 2752599) (SN B300000100 through B300000883) | |
| 67 | 2752599 | 1 | Hose 600S & 600SJ China Built Machines (SN B300000884 through B300000969) | |
| 67 | 2752597 | 1 | Hose 660SJ USA Built Machines | |
| 67 | 1001113812 | NLA | Hose 660SJ China Built Machines (Use p/n 2752597) (SN B300000100 through B300000883) | |
| 67 | 2752597 | 1 | Hose 660SJ China Built Machines (SN B300000884 through B300000969) | |
| 71 | | Ref | Hose Options: | |
| 71 | 2752633 | AR | Hose 600S & 660SJ USA Built Machines | |
| 71 | 2751868 | AR | Hose 600SJ USA Built Machines (SN 0300087000 through 0300087911) | |
| 71 | 2753048 | AR | Hose 600SJ USA Built Machines (SN 0300087912 through 0300171769) | |
| 71 | 1001113823 | NLA | Hose 600S/660SJ China Built Machines (Use p/n 2752633) (SN B300000100 through B300000883) | |
| 71 | 2752633 | AR | Hose 600S/660SJ China Built Machines (SN B300000884 | |

SECTION 6 - HYDRAULIC

| ITEM | PART NUMBER | QTY | DESCRIPTION | REV |
|------|--------------|-----|--|-----|
| | | | through B30000969) | |
| 72 | 2220472 | AR | Fitting, 90 | |
| 75 | | Ref | Hose Options: | |
| 75 | Not Required | 0 | Hose 600S | |
| 75 | 2753048 | 2 | Hose 600SJ USA Built Machines | |
| 75 | 2752633 | 2 | Hose 660SJ USA Built Machines | |
| 75 | 1001113823 | NLA | Hose 660SJ China Built Machines (Use p/n 2752633) (SN B30000100 through B30000883) | |
| 75 | 2752633 | 2 | Hose 660SJ China Built Machines (SN B30000884 through B30000969) | |
| 76 | 2220473 | AR | Fitting, 90 | |
| 77 | 2220479 | 1 | Fitting, Straight (Part of Pump Assembly) | |
| 78 | | Ref | Hose Options: | |
| 78 | 2752753 | 1 | USA Built Machines | |
| 78 | 1001113906 | NLA | China Built Machines (Use p/n 2752753) (SN B30000100 through B30000883) | |
| 78 | 2752753 | 1 | China Built Machines (SN B30000884 through B30000969) | |
| 80 | 2220603 | 4 | Fitting, Straight | |
| 81 | | Ref | Hose Options: | |
| 81 | 2752783 | 1 | USA Built Machines | |
| 81 | 1001113911 | 1 | China Built Machines | |
| 82 | | Ref | Hose Options: | |
| 82 | 2752591 | 2 | USA Built Machines | |
| 82 | 1001113808 | 2 | China Built Machines | |
| 83 | | Ref | Hose Options: | |
| 83 | 2752643 | 1 | USA Built Machines | |
| 83 | 1001113826 | 1 | China Built Machines | |
| 84 | | Ref | Hose Options: | |
| 84 | 2753325 | 1 | USA Built Machines | |
| 84 | 1001113855 | 1 | China Built Machines | |
| 85 | 2220409 | 1 | Fitting, 45 | |
| 88 | 0100011 | AR | Compound, Locking | |
| 89 | 0100038 | AR | Loctite, 3 Primer | |
| 90 | 2180724 | 1 | Fitting, 90 (600SJ & 660SJ Only) | |
| 91 | 2180380 | 1 | Fitting, Pipe Plug (600SJ & 660SJ Only) | |
| 92 | 1703533 | 2 | Decal - Hose Tags (Not Shown) | |
| 93 | | Ref | Hose Options: | |
| 93 | 2752633 | 1 | Hose 600S & 660SJ USA Built Machines | |
| 93 | 1001113823 | NLA | Hose 600S & 660SJ China Built Machines (Use p/n 2752633) (SN B30000100 through B30000883) | |
| 93 | 2752633 | 1 | Hose 600S & 660SJ China Built Machines (SN B30000884 through B30000969) | |
| 93 | 2752633 | 1 | Hose 600SJ USA Built Machines (SN 0300087000 through 0300087911) | |
| 93 | 2753048 | 1 | Hose 600SJ USA Built Machines (SN 0300087912 through 0300171769) | |
| 94 | 4240018 | 7 | Tie-Strap (Not Shown) | |
| 95 | 2220873 | 1 | Fitting, Nipple | |
| 99 | 2220893 | AR | Fitting, Adapter | |

SECTION 6 - HYDRAULIC

FIGURE 6-5. HYDRAULIC DIAGRAM LIST

| ITEM | PART NUMBER | QTY | DESCRIPTION | REV |
|------|-------------|-----|---|-----|
| | | Ref | Note: Information on diagrams not shown is available from JLG Service/Parts Departments. | |
| | | Ref | Drive and Steer Hydraulic Diagrams: | |
| | 1283363 | Ref | USA Built Machines: | |
| | 2792616 | Ref | 2WD/2WS Machines | |
| | 2792617 | Ref | 2WD/4WS Machines | |
| | 2792607 | Ref | 4WD/2WS Machines | |
| | 2792615 | Ref | 4WD/4WS Machines | |
| | 2792749 | Ref | 4WD/2WS Machines (With Arctic Package) | |
| | | Ref | China Built Machines: | |
| | 1001114074 | Ref | 4WD/2WS Machines | |
| | 1001114070 | Ref | 4WD/2WS Machines | |
| | 2792749 | Ref | 4WD/2WS Machines (With Arctic Package) | |
| | 1283363 | Ref | 4WD/2WS Machines (With Arctic Package) | |
| | 2792615 | Ref | 4WD/4WS Machines (SN B300000100 through B300000630) | |
| | 1283363 | Ref | 4WD/4WS Machines (SN B300000100 through B300000630) | |
| | 1001138035 | Ref | 4WD/4WS Machines (SN B300000631 through B300000969) | |
| | 1001114070 | Ref | 4WD/4WS Machines (SN B300000631 through B300000969) | |
| | | Ref | Axle Lockout Hydraulic Diagram | |
| | 2792612 | Ref | USA Built Machines: | |
| | 1283363 | Ref | USA Built Machines: | |
| | 1001114075 | Ref | China Built Machines: | |
| | 1001114070 | Ref | China Built Machines: | |
| | | Ref | Loop Flushing Hydraulic Diagram | |
| | 2792660 | Ref | Loop Flushing Hydraulic Diagram 2WD | |
| | 2792659 | Ref | Loop Flushing Hydraulic Diagram 4WD | |
| | | Ref | Oil Cooler Hydraulic Diagrams | |
| | | Ref | Deutz Engine Machines | |
| | 0256762 | Ref | USA Built Machines (SN 0300087000 through 0300137649) | |
| | 1282665 | Ref | USA Built Machines (SN 0300087000 through 0300137649) | |
| | 1001108701 | Ref | USA Built Machines (SN 0300137650 through 0300171769) | |
| | 0272041 | Ref | Ford/GM Engine Machines | |
| | 1283309 | Ref | Ford/GM Engine Machines | |
| | | Ref | Standard Hydraulic Diagrams: | |
| | 1283363 | Ref | USA Built Machines: | |
| | 2792608 | Ref | Standard Hydraulic Diagrams 600S | |
| | 2792614 | Ref | Standard Hydraulic Diagrams 600SJ | |
| | 2792613 | Ref | Standard Hydraulic Diagrams 660SJ | |
| | 1001114070 | Ref | China Built Machines: | |
| | 1001114072 | Ref | Standard Hydraulic Diagrams 600S | |
| | 1001114073 | Ref | Standard Hydraulic Diagrams 660SJ | |
| | 2792605 | Ref | Standard Hydraulic Schematic | |
| | | Ref | Tool Hydraulic Diagrams: | |
| | 2792325 | Ref | Tool Hydraulic Diagrams 600S | |
| | 2792326 | Ref | Tool Hydraulic Diagrams 600SJ | |
| | 2792327 | Ref | Tool Hydraulic Diagrams 660SJ | |
| | 2792630 | Ref | Tow Hydraulic Diagram | |

SECTION 7 - ELECTRICAL

SECTION 7 - ELECTRICAL

FIGURE 7-1. ELECTRICAL DIAGRAM LIST

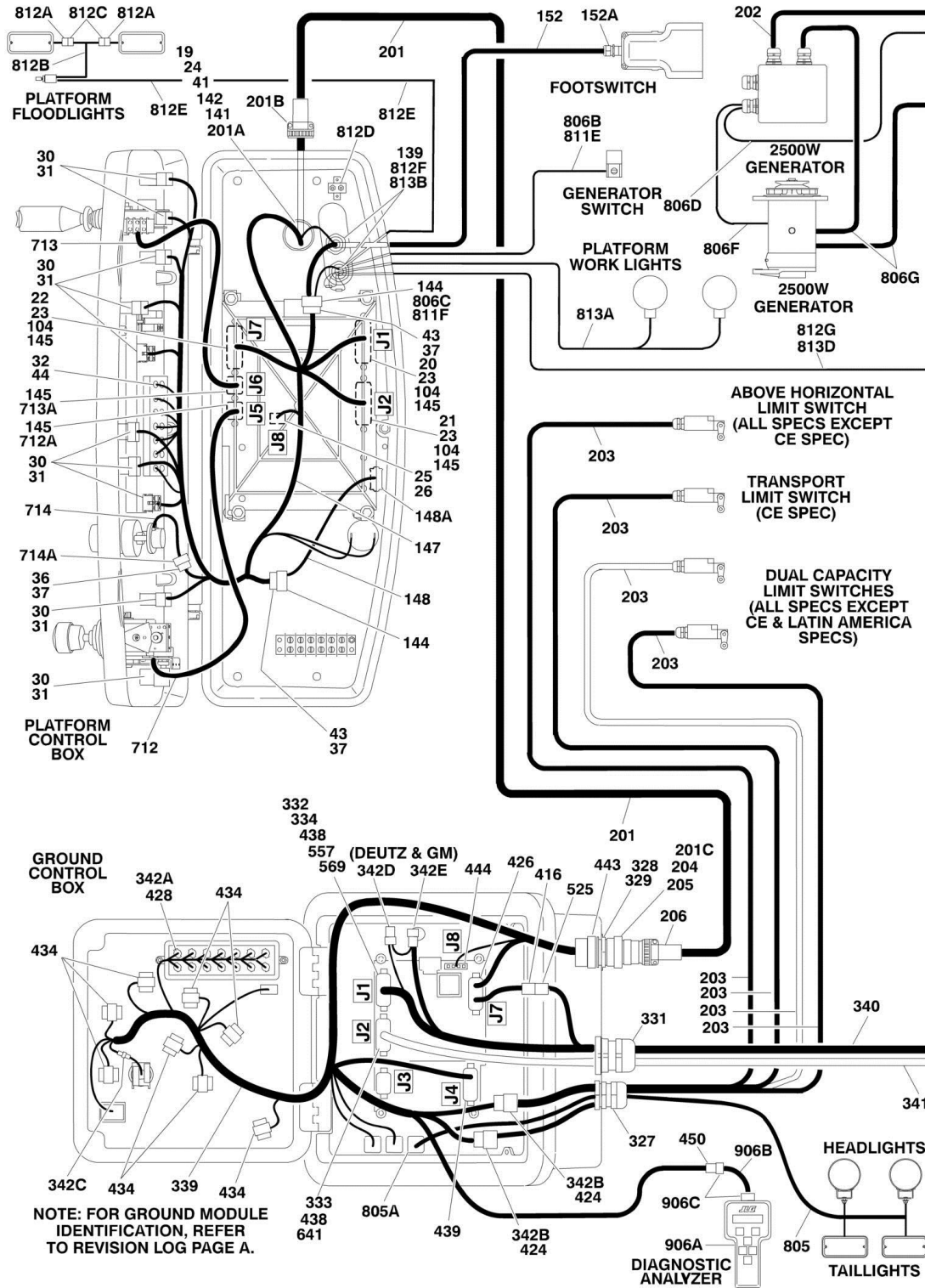
| ITEM | PART NUMBER | QTY | DESCRIPTION | REV |
|------|-------------|-----|---|-----|
| | | Ref | Note: Diagrams are available from the JLG Service Department. See Service and Maintenance Manual for Schematics. | |
| | 4933217 | Ref | ENGINE BLOCK HEATER ELECTRICAL DIAGRAM (FORD ENGINES) | |
| | 1282571 | Ref | ENGINE BLOCK HEATER ELECTRICAL DIAGRAM (FORD ENGINES) | |
| | | Ref | COLD WEATHER PACKAGE ELECTRICAL DIAGRAM | |
| | 0273575 | Ref | Caterpillar Engines | |
| | 1282571 | Ref | Caterpillar Engines | |
| | 0271912 | Ref | Deutz Engines | |
| | 1283264 | Ref | Deutz Engines | |
| | 0275262 | Ref | GM Engines | |
| | 1282571 | Ref | GM Engines | |
| | | Ref | GENERATOR ELECTRICAL DIAGRAMS | |
| | | Ref | 2500W Generator Options: | |
| | 4933300 | Ref | Caterpillar and Deutz Engine Machines with 60Hz Generators (USA Built Machines) (SN 0300087000 through 0300139049) | |
| | 1001112588 | Ref | Caterpillar and Deutz Engine Machines with 60Hz Generators (USA Built Machines) (SN 0300139050 through 0300171769) | |
| | 1001112588 | Ref | Caterpillar and Deutz Engine Machines with 60Hz Generators (China Built Machines) (SN B300000100 to Present) | |
| | 4933300 | Ref | Caterpillar and Deutz Engine Machines with 50Hz Generators except CE UK and CE Germany Specs (USA Built Machines) (SN 0300087000 through 0300133733) | |
| | 4933287 | Ref | CE UK Spec (USA Built Machines) (SN 0300087000 through 0300133733) | |
| | 4933284 | Ref | CE Germany Spec (USA Built Machines) (SN 0300087000 through 0300133733) | |
| | 1001100027 | Ref | Caterpillar and Deutz Engine Machines with 50Hz Generators (USA Built Machines) (SN 0300133734 through 0300139049) | |
| | 1001112743 | Ref | Caterpillar and Deutz Engine Machines with 50Hz Generators (USA Built Machines) (SN 0300139050 through 0300171769) | |
| | 1001112743 | Ref | Caterpillar and Deutz Engine Machines with 50Hz Generators (China Built Machines) (SN B300000100 through 0300171769) | |
| | 4933300 | Ref | Ford Engines | |
| | 4933350 | Ref | GM Engines | |
| | | Ref | 4000W Generator Options: | |
| | 1001153025 | Ref | ANSI Export & Japanese Specs | |
| | 1001159648 | Ref | Australian Spec | |
| | | Ref | 7500W Generator Options: | |
| | 4933264 | Ref | Caterpillar and Deutz Engines (USA Built Machines) (SN 0300087000 through 0300139049) | |
| | 1001112586 | Ref | Caterpillar and Deutz Engines (USA Built Machines) (SN 0300139050 through 0300171769) | |
| | 1001112586 | Ref | Caterpillar and Deutz Engines (China Built Machines) (SN B300000100 to Present) | |

SECTION 7 - ELECTRICAL

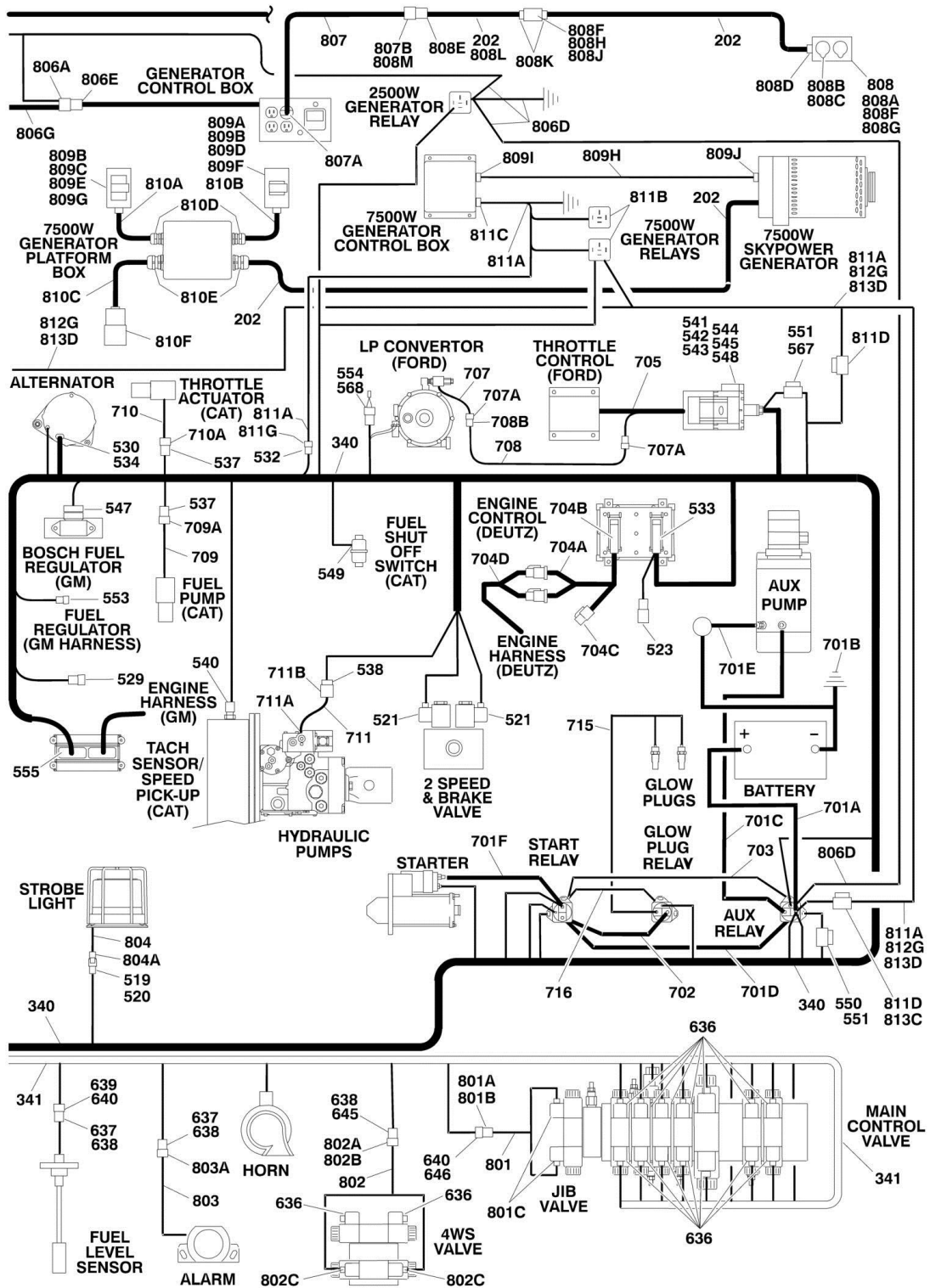
| ITEM | PART NUMBER | QTY | DESCRIPTION | REV |
|------|-------------|-----|---|-----|
| | 4933283 | Ref | Ford Engines | |
| | 4933349 | Ref | GM Engines | |
| | 4933217 | Ref | GLOW PLUG DIAGRAM | |
| | | Ref | LIGHTS ELECTRICAL DIAGRAM | |
| | 4933219 | Ref | Headlight/Taillight and Chassis Illumination Lights | |
| | 4933313 | Ref | Platform Floodlights | |
| | 0273491 | Ref | Platform Worklights | |
| | See Note | Ref | PLATFORM ELECTRICAL DIAGRAM (Note: Not Available for Purchase) | |
| | 4933218 | Ref | PLATFORM SOFT TOUCH SYSTEM ELECTRICAL DIAGRAM | |
| | | Ref | STANDARD ELECTRICAL DIAGRAMS | |
| | | Ref | Note: For Ground Module Identification, refer to Revision Log page A. | |
| | | Ref | Note: All units "Without UGM" are USA Built Machines. | |
| | | Ref | Without UGM: | |
| | 4933328 | Ref | Caterpillar Engine Machines (SN 0300087000 through 0300099059) | |
| | 4933383 | Ref | Caterpillar Engine Machines (SN 0300099060 through 0300171769) | |
| | 4933318 | Ref | Deutz Engine Machines (SN 0300087000 through 0300099059) | |
| | 4933366 | Ref | Deutz Engine Machines (SN 0300099060 through 0300171769) | |
| | 4933327 | Ref | Ford Engine Machines | |
| | 4933355 | Ref | GM Engine Machines (SN 0300087000 through 0300099059) | |
| | 4933365 | Ref | GM Engine Machines (SN 0300099060 through 0300171769) | |
| | | Ref | With UGM: | |
| | 1001110365 | Ref | Caterpillar Engine Machines | |
| | 1001110364 | Ref | Deutz Engine Machines | |
| | 1001110359 | Ref | GM Engine Machines | |
| | | Ref | STANDARD ELECTRICAL SCHEMATIC | |
| | | Ref | USA Built Machines: | |
| | 1870132 | Ref | Caterpillar Engine Machines without UGM (SN 0300087000 through 0300099059) | |
| | 1870215 | Ref | Caterpillar Engine Machines without UGM (SN 0300099060 through 0300171769) | |
| | 1001110345 | Ref | Caterpillar Engine Machines with UGM | |
| | 1870191 | Ref | Deutz Engine Machines without UGM (SN 0300087000 through 0300099059) | |
| | 1870215 | Ref | Deutz Engine Machines without UGM (SN 0300099060 through 0300171769) | |
| | 1001110345 | Ref | Deutz Engine Machines with UGM | |
| | 1870132 | Ref | Ford Engine Machines | |
| | 1870191 | Ref | GM Engine Machines without UGM (SN 0300087000 through 0300099059) | |
| | 1870215 | Ref | GM Engine Machines without UGM (SN 0300099060 through 0300171769) | |
| | 1001110345 | Ref | GM Engine Machines with UGM | |
| | 1001131992 | Ref | GM Engine Schematic (Engine Schematic Only. p/n 1001110345 is for schematic for complete machine) | |
| | 1001110345 | Ref | China Built Machines | |
| | 0270805 | Ref | STROBE LIGHT ELECTRICAL DIAGRAM | |
| | 1283235 | Ref | STROBE LIGHT ELECTRICAL DIAGRAM | |

SECTION 7 - ELECTRICAL

FIGURE 7-2. HARNESS COMPONENTS INSTALLATION (WITHOUT UGM)



SECTION 7 - ELECTRICAL



SECTION 7 - ELECTRICAL

FIGURE 7-2. HARNESS COMPONENTS INSTALLATION (WITHOUT UGM)

| ITEM | PART NUMBER | QTY | DESCRIPTION | REV |
|------|-------------|-----------|--|-----|
| | | Ref | Note: For Ground Module Identification, Refer to Revision Log Page A | |
| | | Ref | Note: All Units "Without UGM" are USA Built Machines. | |
| | | Ref | PLATFORM BOX HARNESS ASSEMBLY | |
| | 4922639 | Ref | Platform Box Harness Assembly (SN 0300087000 through 0300136518) | 8-I |
| | 1001107753 | Ref | Platform Box Harness Assembly (SN 0300136519 through 0300171769) | C |
| 19 | 4460866 | 1 | Connector - 19 Position | |
| 20 | 4460874 | 1 | Connector - 35 Position (Natural) | |
| 21 | 4460875 | 1 | Connector - 35 Position (Gray) | |
| 22 | 4460873 | 1 | Connector - 35 Position (Black) | |
| 23 | 4460871 | 79 | Socket, Female | |
| 24 | 4460464 | 7 | Pin, Male (16 Gauge) | |
| 25 | 4460879 | 1 | Terminal, Housing 2 Position | |
| 26 | 4460887 | 2 | Terminal, (12 Gauge) | |
| 30 | 4460418 | 9 | Connector - 6 Position | |
| 31 | 4460419 | 27 | Terminal, Female | |
| 32 | 4120035 | 13 | Base, Light | |
| 36 | 4460225 | 1 | Plug, Male- 6 Position | |
| 37 | 4460227 | 6 | Pin, Male | |
| 41 | 4460508 | 3 | Pin, Male (12 Gauge) | |
| 43 | 4460434 | 2 | Connector - 15 Position | |
| 44 | 2920129 | 13 | Lamp, Indicator | |
| | | Ref | PLATFORM BOX ASSEMBLY COMPONENTS | |
| 104 | 0100048 | AR | Grease, Dielectric | |
| 139 | 4460428 | 2 | Connector, Strain Relief | |
| 141 | 4460470 | 1 | Nut, Terminal | |
| 142 | 4460471 | 1 | Lockwasher, Terminal | |
| 144 | 4460708 | 2 | Connector, Female - 15 Position | |
| 145 | 4460905 | 5 | Seal, Plug | |
| 147 | | Ref | Harness, Platform Console Box Options (Includes Items 1-44): | |
| 147 | 4922639 | 1 | Harness, Platform Console Box (SN 0300087000 through 0300136518) | |
| 147 | 1001107753 | 1 | Harness, Platform Console Box (SN 0300136519 through 0300171769) | |
| 148 | 4922666 | 1 | Harness, Analyzer Cable | 2-B |
| 148 | 4460226 | 4 | Socket, Female (Not Shown - Located at J2) | |
| 148A | 4460761 | 1 | Connector, Female - 4 Position | |
| 148A | 4460227 | 4 | Pin, Male | |
| 152 | See Note | NSS | Footswitch Harness (Note: Not Available for Purchase) | |
| 152 | 1060918 | 8 ft/2.4m | Cable, Electrical - 18/3 | |
| 152A | 4460071 | 1 | Connector, Strain Relief | |
| | | Ref | BOOM CABLES INSTALLATION | |
| | | Ref | Note: See SPECIAL OPTIONS Section for Machines with 4000W generator. | |
| | | Ref | Boom Cables Installation 600S: | |
| | 0270733 | Ref | ANSI, ANSI Export, Brazilian, CSA, Japanese Specs without 7500W Generator | 5 |
| | 0270734 | Ref | CE and Latin American Specs without 7500W Generator | 6 |

SECTION 7 - ELECTRICAL

| ITEM | PART NUMBER | QTY | DESCRIPTION | REV |
|------|-------------|----------------|--|-----|
| | 0272483 | Ref | ANSI, ANSI Export, Australian, CSA Specs with 7500W Generator | 3 |
| | 0272484 | Ref | Brazilian, CE, Japanese, Latin American Specs with 7500W Generator | 3 |
| | 0275924 | Ref | ANSI, ANSI Export, CSA Specs without 7500W Generator and Arctic Package | 2 |
| | 0275925 | Ref | ANSI, ANSI Export, CSA Specs with 7500W Generator and Arctic Package | 3 |
| | | Ref | Boom Cables Installation 600SJ: | |
| | 0270738 | Ref | ANSI, ANSI Export, Australian, Brazilian, CSA, Japanese, Latin American Specs without 7500W Generator | 3 |
| | 0270737 | Ref | CE Specs without 7500W Generator | 3 |
| | 0272488 | Ref | ANSI, ANSI Export, Australian, CSA, Latin American Specs with 7500W Generator | 2 |
| | 0272487 | Ref | Brazilian, CE, Japanese Specs with 7500W Generator | 2 |
| | 0275926 | Ref | ANSI, ANSI Export, CSA Specs without 7500W Generator and Arctic Package | 1 |
| | 0275927 | Ref | ANSI, ANSI Export, CSA Specs with 7500W Generator and Arctic Package | 2 |
| | | Ref | Boom Cables Installation 660SJ: | 3 |
| | 0270736 | Ref | ANSI, ANSI Export, Australian, Brazilian, CSA, Japanese, Latin American Specs without 7500W Generator | 3 |
| | 0270735 | Ref | CE Specs without 7500W Generator | 3 |
| | 0272485 | Ref | ANSI, ANSI Export, Australian, CSA, Latin American Specs with 7500W Generator | 2 |
| | 0272486 | Ref | Brazilian, CE, Japanese Specs with 7500W Generator | 2 |
| | 0275339 | Ref | ANSI, ANSI Export, CSA Specs without 7500W Generator and Arctic Package | 1 |
| | 0275831 | Ref | ANSI, ANSI Export, CSA Specs with 7500W Generator and Arctic Package | 2 |
| 201 | | Ref | Harness, Main Boom Options: | |
| 201 | | Ref | Harness, Main Boom 600S: | |
| 201 | 4922468 | 1 | ANSI, ANSI Export, CE, CSA, Australian, Brazilian, Japanese, Latin American Spec | |
| 201 | 4923657 | 1 | ANSI, ANSI Export, CSA Spec (With Arctic Package) | |
| 201 | | Ref | Harness, Main Boom 600SJ: | |
| 201 | 4922466 | 1 | ANSI, ANSI Export, Australian, CE, CSA, Brazilian, Japanese, Latin American Spec | |
| 201 | 4923653 | 1 | ANSI, ANSI Export, CSA Spec (With Arctic Package) | |
| 201 | | Ref | Harness, Main Boom 660SJ: | |
| 201 | 4922467 | 1 | ANSI, ANSI Export, Australian, CE, CSA, Brazilian, Japanese, Latin American Spec | |
| 201 | 4923509 | 1 | ANSI, ANSI Export, CSA Spec (With Arctic Package) | |
| 201 | 1060896 | AR | Cable Options: | |
| 201 | 1060896 | 67 ft /20.4m | Cable 600S | |
| 201 | 1060896 | 69 ft/21m | Cable 600SJ | |
| 201 | 1060896 | 75 ft/22.8 | Cable 660SJ | |
| 201 | 4923462 | AR | Cable Options (With Arctic Package): | |
| 201 | 4923462 | 67 ft /20.4m | Cable 600S | |
| | 4923462 | 69.5 ft /21.8m | Cable 600SJ | |
| 201 | 4923462 | 75 ft /22.8m | Cable 660SJ | |

SECTION 7 - ELECTRICAL

| ITEM | PART NUMBER | QTY | DESCRIPTION | REV |
|------|-------------|-----|--|-----|
| 201A | 4460465 | 11 | Socket, Female - #16 | |
| 201A | 4460865 | 1 | Connector - 19 Position | |
| 201A | 4460509 | 4 | Socket, Female - #12 | |
| 201A | 4460466 | 4 | Seal, Plug | |
| 201B | 4460473 | 1 | Clamp, Cable | |
| 201C | 4460465 | 11 | Socket, Female - #16 | |
| 201C | 4460509 | 4 | Socket, Female - #12 | |
| 202 | | Ref | Harness, Generator Options: (Does not include plug ends) | |
| 202 | | Ref | Harness, Generator 600S without 7500W Generator | |
| 202 | 4922889 | AR | ANSI, ANSI Export, Australian, Brazilian, CSA, Japanese Specs (69.5ft/21.8m of 12/3 ANSI Spec Cable p/n 1060494) | |
| 202 | 4922884 | AR | CE and Latin American Specs (69.5ft/21.8m of 12/3 CE Spec Cable p/n 1060461) | |
| 202 | 4923660 | AR | ANSI, ANSI Export, CSA Specs (69.5ft/21.8m of 12/3 Cable p/n 4923463) (With Arctic Package) | |
| 202 | 4922792 | AR | 600S with 7500W Generator (83ft/25.3m of 8/5 Cable p/n 1060945) (For Arctic Machines p/n was 4923658) | |
| 202 | | Ref | 600SJ without 7500W Generator | |
| 202 | 4922887 | AR | ANSI, ANSI Export, Australian, Brazilian, CSA, Japanese, Latin American Specs (71ft/21.6m of 12/3 ANSI Spec Cable p/n 1060494) | |
| 202 | 4922885 | AR | CE Specs (71ft/21.6m of 12/3 CE Spec Cable p/n 1060461) | |
| 202 | 4923656 | AR | ANSI, ANSI Export, CSA Specs (71ft/21.6m of 12/3 Cable p/n 4923463) (With Arctic Package) | |
| 202 | 4922790 | AR | Harness, Generator 600SJ with 7500W Generator (85ft/25.9m of 8/5 Cable p/n 1060945) (For Arctic Machines, p/n was 4923654) | |
| 202 | | Ref | Harness, Generator 660SJ without 7500W Generator | |
| 202 | 4922888 | AR | ANSI, ANSI Export, Australian, Brazilian, CSA, Japanese, Latin American Specs (77ft/23.5m of 12/3 ANSI Spec Cable p/n 1060494) | |
| 202 | 4922886 | AR | CE Specs (77ft/23.5m of 12/3 CE Spec Cable p/n 1060461) | |
| 202 | 4923510 | AR | ANSI, ANSI Export, CSA Specs (77ft/23.5m of 12/3 Cable p/n 4923463) (With Arctic Package) | |
| 202 | 4922791 | AR | Harness, Generator 660SJ with 7500W Generator (90.5ft/27.6m of 8/5 Cable p/n 1060945) (For Arctic Machines p/n Was 4923630) | |
| 203 | | Ref | Cable, Limit Switch Options: | |
| 203 | | Ref | Cable, Limit Switch 600S: | |
| 203 | 1061026 | 1 | ANSI, ANSI Export, Australian, Brazilian, CE, CSA, Latin American, Japanese Specs (25.5ft/7.8m of 18/2 Cable p/n 1060680) | |
| 203 | 4923659 | 1 | ANSI, ANSI Export, CSA Spec (25.5ft/7.8m of 18/2 Cable p/n 4923466) (With Arctic Package) | |
| 203 | 1061027 | 2 | ANSI, ANSI Export, Australian, CSA, Brazilian, Japanese Specs (13.5ft/4.2m of 18/2 Cable p/n 1060680) | |
| 203 | | Ref | Cable, Limit Switch 600SJ: | |
| 203 | 1061026 | 1 | Brazilian, CE, Japanese Specs (25.5ft/7.8m of 18/2 Cable p/n 1060680) | |
| 203 | 1061027 | 1 | ANSI, ANSI Export, Australian, Brazilian, CSA, Japanese, Latin American Specs (13.5ft/4.2m of 18/2 Cable p/n 1060680) | |
| 203 | 4923655 | 1 | ANSI, ANSI Export, CSA Spec (13.5ft/4.2m of 18/2 Cable p/n 4923466) (With Arctic Package) | |
| 203 | | Ref | Cable, Limit Switch 660SJ: | |
| 203 | 1061027 | 1 | ANSI, ANSI Export, Australian, Brazilian, CSA, Latin | |

SECTION 7 - ELECTRICAL

| ITEM | PART NUMBER | QTY | DESCRIPTION | REV |
|------|-------------|------------|---|-----|
| 203 | 1061026 | 1 | American, Japanese Specs (13.5ft/4.2m of 18/2 Cable p/n 1060680) | |
| 203 | 4923511 | 1 | Brazilian, CE, Japanese Specs (25.5ft/7.8m of 18/2 Cable p/n 1060680) | |
| 204 | 4460865 | 1 | ANSI, ANSI Export, CSA Spec (13.5ft/4.2m of 18/2 Cable p/n 4923466) (With Arctic Package) | |
| 205 | 4460466 | 4 | Connector - 19 Position | |
| 206 | 4460473 | 1 | Seal, Plug | |
| 207 | 4100026 | AR | Clamp, Cable | |
| 207 | 4100026 | 10 ft/3.0m | Sleeve, Nylon (Required on 600S Only - Not Shown) | |
| 207 | 4100026 | 4 ft/1.2m | Sleeve, Nylon (SN 0300087000 through 0300137882) | |
| | | Ref | Sleeve, Nylon (SN 0300137883 through 0300171769) | |
| | | | GROUND CONTROL BOX COMPONENTS | |
| 302 | 0100048 | AR | Grease, Dielectric (Not Shown) | |
| 327 | 4460426 | 2 | Connector, Strain Relief | |
| 328 | 4460470 | 1 | Nut, Terminal | |
| 329 | 4460471 | 1 | Lockwasher, Terminal | |
| 331 | 4460526 | 1 | Connector, Strain Relief | |
| 332 | 4460874 | 1 | Connector (Natural) | |
| 333 | 4460875 | 1 | Connector (Gray) | |
| 334 | 4460905 | 4 | Connector, Amp Seal Plug | |
| 339 | | Ref | Ground Control Box Harness Assembly Options (See Items 401-453 for Breakdown): | |
| 339 | 4923229 | 1 | Caterpillar and Ford Engine (SN 0300087000 through 0300099059) | |
| 339 | 4923213 | 1 | Deutz and GM Engine (SN 0300087000 through 0300099059) | |
| 339 | 4923577 | 1 | Caterpillar, Deutz and GM Engine (SN 0300099060 through 0300137194) | |
| 339 | 1001108126 | 1 | Caterpillar, Deutz and GM Engine (SN 0300137195 through 0300171769) | |
| 340 | | Ref | Engine Harness Assembly (See 501 to 569 for Breakdown): | |
| 340 | 4923227 | 1 | Caterpillar Engine Machines (SN 0300087000 through 0300099059) | |
| 340 | 4923576 | 1 | Caterpillar Engine Machines (SN 0300099060 through 0300171769) | |
| 340 | 3990001 | 1 | Diode (SN 0300090378 through 0300171769) | |
| 340 | 4923212 | 1 | Deutz Engine Machines | |
| 340 | 4923226 | 1 | Ford Engine Machines | |
| 340 | 4923492 | 1 | GM Engine Machines | |
| 341 | 4923206 | 1 | Valve Harness Assembly (See 601 to 646 for Breakdown): | 2-B |
| 342 | | Ref | Ground Control Box Wiring Diagram (Not Shown) | |
| 342 | 4933328 | 1 | Caterpillar Engine (SN 0300087000 through 0300099059) | 3-C |
| 342 | 4933383 | 1 | Caterpillar Engine (SN 0300099060 through 0300171769) | A |
| 342 | 4933318 | 1 | Deutz Engine (SN 0300087000 through 0300099059) | F |
| 342 | 4933366 | 1 | Deutz Engine (SN 0300099060 through 0300171769) | A |
| 342 | 4933327 | 1 | Ford Engine | 2-B |
| 342 | 4933355 | 1 | GM Engine (SN 0300087000 through 0300099059) | D |
| 342 | 4933365 | 1 | GM Engine (SN 0300099060 through 0300171769) | A |
| 342A | 2920129 | AR | Bulb, Light | |
| 342B | 4460708 | AR | Receptacle, Female - 15 Position | |
| 342B | 4460226 | AR | Socket, Female | |
| 342B | 4922637 | 1 | Harness, Jumper (Not Shown) | |
| 342B | 4922636 | 1 | Harness, Jumper (Not Shown) (SN 0300099060 through 0300171769) | |

SECTION 7 - ELECTRICAL

| ITEM | PART NUMBER | QTY | DESCRIPTION | REV |
|------|-------------|-----|---|-----|
| 342C | 2400065 | 1 | Fuse, 30Amp | |
| 342C | 2400066 | 1 | Fuse, Holder with Cover | |
| 342D | 4460894 | 1 | Plug, Male - 6 Position (Deutz/GM Engines Only) | |
| 342D | 4460892 | 1 | Receptacle, Female - 6 Position (Deutz/GM Engines Only) | |
| 342E | 4460539 | 1 | Plug, Male - 3 Position (Caterpillar Only) | |
| 342E | 2902443 | 1 | Receptacle Kit (Deutz Only) | |
| 342E | 4461071 | 8 | Socket, Female | |
| 342E | 4461072 | 1 | Receptacle | |
| 342E | 4461073 | 1 | Cap, Dust | |
| 342E | 4461074 | 1 | Shell, Black | |
| 342F | 4923591 | 1 | Harness, Jumper (Not Shown - Located on Module J7-6 to J7-17 Caterpillar Only) (SN 0300099060 through 0300171769) | |
| | | Ref | GROUND CONTROL HARNESS ASSEMBLY | |
| | 4923229 | Ref | Caterpillar and Ford Engines (SN 0300087000 through 0300099059) | 2-B |
| | 4923213 | Ref | Deutz and GM Engines (SN 0300087000 through 0300099059) | E |
| | 4923577 | Ref | Caterpillar, Deutz and GM Engines (SN 0300099060 through 0300137194) | D |
| | 1001108126 | Ref | Caterpillar, Deutz and GM Engines (SN 0300137195 through 0300171769) | C |
| 416 | 4460536 | 1 | Connector, Female - 3 Position (Caterpillar/Deutz/GM Engines Only) | |
| 416 | 4460943 | 3 | Pin, Male (Caterpillar/Deutz/GM Engines Only) | |
| 421 | 3990010 | 2 | Diode - 6Amp (Not Shown) | |
| 424 | 4460434 | AR | Plug, Male 15 - Position Options: | |
| 424 | 4460434 | 1 | Ford Engines | |
| 424 | 4460434 | 2 | Caterpillar/Deutz/GM Engines | |
| 424 | 4460227 | AR | Pin | |
| 426 | 4460873 | 1 | Plug, Male - 35 Position (Black) | |
| 426 | 4460871 | AR | Socket, Female | |
| 426 | 4460905 | AR | Plug, Seal | |
| 428 | 4120035 | AR | Base, Light | |
| 428 | 4460634 | AR | Terminal (16 Gauge) | |
| 428 | 4460635 | AR | Terminal (12 Gauge) | |
| 434 | 4460418 | AR | Connector, Female - 6 Position | |
| 434 | 4460419 | AR | Socket, Female | |
| 438 | 4460871 | 9 | Socket, Female | |
| 439 | 4460876 | 1 | Plug, Male - 35 Position (Blue) | |
| 439 | 4460871 | AR | Socket, Female | |
| 439 | 4460905 | AR | Plug, Seal | |
| 443 | 4460866 | 1 | Connector - 19 Position | |
| 443 | 4460464 | 10 | Pin, Male (16 Gauge) | |
| 443 | 4460508 | 3 | Pin, Male (12 Gauge) | |
| 444 | 4460878 | 1 | Housing, Terminal - 4 Position | |
| 444 | 4460887 | 3 | Terminal (12 Gauge) | |
| 450 | 4460761 | 1 | Connector, Female 4 - Position | |
| 450 | 4460227 | 4 | Pin, Male | |
| | | Ref | ENGINE HARNESS ASSEMBLIES | |
| | 4923227 | Ref | Caterpillar Engine Machines (SN 0300087000 through 0300099059) | 3-C |
| | 4923576 | Ref | Caterpillar Engine Machines (SN 0300099060 through 0300171769) | D |
| | 4923212 | Ref | Deutz Engine Machines | F |

SECTION 7 - ELECTRICAL

| ITEM | PART NUMBER | QTY | DESCRIPTION | REV |
|------|-------------|-----|--|-----|
| | 4923226 | Ref | Ford Engine Machines | 3-C |
| | 4923492 | Ref | GM Engine Machines | D |
| 519 | 4460424 | 1 | Receptacle, Female - 2 Position | |
| 520 | 4460268 | 2 | Socket, Female | |
| 521 | 4460880 | 2 | DIN Connector without Diode | |
| 522 | 4460891 | 2 | Connector, Male - 2 Position (Caterpillar Engine Only) | |
| 522 | 4460465 | 7 | Socket, Female | |
| 523 | 4461070 | 1 | Receptacle, Female with Resistor (3 Position) (Deutz Engines Only) | |
| 523 | 4461095 | 1 | Plug, Male - 3 Position (Deutz Engines Only) | |
| 523 | 4460944 | 3 | Socket, Female (Deutz Engines Only) | |
| 525 | 4460539 | 1 | Connector, Male - 3 Position (Deutz Engine Only) | |
| 525 | 4460944 | 3 | Socket, Female (Deutz Engine Only) | |
| 530 | 4460582 | 3 | Terminal (Ford Engine Only) | |
| 530 | 4460580 | 1 | Lock, Terminal (Ford Engine Only) | |
| 530 | 4460579 | 1 | Housing - 3 Position (Ford Engine Only) | |
| 532 | 4461157 | 1 | Receptacle, Female - 2 Position (GM Engine Only) | |
| 532 | 4460979 | 2 | Pin, Male (GM Engine Only) | |
| 532 | 4460458 | 2 | Seal, Terminal (GM Engine Only) | |
| 533 | 4461052 | 1 | Connector, Receptacle - 25 Position (Deutz Engine Only) | |
| 533 | 4461005 | 5 | Terminal (Gold) (Deutz Engine Only) | |
| 533 | 4461006 | 5 | Seal, Terminal (Deutz Engine Only) | |
| 533 | 4461060 | 2 | Terminal (Tin) (Deutz Engine Only) | |
| 533 | 4461054 | 2 | Seal, Terminal (Deutz Engine Only) | |
| 533 | 4461053 | 1 | Cover, Plug (Deutz Engine Only) | |
| 534 | 4460996 | 1 | Connector, Female - 3 Position (Caterpillar Engines Only) | |
| 534 | 4460995 | 2 | Terminal, Spade (Caterpillar Engines Only) | |
| 537 | 4460891 | 2 | Plug, Male - 2 Position (Caterpillar Engines Only) | |
| 537 | 4460465 | 4 | Socket, Female (Caterpillar Engines Only) | |
| 538 | 4460460 | 1 | Connector, Male - 4 Position | |
| 538 | 4460457 | AR | Terminal, Female | |
| 538 | 4460458 | AR | Seal, Terminal | |
| 540 | 4460539 | 1 | Plug, Male - 3 Position (Caterpillar Engines Only) | |
| 540 | 4460465 | 3 | Socket, Female (Caterpillar Engines Only) | |
| 541 | 4460713 | 1 | Connector, Housing 42 Position (Ford Engine Only) | |
| 542 | 4460725 | 1 | Connector Wedge Lock, Center (Ford Engine Only) | |
| 543 | 4460726 | 2 | Connector Wedge Lock, Side (Ford Engine Only) | |
| 544 | 4460800 | 29 | Connector, Plug (Ford Engine Only) | |
| 545 | 4460799 | 7 | Pin, Male (Ford Engine Only) | |
| 547 | 4461121 | 1 | Plug, Male - 4 Position (GM Engine Only) | |
| 547 | 4461122 | 4 | Socket, Female (GM Engine Only) | |
| 547 | 4461123 | 4 | Seal, Terminal (GM Engine Only) | |
| 548 | 4460728 | 3 | Pin, Male (Ford Engine Only) | |
| 549 | 4460792 | 1 | Plug, Male - 1 Position (Caterpillar Engines Only) | |
| 549 | 4460339 | 3 | Terminal (Caterpillar Engines Only) | |
| 553 | 4461124 | 1 | Receptacle, Female - 4 Position (GM Engine Only) | |
| 553 | 4460693 | 4 | Pin, Male (GM Engine Only) | |
| 553 | 4460608 | 4 | Seal, Terminal (GM Engine Only) | |
| 553 | 4461161 | 1 | Lock, Terminal (GM Engine Only) | |
| 554 | 4460742 | 1 | Plug, Male - 2 Position (Ford Engine Only) | |
| 554 | 4460457 | 2 | Terminal, Female (Ford Engine Only) | |
| 554 | 4460458 | 2 | Seal, Terminal (Ford Engine Only) | |

SECTION 7 - ELECTRICAL

| ITEM | PART NUMBER | QTY | DESCRIPTION | REV |
|------|--------------|-----|---|-----|
| 555 | 4461109 | 1 | Plug, Male - 16 Position (GM Engine Only) | |
| 555 | 4461111 | 7 | Pin, Male (GM Engine Only) | |
| 555 | 4461113 | AR | Seal, Terminal (GM Engine Only) | |
| 555 | 4461222 | 9 | Terminal, Cavity Plug (GM Engine Only) | |
| 557 | 4460871 | AR | Socket, Female | |
| 567 | 2400065 | 1 | Fuse, 30Amp (Ford Engine Only) | |
| 568 | 3730120 | 1 | Resistor Assembly (Ford Engine Only) | |
| 568 | 4460978 | 1 | Receptacle, Male - 2 Position | |
| 568 | 4460979 | 2 | Pin, Male | |
| 568 | 4460458 | 2 | Seal, Terminal | |
| 568 | 3730121 | 1 | Resistor | |
| 569 | 4460226 | 2 | Socket, Female (Deutz Engine Only) (SN 0300088140 through 0300171769) | |
| | 4923206 | Ref | VALVE HARNESS ASSEMBLY | 2-B |
| 636 | 4460880 | 15 | DIN Connector | |
| 637 | 4460320 | 2 | Plug, Male - 2 Position | |
| 638 | 4460267 | 5 | Pin, Male | |
| 639 | 4460424 | 1 | Receptacle, Female - 2 Position | |
| 640 | 4460268 | 5 | Socket, Female | |
| 641 | 4460871 | 28 | Socket, Female | |
| 645 | 4460326 | 1 | Plug, Male - 3 Position | |
| 646 | 4460445 | 1 | Receptacle, Female - 3 Position | |
| | | Ref | STANDARD HARNESS COMPONENTS | |
| 701 | | Ref | Battery Cable Kit Options: | |
| 701 | 2902296 | 1 | Caterpillar and Deutz Engines Machines | C |
| 701 | 2902297 | 1 | Ford Engine Machines | |
| 701 | 2902531 | 1 | GM Engine Machines | A |
| 701A | | Ref | Cable, Battery (Red) Options: | |
| 701A | | Ref | Caterpillar and Deutz Engines Machines Options: | |
| 701A | 100116241 | 1 | Machines with 2 Relays on Engine Tray (was p/n 7027000) | |
| 701A | 100116240 | 1 | Machines with 3 Relays on Engine Tray (was p/n 7027000) | |
| 701A | 7027006 | 1 | Ford Engine Machines | |
| 701A | 7027015 | 1 | GM Engine Machines | |
| 701B | | Ref | Cable, Battery (Black) Options: | |
| 701B | 7027004 | 1 | Caterpillar and Deutz Engines Machines | |
| 701B | 7027005 | 1 | Ford Engine Machines | |
| 701B | 7016822 | 1 | GM Engine Machines | |
| 701C | | Ref | Cable (Red) Options: | |
| 701C | 7027002 | 1 | Caterpillar, Deutz and Ford Engines Machines | |
| 701D | | Ref | Cable (Red) Options: | |
| 701D | 7027001 | 1 | Caterpillar and Deutz Engine Machines (SN 0300087000 through 0300138089) | |
| 701D | See Note | NLA | Caterpillar and Deutz Engine Machines (SN 0300138090 through 0300171769) | |
| | | Ref | Note: Incorporated in Item 701A SN 0300138090 to Present. | |
| 701D | Not Required | 0 | Ford Engines Machines | |
| 701D | 7027017 | 1 | GM Engines Machines | |
| 701E | 7027003 | 1 | Cable (Black) | |
| 701F | | Ref | Cable, Battery (Red) Options: | |
| 701F | | Ref | Caterpillar and Deutz Engines Machines | |
| 701F | 100116241 | 1 | Machines with 2 Relays on Engine Tray (was p/n 7027000) | |

SECTION 7 - ELECTRICAL

| ITEM | PART NUMBER | QTY | DESCRIPTION | REV |
|------|-------------|-----|--|-----|
| 701F | 1001116240 | 1 | Machines with 3 Relays on Engine Tray (was p/n 7027000) | |
| 701F | 7027007 | 1 | Ford Engine Machines | |
| 701F | 7016822 | 1 | GM Engine Machines | |
| 702 | 1060904 | 1 | Cable, Battery (Caterpillar Engine Machines Only) | |
| 703 | 14922737 | 1 | Harness, Relay Ground (Caterpillar Engine Machines Only) | |
| 704 | | Ref | Deutz Engine Harness Components (Deutz Engine Machines Only) | |
| 704A | 7027796 | 1 | Deutz Engine Harness | |
| 704B | See Note | NSS | Receptacle, Female - 25 Position (Note: Not Available - Purchase Complete Harness) | |
| 704C | 7027793 | 1 | Plug-In, Connector | |
| 704D | | Ref | Deutz Engine Harness Options (For other replacement parts refer to Deutz engine dealer): | |
| 704D | 7027794 | 1 | Deutz Tier I and Tier II (SN 0300087000 through 0300126188) | |
| 704D | 70001872 | 1 | Deutz Tier III (SN 0300126189 through 0300171769) | |
| 705 | 7027403 | 1 | Ford Engine Harness (For other replacement parts refer to Ford engine dealer) | |
| 706 | 7027991 | 1 | GM Engine Harness (Not Shown - For other replacement parts refer to GM industrial engine dealer) | |
| 706 | 7027989 | 1 | Connector - 10 Position (Not Shown) | |
| 706 | See Note | NSS | Box, Fuse Box (Not Shown) (Note: Part of Harness Not Available for Purchase) | |
| 706 | 70002627 | 1 | Cover, Fuse Box (Not Shown) | |
| 706 | 70001950 | 2 | Relay (Power and Fuel Pump) (Not Shown) | |
| 706 | 70001951 | 1 | Relay (Starter) (Not Shown) | |
| 706 | 70001931 | 1 | Fuse - 60Amp (Alternator) (Not Shown) | |
| 706 | See Note | NLA | Fuse - 20Amp (Not Shown) (Note: Not Available - Purchase Locally) | |
| 706 | See Note | NLA | Fuse - 15Amp (Not Shown) (Note: Not Available - Purchase Locally) | |
| 706 | See Note | NLA | Fuse - 10Amp (Not Shown) (Note: Not Available - Purchase Locally) | |
| 706 | See Note | NLA | Fuse - 5Amp (Not Shown) (Note: Not Available - Purchase Locally) | |
| 707 | See Note | NLA | Dual Fuel Shut-Off Filter Harness (Note: Not Available for Purchase) | |
| 707A | 7023679 | 1 | Electrical Connector Kit (Includes [1] 2 Position Connector, 2 Pins & 2 Seals) | |
| 708 | 4922968 | 1 | Dual Fuel Shut-Off Filter Extension Harness (Not Shown) | |
| 708A | 4460742 | 1 | Connector, Male - 2 Position | |
| 708A | 4460458 | 2 | Seal, Terminal | |
| 708B | 4460978 | 1 | Receptacle, Male - 2 Position | |
| 708B | 4460979 | 2 | Pin, Male | |
| 708B | 4460458 | 2 | Seal, Terminal | |
| 709 | See Note | NLA | Fuel Pump Harness (Caterpillar Engines Only) (Note: Not Available for Purchase) | |
| 709 | 4460897 | 1 | Receptacle, Female - 2 Position (Caterpillar Engines Only) | |
| 709 | 4460464 | 2 | Pin, Male (Caterpillar Engines Only) | |
| 710 | See Note | NLA | Throttle Actuator Harness (Caterpillar Engines Only) (Note: Not Available for Purchase) | |
| 710 | 4460897 | 1 | Receptacle, Female - 2 Position (Caterpillar Engines Only) | |
| 710 | 4460464 | 2 | Pin, Male (Caterpillar Engines Only) | |
| 711 | See Note | NSS | Pump Harness (Note: Not Available for Purchase) | |
| 711A | 7007497 | 1 | Plug (Pump End) | |

SECTION 7 - ELECTRICAL

| ITEM | PART NUMBER | QTY | DESCRIPTION | REV |
|------|-------------|-----------|--|-----|
| 711B | 7007498 | 1 | Plug (Engine Harness End) | |
| 712 | See Note | NSS | Controller Harness Assembly (Lift and Swing) (Note: Purchase Complete Controller) | |
| 712A | 7022819 | 1 | Plug, Male - 8 Position (Natural) | |
| 712A | 4460871 | 8 | Socket, Female | |
| 713 | See Note | NSS | Controller Harness/Circuit Board Assembly (Drive and Steer) (Note: Purchase Complete Controller) | |
| 713A | 7022825 | 1 | Plug, Male - 8 Position (Black) | |
| 713A | 4460871 | 7 | Socket, Female | |
| 714 | See Note | NSS | Controller Harness (Speed Control) (Note: Purchase Complete Controller) | |
| 714A | 4460224 | 1 | Receptacle, Female - 6 Position | |
| 714A | 4460226 | 6 | Socket, Female | |
| 715 | 4923379 | 1 | Harness, Glow Plug (Deutz Engine Machines) (SN 0300092726 through 0300171769) | B |
| 716 | 1060904 | 1 | Cable, Jumper (Deutz Engine Machines) (SN 0300092726 through 0300171769) | |
| | | Ref | OPTIONAL HARNESS COMPONENTS | |
| 801A | 4460326 | 1 | Plug, Male - 3 Position | |
| 801B | 4460267 | 3 | Pin, Male | |
| 801C | 4460499 | 2 | Connector, DIN with Diode | |
| 802 | 4921928 | 1 | 4WS Valve Harness | 3 |
| 802A | 4460268 | 3 | Socket, Female | |
| 802B | 4460445 | 1 | Connector, Female - 3 Position | |
| 802C | 4460499 | 2 | Connector, DIN with Diode | |
| 803 | 0257887 | 1 | Alarm Harness (Includes Alarm) | |
| 803 | 0140032 | 1 | Alarm | |
| 803 | 2820035 | 6 in/15cm | Loom | |
| 803A | 4460424 | 1 | Plug, Male - 2 Position | |
| 803B | 4460268 | 2 | Socket, Female | |
| 804 | 0272507 | 1 | Strobe Light Harness Options (Includes Strobe Light): | |
| 804A | 4460320 | 1 | Connector, Female - 2 Position | |
| 804B | 4460267 | 2 | Pin, Male | |
| 805 | See Note | NSS | Headlight and Taillight/Chassis Illumination Harness (Note: Not Available for Purchase) | |
| 805 | 1060341 | AR | Cable, Electrical 16/2 Options: | |
| 805 | 1060341 | 37/11.3m | Headlights and Taillights | |
| 805 | 1060341 | 40/12.2m | Chassis Illumination Lights | |
| 805A | 3740049 | 1 | Relay | |
| 805A | 4460259 | 3 | Terminal | |
| 805A | 4460260 | 4 | Housing, Terminal | |
| 805A | 4460297 | 1 | Terminal | |
| 805A | 4922643 | 1 | Lights Harness for Ground Control Box | 1-A |
| 805A | 4460226 | 2 | Socket, Female | |
| 806 | | Ref | 2500W Generator Electrical Components Options: | |
| 806 | 4933350 | Ref | GM Engine Machines | 1-A |
| 806 | 4933300 | Ref | Deutz and Caterpillar with 60Hz Generators | 2-A |
| 806 | 100110027 | Ref | Deutz and Caterpillar with 50Hz Generators | 5-E |
| 806A | 4460321 | 1 | Connector, Male - 4 Position | |
| 806A | 4460906 | 4 | Socket, Female | |
| 806B | 4922641 | 1 | Harness - On/Off Switch | |
| 806C | 4460226 | 2 | Socket, Female | |
| 806D | | Ref | 2500W Control Box to Relay Harness Options: | |

SECTION 7 - ELECTRICAL

| ITEM | PART NUMBER | QTY | DESCRIPTION | REV |
|------|--------------|----------|---|-----|
| 806D | 4922970 | 1 | Caterpillar, Deutz and Ford Engines Machines | |
| 806D | 4923445 | 1 | GM Engines Machines | |
| 806E | 4460961 | 1 | Connector, Female - 4 Position | |
| 806E | 4460705 | 4 | Pin, Male | |
| 806F | 1001100305 | 1 | Ground Harness (50Hz Only) | C |
| 806G | 7020193 | 1 | 2500W Generator Power Cable | |
| 807 | | Ref | Generator to Rear of Boom Harness Options: | |
| | | Ref | Note: Harness used to connect AC at platform harness to generator receptacle to power platform receptacle. | |
| 807 | 4921827 | 1 | 110V (ANSI, ANSI Export and Japanese Specs) | 2 |
| 807 | 4921954 | 1 | 220V (ANSI and ANSI Export Specs) | 2 |
| 807 | 4921956 | 1 | 110V/220V (Australian, CE, Latin America and Brazilian Specs) | - |
| 807 | | Ref | Cable, Electrical - 12/3 Options: | |
| 807 | 1060494 | 20 ft/6m | 110V (ANSI, ANSI Export and Japanese Specs) | |
| 807 | 1060494 | 26 ft/8m | 220V (ANSI and ANSI Export Specs) | |
| 807 | 1060461 | 20 ft/6m | 110V/220V (Australian, CE, Latin America and Brazilian Specs) | |
| 807A | | Ref | Plug, Male Options: | |
| 807A | 4460205 | 1 | 110V (ANSI, ANSI Export and Japanese Specs) | |
| 807A | 4460233 | 1 | 220V (ANSI and ANSI Export Specs) | |
| 807A | Not Required | 0 | 110V/220V (Australian, CE, Latin American and Brazilian Specs) (Purchase Locally) | |
| 807A | 4460027 | 1 | Receptacle, Twist Lock (110V Only) | |
| 807B | | Ref | Receptacle, Female Options: | |
| 807B | 4460134 | 1 | 110V (ANSI, ANSI Export and Japanese Specs) | |
| 807B | 4460701 | 1 | 220V (ANSI and ANSI Export Specs) | |
| 807B | Not Required | 0 | 110V/220V (Australian, Latin American and Brazilian Specs) (Purchase Locally) | |
| 807B | See Note | NSS | 110V/220V (CE Spec) (Note: See Item 808M) | |
| 808 | | Ref | AC to Platform Receptacle Components Options: | |
| 808 | 0256113 | Ref | 110V/60Hz GFI Receptacle (ANSI, ANSI Export and Japanese Specs) | 5 |
| 808 | 0256201 | Ref | 110V/50Hz Receptacle (Plug and Receptacle Supplied Locally) (Australian, Brazilian, Latin America Specs) | 4 |
| 808 | 0257175 | Ref | 220V Receptacle (ANSI and ANSI Export Specs) | 4 |
| 808 | | Ref | CE Specs Options Only: | |
| 808 | | Ref | Without Generator: | |
| 808 | 0256201 | Ref | 110V/50Hz Receptacle (Plug and Receptacle Supplied Locally) | 3 |
| 808 | 0273076 | Ref | 110V/50Hz Receptacle (See HARNESS COMPONENTS INSTALLATION (WITH UGM) for Components) | A |
| 808 | 0273078 | Ref | CE Germany Specs (See HARNESS COMPONENTS INSTALLATION (WITH UGM) for Components) | A |
| 808 | 0275455 | Ref | 220V with CEE7 Post Ground Receptacle and Plug and Circuit Breaker (2x4 Box) | D |
| 808 | 0275456 | Ref | 220V with CEE7 Side Ground Receptacle and Plug and Circuit Breaker (2x4 Box) | D |
| 808 | 0275659 | Ref | 220V with AFSINT 107 Keyed Ground Receptacle and Plug and Circuit Breaker (2x4 Box) | D |
| 808 | 0275235 | Ref | 110V with IEC Yellow Receptacle and Plug and Circuit Breaker | D |
| 808 | 0275254 | Ref | 220V with IEC Blue Receptacle and Plug and Circuit Breaker | D |
| 808 | 0275237 | Ref | 220V with CEE7 Post Ground Receptacle and Plug and Circuit Breaker (70mm x 70mm Box) | D |

SECTION 7 - ELECTRICAL

| ITEM | PART NUMBER | QTY | DESCRIPTION | REV |
|------|--------------|-----|--|-----|
| 808 | 0275253 | Ref | 220V with CEE7 Side Ground Receptacle and Plug and Circuit Breaker (70mm x 70mm Box) (Use p/n 1001153312) | A-D |
| 808 | | Ref | With Generator: | |
| 808 | 1001100390 | Ref | 220V with CEE7 Post Ground Receptacle and Plug and Circuit Breaker (2x4 Box) | D |
| 808 | 1001100391 | Ref | 220V with CEE7 Side Ground Receptacle and Plug and Circuit Breaker (2x4 Box) | D |
| 808 | 1001100392 | Ref | 220V with AFSINT 107 Keyed Ground Receptacle and Plug and Circuit Breaker (2x4 Box) | C |
| 808 | 1001100393 | Ref | 110V with IEC Yellow Receptacle and Plug and Circuit Breaker | C |
| 808 | 1001100394 | Ref | 220V with IEC Blue Receptacle and Plug and Circuit Breaker | C |
| 808 | 1001100395 | Ref | 220V with CEE7 Post Ground Receptacle and Plug and Circuit Breaker (70mm x 70mm Box) | C |
| 808 | 1001100396 | Ref | 220V with CEE7 Side Ground Receptacle and Plug and Circuit Breaker (70mm x 70mm Box) | C |
| 808A | | Ref | Box, Switch Options: | |
| 808A | 0860038 | 1 | 0256113 & 0257175 Installations | |
| 808A | Not Required | 0 | 0256201 Installation (Purchase Locally) | |
| 808A | 0861731 | 1 | 0275455, 0275456, 0275659, 1001100390, 1001100391 & 1001100392 Installations | |
| 808A | 0861781 | 1 | 0275235, 0275254, 1001100393 & 1001100394 Installations | |
| 808A | 0861782 | NLA | 0275237, 0275253, 1001100395, 1001100396 & 1001153312 Installations (Note: Use p/n 1001100344 CEE7 Side Ground Service Kit or p/n 1001100343 CEE7 Post Ground Service Kit. Kit Include Box p/n 1001141967 & Items 808B, 808C, 808E & 808M) | |
| 808A | 1001141967 | 1 | 1001100343, 1001100344, 1001141970 & 1001141971 Kits | |
| 808B | | Ref | Receptacle Options: | |
| 808B | 4460346 | 1 | 0256113 Installation | |
| 808B | 4460125 | 1 | 0257175 Installation | |
| 808B | Not Required | 0 | 0256201 Installation (Purchase Locally) | |
| 808B | 4461244 | 1 | 0275455 & 1001100390 Installations | |
| 808B | 4461245 | 1 | 0275456 & 1001100391 Installations | |
| 808B | 4461246 | 1 | 0275659 & 1001100392 Installations | |
| 808B | 4461198 | 1 | 0275235 & 1001100393 Installations | |
| 808B | 4461201 | 1 | 0275254 & 1001100394 Installations | |
| 808B | 4461204 | NLA | 0275237 & 1001100395 Installations (Use p/n 1001100343) | |
| 808B | 4461207 | NLA | 0275253, 1001100396 & 1001153312 Installations (Use p/n 1001100344) | |
| 808B | 1001141968 | 1 | 1001100343 & 1001141971 Kits | |
| 808B | 1001141969 | 1 | 1001100344 & 1001141970 Kits | |
| 808C | | Ref | Shield, Cover Options: | |
| 808C | 4060700 | 1 | 0256113 Installation (SN 0300087000 through 0300138240) | |
| 808C | 1001110873 | 1 | 0256113 Installation (SN 0300138241 through 0300171769) | |
| 808C | 4060092 | 1 | 0257175 Installation | |
| 808C | Not Required | 0 | 0256201 Installation (Purchase Locally) | |
| 808C | 4461244 | 1 | 0275455 & 1001100390 Installations | |
| 808C | 4461245 | 1 | 0275456 & 1001100391 Installations | |
| 808C | 4461246 | 1 | 0275659 & 1001100392 Installations | |

SECTION 7 - ELECTRICAL

| ITEM | PART NUMBER | QTY | DESCRIPTION | REV |
|------|---------------|-----|--|-----|
| 808C | 4461198 | 1 | 0275235 & 1001100393 Installations | |
| 808C | 4461201 | 1 | 0275254 & 1001100394 Installations | |
| 808C | 4461207 | NLA | 0275237 & 1001100395 Installations (Use p/n 1001100343) | |
| 808C | 4461207 | NLA | 0275253, 1001100396 & 1001153312 Installations (Use p/n 1001100344) | |
| 808C | 1001141968 | 12 | 1001100343 & 1001141971 Kits | |
| 808C | 1001141969 | 1 | 1001100344 & 1001141970 Kits | |
| 808D | | Ref | Connector, Strain Relief Options: | |
| 808D | 4460071 | 1 | 0256113 & 0257175 Installations | |
| 808D | Not Required | 0 | 0256201 Installation (Purchase Locally) | |
| 808D | 4460968 | 1 | 0275455, 0275456, 0275659, 0275235, 0275254, 0275237, 0275253, 1001100390, 1001100391, 1001100392, 1001100393, 1001100394, 1001100395, 1001100396 & 1001153312 Installations | |
| 808E | | Ref | Plug, Male Options: | |
| 808E | 4460205 | 1 | 0256113 Installation | |
| 808E | 4460233 | 1 | 0257175 Installation | |
| 808E | Not Available | | 0256201 Installation (Purchase Locally) | |
| 808E | 4461202 | 1 | 0275237, 0275455, 1001100390 & 1001100395 Installations & 1001100343 & 1001141971 Kits | |
| 808E | 4461205 | 1 | 0275453, 0275256, 1001100391 & 1001100396 Installations & 1001100344 & 1001141970 Kits | |
| 808E | 4461249 | 1 | 0275659 & 1001100392 Installations | |
| 808E | 4461196 | 1 | 0275235 & 1001100393 Installations | |
| 808E | 4461199 | 1 | 0275254 & 1001100394 Installations | |
| 808F | | Ref | Hardware Options: | |
| 808F | 0641405 | AR | Bolt 1/4in - 20NC x 5/8in | |
| 808F | 0641407 | AR | Bolt 1/4in - 20NC x 7/8in | |
| 808F | 0641410 | AR | Bolt 1/4in - 20NC x 1-1/4in | |
| 808F | 0641416 | AR | Bolt 1/4in - 20NC x 2in | |
| 808F | 0700408 | AR | Screw M4 x 16mm | |
| 808F | 3290405 | AR | Locknut M4 | |
| 808F | 3311405 | AR | Locknut 1/4in - 20NC | |
| 808F | 4711400 | AR | Flatwasher 1/4in (Narrow) | |
| 808F | 4811400 | AR | Flatwasher M4 | |
| 808F | 1320149 | AR | Clamp, Stauff | |
| 808F | 0100011 | AR | Compound, Locking | |
| 808G | | Ref | Bracket, Receptacle Box Mounting Options: | |
| 808G | Not Required | 0 | 0256113, 0257175 & 0256201 Installations | |
| 808G | 0903484 | 1 | 0275455, 0275456, 0275659, 0275235, 0275254, 0275237, 0275253, 1001100390, 1001100391, 1001100392, 1001100393, 1001100394, 1001100395, 1001100396 & 1001153312 Installations | |
| 808H | | Ref | Bracket, Circuit Breaker Mounting Options: | |
| 808H | Not Required | 0 | 0256113, 0257175 & 0256201 Installations | |
| 808H | 0903611 | 1 | 0275455, 0275456, 0275659, 0275235, 0275254, 0275237, 0275253, 1001100390, 1001100391, 1001100392, 1001100393, 1001100394, 1001100395, 1001100396 & 1001153312 Installations | |
| 808 | 1001154592 | 1 | 1001153312 Installation | |
| 808J | | Ref | Kit, Box and Breaker (Required Only on CE Spec Installations except 0256201 Installation): | |
| 808J | 2902549 | AR | Without Generator | D |

SECTION 7 - ELECTRICAL

| ITEM | PART NUMBER | QTY | DESCRIPTION | REV |
|------|-------------|------------|---|-----|
| 808J | 1001096070 | AR | With 110V Generator | D |
| 808J | 1001109554 | AR | With 220V Generator | B |
| 808J | | Ref | Circuit Breaker Options: | |
| 808J | | Ref | Without Generator | |
| 808J | 2400093 | NLA | Circuit Breaker, 16Amp/30mAmp Combination (Use p/n 1001181045) (SN 0300087000 through 0300136310) | |
| 808J | 1001109475 | NLA | Circuit Breaker, 16Amp (Use p/n 1001181045 16Amp/30mAmp Combination) (SN 0300136311 through 0300171769) | |
| 808J | 1001109482 | NLA | Circuit Breaker, 30mAmp (Use p/n 1001181045 16Amp/30mAmp Combination) (SN 0300136311 through 0300171769) | |
| 808J | | Ref | With 110V Generator | |
| 808J | 1001109475 | NLA | Circuit Breaker, 16Amp (Use p/n 1001181045 16Amp/30mAmp Combination) | |
| 808J | 1001109482 | NLA | Circuit Breaker, 30mAmp (Use p/n 1001181045 16Amp/30mAmp Combination) | |
| 808J | | Ref | With 220V Generator | |
| 808J | 1001109477 | NLA | Circuit Breaker, 10Amp (Use p/n 1001181046 10Amp/30mAmp Combination) | |
| 808J | 1001109482 | NLA | Circuit Breaker, 30mAmp (Use p/n 1001181046 10Amp/30mAmp Combination) | |
| 808J | 0861880 | 1 | Breaker Box | |
| 808J | 4460956 | 1 | Barrier, Terminal Block End | |
| 808J | 4460957 | 1 | Block, Terminal | |
| 808K | | Ref | Connector, Strain Relief Options (Required Only on CE Spec Installations except 0256201 Installation): | |
| 808K | 4460633 | 2 | M20 Thread | |
| 808K | 1001097150 | 2 | M25 Thread | |
| 808L | 1060908 | AR | Cable, Extension (Required Only on CE Spec Installations except 0256201 Installation) | |
| 808L | 1060908 | 6 ft/1.8m | Without Generator | |
| | 1060908 | 12 ft 3.6m | With Generator | |
| 808M | | Ref | Receptacle, Female Options: | |
| 808M | 4461203 | 1 | 1001100390 & 1001100395 Installations & 1001100343 & 1001141971 Kits | |
| 808M | 4461206 | 1 | 1001100391 & 1001100396 Installations & 1001100344 & 1001141970 Kits | |
| 808M | 4461250 | 1 | 1001100392 Installation | |
| 808M | 4461197 | 1 | 1001100393 Installation | |
| 808M | 4461200 | 1 | 1001100394 Installation | |
| | 0275452 | | Receptacle Box Kit (220V CEE7 Post Ground) (Includes Items 808A, 808B, 808C & 808E) (0275455 Installation) | 1 |
| | 1001100345 | | Receptacle Box Kit (220V CEE7 Post Ground) (Includes Items 808A-808C, 808E & 808M) (1001100390 Installation) | 2 |
| | 0275453 | | Receptacle Box Kit (220V CEE7 Side Ground) (Includes Items 808A, 808B, 808C & 808E) (0275456 Installation) | 1 |
| | 1001100347 | | Receptacle Box Kit (220V CEE7 Side Ground) (Includes Items 808A-808C, 808E & 808M) (1001100391 Installation) | 3 |
| | 0275454 | | Receptacle Box Kit (220V AFSINT 107 Keyed Ground) (Includes Items 808A, 808B, 808C & 808E) (0275659 Installation) | 1 |
| | 1001100346 | | Receptacle Box Kit (220V AFSINT 107 Keyed Ground) (Includes Items 808A-808C, 808E & 808M) (1001100392 Installation) | 2 |

SECTION 7 - ELECTRICAL

| ITEM | PART NUMBER | QTY | DESCRIPTION | REV |
|------|-------------|-----|---|-----|
| | 0275216 | | Receptacle Box Kit (110V IEC Yellow) (Includes Items 808A, 808B, 808C & 808E) (0275235 Installation) | 1 |
| | 1001100341 | | Receptacle Box Kit (110V IEC Yellow) (Includes Items 808A-808C, 808E & 808M) (1001100393 Installation) | 2 |
| | 0275217 | | Receptacle Box Kit (220V IEC Blue) (Includes Items 808A, 808B, 808C & 808E) (0275254 Installation) | 1 |
| | 1001100342 | | Receptacle Box Kit (220V IEC Blue) (Includes Items 808A-808C, 808E & 808M) (1001100394 Installation) | 2 |
| | 0275218 | | Receptacle Box Kit (220V CEE7 Post Ground) (Includes Items 808A-808C, 808E & 808M) (0275237 Installation) (Use p/n 1001100343) | B-B |
| | 1001100343 | | Receptacle Box Kit (220V CEE7 Post Ground) (Includes Items 808A-808C, 808E & 808M) (1001100395 Installation) | B |
| | 0275219 | | Receptacle Box Kit (220V CEE7 Side Ground) (Includes Items 808A-808C, 808E & 808M) (0275253 & 1001153312 Installations) (Use p/n 100110344) | B-B |
| | 1001100344 | | Receptacle Box Kit (220V CEE7 Side Ground) (Includes Items 808A-808C, 808E & 808ME) (1001100396 Installation) | B |
| 809 | | Ref | 7500W SkyPower Generator Installation | |
| 809 | 0273540 | Ref | 60Hz and Caterpillar Engine | H |
| 809 | 0273541 | Ref | 50Hz Spec and Caterpillar Engine | H |
| 809 | 0272255 | Ref | 60Hz and Deutz Engine | I |
| 809 | 0272640 | Ref | 60Hz and Deutz Engine (Brazilian Spec Only) | G |
| 809 | 0272492 | Ref | 50Hz Spec and Deutz Engine | H |
| 809 | 0272817 | Ref | 60Hz Spec and Ford Engine | E |
| 809 | 0275257 | Ref | 60Hz Spec and GM Engine | E |
| | | Ref | Note: SkyPower Generator is Standard On ANSI and CSA Specs. Optional on All Other Specs. | |
| | | Ref | Note: See SPECIAL OPTIONS Section for Machines with 4000W generator. | |
| 809A | | Ref | Receptacle, Female Twist-Lock Options: | |
| 809A | 4460958 | 1 | 60Hz Spec | |
| 809A | See Note | NLA | 50Hz Spec (Note: Not Available - Purchase Locally) | |
| 809B | | Ref | Gasket Options: | |
| 809B | 3960422 | 2 | 60Hz Spec | |
| 809B | See Note | NLA | 50Hz Spec (Note: Not Available - Purchase Locally) | |
| 809C | | Ref | Cover, Receptacle Options: | |
| 809C | 4060700 | 1 | 60Hz Spec (SN 0300087000 through 0300138109) | |
| 809C | 1001110873 | 1 | 60Hz Spec (SN 0300138110 through 0300171769) | |
| 809C | See Note | 1 | 50Hz Spec (Note: Not Available - Purchase Locally) | |
| 809D | | Ref | Cover, Receptacle Options: | |
| 809D | 4061043 | 1 | 60Hz Spec (SN 0300087000 through 0300138109) | |
| 809D | 1001110872 | 1 | 60Hz Spec (SN 0300138110 through 0300171769) | |
| 809D | See Note | NLA | 50Hz Spec (Note: Not Available - Purchase Locally) | |
| 809E | | Ref | Receptacle Options: | |
| 809E | 4460346 | 1 | 60Hz Spec | |
| 809E | See Note | 1 | 50Hz Spec (Note: Not Available - Purchase Locally) | |
| 809F | 4460051 | 1 | Connector, Strain Relief | |
| 809G | 4460071 | 1 | Connector, Strain Relief | |
| 809H | 4922925 | 1 | Harness, Generator | |
| 809I | See Note | NLA | Plug, Male - 6 Position (Note: Not Available - Purchase Locally) | |
| 809I | See Note | NLA | Socket, Female (Note: Not Available - Purchase Locally) | |
| 809J | 4460225 | 1 | Plug, Male - 6 Position | |
| 809J | 4460226 | 6 | Socket, Female | |

SECTION 7 - ELECTRICAL

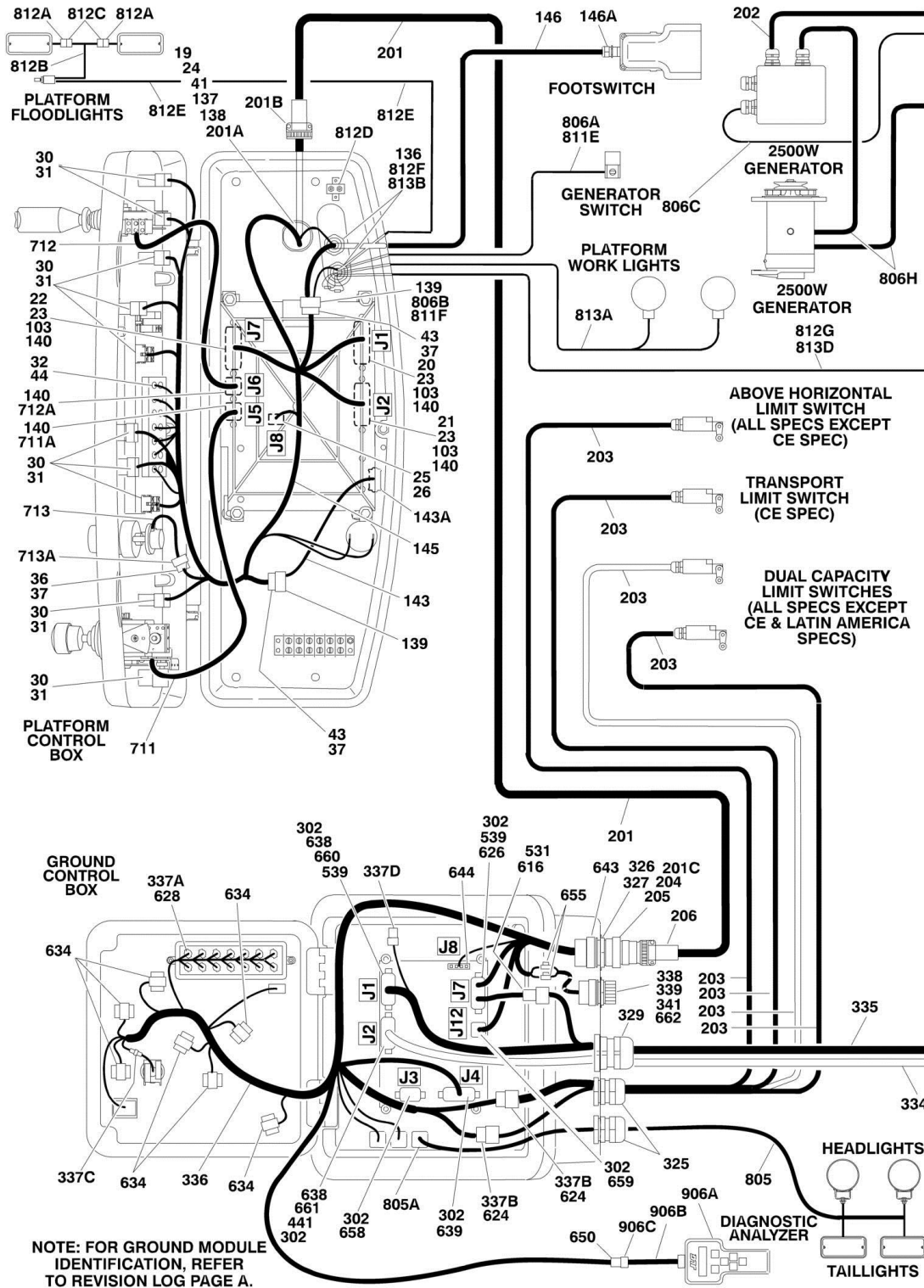
| ITEM | PART NUMBER | QTY | DESCRIPTION | REV |
|------|-------------|------------------|---|-----|
| 810 | | Ref | 7500W SkyPower Generator Junction Box Components | |
| 810 | 0861542 | Ref | 60Hz Spec | C |
| 810 | 0861567 | Ref | 50Hz Specs | B |
| | | Ref | Note: See SPECIAL OPTIONS Section for Machines with 4000W generator. | |
| 810A | | Ref | Cable, Electrical 12/3 | |
| 810A | 1060494 | 2 ft/.6m | 60Hz Spec | |
| 810A | See Note | 2 ft/.6m | 50Hz Spec (Note: Not Available - Purchase Locally) | |
| 810B | | Ref | Cable, Electrical 10/3 | |
| 810B | 1060708 | 2.5 ft /0.76m | 60Hz Spec | |
| 810B | See Note | 2.5 ft/0.76m | 50Hz Spec (Note: Not Available - Purchase Locally) | |
| 810C | 1060343 | 1.5 ft /0.46m | Cable, Electrical 10/4 (60Hz Spec Only) | |
| 810D | 4460425 | 2 | Connector, Strain Relief | |
| 810E | | Ref | Component Options: | |
| 810E | 4460426 | 2 | Connector, Strain Relief (60Hz Spec Only) | |
| 810E | 4460426 | 1 | Connector, Strain Relief (50Hz Spec Only) | |
| 810E | 3520189 | 1 | Plug (50Hz Spec Only) | |
| 810F | 1671092 | 1 | Cover (60Hz Spec Only) | |
| 810F | 4460963 | 1 | Connector (60Hz Spec Only) | |
| 811 | | Ref | 7500W Generator Electrical Diagram Components | |
| 811 | 4933264 | Ref | Caterpillar and Deutz Engine Machines | C |
| 811 | 4933283 | Ref | Ford Engine Machines | 2-B |
| 811 | 4933349 | Ref | GM Engine Machines | 1-A |
| | | Ref | Note: See SPECIAL OPTIONS Section for Machines with 4000W generator. | |
| 811A | | Ref | Generator Harness Options: | |
| 811A | 4922757 | 1 | Caterpillar and Deutz Engine Machines | 3-C |
| 811A | 4922905 | 1 | Ford Engine Machines | 1-A |
| 811A | 4923420 | 1 | GM Engine Machines | A |
| 811B | 4460374 | 2 | Plug, Sealed Relay | |
| 811B | 4460375 | 7 | Terminal | |
| 811C | 4460967 | 1 | Plug, Male - 3 Position | |
| 811C | 4460465 | 3 | Socket, Female | |
| 811D | 2400060 | AR | Fuseholder Options: | |
| 811D | | Ref | Caterpillar, Deutz and GM Engine Machines | |
| 811D | | Ref | Ford Engine Machines | |
| 811D | 2400064 | AR | Fuse - 5Amp Options: | |
| 811D | | Ref | Caterpillar, Deutz and GM Engine Machines | |
| 811D | | Ref | Ford Engine Machines | |
| 811E | 4922641 | 1 | Switch Harness | |
| 811F | 4460226 | 2 | Socket, Female | |
| 811G | 4460742 | 1 | Plug, Male - 2 Position (GM Engine Only) | |
| 811G | 4460743 | 2 | Socket, Female (GM Engine Only) | |
| 812 | 4933313 | 1 | Floodlights Harness Components | 1-A |
| 812A | 4460320 | 2 | Plug, Male - 2 Position | |
| 812A | 4460227 | 4 | Pin, Male | |
| 812B | 4922764 | 1 | Floodlight Harness (Lights to Switch) | 1-A |
| 812C | 4460424 | 2 | Connector, Female - 2 Position | |
| 812C | 4460226 | 4 | Socket, Female | |

SECTION 7 - ELECTRICAL

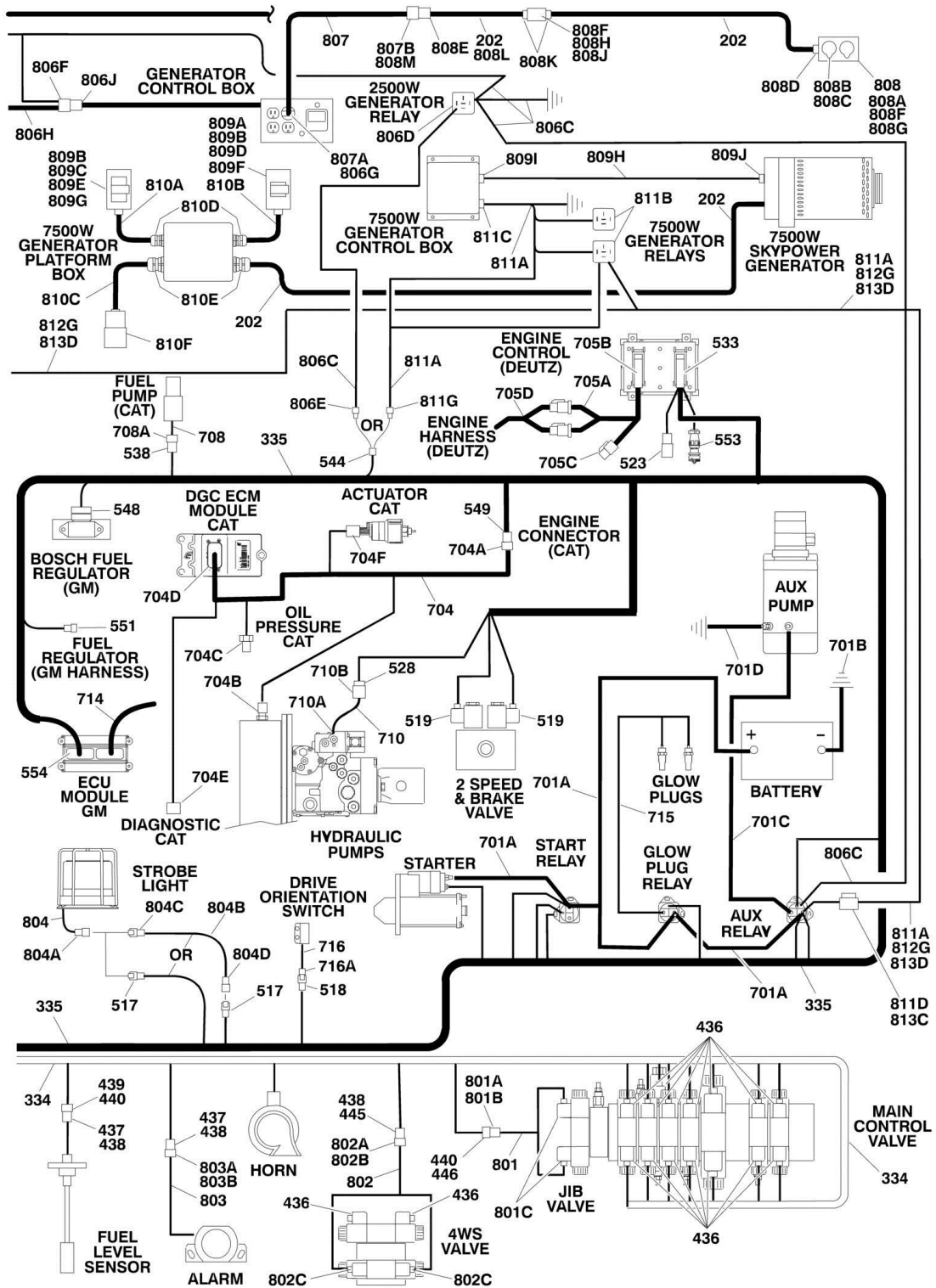
| ITEM | PART NUMBER | QTY | DESCRIPTION | REV |
|------|-------------|-----|--|-----|
| 812D | 4360232 | 1 | Circuit Breaker - 15Amp | |
| 812E | 1060977 | 1 | Cord, 2 Wire Coiled (Console Box Circuit Breaker to Switch) | |
| 812F | 4460425 | 1 | Connector, Strain Relief | |
| 812G | | Ref | Harness, Console Box to Aux Relay Options: | |
| 812G | 4922888 | 1 | Harness, Console Box to Aux Relay 600S & 600SJ Harness (77ft/23.5m of 12/3 Cable p/n 1060494) | |
| 812G | 4922964 | 1 | Harness, Console Box to Aux Relay 660SJ Harness (83ft/25.4m of 12/3 Cable p/n 1060494) | |
| 813 | | Ref | Platform Worklights Components | |
| 813A | 2920140 | 2 | Platform Worklights External Harness (Includes Light and Wire Only) | |
| 813B | 4460426 | 1 | Connector, Strain Relief | |
| 813C | 2400070 | 1 | Fuse | |
| 813C | 2400066 | 1 | Holder, Fuse | |
| 813D | | Ref | Harness, Console Box to Aux Relay Options: | |
| 813D | 4922888 | 1 | Harness, Console Box to Aux Relay 600S & 600SJ Harness (77ft/23.5m of 12/3 Cable p/n 1060494) | |
| 813D | 4922964 | 1 | Harness, Console Box to Aux Relay 660SJ Harness (83ft/25.4m of 12/3 Cable p/n 1060494) | |
| | | Ref | TOOLS | |
| 901 | 7002821 | 1 | Crimper (For Wire to Pin/Socket Connections) (Not Shown) | |
| 902 | 7002823 | 1 | Extractor (For Removal of Pin/Socket from Connectors) (Not Shown) | |
| 903 | 4460467 | 1 | Extractor, Pin (Blue 16-18 Gauge) (For Removal of Pin/Socket from Connectors) (Not Shown) | |
| 904 | 4460510 | 1 | Extractor, Pin (Yellow 12-14 Gauge) (For Removal of Pin/Socket from Connectors) (Not Shown) | |
| 905 | 7002828 | 1 | Stripper, Wire (Not Shown) | |
| 906 | 2901443 | 1 | Analyzer Kit (Not Shown) | |
| 906A | 1600244 | 1 | Analyzer | |
| 906B | 1060633 | 1 | Cable, Analyzer | 1-A |
| 906C | 4460321 | 2 | Plug, Male | |
| 906C | 4460226 | 8 | Socket, Female | |

SECTION 7 - ELECTRICAL

FIGURE 7-3. HARNESS COMPONENTS INSTALLATION (WITH UGM)



SECTION 7 - ELECTRICAL



SECTION 7 - ELECTRICAL

FIGURE 7-3. HARNESS COMPONENTS INSTALLATION (WITH UGM)

| ITEM | PART NUMBER | QTY | DESCRIPTION | REV |
|------|-------------|-----------|--|-----|
| | | Ref | Note: For Ground Module Identification, Refer to Revision Log Page A | |
| | 1001107753 | Ref | PLATFORM BOX HARNESS ASSEMBLY | D |
| 19 | 4460866 | 1 | Terminal, 19 Pin Receptacle | |
| 20 | 4460874 | 1 | Connector - 35 Position (Natural) | |
| 21 | 4460875 | 1 | Connector - 35 Position (Gray) | |
| 22 | 4460873 | 1 | Connector - 35 Position (Black) | |
| 23 | 4460871 | 79 | Socket, Female | |
| 24 | 4460464 | 7 | Pin, Male (16 Gauge) | |
| 25 | 4460879 | 1 | Terminal, Housing 2 Position | |
| 26 | 4460887 | 2 | Terminal, (12 Gauge) | |
| 30 | 4460418 | 9 | Connector - 6 Position | |
| 31 | 4460419 | 27 | Terminal, Female | |
| 32 | 4120035 | 13 | Base, Light | |
| 36 | 4460225 | 1 | Plug, Male- 6 Position | |
| 37 | 4460227 | 6 | Pin, Male | |
| 41 | 4460508 | 3 | Pin, Male (12 Gauge) | |
| 43 | 4460434 | 2 | Connector - 15 Position | |
| 44 | 2920129 | 13 | Lamp, Indicator | |
| | | Ref | PLATFORM BOX ASSEMBLY COMPONENTS | |
| 103 | 0100048 | AR | Grease, Dielectric | |
| 136 | 4460428 | 2 | Connector, Strain Relief | |
| 137 | 4460470 | 1 | Nut, Terminal | |
| 138 | 4460471 | 1 | Lockwasher, Terminal | |
| 139 | 4460708 | 2 | Connector, Female - 15 Position | |
| 140 | 4460905 | 5 | Seal, Plug | |
| 143 | 4922666 | 1 | Harness, Analyzer Cable | 2-B |
| 143 | 4460226 | 4 | Socket, Female (Not Shown - Located at J2) | |
| 143A | 4460761 | 1 | Connector, Female - 4 Position | |
| 143A | 4460227 | 4 | Pin, Male | |
| 145 | 1001107753 | 1 | Harness, Platform Console Box Options (Includes Items 1-44): | |
| 146 | See Note | NSS | Footswitch Harness (Note: Not Available for Purchase) | |
| 146 | 1060918 | 7 ft/2.1m | Cable, Electrical - 18/3 | |
| 146A | 4460071 | 1 | Connector, Strain Relief | |
| | | Ref | BOOM CABLES INSTALLATION | |
| | | Ref | Boom Cables Installation 600S: | |
| | 0270733 | Ref | ANSI, ANSI Export, Brazilian, CSA, Japanese Specs without 7500W Generator | 5 |
| | 0270734 | Ref | CE and Latin American Specs without 7500W Generator | 6 |
| | 0272483 | Ref | ANSI, ANSI Export, Australian, CSA Specs with 7500W Generator | 3 |
| | 0272484 | Ref | Brazilian, CE, Japanese, Latin American Specs with 7500W Generator | 3 |
| | 0275924 | Ref | ANSI, ANSI Export, CSA Specs without 7500W Generator and Arctic Package | 2 |
| | 0275925 | Ref | ANSI, ANSI Export, CSA Specs with 7500W Generator and Arctic Package | 3 |
| | | Ref | Boom Cables Installation 660SJ: | 3 |
| | 0270736 | Ref | ANSI, ANSI Export, Australian, Brazilian, CSA, Japanese, Latin American Specs without 7500W Generator | 3 |
| | 0270735 | Ref | CE Specs without 7500W Generator | 3 |

SECTION 7 - ELECTRICAL

| ITEM | PART NUMBER | QTY | DESCRIPTION | REV |
|------|-------------|-----------------|--|-----|
| | 0272485 | Ref | ANSI, ANSI Export, Australian, CSA, Latin American Specs with 7500W Generator | 2 |
| | 0272486 | Ref | Brazilian, CE, Japanese Specs with 7500W Generator | 2 |
| | 0275339 | Ref | ANSI, ANSI Export, CSA Specs without 7500W Generator and Arctic Package | 1 |
| | 0275831 | Ref | ANSI, ANSI Export, CSA Specs with 7500W Generator and Arctic Package | 2 |
| 201 | | Ref | Harness, Main Boom Options: | |
| 201 | | Ref | Harness, Main Boom 600S: | |
| 201 | 4922468 | 1 | ANSI, ANSI Export, CE, CSA, Australian, Brazilian, Japanese, Latin American Spec | |
| 201 | 4923657 | 1 | ANSI, ANSI Export, CSA Spec (With Arctic Package) | |
| 201 | | Ref | Harness, Main Boom 660SJ: | |
| 201 | 4922467 | 1 | ANSI, ANSI Export, Australian, CE, CSA, Brazilian, Japanese, Latin American Spec | |
| 201 | 4923509 | 1 | ANSI, ANSI Export, CSA Spec (With Arctic Package) | |
| 201 | 1060896 | AR | Cable Options: | |
| 201 | 1060896 | 67 ft /20.4m | Cable 600S | |
| 201 | 1060896 | 75 ft /22.8m | Cable 600SJ | |
| 201 | 4923462 | AR | Cable Options (With Arctic Package): | |
| 201 | 4923462 | 67 ft /20.4m | Cable 600S | |
| 201 | 4923462 | 75 ft /22.8m | Cable 660SJ | |
| 201A | 4460465 | 11 | Socket, Female - #16 | |
| 201A | 4460865 | 1 | Plug, Connector (19 Pin) | |
| 201A | 4460509 | 4 | Socket, Female - #12 | |
| 201A | 4460466 | 4 | Seal, Plug | |
| 201B | 4460473 | 1 | Clamp, Cable | |
| 201C | 4460465 | 11 | Socket, Female - #16 | |
| 201C | 4460509 | 4 | Socket, Female - #12 | |
| 202 | | Ref | Harness, Generator Options: (Does not include plug ends) | |
| 202 | | Ref | Harness, Generator 600S without 7500W Generator | |
| 202 | 4922889 | AR | ANSI, ANSI Export, Australian, Brazilian, CSA, Japanese Specs (69.5ft/21.8m of 12/3 ANSI Spec Cable p/n 1060494) | |
| 202 | 4922884 | AR | CE and Latin American Specs (69.5ft/21.8m of 12/3 CE Spec Cable p/n 1060461) | |
| 202 | 4923660 | AR | ANSI, ANSI Export, CSA Specs (69.5ft/21.8m of 12/3 Cable p/n 4923463) (With Arctic Package) | |
| 202 | 4922792 | AR | Harness, Generator 600S with 7500W Generator (83ft/25.3m of 8/5 Cable p/n 1060945) (For Arctic Machines p/n was 4923658) | |
| 202 | | Ref | Harness, Generator 660SJ without 7500W Generator | |
| 202 | 4922888 | AR | ANSI, ANSI Export, Australian, Brazilian, CSA, Japanese, Latin American Specs (77ft/23.5m of 12/3 ANSI Spec Cable p/n 1060494) | |
| 202 | 4922886 | AR | CE Specs (77ft/23.5m of 12/3 CE Spec Cable p/n 1060461) | |
| 202 | 4923510 | AR | ANSI, ANSI Export, CSA Specs (77ft/23.5m of 12/3 Cable p/n 4923463) (With Arctic Package) | |
| 202 | 4922791 | AR | Harness, Generator 660SJ with 7500W Generator (90.5ft/27.6m of 8/5 Cable p/n 1060945) (For Arctic Machines p/n was 4923630) | |
| 203 | | Ref | Cable, Limit Switch Options: | |

SECTION 7 - ELECTRICAL

| ITEM | PART NUMBER | QTY | DESCRIPTION | REV |
|------|-------------|------------|---|-----|
| 203 | | Ref | Cable, Limit Switch 600S: | |
| 203 | 1061026 | 1 | ANSI, ANSI Export, Australian, Brazilian, CE, CSA, Latin American, Japanese Specs (25.5ft/7.8m of 18/2 Cable p/n 1060680) | |
| 203 | 4923659 | 1 | ANSI, ANSI Export, CSA Spec (25.5ft/7.8m of 18/2 Cable p/n 4923466) (With Arctic Package) | |
| 203 | 1061027 | 2 | ANSI, ANSI Export, Australian, CSA, Brazilian, Japanese Specs (13.5ft/4.2m of 18/2 Cable p/n 1060680) | |
| 203 | | Ref | Cable, Limit Switch 660SJ: | |
| 203 | 1061027 | 1 | ANSI, ANSI Export, Australian, Brazilian, CSA, Latin American, Japanese Specs (13.5ft/4.2m of 18/2 Cable p/n 1060680) | |
| 203 | 1061026 | 1 | Brazilian, CE, Japanese Specs (25.5ft/7.8m of 18/2 Cable p/n 1060680) | |
| 203 | 4923511 | 1 | ANSI, ANSI Export, CSA Spec (13.5ft/4.2m of 18/2 Cable p/n 4923466) (With Arctic Package) | |
| 204 | 4460865 | 1 | Plug, Connector (19 Pin) | |
| 205 | 4460466 | 4 | Seal, Plug | |
| 206 | 4460473 | 1 | Clamp, Cable | |
| 207 | 4100026 | Ref | Sleeve, Nylon (Required on 600S Only - Not Shown) | |
| 207 | 4100026 | 10 ft/3.0m | USA Built Machines (SN 0300087000 through 0300137882) | |
| 207 | 4100026 | 4 ft/1.2m | USA Built Machines (SN 0300137883 through 0300171769) | |
| 207 | 4100026 | 4 ft/1.2m | China Built Machines (SN B300000100 through B300000969) | |
| | | Ref | GROUND CONTROL BOX COMPONENTS | |
| 302 | 0100048 | AR | Grease, Dielectric | |
| 325 | 4460426 | 2 | Connector, Strain Relief | |
| 326 | 4460470 | 1 | Nut, Terminal | |
| 327 | 4460471 | 1 | Lockwasher, Terminal | |
| 329 | 4460526 | 1 | Connector, Strain Relief | |
| 334 | 4923206 | 1 | Valve Harness Assembly (See 401 to 446 for Breakdown) | C |
| 335 | | Ref | Engine Harness Assembly (See 501 to 554 for Breakdown): | |
| 335 | 1001110362 | 1 | Caterpillar Engine Machines | |
| 335 | 1001110361 | 1 | Deutz Engine Machines | |
| 335 | 1001110359 | 1 | GM Engine Machines | |
| 336 | 1001108602 | 1 | Ground Control Box Harness Assembly (See Items 601-662 for Breakdown) | |
| 337 | | Ref | Ground Control Box Wiring Diagram (Not Shown) | |
| 337 | 1001110365 | 1 | Caterpillar Engine | D |
| 337 | 1001110364 | 1 | Deutz Engine | D |
| 337 | 1001110363 | 1 | GM Engine | C |
| 337A | 2920129 | AR | Bulb, Light | |
| 337B | 4460708 | AR | Receptacle, Female - 15 Position | |
| 337B | 4460226 | AR | Socket, Female | |
| 337B | 4922637 | 1 | Harness, Jumper (Not Shown) | |
| 337B | 4922636 | 1 | Harness, Jumper (Not Shown) | |
| 337C | 2400065 | 1 | Fuse, 30Amp | |
| 337C | 2400066 | 1 | Fuse, Holder with Cover | |
| 337D | 4460894 | 1 | Plug, Male - 6 Position | |
| 337D | 4460892 | 1 | Receptacle, Female - 6 Position | |
| 338 | 4460496 | 1 | Lockwasher, Terminal | |
| 339 | 4460497 | 1 | Nut, Terminal | |
| 341 | 1001106736 | 1 | Cap, Dust | |
| | 4923206 | Ref | VALVE HARNESS ASSEMBLY | 2-B |

SECTION 7 - ELECTRICAL

| ITEM | PART NUMBER | QTY | DESCRIPTION | REV |
|------|-------------|-----|---|-----|
| 436 | 4460880 | 15 | DIN Connector | |
| 437 | 4460320 | 2 | Plug, Male - 2 Position | |
| 438 | 4460267 | 5 | Pin, Male | |
| 439 | 4460424 | 1 | Receptacle, Female - 2 Position | |
| 440 | 4460268 | 5 | Socket, Female | |
| 441 | 4460871 | 28 | Socket, Female | |
| 445 | 4460326 | 1 | Plug, Male - 3 Position | |
| 446 | 4460445 | 1 | Receptacle, Female - 3 Position | |
| | | Ref | ENGINE HARNESS ASSEMBLIES | |
| | 1001110362 | Ref | Caterpillar Engine Machines | B |
| | 1001110361 | Ref | Deutz Engine Machines | A |
| | 1001110359 | Ref | GM Engine Machines | A |
| 517 | 4460424 | 1 | Receptacle, Female - 2 Position | |
| 517 | 4460268 | 2 | Socket, Female | |
| 518 | 4460424 | 1 | Receptacle, Female - 2 Position | |
| 518 | 4460226 | 2 | Socket, Female | |
| 519 | 4460880 | 2 | DIN Connector without Diode | |
| 523 | 4461070 | 1 | Receptacle, Female with Resistor (3 Position) (Deutz Engine Only) | |
| 523 | 4461095 | 1 | Plug, Male - 3 Position (Deutz Engine Only) | |
| 523 | 4460944 | 3 | Socket, Female (Deutz Engine Only) | |
| 528 | 4460460 | 1 | Connector, Male - 4 Position | |
| 528 | 4460457 | AR | Terminal, Female | |
| 528 | 4460458 | AR | Seal, Terminal | |
| 531 | 4460539 | 1 | Connector, Male - 3 Position | |
| 531 | 4460944 | 3 | Socket, Female | |
| 533 | 4461052 | 1 | Connector, Receptacle - 25 Position (Deutz Engine Only) | |
| 533 | 4461005 | 5 | Terminal (Gold) (Deutz Engine Only) | |
| 533 | 4461006 | 5 | Seal, Terminal (Deutz Engine Only) | |
| 533 | 4461060 | 2 | Terminal (Tin) (Deutz Engine Only) | |
| 533 | 4461054 | 2 | Seal, Terminal (Deutz Engine Only) | |
| 533 | 4461053 | 1 | Cover, Plug (Deutz Engine Only) | |
| 533 | 4461008 | AR | Plug, Hole (Deutz Engine Only) | |
| 538 | 4460891 | 1 | Plug, Male - 2 Position (Caterpillar Engines Only) | |
| 538 | 4460465 | 2 | Socket, Female (Caterpillar Engines Only) | |
| 539 | 4460871 | AR | Socket, Female | |
| 544 | 4461157 | 1 | Receptacle, Female - 2 Position | |
| 544 | 4460979 | 2 | Pin, Male | |
| 544 | 4460458 | 2 | Seal, Terminal | |
| 548 | 4461121 | 1 | Plug, Male - 4 Position (GM Engine Only) | |
| 548 | 4461122 | 4 | Socket, Female (GM Engine Only) | |
| 548 | 4461123 | 4 | Seal, Terminal (GM Engine Only) | |
| 549 | 4460899 | 1 | Connector - 6 Position (Caterpillar Engines Only) | |
| 549 | 4460464 | 5 | Pin, Male (Caterpillar Engines Only) | |
| 549 | 4460466 | 1 | Seal, Plug (Caterpillar Engines Only) | |
| 551 | 4461124 | 1 | Receptacle, Female - 4 Position (GM Engine Only) | |
| 551 | 4460693 | 4 | Pin, Male (GM Engine Only) | |
| 551 | 4460608 | 4 | Seal, Terminal (GM Engine Only) | |
| 551 | 4461161 | 1 | Lock, Terminal (GM Engine Only) | |
| 553 | 2902443 | 1 | Kit, Receptacle (Deutz Engine Only) | |
| 553 | 4461071 | 8 | Terminal, Female (Gold) (Deutz Engine Only) | |
| 553 | 4461072 | 1 | Connector, Flange Mount (Deutz Engine Only) | |

SECTION 7 - ELECTRICAL

| ITEM | PART NUMBER | QTY | DESCRIPTION | REV |
|------|-------------|-----|--|-----|
| 553 | 4461073 | 1 | Connector, Dust Cap (Deutz Engine Only) | |
| 553 | 4461074 | 1 | Connector, Shell (Deutz Engine Only) | |
| 554 | 4461109 | 1 | Plug, Male - 16 Position (GM Engine Only) | |
| 554 | 4461111 | 7 | Pin, Male (GM Engine Only) | |
| 554 | 4461113 | 7 | Seal, Terminal (GM Engine Only) | |
| 554 | 4461222 | 9 | Plug, Cavity (GM Engine Only) | |
| | 1001108602 | Ref | GROUND CONTROL HARNESS ASSEMBLY | C |
| 616 | 4460536 | 1 | Connector, Female - 3 Position (Caterpillar/Deutz/GM Engines Only) | |
| 616 | 4460943 | 3 | Pin, Male (Caterpillar/Deutz/GM Engines Only) | |
| 621 | 3990010 | 2 | Diode - 6Amp (Not Shown) | |
| 624 | 4460434 | 2 | Plug, Male 15 - Position | |
| 624 | 4460227 | AR | Pin | |
| 626 | 4460873 | 1 | Plug, Male - 35 Position (Black) | |
| 626 | 4460871 | AR | Socket, Female | |
| 626 | 4460905 | AR | Plug, Seal | |
| 628 | 4120035 | 6 | Base, Light | |
| 628 | 4460634 | 7 | Terminal (16 Gauge) | |
| 628 | 4460635 | 5 | Terminal (12 Gauge) | |
| 634 | 4460418 | AR | Connector, Female - 6 Position | |
| 634 | 4460419 | AR | Socket, Female | |
| 638 | 4460871 | 9 | Socket, Female | |
| 639 | 4460876 | 1 | Plug, Male - 35 Position (Blue) | |
| 639 | 4460871 | AR | Socket, Female | |
| 639 | 4460905 | AR | Plug, Seal | |
| 643 | 4460866 | 1 | Connector - 19 Pin | |
| 643 | 4460464 | 10 | Pin, Male (16 Gauge) | |
| 643 | 4460508 | 3 | Pin, Male (12 Gauge) | |
| 644 | 4460878 | 1 | Housing, Terminal - 4 Position | |
| 644 | 4460887 | 3 | Terminal (12 Gauge) | |
| 650 | 4460761 | 1 | Connector, Female 4 - Position | |
| 650 | 4460227 | 4 | Pin, Male | |
| 655 | 8229242 | 2 | Fuse 5A | |
| 655 | 2400060 | 2 | Holder, Fuse | |
| 658 | 1001106339 | 1 | Connector, Male - 14 Position | |
| 658 | 4460871 | 2 | Socket, Female | |
| 658 | 4460905 | AR | Plug, Seal | |
| 659 | 1001106340 | 1 | Connector, Male - 14 Position | |
| 659 | 4460871 | 5 | Socket, Female | |
| 660 | 4460874 | 1 | Connector, Natural | |
| 660 | 4460871 | 10 | Socket, Female | |
| 660 | 4460905 | AR | Plug, Seal | |
| 661 | 4460875 | 1 | Connector, Gray | |
| 661 | 4460871 | 2 | Socket, Female | |
| 662 | 1001112612 | 1 | Connector - 9 Position | |
| 662 | 4460871 | 2 | Socket, Female | |
| | | Ref | STANDARD HARNESS COMPONENTS | |
| 701 | | Ref | Battery Cable Kit Options: | |
| 701 | 1001112763 | 1 | Caterpillar Engines Machines (2 Relays on Engine Tray) | A |
| 701 | 2902296 | 1 | Deutz Engines Machines (3 Relays on Engine Tray) | C |
| 701 | 2902531 | 1 | GM Engine Machines | A |
| 701A | | Ref | Cable, Battery (Red) Options: | |

SECTION 7 - ELECTRICAL

| ITEM | PART NUMBER | QTY | DESCRIPTION | REV |
|------|-------------|-----|---|-----|
| 701A | 7027028 | 1 | Caterpillar Engines Machines | |
| 701A | 1001116240 | 1 | Deutz Engines Machines | |
| 701A | 7027015 | 1 | GM Engine Machines | |
| 701B | | Ref | Cable, Battery (Black) Options: | |
| 701B | 7027029 | 1 | Caterpillar Engines Machines | |
| 701B | 7027004 | 1 | Deutz Engines Machines | |
| 701B | 7016822 | 1 | GM Engine Machines | |
| 701C | 7027002 | 1 | Cable (Red) | |
| 701D | | Ref | Cable (Black) Options: | |
| 701D | 7027033 | 1 | Caterpillar Engines Machines | |
| 701D | 7027003 | 1 | Deutz Engines Machines | |
| 704 | 1001112071 | 1 | Caterpillar Engine Harness Components (Caterpillar Engine Machines Only) | A |
| 704 | 70004318 | 1 | Fuse 5Amp (at Fuse Box F1) | |
| 704 | 70004319 | 3 | Fuse 10Amp (at Fuse Box F2, F3 & F4) | |
| 704 | 70004316 | 1 | Relay, Starter (at Fuse Box) | |
| 704 | 70004317 | 2 | Relay, Shut-Off and Glow Plug Control 25Amp (at Fuse Box) | |
| 704A | 4460894 | 1 | Plug, Male - 6 Position | |
| 704A | 4460465 | 5 | Socket, Female | |
| 704A | 4460466 | 1 | Seal, Plug | |
| 704B | 4460891 | 1 | Plug, Male - 2 Position | |
| 704B | 4460465 | 2 | Socket, Female | |
| 704C | 4460891 | 1 | Plug, Male - 2 Position | |
| 704C | 4460465 | 2 | Socket, Female | |
| 704D | 70020808 | 1 | Plug, Male - 23 Position | |
| 704D | 70020809 | 16 | Socket, Female | |
| 704E | See Note | NSS | Connector - 8 Position (Note: Not Available for Purchase) | |
| 704F | See Note | NSS | Connector - 5 Position (Note: Not Available for Purchase) | |
| 705 | See Note | Ref | Deutz Engine Harness Components (Deutz Engine Machines Only) (Note: Not Available for Purchase. See 705A-705D for Available Components) | |
| 705A | 7027796 | 1 | Deutz Engine Harness | |
| 705B | See Note | NSS | Receptacle, Female - 25 Position (Note: Not Available - Purchase Complete Harness) | |
| 705C | 7027793 | 1 | Plug-In, Connector | |
| 705D | 70001872 | 1 | Deutz Engine Harness (For other replacement parts refer to Deutz engine dealer) | |
| 708 | See Note | NSS | Fuel Pump Harness (Caterpillar Engines Only) (Note: Not Available for Purchase) | |
| 708A | 4460897 | 1 | Receptacle, Female - 2 Position (Caterpillar Engines Only) | |
| 708A | 4460464 | 2 | Pin, Male (Caterpillar Engines Only) | |
| 710 | See Note | NSS | Pump Harness (Note: Not Available for Purchase) | |
| 710A | 7007497 | 1 | Plug (Pump End) | |
| 710B | 7007498 | 1 | Plug (Engine Harness End) | |
| 711 | See Note | NSS | Controller Harness Assembly (Lift and Swing) (Note: Purchase Complete Controller) | |
| 711A | 7022819 | 1 | Plug, Male - 8 Position (Natural) | |
| 711A | 4460871 | 8 | Socket, Female | |
| 712 | See Note | NSS | Controller Harness/Circuit Board Assembly (Drive and Steer) (Note: Purchase Complete Controller) | |
| 712A | 7022825 | 1 | Plug, Male - 8 Position (Black) | |
| 712A | 4460871 | 7 | Socket, Female | |
| 713 | See Note | NSS | Controller Harness (Speed Control) (Note: Purchase Complete) | |

SECTION 7 - ELECTRICAL

| ITEM | PART NUMBER | QTY | DESCRIPTION | REV |
|------|-------------|-----------------|--|-----|
| | | | Controller) | |
| 713A | 4460224 | 1 | Receptacle, Female - 6 Position | |
| 713A | 4460226 | 6 | Socket, Female | |
| 714 | See Note | AR | GM Engine Harness Components (GM Engine Machines Only) (Note: Not Available for Purchase) | |
| 715 | 4923379 | 1 | Harness, Glow Plugs (Deutz Engine Machines Only) | B |
| 716 | 4360517 | 1 | Switch, Proximity | |
| 716A | 4460320 | 1 | Connector - 2 Position | |
| 716A | 4460227 | 2 | Pin, Male | |
| | | Ref | OPTIONAL HARNESS COMPONENTS | |
| 801 | 4921927 | 1 | Jib Valve Harness (660SJ Only) | 3 |
| 801A | 4460326 | 1 | Plug, Male - 3 Position | |
| 801B | 4460267 | 3 | Pin, Male | |
| 801C | 4460499 | 2 | Connector, DIN with Diode | |
| 802 | 4921928 | 1 | 4WS Valve Harness | 3 |
| 802A | 4460268 | 3 | Socket, Female | |
| 802B | 4460445 | 1 | Connector, Female - 3 Position | |
| 802C | 4460499 | 2 | Connector, DIN with Diode | |
| 803 | 0257887 | 1 | Alarm Harness (Includes Alarm) | |
| 803 | 0140032 | 1 | Alarm | |
| 803 | 2820035 | 6 in/15cm | Loom | |
| 803A | 4460424 | 1 | Plug, Male - 2 Position | |
| 803B | 4460268 | 2 | Socket, Female | |
| 804 | | Ref | Strobe Light Harness Options (Includes Strobe Light): | B |
| 804 | 0272507 | 1 | USA Built Machines (SN 0300087000 through 0300169422) | |
| 804 | 2920161 | 1 | USA Built Machines (SN 0300169423 through 0300171769) | |
| 804 | 0272507 | 1 | China Built Machines (SN B300000100 through B300000969) | |
| 804A | 4460320 | 1 | Connector, Female - 2 Position (0272507 Strobe Light) | |
| 804A | 4460267 | 2 | Pin, Male (0272507 Strobe Light) | |
| 804A | 4460891 | 1 | Plug, Male - 2 Position (2920161 Strobe Light) | |
| 804A | 4460465 | 2 | Socket, Female (2920161 Strobe Light) | |
| 804B | 1001149818 | 1 | Strobe Light Extension Harness (USA Built Machines Only) (SN 0300169423 through 0300171769) | |
| 804C | 4460897 | 1 | Receptacle, Female - 2 Position | |
| 804C | 4460464 | 2 | Pin, Male | |
| 804D | 4460320 | 2 | Plug, Male - 2 Position | |
| 804D | 4460267 | 4 | Pin, Male | |
| 805 | See Note | NSS | Headlight and Taillight/Chassis Illumination Harness (Note: Not Available for Purchase) | |
| 805 | 1060341 | AR | Cable, Electrical 16/2 Options: | |
| 805 | 1060341 | 37 ft /11.3m | Headlights and Taillights | |
| 805 | 1060341 | 40 ft /12.2m | Chassis Illumination Lights | |
| 805A | 3740049 | 1 | Relay | |
| 805A | 4460259 | 3 | Terminal | |
| 805A | 4460260 | 4 | Housing, Terminal | |
| 805A | 4460297 | 1 | Terminal | |
| 805A | 4922643 | 1 | Lights Harness for Ground Control Box | 1-A |
| 805A | 4460226 | 2 | Socket, Female | |
| 806 | | Ref | 2500W Generator Electrical Components | |
| 806 | 1001112743 | AR | 50Hz (Caterpillar and Deutz Engines) | B |

SECTION 7 - ELECTRICAL

| ITEM | PART NUMBER | QTY | DESCRIPTION | REV |
|------|-------------|----------|---|-----|
| 806 | 1001112588 | AR | 60Hz (Caterpillar and Deutz Engines) | A |
| 806 | 4933350 | AR | 60Hz (GM Engine) | B |
| 806A | 4922641 | 1 | Harness - On/Off Switch | A |
| 806B | 4460226 | 2 | Socket, Female | |
| 806C | | Ref | Harness, Powermite Control Box to Relay Options: | |
| 806C | 1001112589 | 1 | Caterpillar and Deutz Engines | A |
| 806C | 4923445 | 1 | GM Engine | A |
| 806D | 4460374 | 1 | Connector, Seal Relay | |
| 806D | 4460705 | 4 | Terminal | |
| 806E | 4460742 | 1 | Connector, Male - 2 Position | |
| 806E | 4460743 | 2 | Socket, Female | |
| 806E | 4460458 | 2 | Seal | |
| 806F | 4460321 | 1 | Connector, Male - 4 Position (60Hz Only) | |
| 806F | 4460906 | 4 | Socket, Female (60Hz Only) | |
| 806G | 4460027 | 1 | Receptacle, Twist Lock (110V Only) | |
| 806H | 7020193 | 1 | Harness, Generator Power | |
| 806J | 4460961 | 1 | Connector, Female - 4 Position | |
| 806J | 4460705 | 4 | Pin, Male | |
| 807 | | Ref | Generator to Rear of Boom Harness Options: | |
| | | Ref | Note: Harness used to connect AC at platform harness to generator receptacle to power platform receptacle. | |
| 807 | 4921827 | 1 | 110V (ANSI, ANSI Export, Latin America and Japanese Specs) | 2 |
| 807 | 1060494 | 20 ft/6m | Cable, Electrical - 12/3 | |
| 807A | 4460205 | 1 | Plug, Male | |
| 807A | 4460027 | 1 | Receptacle, Twist Lock (110V Only) | |
| 807B | 4460134 | 1 | Receptacle, Female | |
| 808 | | Ref | AC to Platform Receptacle Components Options: | |
| 808 | 0256113 | Ref | 110V/60Hz GFI Receptacle (ANSI, ANSI Export and Japanese Specs) | B |
| 808 | 0256201 | Ref | 110V/50Hz Receptacle (Plug and Receptacle Supplied Locally) (Australian, Brazilian, Latin America Specs) | B |
| 808 | 0257175 | Ref | 220V Receptacle (ANSI and ANSI Export Specs) | B |
| 808 | | Ref | CE Specs Options Only (CE Spec are USA Built Machines): | |
| 808 | | Ref | Without Generator: | |
| 808 | 0256201 | Ref | 110V/50Hz Receptacle (Plug and Receptacle Supplied Locally) | B |
| 808 | 0273076 | Ref | 110V/50Hz Receptacle (See AC CABLES INSTALLATION (CE GERMAN AND CE UK SPECS) for Components) | A |
| 808 | 0273078 | Ref | CE Germany Specs (See AC CABLES INSTALLATION (CE GERMAN AND CE UK SPECS) for Components) | A |
| 808 | 0275455 | Ref | 220V with CEE7 Post Ground Receptacle and Plug and Circuit Breaker (2x4 Box) | D |
| 808 | 0275456 | Ref | 220V with CEE7 Side Ground Receptacle and Plug and Circuit Breaker (2x4 Box) | D |
| 808 | 0275659 | Ref | 220V with AFSINT 107 Keyed Ground Receptacle and Plug and Circuit Breaker (2x4 Box) | D |
| 808 | 0275235 | Ref | 110V with IEC Yellow Receptacle and Plug and Circuit Breaker | D |
| 808 | 0275254 | Ref | 220V with IEC Blue Receptacle and Plug and Circuit Breaker | D |
| 808 | 0275237 | Ref | 220V with CEE7 Post Ground Receptacle and Plug and Circuit Breaker (70mm x 70mm Box) | D |
| | 0275253 | Ref | 220V with CEE7 Side Ground Receptacle and Plug and Circuit Breaker (70mm x 70mm Box) (Use p/n 1001153312) | A-D |
| 808 | | Ref | With Generator: | |

SECTION 7 - ELECTRICAL

| ITEM | PART NUMBER | QTY | DESCRIPTION | REV |
|------|--------------|-----|--|-----|
| 808 | 1001100390 | Ref | 220V with CEE7 Post Ground Receptacle and Plug and Circuit Breaker (2x4 Box) | D |
| 808 | 1001100391 | Ref | 220V with CEE7 Side Ground Receptacle and Plug and Circuit Breaker (2x4 Box) | D |
| 808 | 1001100392 | Ref | 220V with AFSINT 107 Keyed Ground Receptacle and Plug and Circuit Breaker (2x4 Box) | C |
| 808 | 1001100393 | Ref | 110V with IEC Yellow Receptacle and Plug and Circuit Breaker | C |
| 808 | 1001100394 | Ref | 220V with IEC Blue Receptacle and Plug and Circuit Breaker | C |
| 808 | 1001100395 | Ref | 220V with CEE7 Post Ground Receptacle and Plug and Circuit Breaker (70mm x 70mm Box) | C |
| 808 | 1001100396 | Ref | 220V with CEE7 Side Ground Receptacle and Plug and Circuit Breaker (70mm x 70mm Box) | C |
| 808A | | Ref | Box, Switch Options: | |
| 808A | 0860038 | 1 | 0256113 & 0257175 Installations | |
| 808A | Not Required | 0 | 0256201 Installation (Purchase Locally) | |
| 808A | 0861731 | 1 | 0275455, 0275456, 0275659, 1001100390, 1001100391 & 1001100392 Installations | |
| 808A | 0861781 | 1 | 0275235, 0275254, 1001100393 & 1001100394 Installations | |
| 808A | 0861782 | NLA | 0275237, 0275253, 1001100395, 1001100396 & 1001153312 Installations (Note: Use p/n 1001100344 CEE7 Side Ground Service Kit or p/n 1001100343 CEE7 Post Ground Service Kit. Kit include Box p/n 1001141967 & Items 808B, 808C, 808E & 808M) | |
| 808A | 1001141967 | 1 | 1001100343, 1001100344, 1001141970 & 1001141971 Kits | |
| 808B | | Ref | Receptacle Options: | |
| 808B | 4460346 | 1 | 0256113 Installation | |
| 808B | 4460125 | 1 | 0257175 Installation | |
| 808B | Not Required | 0 | 0256201 Installation (Purchase Locally) | |
| 808B | 4461244 | 1 | 0275455 & 1001100390 Installations | |
| 808B | 4461245 | 1 | 0275456 & 1001100391 Installations | |
| 808B | 4461246 | 1 | 0275659 & 1001100392 Installations | |
| 808B | 4461198 | 1 | 0275235 & 1001100393 Installations | |
| 808B | 4461201 | 1 | 0275254 & 1001100394 Installations | |
| 808B | 4461204 | NLA | 0275237 & 1001100395 Installations (Use p/n 100110343) | |
| 808B | 4461207 | NLA | 0275253, 1001100396 & 1001153312 Installations (Use p/n 1001100344) | |
| 808B | 1001141968 | 1 | 1001100343 & 1001141971 Kits | |
| 808B | 1001141969 | 1 | 1001100344 & 1001141970 Kits | |
| 808C | | Ref | Shield, Cover Options: | |
| 808C | 4060700 | 1 | 0256113 Installation (SN 0300087000 through 0300138240) | |
| 808C | 1001110873 | 1 | 0256113 Installation (SN 0300138241 through 0300171769) | |
| 808C | 4060092 | 1 | 0257175 Installation | |
| 808C | Not Required | 0 | 0256201 Installation (Purchase Locally) | |
| 808C | 4461244 | 1 | 0275455 & 1001100390 Installations | |
| 808C | 4461245 | 1 | 0275456 & 1001100391 Installations | |
| 808C | 4461246 | 1 | 0275659 & 1001100392 Installations | |
| 808C | 4461198 | 1 | 0275235 & 1001100393 Installations | |
| 808C | 4461201 | 1 | 0275254 & 1001100394 Installations | |
| 808C | 4461204 | NLA | 0275237 & 1001100395 Installations (Use p/n 1001100343) | |

SECTION 7 - ELECTRICAL

| ITEM | PART NUMBER | QTY | DESCRIPTION | REV |
|------|--------------|-----|--|-----|
| 808C | 4461207 | NLA | 0275253, 1001100396 & 1001153312 Installations (Use p/n 1001100344) | |
| 808C | 1001141968 | 1 | 1001100343 & 1001141971 Kits | |
| 808C | 1001141969 | 1 | 1001100344 & 1001141970 Kits | |
| 808D | | Ref | Connector, Strain Relief Options: | |
| 808D | 4460071 | 1 | 0256113 & 0257175 Installations | |
| 808D | Not Required | 0 | 0256201 Installation (Purchase Locally) | |
| 808D | 4460968 | 1 | 0275455, 0275456, 0275659, 0275235, 0275254, 0275237, 0275253, 1001100390, 1001100391, 1001100392, 1001100393, 1001100394, 1001100395, 1001100396 & 1001153312 Installations | |
| 808E | | Ref | Plug, Male Options: | |
| 808E | 4460205 | 1 | 0256113 Installation | |
| 808E | 4460233 | 1 | 0257175 Installation | |
| 808E | See Note | NLA | 0256201 Installation (Note: Not Available - Purchase Locally) | |
| 808E | 4461202 | 1 | 0275237, 0275455, 1001100390 & 1001100395 Installations & 1001100343 & 1001141971 Kits | |
| 808E | 4461205 | 1 | 0275453, 0275256, 1001100391 & 1001100396 Installations & 1001100344 & 1001141970 Kits | |
| 808E | 4461249 | 1 | 0275659 & 1001100392 Installations | |
| 808E | 4461196 | 1 | 0275235 & 1001100393 Installations | |
| 808E | 4461199 | 1 | 0275254 & 1001100394 Installations | |
| 808F | | Ref | Hardware Options: | |
| 808F | 0641405 | AR | Bolt 1/4in - 20NC x 5/8in | |
| 808F | 0641407 | AR | Bolt 1/4in - 20NC x 7/8in | |
| 808F | 0641410 | AR | Bolt 1/4in - 20NC x 1-1/4in | |
| 808F | 0641416 | AR | Bolt 1/4in - 20NC x 2in | |
| 808F | 0700408 | AR | Screw M4 x 16mm | |
| 808F | 3290405 | AR | Locknut M4 | |
| 808F | 3311405 | AR | Locknut 1/4in - 20NC | |
| 808F | 4711400 | AR | Flatwasher 1/4in (Narrow) | |
| 808F | 4811400 | AR | Flatwasher M4 | |
| 808F | 1320149 | AR | Clamp, Stauff | |
| 808F | 0100011 | AR | Compound, Locking | |
| 808G | | Ref | Bracket, Receptacle Box Mounting Options: | |
| 808G | Not Required | 0 | 0256113, 0257175 & 0256201 Installations | |
| 808G | 0903484 | 1 | 0275455, 0275456, 0275659, 0275235, 0275254, 0275237, 0275253, 1001100390, 1001100391, 1001100392, 1001100393, 1001100394, 1001100395, 1001100396 & 1001153312 Installations | |
| 808H | | Ref | Bracket, Circuit Breaker Mounting Options: | |
| 808H | Not Required | 0 | 0256113, 0257175 & 0256201 Installations | |
| 808H | 0903611 | 1 | 0275455, 0275456, 0275659, 0275235, 0275254, 0275237, 0275253, 1001100390, 1001100391, 1001100392, 1001100393, 1001100394, 1001100395 & 1001100396 Installations | |
| 808H | 1001152486 | 1 | 1001153312 Installation | |
| 808J | | Ref | Kit, Box and Breaker (Required Only on CE Spec Installations except 0256201 Installation): | |
| 808J | 2902549 | AR | Without Generator | D |
| 808J | 1001096070 | AR | With 110V Generator | D |
| 808J | 1001109554 | AR | With 220V Generator | B |
| 808J | | Ref | Circuit Breaker Options: | |

SECTION 7 - ELECTRICAL

| ITEM | PART NUMBER | QTY | DESCRIPTION | REV |
|------|-------------|------------|---|-----|
| 808J | | Ref | Without Generator | |
| 808J | 2400093 | NLA | Circuit Breaker, 16Amp/30mAmp Combination (Use p/n 1001181045) (SN 0300087000 through 0300136310) | |
| 808J | 1001109475 | NLA | Circuit Breaker, 16Amp (Use p/n 1001181045 16Amp/30mAmp Combination) (SN 0300136311 through 0300171769) | |
| 808J | 1001109482 | NLA | Circuit Breaker, 30mAmp (Use p/n 1001181045 16Amp/30mAmp Combination) (SN 0300136311 through 0300171769) | |
| 808J | | Ref | With 110V Generator | |
| 808J | 1001109475 | NLA | Circuit Breaker, 16Amp (Use p/n 1001181045 16Amp/30mAmp Combination) | |
| 808J | 1001109482 | NLA | Circuit Breaker, 30mAmp (Use p/n 1001181045 16Amp/30mAmp Combination) | |
| 808J | | Ref | With 220V Generator | |
| 808J | 1001109477 | NLA | Circuit Breaker, 10Amp (Use p/n 1001181046 10Amp/30mAmp Combination) | |
| 808J | 1001109482 | NLA | Circuit Breaker, 30mAmp (Use p/n 1001181046 10Amp/30mAmp Combination) | |
| 808J | 0861880 | 1 | Breaker Box | |
| 808J | 4460956 | 1 | Barrier, Terminal Block End | |
| 808J | 4460957 | 1 | Block, Terminal | |
| 808K | | Ref | Connector, Strain Relief Options (Required Only on CE Spec Installations except 0256201 Installation): | |
| 808K | 4460633 | 2 | M20 Thread | |
| 808K | 1001097150 | 2 | M25 Thread | |
| 808L | 1060908 | AR | Cable, Extension (Required Only on CE Spec Installations except 0256201 Installation) | |
| 808L | 1060908 | 6 ft/1.8m | Without Generator | |
| 808L | 1060908 | 12 ft/3.6m | With Generator | |
| 808M | | Ref | Receptacle, Female Options: | |
| 808M | 4461203 | 1 | 1001100390 & 1001100395 Installations & 1001100343 & 1001141971 Kits | |
| 808M | 4461206 | 1 | 1001100391 & 1001100396 Installations & 1001100344 & 1001141970 Kits | |
| 808M | 4461250 | 1 | 1001100392 Installation | |
| 808M | 4461197 | 1 | 1001100393 Installation | |
| 808M | 4461200 | 1 | 1001100394 Installation | |
| | 0275452 | 1 | Receptacle Box Kit (220V CEE7 Post Ground) (Includes Items 808A, 808B, 808C & 808E) (0275455 Installation) | 1 |
| | 1001100345 | 1 | Receptacle Box Kit (220V CEE7 Post Ground) (Includes Items 808A-808C, 808E & 808M) (1001100390 Installation) | 2 |
| | 0275453 | 1 | Receptacle Box Kit (220V CEE7 Side Ground) (Includes Items 808A, 808B, 808C & 808E) (0275456 Installation) | 1 |
| | 1001100347 | 1 | Receptacle Box Kit (220V CEE7 Side Ground) (Includes Items 808A-808C, 808E & 808M) (1001100391 Installation) | 3 |
| | 0275454 | 1 | Receptacle Box Kit (220V AFSINT 107 Keyed Ground) (Includes Items 808A, 808B, 808C & 808E) (0275659 Installation) | 1 |
| | 1001100346 | 1 | Receptacle Box Kit (220V AFSINT 107 Keyed Ground) (Includes Items 808A-808C, 808E & 808M) (1001100392 Installation) | 2 |
| | 0275216 | 1 | Receptacle Box Kit (110V IEC Yellow) (Includes Items 808A, 808B, 808C & 808E) (0275235 Installation) | 1 |
| | 1001100341 | 1 | Receptacle Box Kit (110V IEC Yellow) (Includes Items 808A-808C, 808E & 808M) (1001100393 Installation) | 2 |

SECTION 7 - ELECTRICAL

| ITEM | PART NUMBER | QTY | DESCRIPTION | REV |
|------|-------------|----------|--|-----|
| | 0275217 | 1 | Receptacle Box Kit (220V IEC Blue) (Includes Items 808A, 808B, 808C & 808E) (0275254 Installation) | 1 |
| | 1001100342 | 1 | Receptacle Box Kit (220V IEC Blue) (Includes Items 808A-808C, 808E & 808M) (1001100394 Installation) | 2 |
| | 0275218 | NLA | Receptacle Box Kit (220V CEE7 Post Ground) (Includes Items 808A-808C, 808E & 808M) (0275237 Installation) (Use p/n 1001100343) | B |
| | 1001091971 | NLA | Receptacle Box Kit (220V CEE7 Post Ground) (Includes Items 808A-808C, 808E & 808M) (1001100395 Installation) (Use p/n 1001100343 Kit) | B |
| | 0275219 | NLA | Receptacle Box Kit (220V CEE7 Side Ground) (Includes Items 808A-808C, 808E & 808M) (0275253 & 1001153312 Installations) (Use p/n 1001100344) | B |
| | 1001091970 | NLA | Receptacle Box Kit (220V CEE7 Side Ground) (Includes Items 808A-808C, 808E & 808M) (1001100396 Installation) (Use p/n 1001100344 Kit) | B |
| 809 | | Ref | 7500W SkyPower Generator Installation | |
| 809 | 1001115398 | Ref | 60Hz and Caterpillar Engine | A |
| 809 | 1001115400 | Ref | 50Hz Spec and Caterpillar Engine | A |
| 809 | 1001115387 | Ref | 60Hz and Deutz Engine | A |
| 809 | 1001115393 | Ref | 60Hz and Deutz Engine (Brazilian Spec Only) | A |
| 809 | 1001115389 | Ref | 50Hz and Deutz Engine | A |
| 809 | 0275257 | Ref | 60Hz and GM Engine | E |
| | | Ref | Note: SkyPower Generator is Standard On ANSI and CSA Specs. Optional on All Other Specs. | |
| 809A | | Ref | Receptacle, Female Twist-Lock Options: | |
| 809A | 4460958 | 1 | 60Hz Spec | |
| 809A | See Note | NLA | 50Hz Spec (Note: Not Available - Purchase Locally) | |
| 809B | | Ref | Gasket Options: | |
| 809B | 3960422 | 2 | 60Hz Spec | |
| 809B | See Note | NLA | 50Hz Spec (Note: Not Available - Purchase Locally) | |
| 809C | | Ref | Cover, Receptacle Options: | |
| 809C | 1001110873 | 1 | 60Hz Spec | |
| 809C | See Note | 1 | 50Hz Spec (Note: Not Available - Purchase Locally) | |
| 809D | | Ref | Cover, Receptacle Options: | |
| 809D | 1001110872 | 1 | 60Hz Spec | |
| 809D | See Note | NLA | 50Hz Spec (Note: Not Available - Purchase Locally) | |
| 809E | | Ref | Receptacle Options: | |
| 809E | 4460346 | 1 | 60Hz Spec | |
| 809E | See Note | NLA | 50Hz Spec (Note: Not Available - Purchase Locally) | |
| 809F | 4460051 | 1 | Connector, Strain Relief | |
| 809G | 4460071 | 1 | Connector, Strain Relief | |
| 809H | 4922925 | 1 | Harness, Generator | |
| 809I | See Note | NSS | Plug, Male - 6 Position (Note: Not Available for Purchase) | |
| 809I | See Note | NSS | Socket, Female (Note: Not Available for Purchase) | |
| 809J | 4460225 | 1 | Plug, Male - 6 Position | |
| 809J | 4460226 | 6 | Socket, Female | |
| 810 | | Ref | 7500W SkyPower Generator Junction Box Components | |
| 810 | 0861542 | Ref | 60Hz Spec | C |
| 810 | 0861567 | Ref | 50Hz Specs | B |
| 810A | | Ref | Cable, Electrical 12/3 | |
| 810A | 1060494 | 2 ft/.6m | 60Hz Spec | |
| 810A | See Note | 2 ft/.6m | 50Hz Spec (Note: Not Available - Purchase Locally) | |
| 810B | | Ref | Cable, Electrical 10/3 | |

SECTION 7 - ELECTRICAL

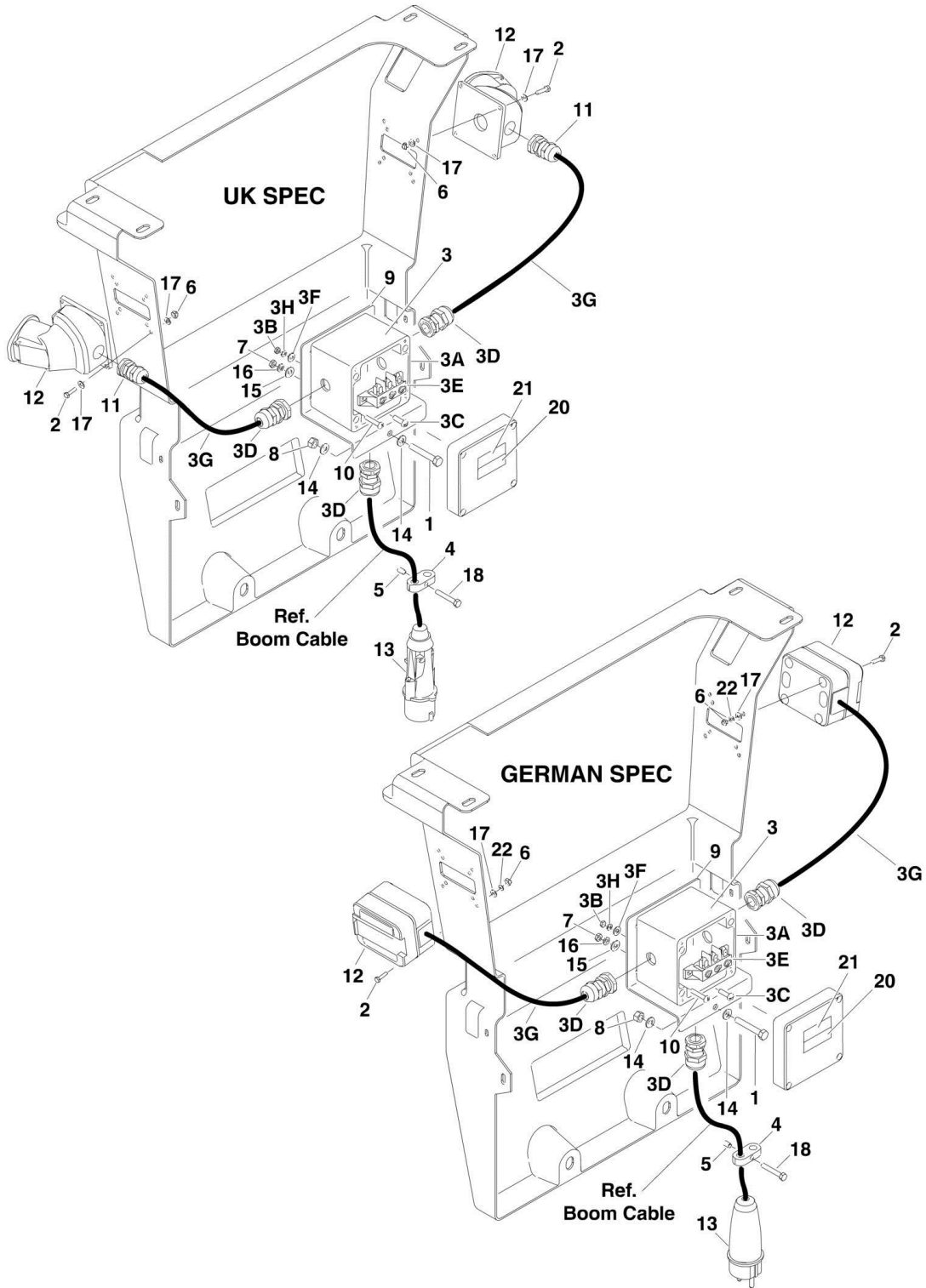
| ITEM | PART NUMBER | QTY | DESCRIPTION | REV |
|------|-------------|------------------|--|-----|
| 810B | 1060708 | 2.5 ft /0.76m | 60Hz Spec | |
| 810B | See Note | 2.5 ft/0.76m | 50Hz Spec (Note: Not Available - Purchase Locally) | |
| 810C | 1060343 | 1.5 ft /0.46m | Cable, Electrical 10/4 (60Hz Spec Only) | |
| 810D | 4460425 | 2 | Connector, Strain Relief | |
| 810E | | Ref | Component Options: | |
| 810E | 4460426 | 2 | Connector, Strain Relief (60Hz Spec Only) | |
| 810E | 4460426 | 1 | Connector, Strain Relief (50Hz Spec Only) | |
| 810E | 3520189 | 1 | Plug (50Hz Spec Only) | |
| 810F | 1671092 | 1 | Cover (60Hz Spec Only) | |
| 810F | 4460963 | 1 | Connector (60Hz Spec Only) | |
| 811 | | Ref | 7500W Generator Electrical Diagram Components | |
| 811 | 1001112586 | Ref | Caterpillar and Deutz Engine Machines | A |
| 811 | 4933349 | Ref | GM Engine Machines | 1-A |
| 811A | | Ref | Generator Harness Options: | |
| 811A | 1001112587 | 1 | Caterpillar and Deutz Engine Machines (USA Built Machines) | A |
| 811A | 1001152429 | 1 | Caterpillar and Deutz Engine Machines (China Built Machines) | C |
| 811A | 4923420 | 1 | GM Engine Machines | A |
| 811B | 4460374 | 2 | Plug, Sealed Relay | |
| 811B | 4460375 | 7 | Terminal | |
| 811C | 4460967 | 1 | Plug, Male - 3 Position | |
| 811C | 4460465 | 3 | Socket, Female | |
| 811D | 2400060 | 1 | Fuseholder | |
| 811D | 2400064 | 1 | Fuse - 5Amp | |
| 811E | 4922641 | 1 | Switch Harness | |
| 811F | 4460226 | 2 | Socket, Female | |
| 811G | 4460742 | 1 | Plug, Male - 2 Position | |
| 811G | 4460743 | 2 | Socket, Female | |
| 812 | 4933313 | 1 | Floodlights Harness Components | 1-A |
| 812A | 4460320 | 2 | Plug, Male - 2 Position | |
| 812A | 4460227 | 4 | Pin, Male | |
| 812B | 4922764 | 1 | Floodlight Harness (Lights to Switch) | 1-A |
| 812C | 4460424 | 2 | Connector, Female - 2 Position | |
| 812C | 4460226 | 4 | Socket, Female | |
| 812D | 4360232 | 1 | Circuit Breaker - 15Amp | |
| 812E | 1060977 | 1 | Cord, 2 Wire Coiled (Console Box Circuit Breaker to Switch) | |
| 812F | 4460425 | 1 | Connector, Strain Relief | |
| 812G | | Ref | Harness, Console Box to Aux Relay Options: | |
| 812G | 4922888 | 1 | Harness, Console Box to Aux Relay 600S Harness (77ft/23.5m of 12/3 Cable P/N 1060494) | |
| 812G | 4922964 | 1 | Harness, Console Box to Aux Relay 660SJ Harness (83ft/25.4m of 12/3 Cable P/N 1060494) | |
| 813 | | Ref | Platform Worklights Components | |
| 813A | 2920140 | 2 | Platform Worklights External Harness (Includes Light and Wire Only) | |
| 813B | 4460426 | 1 | Connector, Strain Relief | |
| 813C | 2400070 | 1 | Fuse | |
| 813C | 2400066 | 1 | Holder, Fuse | |
| 813D | | Ref | Harness, Console Box to Aux Relay Options: | |
| 813D | 4922888 | 1 | Harness, Console Box to Aux Relay 600S Harness (77ft/23.5m | |

SECTION 7 - ELECTRICAL

| ITEM | PART NUMBER | QTY | DESCRIPTION | REV |
|------|-------------|-----|---|-----|
| 813D | 4922964 | 1 | of 12/3 Cable P/N 1060494) Harness, Console Box to Aux Relay 660SJ Harness (83ft/25.4m of 12/3 Cable P/N 1060494) | |
| | | Ref | TOOLS | |
| 901 | 7002821 | 1 | Crimper (For Wire to Pin/Socket Connections) (Not Shown) | |
| 902 | 7002823 | 1 | Extractor (For Removal of Pin/Socket from Connectors) (Not Shown) | |
| 903 | 4460467 | 1 | Extractor, Pin (Blue 16-18 Gauge) (For Removal of Pin/Socket from Connectors) (Not Shown) | |
| 904 | 4460510 | 1 | Extractor, Pin (Yellow 12-14 Gauge) (For Removal of Pin/Socket from Connectors) (Not Shown) | |
| 905 | 7002828 | 1 | Stripper, Wire (Not Shown) | |
| 906 | 2901443 | 1 | Analyzer Kit (Not Shown) | |
| 906A | 1600244 | 1 | Analyzer | |
| 906B | 1060633 | 1 | Cable, Analyzer | 1-A |
| 906C | 4460321 | 2 | Plug, Male | |
| 906C | 4460226 | 8 | Socket, Female | |

SECTION 7 - ELECTRICAL

FIGURE 7-4. AC CABLES INSTALLATION (CE GERMAN AND CE UK SPECS)



SECTION 7 - ELECTRICAL

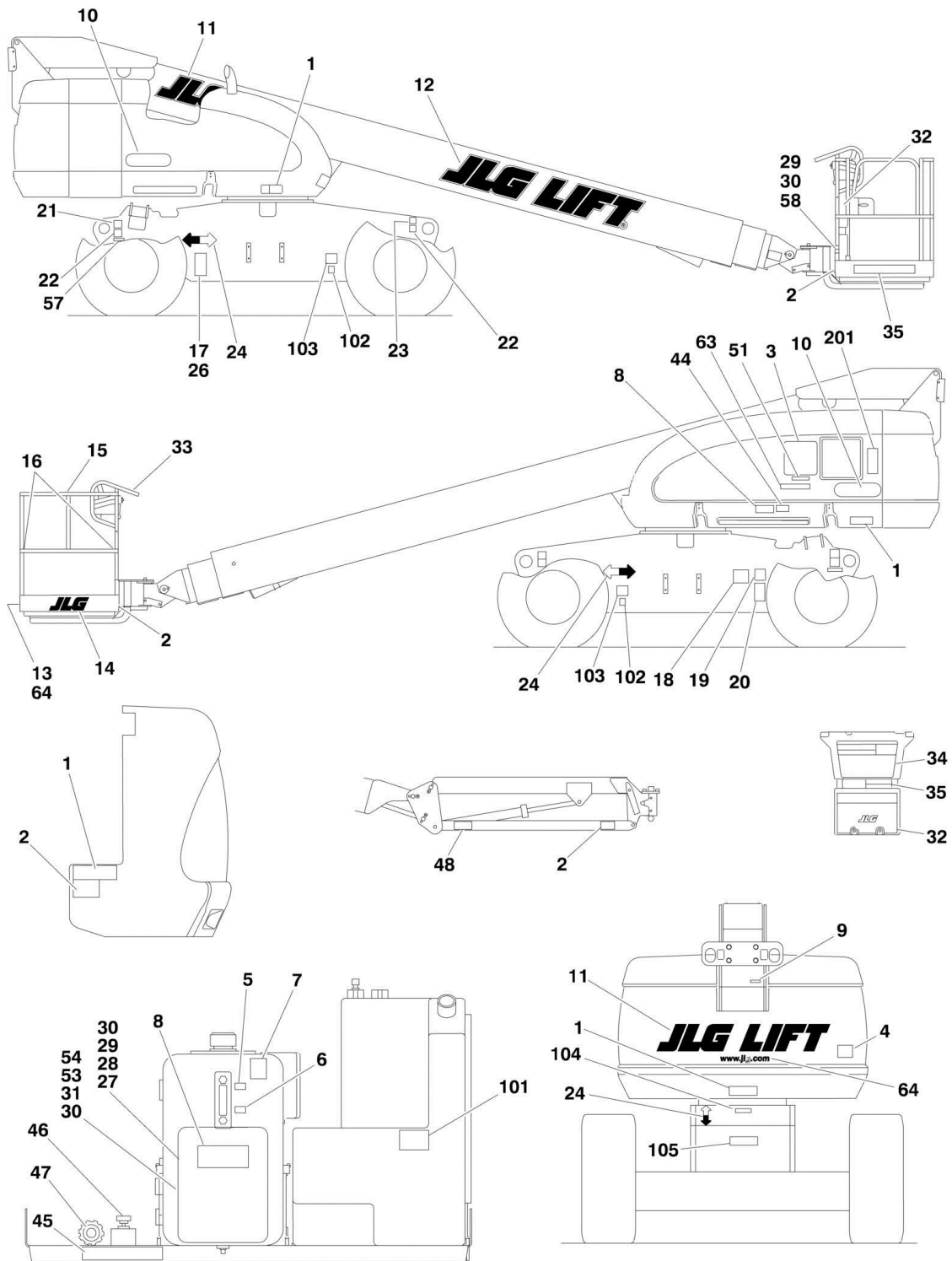
FIGURE 7-4. AC CABLES INSTALLATION (CE GERMAN AND CE UK SPECS)

| ITEM | PART NUMBER | QTY | DESCRIPTION | REV |
|------|-------------|-----|---|-----|
| | | Ref | Note: Available Only on USA Built Machines | |
| | | Ref | AC CABLES INSTALLATIONS | |
| | 0273076 | Ref | UK Spec | B |
| | 0273078 | Ref | German Spec | B |
| 1 | 0641516 | 1 | Bolt 5/16in-18NC x 2in | |
| 2 | | Ref | Bolt Options: | |
| 2 | 0700408 | 8 | Bolt (Metric) 4mm x 16mm (UK Spec) | |
| 2 | 3910808 | 8 | Bolt #8-32NC x 1/2in (German Spec) | |
| 3 | 0861606 | 1 | Junction Box Assembly | |
| 3A | 0861604 | 1 | Box, Junction | |
| 3B | 3311001 | 2 | Nut #10-24NC | |
| 3C | 3911010 | 2 | Screw #10-24NC x 5/8in | |
| 3D | 4460968 | 3 | Connector, Strain Relief | |
| 3E | 4460987 | 1 | Terminal | |
| 3F | 4751000 | 2 | Flatwasher #10 (Wide) | |
| 3G | 4922909 | 2 | Harness | |
| 3H | 4761000 | 2 | Lockwasher #10 | |
| 4 | 1320149 | 1 | Clamp | |
| 5 | | Ref | Hardware Options: | |
| 5 | 2080046 | 1 | Rivnut (SN 0300087000 through 0300117083) | |
| 5 | 0100011 | AR | Compound, Locking (SN 0300117084 through 0300171769) | |
| 6 | | Ref | Nut Options: | |
| 6 | 3290405 | 8 | Locknut (Metric) 4mm x.7 (UK Spec) | |
| 6 | 3310801 | 8 | Nut #8-32NC (German Spec) | |
| 7 | 3311001 | 4 | Nut #10-24NC | |
| 8 | 3311505 | 1 | Locknut 5/16in-18NC | |
| 9 | 3574443 | 1 | Plate, Box Bracket | |
| 10 | 3911016 | 4 | Screw #10-24NC x 1in | |
| 11 | 4460968 | 2 | Connector, Strain Relief (UK Spec Only) | |
| 12 | | Ref | Terminal Options: | |
| 12 | 4460988 | 2 | Plug, Female - UK Spec | |
| 12 | 4460997 | 2 | Receptacle - German Spec | |
| 13 | | Ref | Plug Options: | |
| 13 | 4460990 | 1 | UK Spec | |
| 13 | 4460998 | 1 | German Spec | |
| 14 | 4711500 | 2 | Flatwasher 5/16in (Narrow) | |
| 15 | 4751000 | 4 | Flatwasher #10 | |
| 16 | 4761000 | 4 | Lockwasher #10 | |
| 17 | | Ref | Flatwasher (Metric) 4mm | |
| 17 | 4811400 | 16 | Flatwasher (Metric) 4mm (UK Spec) | |
| 17 | 4750800 | 8 | Flatwasher #8 (Wide) (German Spec) | |
| 18 | 0641410 | 1 | Bolt 1/4in-20NC x 1-1/4in | |
| 20 | 1705714 | 1 | Decal - Danger | |
| 21 | 1705715 | 1 | Decal - 115V AC | |
| 22 | 4760800 | 8 | Lockwasher #8 (German Spec Only) | |

SECTION 8 - DECALS

SECTION 8 - DECALS

FIGURE 8-1. DECAL INSTALLATION (ANSI SPEC) (USA BUILT MACHINES) (SN 0300087000 through 0300087911)



SECTION 8 - DECALS

FIGURE 8-1. DECAL INSTALLATION (ANSI SPEC) (USA BUILT MACHINES) (SN 0300087000 through 0300087911)

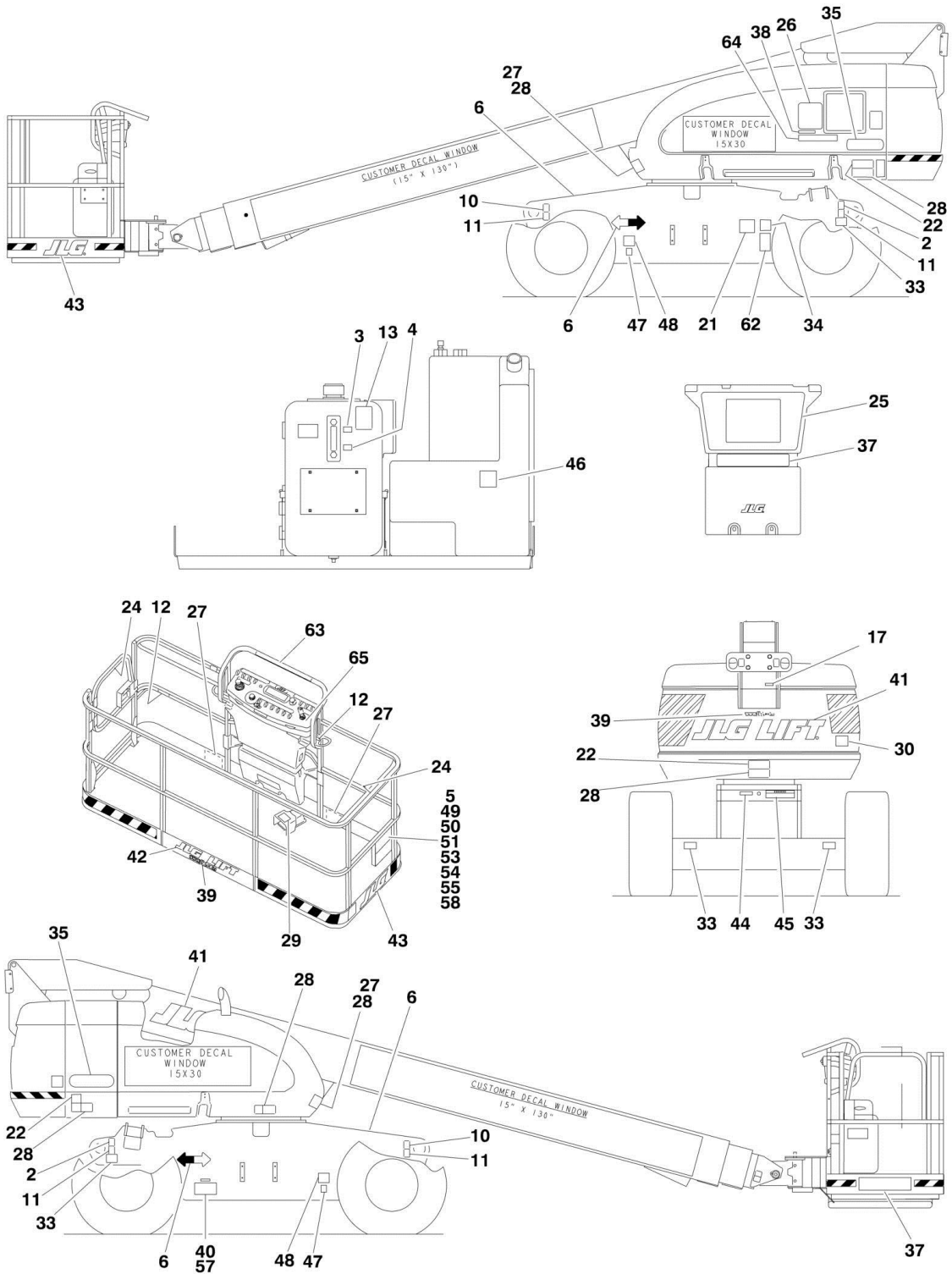
| ITEM | PART NUMBER | QTY | DESCRIPTION | REV |
|----------|--------------|-----|--|-----|
| | | Ref | STANDARD DECAL INSTALLATIONS | |
| | 0271014 | Ref | Decal - JLG | 3 |
| | 0255329 | Ref | Standard Decal Installations 600S ANSI Spec | 17 |
| | 0255333 | Ref | Standard Decal Installations 600SJ ANSI Spec | 17 |
| | 0255331 | Ref | Standard Decal Installations 660SJ ANSI Spec | 18 |
| 1 | 1703805 | 4 | Decal - Danger/Electrocution | |
| 2 | 1703804 | AR | Decal - Warning/Crushing | |
| 3 | 1703798 | 1 | Decal - Danger/Warning | |
| 4 | 3251813 | 1 | Decal - USA | |
| 5 | 1701502 | 1 | Decal - High Oil Level | |
| 6 | 1701503 | 1 | Decal - Low Oil Level | |
| 7 | 1701504 | 1 | Decal - Hydraulic Oil | |
| 8 | 1701509 | 1 | Decal - Manual | |
| 9 | | Ref | Nameplate Options: | |
| 9 | 3251243 | 1 | 120V-60Hz | |
| 9 | 3252507 | 1 | 220V-50/60Hz | |
| 10 | | Ref | Decal - Model Options: | |
| 10 | 1702815 | 2 | Decal - Model 600S | |
| 10 | 1702816 | 2 | Decal - Model 600SJ | |
| 10 | 1702817 | 2 | Decal - Model 660SJ | |
| 11 | 1702861 | 3 | Decal - JLG Lift (8in) | |
| 12 | 1702862 | 1 | Decal - JLG Lift (12in) | |
| 13 | 1702774 | 1 | Decal - JLG Lift (3-1/2in) | |
| 14 | 1702773 | 2 | Decal - JLG (5in) | |
| 15 | 1702868 | 2 | Decal - No Hands | |
| 16 | 1704277 | AR | Decal - Attach Lanyard Here | |
| 17 | See Note | NSS | Nameplate - Serial Number (Note: Not Available for Purchase) | |
| 18 | 1702153 | 1 | Decal - Inspection | |
| 19 | See Note | NSS | Decal - Bar Code (Note: Not Available for Purchase) | |
| 20 | 1700584 | 1 | Decal - Patent | |
| 21 | 1701499 | 2 | Decal - No Tie Down /Lift | |
| 22 | 1702300 | 4 | Decal - Tie Down /Lift | |
| 23 | 1701500 | 2 | Decal - Tie Down /Lift | |
| 24 | 1701529 | 4 | Decal- Arrow | |
| 26 | 3820001 | 4 | Rivet | |
| 27 | 0641408 | 4 | Bolt 1/4in-20NC x 1in | |
| 28 | 1060279 | 1 | Cable, Lanyard | |
| 29 | 3311405 | AR | Locknut 1/4in-20NC | |
| 30 | 4751400 | AR | Flatwasher 1/4in | |
| 31 | 0860520 | 1 | Box, Manual Storage | |
| 32 | 3380434 | 1 | Panel, Pedestal | |
| 33 | 1702784 | 1 | Decal - Legend | |
| 34 | 1703797 | 1 | Decal - Danger/Warning | |
| 35 | | Ref | Decal - 500LBS Max Capacity Options: | |
| 35 | 1704096 | 2 | Standard - 600S | |
| 35 | 1701645 | 2 | Standard - 600SJ & 660SJ | |
| 44 to 48 | Not Required | 0 | Not Required | |
| 51 | | Ref | Decal - 500LBS Max Capacity Options: | |
| 51 | 1702966 | 1 | Standard (600S) | |

SECTION 8 - DECALS

| ITEM | PART NUMBER | QTY | DESCRIPTION | REV |
|------|-------------|-----|--|-----|
| 51 | 1702688 | 1 | Standard (600SJ & 660SJ) | |
| 53 | 0641406 | 4 | Bolt 1/4in-20NC x 3/4in | |
| 54 | 0100011 | AR | Compound, Locking | |
| 57 | 1703470 | 4 | Decal - Tire Load | |
| 58 | 0641414 | 2 | Bolt 1/4in-20NC x 1-3/4in | |
| 63 | 1703808 | 1 | Decal - Legend | |
| 64 | 1704885 | 2 | Decal - Website | |
| | | Ref | DECAL INSTALLATION (OPTIONAL PARTS) | |
| 101 | | Ref | Decal - Fuel | |
| 101 | 1701542 | 1 | Ford Engine Machines | |
| 101 | 1701505 | 1 | Deutz Engine Machines | |
| 102 | 1701543 | 1 | Decal - LP Gas (Dual Fuel and LP Only Machines) | |
| 103 | 1700818 | 1 | Decal - LP Gas Liquid Withdrawal System (Dual Fuel and LP Only Machines) | |
| 104 | 3250872 | 1 | Nameplate - Steer/Tow Selection (Machines with Tow Package Only) | |
| 105 | | Ref | Decal - Tow Instructions Options: (Machines with Tow Package Only) | |
| 105 | 1702305 | 1 | Decal - Tow Instructions 2WD | |
| 105 | 1703403 | 1 | Decal - Tow Instructions 4WD | |
| | 0272341 | Ref | DECAL INSTALLATION TIRE SEALANT | |
| 201 | 1705363 | 1 | Decal - Tire Sealant Large | 1 |

SECTION 8 - DECALS

FIGURE 8-2. DECAL INSTALLATION (ANSI SPEC) (USA BUILT MACHINES AND CHINA BUILT MACHINES) (SN 0300087912 through 0300171769, SN B300000100 through B300000969)



SECTION 8 - DECALS

FIGURE 8-2. DECAL INSTALLATION (ANSI SPEC) (USA BUILT MACHINES AND CHINA BUILT MACHINES) (SN 0300087912 through 0300171769, SN B300000100 through B300000969)

| ITEM | PART NUMBER | QTY | DESCRIPTION | REV |
|------|-------------|-----|---|-----|
| | | Ref | STANDARD DECAL INSTALLATIONS | |
| | 0274093 | Ref | Decal - JLG | 2 |
| | 0273867 | Ref | Standard Decal Installations 600S ANSI Spec | 10 |
| | 0273868 | Ref | Standard Decal Installations 600SJ ANSI Spec | 7 |
| | 0273869 | Ref | Standard Decal Installations 660SJ ANSI Spec | 9 |
| 1 | 1001108923 | 1 | Decal - EPA/Carb Fuel Spec (Diesel Machines USA Built Machines) (SN 0300134794 through 0300171769) | |
| 1 | 1001108923 | 1 | Decal - EPA/Carb Fuel Spec (Diesel Machines China Built Machines) (SN B300000100 through B300000969) | |
| 2 | 1701499 | 2 | Decal - No Tie Down /Lift | |
| 3 | 1701502 | 1 | Decal - High Oil Level (USA Built Machines) (SN 0300087912 through 0300133154) | |
| 4 | 1701503 | 1 | Decal - Low Oil Level (USA Built Machines) (SN 0300087912 through 0300133154) | |
| 5 | 1701509 | 1 | Decal - Manual | |
| 6 | 1701529 | 4 | Decal- Arrow | |
| 10 | 1703811 | 2 | Decal - Tie Down /Lift | |
| 11 | 1703814 | 4 | Decal - Tie Down | |
| 12 | 1704277 | 3 | Decal - Attach Lanyard Here | |
| 13 | 1704412 | 1 | Decal - Hydraulic Oil | |
| 17 | | Ref | Nameplate Options: | |
| 17 | 3251243 | 1 | 120V-60Hz | |
| 17 | 3252507 | 1 | 220V-50/60Hz | |
| 21 | 1702153 | 1 | Decal - Inspection (USA Built Machines) (SN 0300087912 through 0300133154) | |
| 22 | 1703953 | 4 | Decal - Warning/Crushing | |
| 24 | 1702868 | 2 | Decal - No Hands | |
| 25 | 1703797 | 1 | Decal - Danger/Warning | |
| 26 | 1705336 | 1 | Decal - Warning Inspection | |
| 27 | 1703804 | 4 | Decal - Warning Crushing | |
| 28 | 1703805 | 4 | Decal - Danger Electrocution | |
| 29 | 3252347 | 1 | Nameplate - Footswitch | |
| 30 | 3251813 | 1 | Decal - USA | |
| 33 | | Ref | Decal - Tire Load Options: | |
| 33 | 1703470 | 4 | Decal - Tire Load (600S) | |
| 33 | 1703471 | 4 | Decal - Tire Load (600SJ) | |
| 33 | 1703472 | 4 | Decal - Tire Load (660SJ) | |
| 34 | See Note | NSS | Decal - Bar Code (Note: Not Available for Purchase) | |
| 35 | | Ref | Decal - Model Options: | |
| 35 | 1702815 | 2 | Decal - Model 600S | |
| 35 | 1702816 | 2 | Decal - Model 600SJ | |
| 35 | 1702817 | 2 | Decal - Model 660SJ | |
| 37 | | Ref | Decal - Capacity Options: | |
| 37 | | Ref | USA Built Machines: | |
| 37 | | Ref | Decal - Capacity 600S | |
| 37 | 1704096 | 2 | Decal - Capacity (SN 0300087912 through 0300143325) | |
| 37 | 1001121800 | 2 | Decal - Capacity (SN 0300143326 through 0300171769) | |
| 37 | | Ref | Decal - Capacity 600SJ & 660SJ | |
| 37 | 1701645 | 2 | Decal - Capacity (SN 0300087912 through 0300143325) | |
| 37 | 1001121801 | 2 | Decal - Capacity (SN 0300143326 through 0300171769) | |

SECTION 8 - DECALS

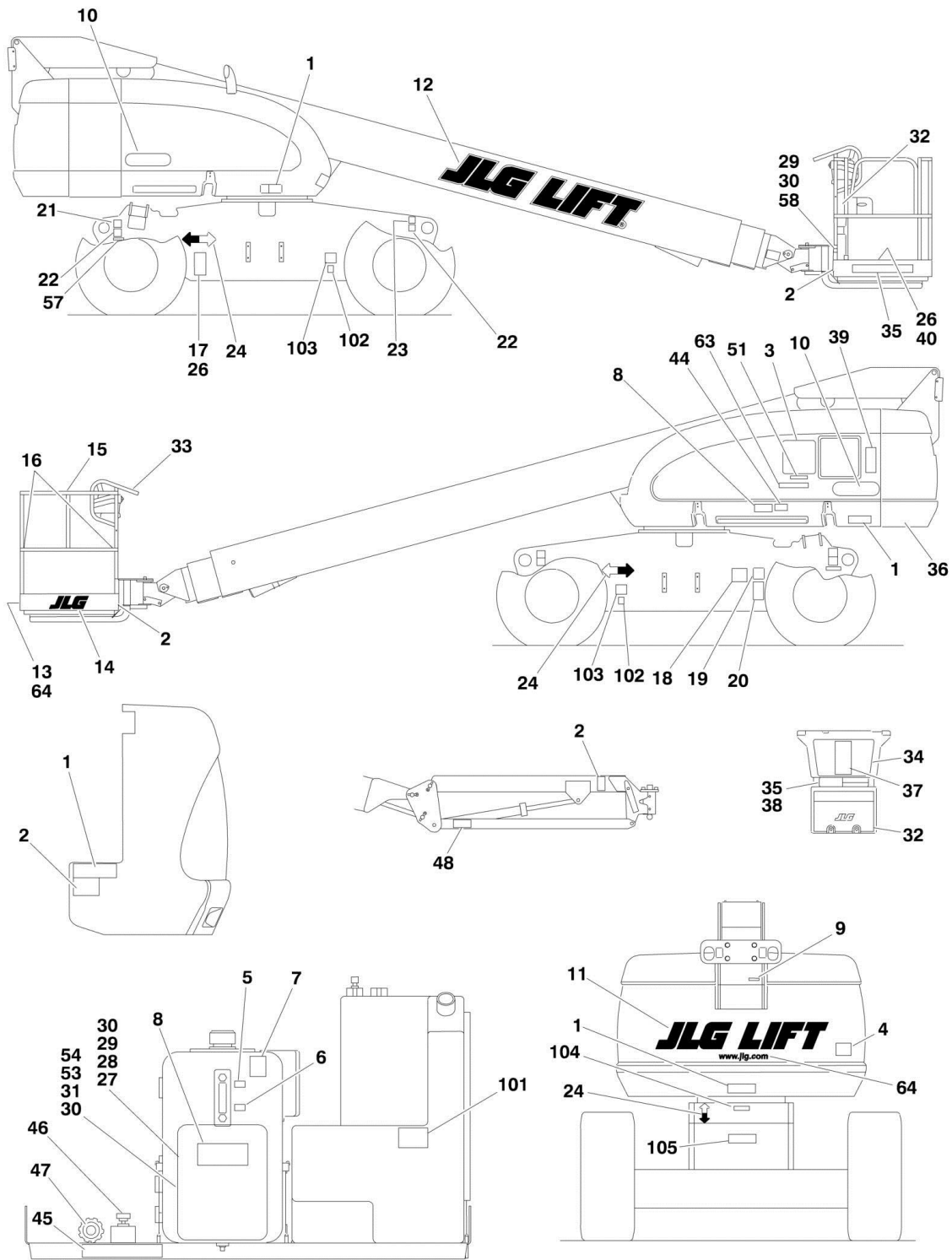
| ITEM | PART NUMBER | QTY | DESCRIPTION | REV |
|------|-------------|-----|--|-----|
| 37 | | Ref | China Built Machines: | |
| 37 | | Ref | Decal - Capacity 600S | |
| 37 | 1704096 | 2 | Decal - Capacity (SN B300000100 through B300000188) | |
| 37 | 1001121800 | 2 | Decal - Capacity (SN B300000189 through B300000969) | |
| 37 | | Ref | Decal - Capacity 600SJ & 660SJ | |
| 37 | 1701645 | 2 | Decal - Capacity (SN B300000100 through B300000188) | |
| 37 | 1001121801 | 2 | Decal - Capacity (SN B300000189 through B300000969) | |
| 38 | | Ref | Decal - Capacity Options: | |
| 38 | | Ref | USA Built Machines: | |
| 38 | | Ref | Decal - Capacity 600S | |
| 38 | 1704104 | 1 | Decal - Capacity (SN 0300087912 through 0300099059) | |
| 38 | 1707014 | 1 | Decal - Capacity (SN 0300099060 through 0300143325) | |
| 38 | 1001121813 | 1 | Decal - Capacity (SN 0300143326 through 0300171769) | |
| 38 | | Ref | Decal - Capacity 600SJ & 660SJ | |
| 38 | 1702688 | 1 | Decal - Capacity (SN 0300087912 through 0300099059) | |
| 38 | 1707013 | 1 | Decal - Capacity (SN 0300099060 through 0300143325) | |
| 38 | 1001121814 | 1 | Decal - Capacity (SN 0300143326 through 0300171769) | |
| 38 | | Ref | China Built Machines | |
| 38 | | Ref | Decal - Capacity 600S | |
| 38 | 1707014 | 1 | Decal - Capacity (SN B300000100 through B300000188) | |
| 38 | 1001121813 | 1 | Decal - Capacity (SN B300000189 through B300000969) | |
| 38 | | Ref | Decal - Capacity 660SJ | |
| 38 | 1707013 | 1 | Decal - Capacity (SN B300000100 through B300000188) | |
| 38 | 1001121814 | 1 | Decal - Capacity (SN B300000189 through B300000969) | |
| 39 | 1704885 | 2 | Decal - Website | |
| 40 | See Note | NSS | Nameplate - Serial Number (Note: Not Available for Purchase) | |
| 41 | 1702861 | 3 | Decal - JLG Lift (8in) | |
| 42 | 1702774 | 1 | Decal - JLG Lift (3-1/2in) | |
| 43 | 1702773 | 2 | Decal - JLG Lift (5in) | |
| 44 | 3250872 | 1 | Nameplate - Steer/Tow Selection (Machines with Tow Package Only) | |
| 45 | | Ref | Decal - Tow Instructions Options: (Machines with Tow Package Only) | |
| 45 | 1702305 | 1 | Decal - Tow Instructions 2WD | |
| 45 | 1703403 | 1 | Decal - Tow Instructions 4WD | |
| 46 | | Ref | Decal - Fuel | |
| 46 | 1701542 | 1 | Ford and GM Engine Machines | |
| 46 | 1701505 | 1 | Caterpillar and Deutz Engine Machines | |
| 47 | 1701543 | 2 | Decal - LP Gas (Ford Engine Only) | |
| 48 | | Ref | Decal - LP Gas Liquid Options (Gas Engine Only): | |
| 48 | 1700818 | 2 | English Language | |
| 48 | 1704271 | 2 | English and French Languages | |
| 48 | 1702720 | 2 | Spanish Language | |
| 49 | 0100011 | AR | Compound, Locking | |
| 50 | 0641406 | 4 | Bolt 1/4in-20NC x 3/4in | |
| 51 | 0641408 | 1 | Bolt 1/4in-20NC x 1in | |
| 53 | 0860520 | 1 | Box, Manual Storage | |
| 54 | 1060279 | 1 | Cable, Lanyard | |
| 55 | 3311405 | AR | Locknut 1/4in-20NC | |
| 57 | 3820001 | 4 | Rivet | |
| 58 | 4751400 | AR | Flatwasher 1/4in | |
| 62 | | Ref | Decal - Patent Options: | |

SECTION 8 - DECALS

| ITEM | PART NUMBER | QTY | DESCRIPTION | REV |
|------|-------------|-----|--|-----|
| 62 | 1700584 | 1 | USA Built Machines (SN 0300087912 through 0300151357) | |
| 62 | 1700584 | 1 | China Built Machines (SN B300000100 through B300000357) | |
| 62 | 1001131269 | 1 | USA Built Machines (SN 0300151358 through 0300171769) | |
| 62 | 1001131269 | 1 | China Built Machines (SN B300000358 through B300000969) | |
| 63 | | Ref | Decal - Legend Options: | |
| 63 | 1702784 | 1 | USA Built Machines (SN 0300087912 through 0300099059) | |
| 63 | 1706931 | 1 | USA Built Machines (SN 0300099060 through 0300138728) | |
| 63 | 1001108493 | 1 | USA Built Machines (SN 0300138729 through 0300171769) | |
| 63 | 1001108493 | 1 | China Built Machines (SN B300000100 through B300000969) | |
| 64 | | Ref | Decal - Legend | |
| 64 | 1703808 | 1 | USA Built Machines (SN 0300087912 through 0300099059) | |
| 64 | 1706941 | 1 | USA Built Machines (SN 0300099060 through 0300171769) | |
| 64 | 1706941 | 1 | China Built Machines (SN B300000100 through B300000969) | |
| 65 | 1705351 | 1 | Decal - Drive/Steer Instructions (USA Built Machines) (SN 03000138729 through 0300171769) | |
| 65 | 1705351 | 1 | Decal - Drive/Steer Instructions (China Built Machines) (SN B300000100 through B300000969) | |

SECTION 8 - DECALS

FIGURE 8-3. DECAL INSTALLATION (COUNTRY SPEC) (USA BUILT MACHINES) (SN 0300087000 through 0300087911)



SECTION 8 - DECALS

FIGURE 8-3. DECAL INSTALLATION (COUNTRY SPEC) (USA BUILT MACHINES) (SN 0300087000 through 0300087911)

| ITEM | PART NUMBER | QTY | DESCRIPTION | REV |
|------|--------------|-----|--|-----|
| | | Ref | DECAL INSTALLATIONS | |
| | 0255330 | Ref | Decal Installations 600S Common Decals | 12 |
| | 0255334 | Ref | Decal Installations 600SJ Common Decals | 12 |
| | 0255332 | Ref | Decal Installations 660SJ Common Decals | 13 |
| | 0257493 | Ref | Decal Installations 600S Brazilian Spec | 5 |
| | 0257494 | Ref | Decal Installations 600SJ & 660SJ Brazilian Spec | 5 |
| | 0259328 | Ref | Decal Installations 600S CSA Spec | 11 |
| | 0259329 | Ref | Decal Installations 600SJ CSA Spec | 13 |
| | 0259330 | Ref | Decal Installations 660SJ CSA Spec | 13 |
| | 0273537 | Ref | Decal Installations 660SJ English, Chinese Spec | 3 |
| | 0273536 | Ref | Decal Installations 600S English, Korean Spec | 3 |
| | 0256258 | Ref | Decal Installations 600S Japanese Spec | 3 |
| | 0256575 | Ref | Decal Installations 600SJ & 660SJ Japanese Spec | 4 |
| | 0256673 | Ref | Decal Installations 600S Latin American Spanish Spec | 15 |
| | 0256663 | Ref | Decal Installations 600SJ Latin American Spanish Spec | 9 |
| | 0256672 | Ref | Decal Installations 660SJ Latin American Spanish Spec | 11 |
| 1 | | Ref | Decal - Electrocutation Options: | |
| 1 | Not Required | 0 | Brazilian Spec and Japanese Spec | |
| 1 | 1703937 | 4 | Chinese Spec | |
| 1 | 1703936 | 4 | CSA Spec | |
| 1 | 1703939 | 4 | Korean Spec | |
| 1 | 1702585 | 4 | Latin American Spec | |
| 2 | | Ref | Decal - Crushing Options: | |
| 2 | 1701518 | 5 | Brazilian Spec and Japanese Spec | |
| 2 | 1703949 | 3 | Chinese Spec | |
| 2 | 1703948 | 3 | CSA Spec | |
| 2 | 1703951 | 3 | Korean Spec | |
| 2 | 1702583 | 3 | Latin American Spec | |
| 3 | | Ref | Decal - Danger/Warning Options: | |
| 3 | Not Required | 0 | Brazilian Spec and Japanese Spec | |
| 3 | 1703931 | 1 | Chinese Spec | |
| 3 | 1703930 | 1 | CSA Spec | |
| 3 | 1703933 | 1 | Korean Spec | |
| 3 | 1702971 | 1 | Latin American Spec | |
| 4 | | Ref | Decal - USA Options: | |
| 4 | Not Required | 0 | Brazilian, Chinese, Japanese Spec and Korean Spec | |
| 4 | 3251813 | 1 | CSA and Latin American Spec | |
| 5 | 1701502 | 1 | Decal - High Oil Level | |
| 6 | 1701503 | 1 | Decal - Low Oil Level | |
| 7 | 1701504 | 1 | Decal - Hydraulic Oil | |
| 8 | 1701509 | 1 | Decal - Manual | |
| 9 | | Ref | Decal - AC to Platform Options: | |
| 9 | Not Required | 0 | Brazilian, Chinese, Japanese Spec and Korean Spec | |
| 9 | 1703453 | 1 | AC (Latin American Spec) | |
| 9 | 3251243 | 1 | 120V-60Hz | |
| 9 | 3252507 | 1 | 220V-50/60Hz | |
| 10 | | Ref | Decal - Model Designation Options: | |
| 10 | 1702815 | 2 | Decal - Model Designation 600S | |
| 10 | 1702816 | 2 | Decal - Model Designation 600SJ | |

SECTION 8 - DECALS

| ITEM | PART NUMBER | QTY | DESCRIPTION | REV |
|------|--------------|-----|--|-----|
| 10 | 1702817 | 2 | Decal - Model Designation 660SJ | |
| 11 | 1702861 | 1 | Decal - JLG Lift (8in) | |
| 12 | 1702862 | 1 | Decal - JLG Lift (12in) | |
| 13 | 1702774 | 1 | Decal - JLG Lift (3-1/2in) | |
| 14 | 1702773 | 2 | Decal - JLG (5in) | |
| 15 | | Ref | Decal - No Hands Options: | |
| 15 | 1703899 | 2 | Brazilian Spec | |
| 15 | 1704000 | 2 | CSA Spec | |
| 15 | Not Required | 0 | Chinese, Japanese Spec and Korean Spec | |
| 15 | 1702975 | 1 | Latin American Spec | |
| 16 | | Ref | Decal - Attach Lanyard Here Options: | |
| 16 | 1704277 | AR | Brazilian, Chinese, CSA, Korean and Latin American Spec | |
| 16 | Not Required | 0 | Japanese Specs | |
| 17 | See Note | NSS | Nameplate - Serial Number (Note: Not Available for Purchase) | |
| 18 | | Ref | Decal - Inspection Options: | |
| 18 | Not Required | 0 | Brazilian, Chinese, Japanese Spec and Korean Spec | |
| 18 | 1704006 | 2 | CSA Spec | |
| 18 | 1702552 | 1 | Latin American Spec | |
| 19 | See Note | NSS | Decal - Bar Code (Note: Not Available for Purchase) | |
| 20 | | Ref | Decal - Patent Options: | |
| 20 | 1700584 | 1 | Brazilian, Chinese, Japanese Spec and Korean Spec | |
| 20 | 1702573 | 1 | Latin American Spec | |
| 21 | 1701499 | 2 | Decal - No Tie Down /Lift | |
| 22 | 1702300 | 4 | Decal - Tie Down /Lift | |
| 23 | 1701500 | 2 | Decal - Tie Down /Lift | |
| 24 | 1701529 | 4 | Decal- Arrow | |
| 25 | | Ref | Decal - Warning Options: | |
| 25 | Not Required | 0 | Brazilian, Chinese, Japanese Spec and Korean Spec | |
| 25 | 1702581 | 1 | Latin American Spec | |
| 26 | 3820001 | AR | Rivet | |
| 27 | 0641408 | 1 | Bolt 1/4in-20NC x 1in | |
| 28 | 1060279 | 1 | Cable, Lanyard | |
| 29 | 3311405 | AR | Locknut 1/4in-20NC | |
| 30 | 4751400 | AR | Flatwasher 1/4in | |
| 31 | 0860520 | 1 | Box, Manual Storage | |
| 32 | 3380434 | 1 | Panel, Pedestal (SN 0300068000 through 0300076512) | |
| 33 | | Ref | Decal - Legend Options: | |
| 33 | Not Required | 0 | Brazilian, Chinese, Japanese Spec and Korean Spec | |
| 33 | 1702784 | 2 | CSA Spec | |
| 33 | 1702972 | 1 | Latin American Spec | |
| 34 | | Ref | Decal - Danger/Warning Options: | |
| 34 | Not Required | 0 | Brazilian Spec and Japanese Spec | |
| 34 | 1703925 | 1 | Chinese Spec | |
| 34 | 1703924 | 2 | CSA Spec | |
| 34 | 1703927 | 1 | Korean Spec | |
| 34 | 1702973 | 1 | Latin American Spec | |
| 35 | | Ref | Decal - Maximum Capacity Options: | |
| 35 | Not Required | 0 | Brazilian Spec and Japanese Spec | |
| 35 | 1703996 | 1 | Chinese Spec - 660SJ | |
| 35 | 1704099 | 2 | CSA Spec - 600S | |
| 35 | 1703996 | 2 | CSA Spec - 600SJ/660SJ | |

SECTION 8 - DECALS

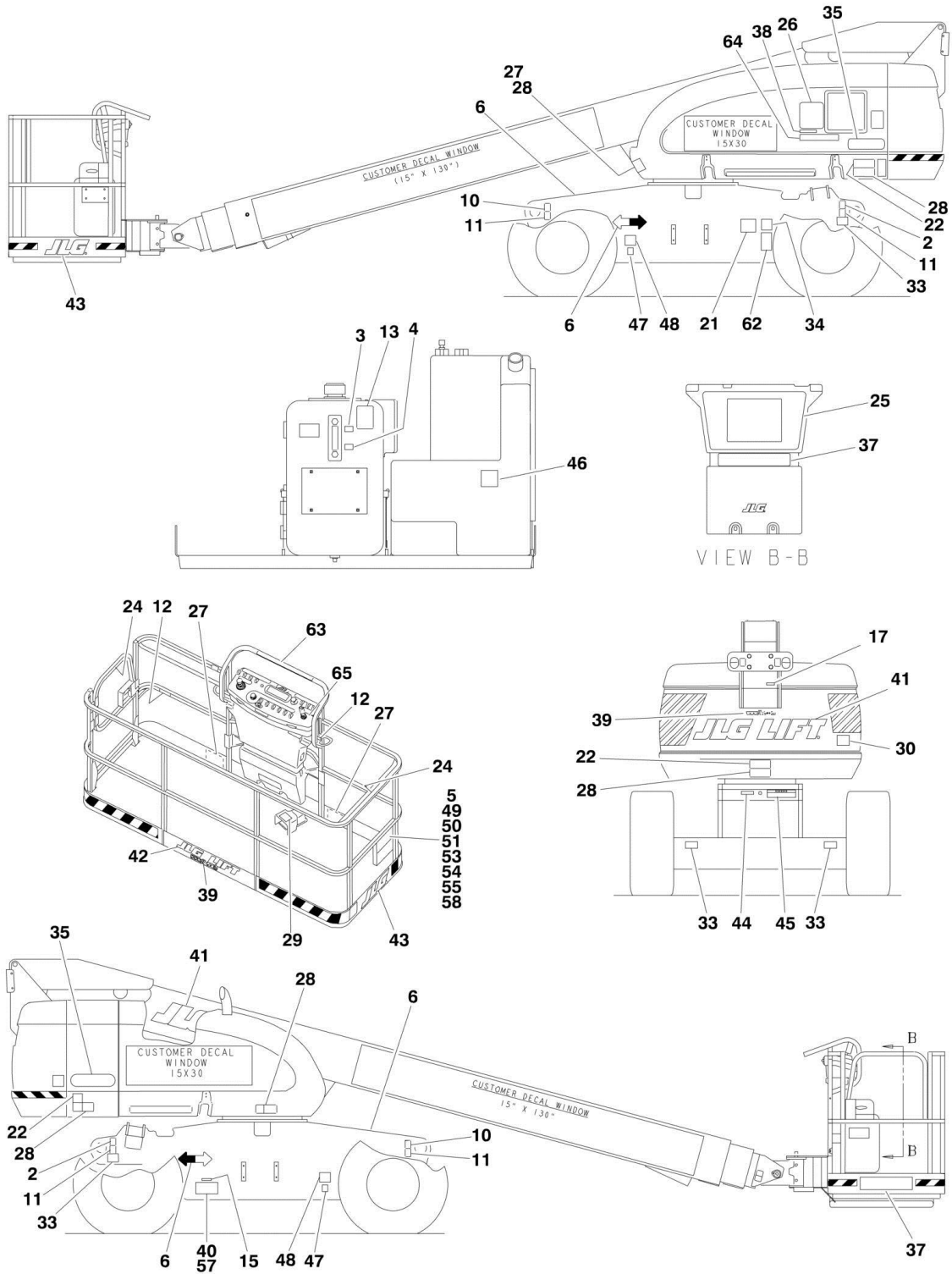
| ITEM | PART NUMBER | QTY | DESCRIPTION | REV |
|----------|--------------|-----|---|-----|
| 35 | 1704103 | 1 | Korean Spec - 600S | |
| 35 | 1704100 | 2 | Latin American Spec - 600S | |
| 35 | 1702974 | 2 | Latin American Spec - 600SJ/660SJ | |
| 37 | | Ref | Nameplate - Capacity Options: | |
| 37 | 1703536 | 1 | Brazilian Spec | |
| 37 | 1701924 | 1 | Japanese Spec | |
| 37 | Not Required | 0 | Chinese, CSA, Korean and Latin American Spec | |
| 38 | | Ref | Nameplate - Caution Options: | |
| 38 | 1703538 | 1 | Brazilian Spec | |
| 38 | 1703188 | 1 | Japanese Spec | |
| 38 | Not Required | 0 | Chinese, CSA, Korean and Latin American Spec | |
| 39 | | Ref | Nameplate - Caution Options: | |
| 39 | 1703548 | 1 | Brazilian Spec | |
| 39 | 1701923 | 1 | Japanese Spec | |
| 39 | Not Required | 0 | Chinese, CSA, Korean and Latin American Spec | |
| 40 | | Ref | Decal - Footswitch Options: | |
| 40 | 3252540 | 1 | Brazilian Spec | |
| 40 | 1703982 | 1 | Chinese Spec | |
| 40 | 3252347 | 1 | CSA Spec (Part of Footswitch) | |
| 40 | 3252220 | 1 | Japanese Spec | |
| 40 | 1703981 | 1 | Korean Spec | |
| 40 | 3252489 | 1 | Latin American Spec | |
| 44 to 48 | Not Required | 0 | Not Required | |
| 51 | | Ref | Decal - Capacity Options: | |
| 51 | Not Required | 0 | Brazilian Spec and Japanese Spec | |
| 51 | 1704112 | 1 | Chinese Spec - 660SJ | |
| 51 | 1704107 | 1 | CSA Spec (600S) | |
| 51 | 1704112 | 1 | CSA Spec (600SJ & 660SJ) | |
| 51 | 1704111 | 1 | Korean Spec - 600S | |
| 51 | 1704108 | 1 | Latin American Spec | |
| 53 | 0641406 | 4 | Bolt 1/4in-20NC x 3/4in | |
| 54 | 0100011 | AR | Compound, Locking | |
| 57 | | Ref | Decal - Tire Load Options: | |
| 57 | 1703470 | 4 | Brazilian, CSA, Spec and Latin American Spec | |
| 57 | 1703472 | 4 | Chinese Spec | |
| 57 | 1703470 | 4 | Korean Spec - 600S | |
| 58 | 0641414 | 2 | Bolt 1/4in-20NC x 1-3/4in | |
| 63 | | Ref | Decal - Legend Options: | |
| 63 | Not Required | 0 | Brazilian, Chinese, Japanese, Korean and Latin American Specs | |
| 63 | 1703808 | 1 | CSA Spec | |
| 64 | 1704885 | 2 | Decal - Website | |
| | | Ref | DECAL INSTALLATION (OPTIONAL PARTS) | |
| 101 | | Ref | Decal - Fuel Options: | |
| 101 | 1701505 | 1 | Diesel | |
| 101 | 1701542 | 1 | Gas | |
| 102 | 1701543 | 1 | Decal - LP Gas (Dual Fuel Machines Only) | |
| 103 | | Ref | Decal - Liquid Withdrawal System Options: (Dual Fuel Machines Only) | |
| 103 | Not Required | 0 | Brazilian Spec and Japanese Spec | |
| 103 | 1700818 | 2 | Chinese and Korean Spec | |
| 103 | 1704271 | 2 | CSA Spec | |

SECTION 8 - DECALS

| ITEM | PART NUMBER | QTY | DESCRIPTION | REV |
|------|--------------|-----|--|-----|
| 103 | 1702720 | 2 | Latin American Spec | |
| 104 | | Ref | Nameplate - Steer/Tow Selection (Machines with Tow Package Only) | |
| 104 | Not Required | 0 | Brazilian, Chinese, Japanese, Korean and Latin American Spec | |
| 104 | 1704272 | 1 | CSA Spec | |
| 105 | | Ref | Decal - Tow Instructions Options (Machines with Tow Package Only): | |
| 105 | Not Required | 0 | Brazilian, Chinese, Japanese, Korean and Latin American Spec | |
| 105 | 1704273 | 1 | CSA Spec 2WD | |
| 105 | 1704276 | 1 | CSA Spec 4WD | |

SECTION 8 - DECALS

FIGURE 8-4. DECAL INSTALLATION (COUNTRY SPEC) (USA BUILT MACHINES AND CHINA BUILT MACHINES) (SN 0300087912 through 0300171769, SN B300000100 through B300000969)



SECTION 8 - DECALS

FIGURE 8-4. DECAL INSTALLATION (COUNTRY SPEC) (USA BUILT MACHINES AND CHINA BUILT MACHINES) (SN 0300087912 through 0300171769, SN B300000100 through B300000969)

| ITEM | PART NUMBER | QTY | DESCRIPTION | REV |
|------|--------------|-----|---|-----|
| | | Ref | STANDARD DECAL INSTALLATIONS | |
| | 0274093 | Ref | Decal - JLG | 2 |
| | 0273885 | Ref | Standard Decal Installations 600S Brazilian Spec | B |
| | 0273886 | Ref | Standard Decal Installations 600SJ Brazilian Spec | 8 |
| | 0273887 | Ref | Standard Decal Installations 660SJ Brazilian Spec | B |
| | 0275099 | Ref | Standard Decal Installations 600S Chinese Spec (Traditional) | 10 |
| | 1001116839 | Ref | Standard Decal Installations 600S Chinese Spec (Simplified) | 4 |
| | See Note | Ref | Standard Decal Installations 600SJ Chinese Spec (Note: Not Available for Purchase) | |
| | 0273871 | Ref | Standard Decal Installations 660SJ Chinese Spec (Traditional) | B |
| | 1001117939 | Ref | Standard Decal Installations 660SJ Chinese Spec (Simplified) | 4 |
| | 0273872 | Ref | Standard Decal Installations 600S CSA Spec | B |
| | 0273873 | Ref | Standard Decal Installations 600SJ CSA Spec | 7 |
| | 0273874 | Ref | Standard Decal Installations 660SJ CSA Spec | C |
| | 0273888 | Ref | Standard Decal Installations 600S Japanese Spec | B |
| | 0273889 | Ref | Standard Decal Installations 600SJ Japanese Spec | 7 |
| | 0273890 | Ref | Standard Decal Installations 660SJ Japanese Spec | B |
| | 0273870 | Ref | Standard Decal Installations 600S Korean Spec | B |
| | 1001112941 | Ref | Standard Decal Installations 600SJ Korean Spec | 2 |
| | 0274925 | Ref | Standard Decal Installations 660SJ Korean Spec | 11 |
| | 0273882 | Ref | Standard Decal Installations 600S Latin American Spec | B |
| | 0273883 | Ref | Standard Decal Installations 600SJ Latin American Spec | 8 |
| | 0273884 | Ref | Standard Decal Installations 660SJ Latin American Spec | B |
| 2 | 1701499 | 2 | Decal - No Tie Down /Lift | |
| 3 | 1701502 | 1 | Decal - High Oil Level (USA Built Machines) (SN 0300087912 through 0300133154) | |
| 4 | 1701503 | 1 | Decal - Low Oil Level (USA Built Machines) (SN 0300087912 through 0300133154) | |
| 5 | 1701509 | 1 | Decal - Manual | |
| 6 | 1701529 | 4 | Decal- Arrow | |
| 10 | 1703811 | 2 | Decal - Tie Down /Lift | |
| 11 | 1703814 | 4 | Decal - Tie Down | |
| 12 | 1704277 | 3 | Decal - Attach Lanyard Here | |
| 13 | 1704412 | 1 | Decal - Hydraulic Oil | |
| 15 | | Ref | Decal - CSA Options: | |
| 15 | 1705514 | 1 | CSA Spec Only | |
| 15 | Not Required | 0 | All Other Specs | |
| 17 | | Ref | Nameplate Options: | |
| 17 | 3251243 | 1 | 120V-60Hz | |
| 17 | 3252507 | 1 | 220V-50/60Hz | |
| 21 | | Ref | Decal - Inspection Options: | |
| 21 | | Ref | Brazilian Spec | |
| 21 | 1705901 | 1 | USA Built Machines (SN 0300087912 through 0300151358) | |
| 21 | 1705901 | 1 | China Built Machines (SN B300000100 through B300000358) | |
| 21 | Not Required | 0 | Chinese Spec | |
| 21 | | Ref | CSA Spec Options: | |
| 21 | 1704006 | 1 | USA Built Machines (SN 0300087912 through 0300151358) | |
| 21 | 1704006 | 1 | China Built Machines (SN B300000100 through B300000358) | |

SECTION 8 - DECALS

| ITEM | PART NUMBER | QTY | DESCRIPTION | REV |
|------|--------------|-----|---|-----|
| 21 | Not Required | 0 | Japanese Spec | |
| 21 | Not Required | 0 | Korean Spec | |
| 21 | | Ref | Latin American Spec Options | |
| 21 | 1704007 | 1 | USA Built Machines (SN 0300087912 through 0300151358) | |
| 21 | 1704007 | 1 | China Built Machines (SN B300000100 through B300000358) | |
| 22 | | Ref | Decal - Warning/Crushing Options: | |
| 22 | 1705903 | 4 | Brazilian Spec | |
| 22 | 1703943 | 4 | Chinese Spec (Traditional) | |
| 22 | 1001116845 | 4 | Chinese Spec (Simplified) | |
| 22 | 1703942 | 4 | CSA Spec | |
| 22 | 1703944 | 4 | Japanese Spec | |
| 22 | 1703945 | 4 | Korean Spec | |
| 22 | 1703941 | 4 | Latin American Spec | |
| 24 | | Ref | Decal - No Hands Options: | |
| 24 | 1705967 | 2 | Brazilian Spec | |
| 24 | | Ref | Chinese Spec Options: | |
| 24 | 1705968 | 1 | USA Built Machines (SN 0300087912 through 0300140842) | |
| 24 | 1001116846 | 1 | USA Built Machines (SN 0300140843 through 0300171769) | |
| 24 | 1001116846 | 1 | China Built Machines (SN B300000100 through B300000969) | |
| 24 | 1704000 | 2 | CSA Spec | |
| 24 | Not Required | 0 | Japanese Spec | |
| 24 | 1705969 | 2 | Korean Spec | |
| 24 | 1704001 | 2 | Latin American Spec | |
| 25 | | Ref | Decal - Danger/Warning Options: | |
| 25 | 1705895 | 1 | Brazilian Spec | |
| 25 | 1703925 | 1 | Chinese Spec (Traditional) | |
| 25 | 1001116847 | 1 | Chinese Spec (Simplified) | |
| 25 | 1703924 | 1 | CSA Spec | |
| 25 | 1703926 | 1 | Japanese Spec | |
| 25 | 1703927 | 1 | Korean Spec | |
| 25 | 1703923 | 1 | Latin American Spec | |
| 26 | | Ref | Decal - Warning Inspection Options: | |
| 26 | 1705896 | 1 | Brazilian Spec | |
| 26 | | Ref | Chinese Spec (Traditional) | |
| 26 | 1705348 | 1 | USA Built Machines (SN 0300087912 through 0300140842) | |
| 26 | 1001116849 | 1 | USA Built Machines (SN 0300140843 through 0300171769) | |
| 26 | 1001116849 | 1 | China Built Machines (SN B300000100 through B300000969) | |
| 26 | 1001116848 | 1 | Chinese Spec (Simplified) | |
| 26 | 1705347 | 1 | CSA Spec | |
| 26 | 1705344 | 1 | Japanese Spec | |
| 26 | 1705345 | 1 | Korean Spec | |
| 26 | 1705917 | 1 | Latin American Spec | |
| 27 | | Ref | Decal - Warning Crushing Options: | |
| 27 | 1705898 | 4 | Brazilian Spec | |
| 27 | 1703949 | 4 | Chinese Spec (Traditional) | |
| 27 | 1001116850 | 4 | Chinese Spec (Simplified) | |
| 27 | 1703948 | 4 | CSA Spec | |
| 27 | 1703950 | 4 | Japanese Spec | |
| 27 | 1703951 | 4 | Korean Spec | |

SECTION 8 - DECALS

| ITEM | PART NUMBER | QTY | DESCRIPTION | REV |
|------|--------------|-----|--|-----|
| 27 | 1703947 | 4 | Latin American Spec | |
| 28 | | Ref | Decal - Danger Electrocutation Options: | |
| 28 | 1705897 | 4 | Brazilian Spec | |
| 28 | | Ref | Chinese Spec (Traditional) | |
| 28 | 1703937 | 4 | USA Built Machines (SN 0300087912 through 0300140842) | |
| 28 | 1001116851 | 4 | USA Built Machines (SN 0300140843 through 0300171769) | |
| 28 | 1001116851 | 4 | China Built Machines (SN B300000100 through B300000969) | |
| 28 | 1703937 | 4 | Chinese Spec (Simplified) | |
| 28 | 1703936 | 4 | CSA Spec | |
| 28 | 1703938 | 4 | Japanese Spec | |
| 28 | 1703939 | 4 | Korean Spec | |
| 28 | 1703935 | 4 | Latin American Spec | |
| 29 | | Ref | Nameplate - Footswitch Options: | |
| 29 | 1705902 | 1 | Brazilian Spec | |
| 29 | 1703982 | 1 | Chinese Spec (Traditional) | |
| 29 | 1001116852 | 1 | Chinese Spec (Simplified) | |
| 29 | 1703984 | 1 | CSA Spec | |
| 29 | 1703980 | 1 | Japanese Spec | |
| 29 | 1703981 | 1 | Korean Spec | |
| 29 | 1703983 | 1 | Latin American Spec | |
| 30 | | Ref | Decal - USA Options: | |
| 30 | 3251813 | 1 | All Specs except Korean and Japanese Specs (USA Built Machines) | |
| 30 | Not Required | 0 | All Specs (China Built Machines) | |
| 30 | 3251813 | 1 | Japanese Specs (USA Built Machines) (SN 0300087000 through 0300151357) | |
| 30 | Not Required | 0 | Japanese Specs (USA Built Machines) (SN 0300151358 through 0300171769) | |
| 30 | Not Required | 0 | Japanese Specs (All Chinese Built Machines) | |
| 30 | Not Required | 0 | Korean Specs | |
| 33 | | Ref | Decal Kit - Tire Load Options: | |
| 33 | 1703470 | 4 | Decal - Tire Load (600S) | |
| 33 | 1703471 | 4 | Decal Kit - Tire Load Decal - Tire Load (600SJ) | |
| 33 | 1703472 | 4 | Decal - Tire Load (660SJ) | |
| 34 | See Note | NSS | Decal - Bar Code (Note: Not Available for Purchase) | |
| 35 | | Ref | Decal - Model Options: | |
| 35 | 1702815 | 2 | Decal - Model 600S | |
| 35 | 1702816 | 2 | Decal - Model 600SJ | |
| 35 | 1702817 | 2 | Decal - Model 660SJ | |
| 37 | | Ref | Decal - Capacity Options: | |
| 37 | | Ref | Decal - Capacity 600S: | |
| 37 | | Ref | USA Built Machines (SN 0300087912 through 0300143325) | |
| 37 | | Ref | China Built Machines (SN B300000100 through B300000188) | |
| 37 | 1706380 | 2 | Brazilian Spec | |
| 37 | 1704101 | 2 | Chinese Spec (Traditional) | |
| 37 | 1001116853 | 2 | Chinese Spec (Simplified) | |
| 37 | 1704099 | 2 | CSA Spec | |
| 37 | 1704102 | 2 | Japanese Spec | |
| 37 | 1704103 | 2 | Korean Spec | |
| 37 | 1704098 | 2 | Latin American Spec | |

SECTION 8 - DECALS

| ITEM | PART NUMBER | QTY | DESCRIPTION | REV |
|------|-------------|-----|---|-----|
| 37 | | Ref | USA Built Machines (SN 0300143326 through 0300171769) | |
| 37 | | Ref | China Built Machines (SN B300000189 through B300000969) | |
| 37 | 1001121806 | 2 | Brazilian Spec | |
| 37 | 1001121809 | 2 | Chinese Spec (Traditional) | |
| 37 | 1001121811 | 2 | Chinese Spec (Simplified) | |
| 37 | 1001121802 | 2 | CSA Spec | |
| 37 | 1001121807 | 2 | Japanese Spec | |
| 37 | 1001122200 | 2 | Korean Spec | |
| 37 | 1001121804 | 2 | Latin American Spec | |
| 37 | | Ref | Decal - Capacity 600SJ & 660SJ: | |
| 37 | | Ref | USA Built Machines: (SN 0300087912 through 0300099059) | |
| 37 | 1703996 | 2 | Brazilian, Chinese, CSA, Japanese, Korean and Latin American Spec | |
| 37 | | Ref | USA Built Machines (SN 0300099060 through 0300143325) | |
| 37 | | Ref | China Built Machines (SN B300000100 through B300000969) | |
| 37 | 1707057 | 2 | Brazilian Spec | |
| 37 | 1707060 | 2 | Chinese Spec | |
| 37 | 1707055 | 2 | CSA Spec | |
| 37 | 1707059 | 2 | Japanese Spec | |
| 37 | 1707058 | 2 | Korean Spec | |
| 37 | 1707056 | 2 | Latin American Spec | |
| 37 | | Ref | USA Built Machines (SN 0300143326 through 0300171769) | |
| 37 | | Ref | China Built Machines (SN B300000189 through B300000969) | |
| 37 | 1001121656 | 2 | Brazilian Spec | |
| 37 | 1001121810 | 2 | Chinese Spec | |
| 37 | 1001121803 | 2 | CSA Spec | |
| 37 | 1001121808 | 2 | Japanese Spec | |
| 37 | 1001121918 | 2 | Korean Spec | |
| 37 | 1001121805 | 2 | Latin American Spec | |
| 38 | | Ref | Decal - Capacity Options: | |
| 38 | | Ref | Decal - Capacity 600S: | |
| 38 | | Ref | USA Built Machines: (SN 0300087912 through 0300099059) | |
| 38 | 1706381 | 1 | Brazilian Spec | |
| 38 | 1704109 | 1 | Chinese Spec | |
| 38 | 1704107 | 1 | CSA Spec | |
| 38 | 1704110 | 1 | Japanese Spec | |
| 38 | 1704111 | 1 | Korean Spec | |
| 38 | 1704106 | 1 | Latin American Spec | |
| 38 | | Ref | USA Built Machines (SN 0300099060 through 0300143325) | |
| 38 | | Ref | China Built Machines (SN B300000100 through B300000188) | |
| 38 | 1707051 | 1 | Brazilian Spec | |
| 38 | 1707045 | 1 | Chinese Spec (Traditional) | |
| 38 | 1001116854 | 1 | Chinese Spec (Simplified) | |
| 38 | 1707046 | 1 | CSA Spec | |
| 38 | 1707053 | 1 | Japanese Spec | |
| 38 | 1707043 | 1 | Korean Spec | |
| 38 | 1707048 | 1 | Latin American Spec | |
| 38 | | Ref | USA Built Machines (SN 0300143326 through 0300171769) | |

SECTION 8 - DECALS

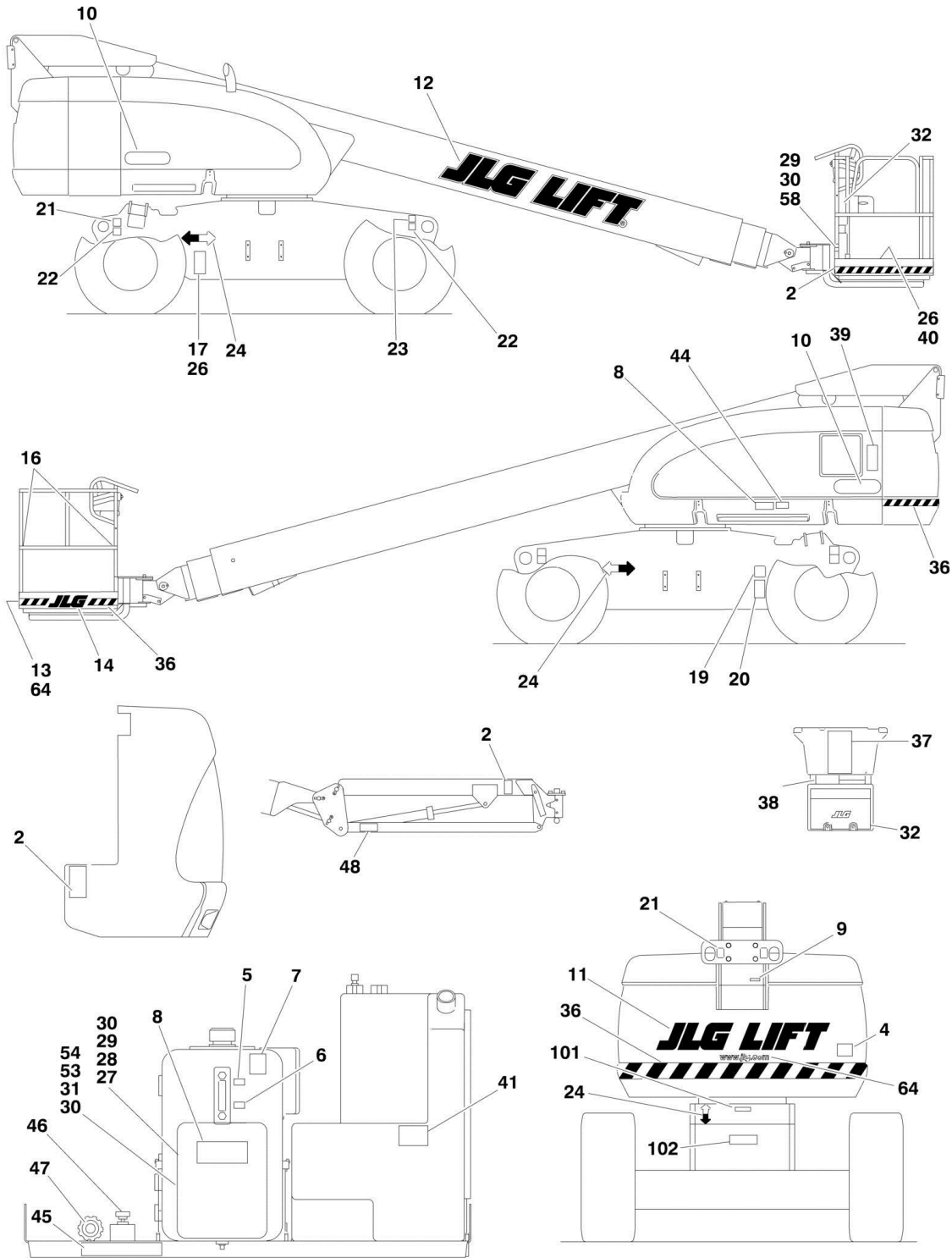
| ITEM | PART NUMBER | QTY | DESCRIPTION | REV |
|------|-------------|-----|---|-----|
| 38 | | Ref | China Built Machines (SN B300000189 through B300000969) | |
| 38 | 1001121819 | 1 | Brazilian Spec | |
| 38 | 1001121822 | 1 | Chinese Spec (Traditional) | |
| 38 | 1001121824 | 1 | Chinese Spec (Simplified) | |
| 38 | 1001121815 | 1 | CSA Spec | |
| 38 | 1001121820 | 1 | Japanese Spec | |
| 38 | 1001122201 | 1 | Korean Spec | |
| 38 | 1001121817 | 1 | Latin American Spec | |
| 38 | | Ref | Decal - Capacity 600SJ & 660SJ: | |
| 38 | | Ref | USA Built Machines: (SN 0300087912 through 0300099059) | |
| 38 | 1704112 | 1 | Brazilian, Chinese, CSA, Japanese, Korean and Latin American Spec | |
| 38 | | Ref | USA Built Machines (SN 0300099060 through 0300143325) | |
| 38 | | Ref | China Built Machines (SN B300000100 through B300000969) | |
| 38 | 1707052 | 1 | Brazilian Spec | |
| 38 | 1707044 | 1 | Chinese Spec | |
| 38 | 1707047 | 1 | CSA Spec | |
| 38 | 1707054 | 1 | Japanese Spec | |
| 38 | 1707042 | 1 | Korean Spec | |
| 38 | 1707049 | 1 | Latin American Spec | |
| 38 | | Ref | USA Built Machines (SN 0300143326 through 0300171769) | |
| 38 | | Ref | China Built Machines (SN B300000189 through B300000969) | |
| 38 | 1001121655 | 1 | Brazilian Spec | |
| 38 | 1001121823 | 1 | Chinese Spec | |
| 38 | 1001121816 | 1 | CSA Spec | |
| 38 | 1001121821 | 1 | Japanese Spec | |
| 38 | 1001121921 | 1 | Korean Spec | |
| 38 | 1001121818 | 1 | Latin American Spec | |
| 39 | 1704885 | AR | Decal - Website | |
| 40 | See Note | NSS | Nameplate - Serial Number (Note: Not Available for Purchase) | |
| 41 | 1702861 | 3 | Decal - JLG Lift (8in) | |
| 42 | 1702774 | 1 | Decal - JLG Lift (3-1/2in) | |
| 43 | 1702773 | 2 | Decal - JLG Lift (5in) | |
| 44 | 3250872 | 1 | Nameplate - Steer/Tow Selection (Machines with Tow Package Only) | |
| 45 | | Ref | Decal - Tow Instructions Options (Machines with Tow Package Only) | |
| 45 | 1702305 | 1 | Decal - Tow Instructions 2WD | |
| 45 | 1703403 | 1 | Decal - Tow Instructions 4WD | |
| 46 | | Ref | Decal - Fuel | |
| 46 | 1701542 | 1 | Ford and GM Engine Machines | |
| 46 | 1701505 | 1 | Caterpillar and Deutz Engine Machines | |
| 47 | 1701543 | 2 | Decal - LP Gas (Gas Engine Only) | |
| 48 | | Ref | Decal - LP Gas Liquid Options (Gas Engine Only): | |
| 48 | 1700818 | 2 | English Language | |
| 48 | 1704271 | 2 | English and French Languages | |
| 48 | 1702720 | 2 | Spanish Language | |
| 49 | 0100011 | AR | Compound, Locking | |
| 50 | 0641406 | 4 | Bolt 1/4in-20NC x 3/4in | |
| 51 | 0641408 | 1 | Bolt 1/4in-20NC x 1in | |

SECTION 8 - DECALS

| ITEM | PART NUMBER | QTY | DESCRIPTION | REV |
|------|-------------|-----|--|-----|
| 53 | 0860520 | 1 | Box, Manual Storage | |
| 54 | 1060279 | 1 | Cable, Lanyard | |
| 55 | 3311405 | 5 | Locknut 1/4in-20NC | |
| 57 | 3820001 | 4 | Rivet | |
| 58 | 4751400 | 10 | Flatwasher 1/4in | |
| 62 | | Ref | Decal - Patent Options: | |
| 62 | 1700584 | 1 | All Other Specs except CSA Spec and Latin American Spec (USA Built Machines) (SN 0300087912 through 0300143326) | |
| 62 | 1700584 | 1 | All Other Specs except CSA Spec and Latin American Spec (China Built Machines) (SN B300000100 through B300000189) | |
| 62 | 1702573 | 1 | Latin American Spec Only | |
| 62 | | Ref | CSA Spec | |
| 62 | 1700584 | 1 | USA Built Machines (SN 0300087912 through 0300143325) | |
| 62 | 1700584 | 1 | China Built Machines (SN B300000100 through B300000189) | |
| 62 | 1001131269 | 1 | USA Built Machines (SN 0300143326 through 0300171769) | |
| 62 | 1001131269 | 1 | China Built Machines (SN B300000189 through B300000969) | |
| 63 | | Ref | Decal - Legend Options: | |
| 63 | 1702784 | 1 | USA Built Machines (SN 0300087912 through 0300099059) | |
| 63 | 1706931 | 1 | USA Built Machines (SN 0300099060 through 0300138728) | |
| 63 | 1001108493 | 1 | USA Built Machines (SN 0300138729 through 0300171769) | |
| 63 | 1001108493 | 1 | China Built Machines (SN B300000100 through B300000969) | |
| 64 | | Ref | Decal - Legend | |
| 64 | 1703808 | 1 | USA Built Machines (SN 0300087912 through 0300099059) | |
| 64 | 1706941 | 1 | USA Built Machines (SN 0300099060 through 0300171769) | |
| 64 | 1706941 | 1 | China Built Machines (SN B300000100 through B300000969) | |
| 65 | | Ref | Decal - Drive/Steer Instructions Options (USA Built Machines) (SN 0300138729 through 0300171769) | |
| 65 | | Ref | Decal - Drive/Steer Instructions Options (China Built Machines) (SN B300000100 through B300000969) | |
| 65 | 1705905 | 1 | Brazilian Spec | |
| 65 | | Ref | Chinese Spec (Traditional) | |
| 65 | 1705430 | 1 | USA Built Machines (SN 0300087912 through 0300140842) | |
| 65 | 1001116863 | 1 | USA Built Machines (SN 0300140843 through 0300171769) | |
| 65 | 1001116863 | 1 | China Built Machines (SN B300000100 through B300000969) | |
| 65 | 1705430 | 1 | Chinese Spec (Simplified) | |
| 65 | 1705429 | 1 | CSA Spec | |
| 65 | 1705426 | 1 | Japanese Spec | |
| 65 | 1705427 | 1 | Korean Spec | |
| 65 | 1705910 | 1 | Latin American Spec | |

SECTION 8 - DECALS

FIGURE 8-5. DECAL INSTALLATION (AUSTRALIAN AND CE SPEC) (USA BUILT MACHINES) (SN 0300087000 through 0300087911)



SECTION 8 - DECALS

FIGURE 8-5. DECAL INSTALLATION (AUSTRALIAN AND CE SPEC) (USA BUILT MACHINES) (SN 0300087000 through 0300087911)

| ITEM | PART NUMBER | QTY | DESCRIPTION | REV |
|------|--------------|-----|---|-----|
| | | Ref | STANDARD DECAL INSTALLATIONS | |
| | 0271014 | Ref | Decal - JLG | 3 |
| | 0255330 | Ref | Standard Decal Installations 600S Common Parts | 11 |
| | 0255334 | Ref | Standard Decal Installations 600SJ Common Parts | 9 |
| | 0255332 | Ref | Standard Decal Installations 660SJ Common Parts | 12 |
| | 0256622 | Ref | Standard Decal Installations 600S Australian Spec | 9 |
| | 0256634 | Ref | Standard Decal Installations 600SJ & 660SJ Australian Spec | 9 |
| | 0256256 | Ref | Standard Decal Installations 600S Dutch Spec | 5 |
| | 0256573 | Ref | Standard Decal Installations 600SJ & 660SJ Dutch Spec | 5 |
| | 0256253 | Ref | Standard Decal Installations 600S French Spec | 6 |
| | 0256570 | Ref | Standard Decal Installations 600SJ & 660SJ French Spec | 6 |
| | 0256254 | Ref | Standard Decal Installations 600S German Spec | 5 |
| | 0256571 | Ref | Standard Decal Installations 600SJ & 660SJ German Spec | 5 |
| | 0256255 | Ref | Standard Decal Installations 600S Italian Spec | 6 |
| | 0256572 | Ref | Standard Decal Installations 600SJ & 660SJ Italian Spec | 6 |
| | 0273194 | Ref | Standard Decal Installations 600S Norwegian Spec | 3 |
| | 0256257 | Ref | Standard Decal Installations 600S Spanish Spec | 5 |
| | 0256574 | Ref | Standard Decal Installations 600SJ & 660SJ Spanish Spec | 5 |
| | 0256252 | Ref | Standard Decal Installations 600S UK Spec | 6 |
| | 0256569 | Ref | Standard Decal Installations 600SJ & 660SJ UK Spec | 6 |
| | 0257733 | Ref | Warning Stripes Installation (CE Specs) | 1 |
| 2 | 1701518 | 3 | Decal - Crushing | |
| 4 | | Ref | Decal Options: | |
| 4 | 1705084 | 1 | CE Spec | |
| 4 | Not Required | 0 | Australian Spec | |
| 5 | 1701502 | 1 | Decal - High Oil Level | |
| 6 | 1701503 | 1 | Decal - Low Oil Level | |
| 7 | 1701504 | 1 | Decal - Hydraulic Oil | |
| 8 | 1701509 | 1 | Decal - Manual | |
| 9 | | Ref | Decal - 240/50HZ Options: | |
| 9 | Not Required | 0 | CE Spec | |
| 9 | 3251242 | 1 | Australian Spec | |
| 10 | | Ref | Decal - Model Options: | |
| 10 | 1702815 | 2 | Decal - Model 600S | |
| 10 | 1702816 | 2 | Decal - Model 600SJ | |
| 10 | 1702817 | 2 | Decal - Model 660SJ | |
| 11 | 1702861 | 3 | Decal - JLG Lift (8in) | |
| 12 | 1702862 | 1 | Decal - JLG Lift (12in) | |
| 13 | 1702774 | 1 | Decal - JLG Lift (3-1/2in) | |
| 14 | 1702773 | 2 | Decal - JLG (5in) | |
| 16 | | Ref | Decal - Attach Lanyard Here Options: | |
| 16 | Not Required | 0 | CE Spec | |
| 16 | 1704277 | 4 | Australian Spec | |
| 17 | See Note | NSS | Nameplate - Serial Number (Note: Not Available for Purchase) | |
| 19 | See Note | NSS | Decal - Bar Code (Note: Not Available for Purchase) | |
| 20 | 1700584 | 1 | Decal - Patent | |
| 21 | 1701499 | 2 | Decal - No Tie Down /Lift | |
| 22 | 1702300 | 4 | Decal - Tie Down /Lift | |
| 23 | 1701500 | 2 | Decal - Tie Down /Lift | |

SECTION 8 - DECALS

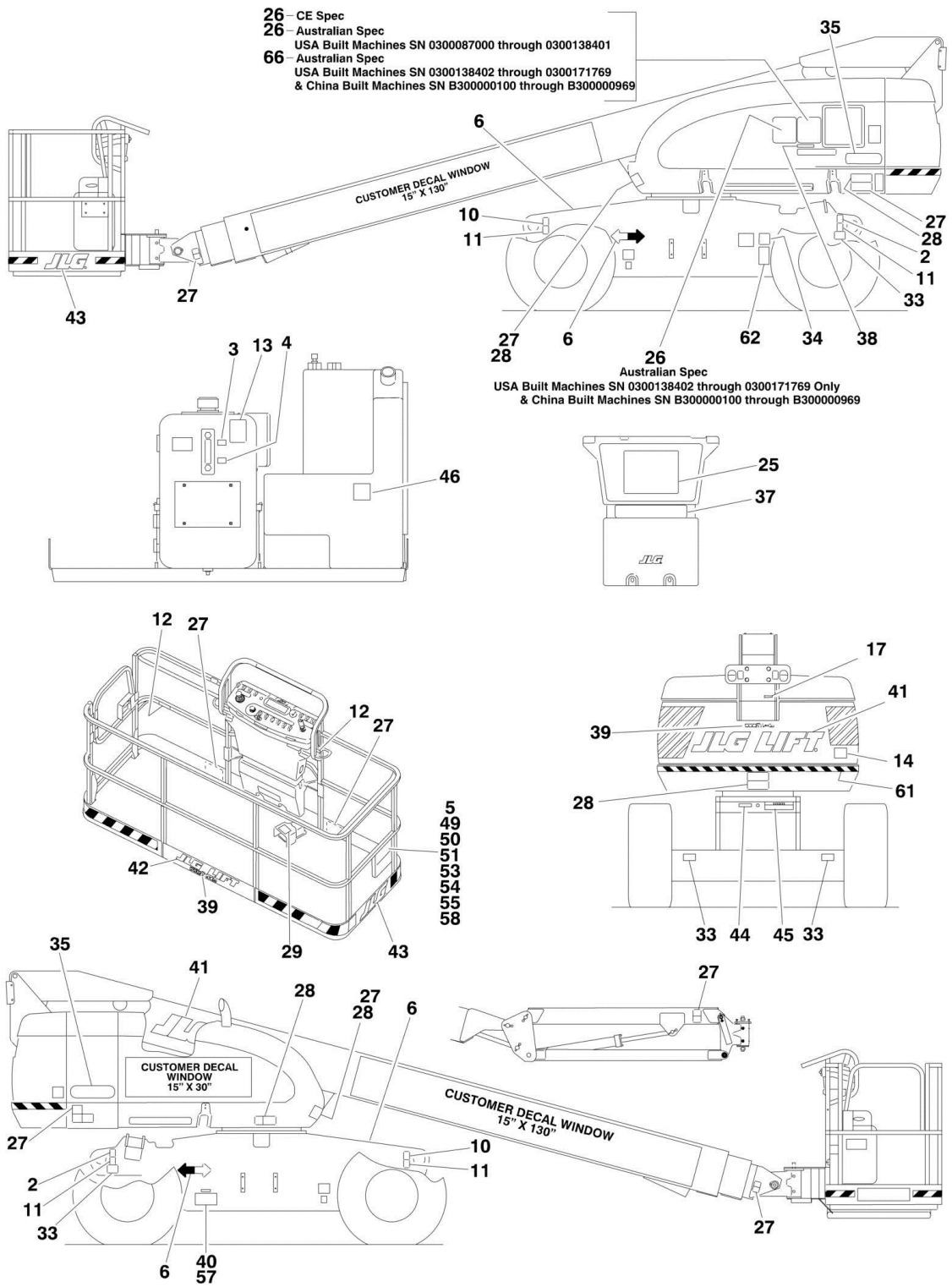
| ITEM | PART NUMBER | QTY | DESCRIPTION | REV |
|----------|--------------|------------------|---------------------------------|-----|
| 24 | 1701529 | 4 | Decal- Arrow | |
| 26 | 3820001 | 4 | Rivet | |
| 27 | 0641408 | 1 | Bolt 1/4in-20NC x 1in | |
| 28 | 1060279 | 1 | Cable, Lanyard | |
| 29 | 3311405 | AR | Locknut 1/4in-20NC | |
| 30 | 4751400 | AR | Flatwasher 1/4in | |
| 31 | 0860520 | 1 | Box, Manual Storage | |
| 32 | 3380434 | 1 | Panel, Pedestal | |
| 36 | 4420051 | 17.4 ft /5.3m | Decal - Warning Stripes | |
| 37 | | Ref | Nameplate - Capacity Options: | |
| 37 | 1703992 | 1 | Australian Spec | |
| 37 | 1701596 | 1 | Dutch Spec | |
| 37 | 1690697 | 1 | French Spec | |
| 37 | 1690697 | 1 | German Spec | |
| 37 | 1690697 | 1 | Italian Spec | |
| 37 | 1690697 | 1 | Norwegian Spec | |
| 37 | 1690697 | 1 | Spanish Spec | |
| 37 | 1690697 | 1 | UK Spec | |
| 38 | | Ref | Nameplate - Caution Options: | |
| 38 | Not Required | 0 | Not Required | |
| 38 | 1703186 | 1 | Dutch Spec | |
| 38 | 1703184 | 1 | French Spec | |
| 38 | 1703190 | 1 | German Spec | |
| 38 | 1703185 | 1 | Italian Spec | |
| 38 | 1705250 | 1 | Norwegian Spec | |
| 38 | 1703187 | 1 | Spanish Spec | |
| 38 | 1703183 | 1 | UK Spec | |
| 39 | | Ref | Nameplate - Caution Options: | |
| 39 | 1691483 | 1 | Australian Spec | |
| 39 | 1701596 | 1 | Dutch Spec | |
| 39 | 1693289 | 1 | French Spec | |
| 39 | 1693291 | 1 | German Spec | |
| 39 | 1701602 | 1 | Italian Spec | |
| 39 | 1705232 | 1 | Norwegian Spec | |
| 39 | 1701798 | 1 | Spanish Spec | |
| 39 | 1691483 | 1 | UK Spec | |
| 40 | | Ref | Nameplate - Footswitch Options: | |
| 40 | 3252347 | 1 | Australian Spec | |
| 40 | 1703518 | 1 | Dutch Spec | |
| 40 | 1693292 | 1 | French Spec | |
| 40 | 1693294 | 1 | German Spec | |
| 40 | 1701600 | 1 | Italian Spec | |
| 40 | 1705275 | 1 | Norwegian Spec | |
| 40 | 1701791 | 1 | Spanish Spec | |
| 40 | 3252347 | 1 | UK Spec | |
| 41 | 1701505 | 1 | Decal - Fuel (Diesel) | |
| 44 to 48 | Not Required | 0 | Not Required | |
| 53 | 0641406 | 4 | Bolt 1/4in-20NC x 3/4in | |
| 54 | 0100011 | AR | Compound, Locking | |
| 57 | | Ref | Decal - Wheel Load Options: | |
| 57 | 1703470 | 4 | Decal - Wheel Load 600S | |

SECTION 8 - DECALS

| ITEM | PART NUMBER | QTY | DESCRIPTION | REV |
|------|-------------|-----|--|-----|
| 57 | 1703471 | 4 | Decal - Wheel Load 600SJ | |
| 57 | 1703472 | 4 | Decal - Wheel Load 600SJ | |
| 58 | 0641414 | 2 | Bolt 1/4in-20NC x 1-3/4in | |
| 64 | 1704885 | 2 | Decal - Website | |
| | | Ref | OPTIONAL DECALS | |
| 101 | 3250872 | 1 | Nameplate - Steer/Tow Selection (Machines with Tow Package Only) | |
| 102 | | Ref | Decal - Tow Instructions Options: (Machines with Tow Package Only) | |
| 102 | 1702305 | 1 | 2WD (Machines with Tow Package Only) | |
| 102 | 1703403 | 1 | 4WD (Machines with Tow Package Only) | |

SECTION 8 - DECALS

FIGURE 8-6. DECAL INSTALLATION (AUSTRALIAN AND CE SPEC) (USA BUILT MACHINES AND CHINA BUILT MACHINES) (SN 0300087912 through 0300171769, SN B300000100 through B300000969)



SECTION 8 - DECALS

FIGURE 8-6. DECAL INSTALLATION (AUSTRALIAN AND CE SPEC) (USA BUILT MACHINES AND CHINA BUILT MACHINES) (SN 0300087912 through 0300171769, SN B300000100 through B300000969)

| ITEM | PART NUMBER | QTY | DESCRIPTION | REV |
|------|-------------|-----|--|-----|
| | | Ref | STANDARD DECAL INSTALLATIONS | |
| | 0274093 | Ref | Decal - JLG | 2 |
| | 0273875 | Ref | Standard Decal Installations 600S (Australian Specs) (USA Built Machines) (SN 0300087912 through 0300138401) | C |
| | 1001114385 | Ref | Standard Decal Installations 600S (Australian Specs) (USA Built Machines) (SN 0300138402 through 0300171769) | B |
| | 1001114385 | Ref | Standard Decal Installations 600S (Australian Specs) (China Built Machines) (SN B300000100 through B300000969) | B |
| | 0273875 | Ref | Standard Decal Installations 600S (CE Specs) | B |
| | 0273876 | Ref | Standard Decal Installations 600SJ (Australian Specs) (USA Built Machines) (SN 0300087912 through 0300138401) | 5 |
| | 1001114386 | Ref | Standard Decal Installations 600SJ (Australian Specs) (USA Built Machines) (SN 0300138402 through 0300171769) | 1 |
| | 0273876 | Ref | Standard Decal Installations 600SJ (CE Specs) | 4 |
| | 0273877 | Ref | Standard Decal Installations 660SJ (Australian Specs) (USA Built Machines) (SN 0300087912 through 0300138401) | B |
| | 1001114387 | Ref | Standard Decal Installations 660SJ (Australian Specs) (USA Built Machines) (SN 0300138402 through 0300171769) | B |
| | 1001114387 | Ref | Standard Decal Installations 660SJ (Australian Specs) (China Built Machines) (SN B300000100 through B300000969) | B |
| | 0273877 | Ref | Standard Decal Installations 660SJ (CE Specs) | 5 |
| 2 | 1701499 | 2 | Decal - No Tie Down /Lift | |
| 3 | 1701502 | 1 | Decal - High Oil Level (USA Built Machines) (SN 0300087912 through 0300133154) | |
| 4 | 1701503 | 1 | Decal - Low Oil Level (USA Built Machines) (SN 0300087912 through 0300133154) | |
| 5 | 1701509 | 1 | Decal - Manual | |
| 6 | 1701529 | 4 | Decal- Arrow | |
| 10 | 1703811 | 2 | Decal - Tie Down /Lift | |
| 11 | 1703814 | 4 | Decal - Tie Down | |
| 12 | 1704277 | 3 | Decal - Attach Lanyard Here | |
| 13 | 1704412 | 1 | Decal - Hydraulic Oil | |
| 14 | 1705084 | 1 | Decal - Sound Power Level | |
| 17 | | Ref | Nameplate Options: | |
| 17 | 3251243 | 1 | 120V-60Hz | |
| 17 | 3252507 | 1 | 220V-50/60Hz | |
| 25 | 1705921 | 1 | Decal - Tipping/Electrocution | |
| 26 | 1705822 | 1 | Decal - Electrocution/Safety Manual | |
| 27 | 1701518 | 8 | Decal - Warning Crushing | |
| 28 | 1705961 | 5 | Decal - Electrocution | |
| 29 | 1705828 | 1 | Nameplate - Footswitch | |
| 30 | 3251813 | 1 | Decal - USA (CE Spec Machines Built in USA Only) (Not Shown) (SN 0300151358 through 0300171769) | |
| 33 | | Ref | Decal - Tire Load Options: | |
| 33 | 1703470 | 4 | Decal - Tire Load (600S) | |
| 33 | 1703471 | 4 | Decal - Tire Load (600SJ) | |
| 33 | 1703472 | 4 | Decal - Tire Load (660SJ) | |
| 34 | See Note | NSS | Decal - Bar Code (Note: Not Available for Purchase) | |
| 35 | | Ref | Decal - Model Options: | |
| 35 | 1702815 | 2 | Decal - Model 600S | |

SECTION 8 - DECALS

| ITEM | PART NUMBER | QTY | DESCRIPTION | REV |
|------|-------------|------------|---|-----|
| 35 | 1702816 | 2 | Decal - Model 600SJ | |
| 35 | 1702817 | 2 | Decal - Model 660SJ | |
| 37 | 1705978 | 1 | Decal - Capacity | |
| 38 | 1705978 | 1 | Decal - Capacity | |
| 39 | 1704885 | AR | Decal - Website | |
| 40 | See Note | NSS | Nameplate - Serial Number (Note: Not Available for Purchase) | |
| 41 | 1702861 | 3 | Decal - JLG Lift (8in) | |
| 42 | 1702774 | 1 | Decal - JLG Lift (3-1/2in) | |
| 43 | 1702773 | 2 | Decal - JLG Lift (5in) | |
| 44 | 3250872 | 1 | Nameplate - Steer/Tow Selection (Machines with Tow Package Only) | |
| 45 | | Ref | Decal - Tow Instructions Options (Machines with Tow Package Only) | |
| 45 | 1702305 | 1 | Decal - Tow Instructions 2WD | |
| 45 | 1703403 | 1 | Decal - Tow Instructions 4WD | |
| 46 | | Ref | Decal - Fuel | |
| 46 | 1701542 | 1 | Ford and GM Engine Machines | |
| 46 | 1701505 | 1 | Caterpillar and Deutz Engine Machines | |
| 49 | 0100011 | AR | Compound, Locking | |
| 50 | 0641406 | 4 | Bolt 1/4in-20NC x 3/4in | |
| 51 | 0641408 | 1 | Bolt 1/4in-20NC x 1in | |
| 53 | 0860520 | 1 | Box, Manual Storage | |
| 54 | 1060279 | 1 | Cable, Lanyard | |
| 55 | 3311405 | 5 | Locknut 1/4in-20NC | |
| 57 | 3820001 | 4 | Rivet | |
| 58 | 4751400 | 10 | Flatwasher 1/4in | |
| 61 | 4420051 | 18 ft/5.3m | Decal - Warning Stripe | |
| 62 | | Ref | Decal - Patent Options | |
| 62 | 1700584 | 1 | USA Built Machines (SN 0300087912 through 0300143325) | |
| 62 | 1700584 | 1 | China Built Machines (SN B300000100 through B300000188) | |
| 62 | 1001131269 | 1 | USA Built Machines (SN 0300143326 through 0300161210) | |
| 62 | 1001131269 | 1 | China Built Machines (SN B300000189 through B300000631) | |
| 66 | 1001112551 | 1 | Decal - Emergency Controls (Australian Spec Only) (USA Built Machines) (SN 0300138402 through 0300171769) | |
| 66 | 1001112551 | 1 | Decal - Emergency Controls (Australian Spec Only) (China Built Machines) (SN B300000100 through B300000969) | |

SECTION 9 - RECOMMENDED SERVICE PARTS STOCK

SECTION 9 - RECOMMENDED SERVICE PARTS STOCK

SECTION 9 - RECOMMENDED SERVICE PARTS STOCK

FIGURE 9-1. MODEL 600SJ/660SJ STANDARD PARTS

| ITEM | PART NUMBER | QTY | DESCRIPTION | REV |
|------|-------------|-------|--|-----|
| | Note | Ref | Note: The following list will service one machine (built to current production per date on the front cover) with emergency repair parts which can be installed in the field. Parts from the list should be replaced when inventory is depleted to keep service parts stock supplied. For further information, contact your JLG dealer or the JLG Industries Parts Department. | |
| | | Ref | STANDARD PARTS | |
| | 2120210 | 4 | Element Filter | |
| | 2120149 | 4 | Element, Filter | |
| | 7020020 | 1 | Switch, Indicator | |
| | 7020021 | 1 | Switch, Indicator | |
| | 7012944 | 1 | Coil | |
| | 7012943 | 1 | Coil | |
| | 7018991 | 1 | Coil | |
| | 70000582 | 1 | Coil | |
| | 7012772 | 1 | Coil | |
| | 7012664 | 1 doz | Element, Air Cleaner | |
| | 3740067 | 1 | Relay | |
| | 4360436 | 1 | Switch, Fuel Level | |
| | 7024444 | 1 | Breather, Hydraulic Tank | |
| | 3740049 | 1 | Relay | |
| | 4360328 | 1 | Switch, Toggle | |
| | 2860030 | 1 | Key, Replacement | |
| | 4360475 | 1 | Switch, Mushroom | |
| | 4360476 | 1 | Switch, Contact Block | |
| | 2940074 | 1 | Latch | |
| | 4360331 | 1 | Switch, Toggle | |
| | 4360407 | 1 | Controller, Speed | |
| | 4360330 | 1 | Switch, Toggle | |
| | 1001212415 | 1 | Controller (Drive and Steer) | |
| | 4360387 | 1 | Switch, Push Button | |
| | 1001129555 | 1 | Controller (Lift and Swing) | |
| | 2400065 | 2 | Fuse, 30Amp | |
| | 3990010 | 2 | Diode | |

SECTION 9 - RECOMMENDED SERVICE PARTS STOCK

FIGURE 9-2. MODEL 600SJ/660SJ VARIABLE PARTS

| ITEM | PART NUMBER | QTY | DESCRIPTION | REV |
|------|-------------|-------|--|-----|
| | Note | Ref | Note: The following list will service one machine (built to current production per date on the front cover) with emergency repair parts which can be installed in the field. Parts from the list should be replaced when inventory is depleted to keep service parts stock supplied. For further information, contact your JLG dealer or the JLG Industries Parts Department. | |
| | | Ref | VARIABLE PARTS | |
| | 7026830 | 1 doz | Filter, Fuel (Caterpillar Engine Machines) | |
| | 7026811 | 1 doz | Filter, Oil (Caterpillar Engine Machines) | |
| | 1001112067 | 1 | Module, Engine Control (Caterpillar Engine Machines) | |
| | 7016328 | 1 doz | Filter, Fuel (Deutz Engine Machines) | |
| | 7016331 | 1 doz | Filter, Oil (Deutz Engine Machines) | |
| | 7026608 | 1 | Relay (Deutz Engine Machines) | |
| | 7027795 | 1 | Module, Control (Deutz Engine Machines) | |
| | 91083218 | 1 doz | Filter, Fuel (Ford Engine Machines) | |
| | 7021868 | 1 doz | Filter, Oil (Ford Engine Machines) | |
| | 1600374 | 1 | Module, EPM (Ford Engine Machines) | |
| | 7027972 | 1 doz | Filter, Fuel (GM Engine Machines) | |
| | 7027965 | 1 doz | Filter, Oil (GM Engine Machines) | |
| | 70002895 | 1 | Module, ECU (GM Engine Machines) | |
| | 4360517 | 1 | Switch, Proximity | |
| | 4360469 | 1 | Switch, Key (ANSI, ANSI Export and Australian Specs) | |
| | 4360470 | 1 | Switch, Key (CE Specs) | |
| | 1001103667 | 1 | Module - ADE (Ground Control) (Caterpillar, Deutz and GM Engine) | |
| | 4360578 | 1 | Switch, Limit | |
| | 3740080 | 1 | Relay (Machines with Generator) | |
| | 4360336 | 1 | Switch, Toggle (Machines with Generator) | |
| | 4360506 | 1 | Switch, Proximity (Australian and CE Specs Only) | |
| | 70002005 | 1 | Powertrack Repair Section (600S) | |
| | 70002007 | 1 | Powertrack Repair Section (660SJ) | |
| | 4360336 | 1 | Switch, Toggle (Machines with Floodlights) | |
| | 1600375 | 1 | Module - ADE (Platform Control) | |
| | 4360331 | 1 | Switch, Toggle (Machines with 4WS Options) | |
| | 4360336 | 1 | Switch, Toggle (Machines with Dual Fuel) | |
| | 4360522 | 1 | Switch, Toggle (Machines with Headlights/Chassis Worklights) | |
| | 4360070 | 1 | Breaker, Circuit (Machines with SkyPower) | |
| | 2400064 | 2 | Fuse - 5 Amp (Machines with SkyPower) | |
| | 4360232 | 1 | Breaker, Circuit (Machines with Platform Floodlights) | |
| | 4360057 | 1 | Switch, Limit (Machines with Soft Touch Option) | |
| | 2400070 | 2 | Fuse (Machines with Platform Worklights) | |

SECTION 10 - SPECIAL OPTIONS

SECTION 10 - SPECIAL OPTIONS

FIGURE 10-1. SPECIAL OPTIONS

| ITEM | PART NUMBER | QTY | DESCRIPTION | REV |
|------|-------------|-----|--|-----|
| | Note | Ref | Note: This list is to accommodate machines ordered with special equipment. Options may not be applicable to all models. For more specific parts information contact JLG Parts Department. | |
| | | Ref | MISCELLANEOUS SPECIAL OPTIONS | |
| | 1340061 | Ref | Air Cleaner Pre-Cleaner | |
| | | Ref | Airline to Platform Installation Options: | |
| | 0255388 | Ref | 1/2in 600S & 600SJ | |
| | 0255389 | Ref | 1/2in 660SJ | |
| | 1001093286 | Ref | 1/2in - 600S & 600SJ (Arctic Package Only) | |
| | 0275341 | Ref | 1/2in - 660SJ (Arctic Package Only) | |
| | 1001102674 | Ref | Dual 1/2in 600S | |
| | 0274219 | Ref | Battery Disconnect Switch | |
| | | Ref | Boom Wipers Installations | |
| | 0256273 | Ref | Bristle Brush Design | |
| | 1001121605 | Ref | Rubber Squeegee Design | |
| | 0273834 | Ref | Cable Installation - 600S (Fog Cannon) | |
| | | Ref | Cable and Clamp Installation for 4000W Generator (China Built Machine Only) | |
| | 1001153301 | Ref | Cable and Clamp Installation for 4000W Generator - 60Hz (600S ANSI Export Spec Only) | |
| | 1001153302 | Ref | Cable and Clamp Installation for 4000W Generator - 60Hz (660SJ ANSI Export Spec Only) | |
| | 0270733 | Ref | Cable and Clamp Installation for 4000W Generator - 60Hz (600S ANSI Export, Australian & Japanese Specs) | |
| | 0270736 | Ref | Cable and Clamp Installation for 4000W Generator - 60Hz (660SJ ANSI Export, Australian & Japanese Specs) | |
| | 1001220152 | Ref | Cable Add-on Kit (4000W/60Hz Generator) | |
| | | Ref | Cable Tray Carrier Installation (Australian Spec Only) | |
| | 1001116419 | Ref | 30in Platform | |
| | 1001116420 | Ref | 36in Platform | |
| | 0256789 | Ref | Camera Mount Assembly | |
| | | Ref | ClearSky Telematics (Factory Installed) | |
| | | Ref | Note: Refer to ClearSky (Telematics) Manual p/n 3128499 for Service Parts. | |
| | | Ref | ADE Machines (ABS Hoods) | |
| | 1001102841 | Ref | ANSI Spec | |
| | 1001102842 | Ref | ANSI Export and Japanese Specs | |
| | 1001104985 | Ref | CSA Spec | |
| | | Ref | ADE/UGM Machines (ABS Hoods) | |
| | 1001112990 | Ref | ANSI Spec | |
| | 1001112991 | Ref | ANSI Export and Japanese Specs | |
| | 1001112992 | Ref | CSA Spec | |
| | | Ref | ADE/UGM Machines (Steel Hoods) | |
| | 1001118963 | Ref | ANSI SPEC | |
| | 1001134103 | Ref | Australian Specs | |
| | 1001127087 | Ref | Brazil and New Zealand Specs | |
| | 1001118964 | Ref | CSA SPEC | |
| | | Ref | ClearSky Telematics Kit (Dealer Installed) | |
| | | Ref | ANSI Spec | |

SECTION 10 - SPECIAL OPTIONS

| ITEM | PART NUMBER | QTY | DESCRIPTION | REV |
|------|-------------|-----|---|-----|
| | 1001117251 | Ref | Pre-UGM | |
| | 1001119939 | Ref | UGM | |
| | | Ref | Australian Spec | |
| | 1001139132 | Ref | Pre-UGM | |
| | 1001139151 | Ref | UGM | |
| | | Ref | CSA Spec | |
| | 1001117258 | Ref | Pre-UGM | |
| | 1001119947 | Ref | UGM | |
| | 1001228357 | Ref | Telematics Retrofit Harness Kit | |
| | | Ref | Cold Weather Package Installation Options: | |
| | 0273575 | Ref | Caterpillar Engine | |
| | 0271912 | Ref | Deutz | |
| | 0255386 | Ref | Ford | |
| | 0275262 | Ref | GM | |
| | | Ref | Container - Tray Storage Options: | |
| | 1580012 | 1 | Center | |
| | 1580013 | 1 | Rail | |
| | 1001093389 | Ref | Cover, Fan | |
| | 1001115918 | Ref | Cribbing Installation | |
| | | Ref | Cylinder Bellows Installations | |
| | 0255929 | Ref | Boom Bellows Installation (600S) | |
| | 0255930 | Ref | Boom Bellows Installation (600SJ & 660SJ) | |
| | 0255354 | Ref | Frame Bellows Installation (2WS) | |
| | 0255356 | Ref | Frame Bellows Installation (4WS) | |
| | | Ref | Decal Installations Options: | |
| | 1702788 | 1 | Decal - Biodegradable Hydraulic Fluid Decal | |
| | 1703479 | 1 | Decal - Biodegradable Hydraulic Fluid (German Language) | |
| | 1704174 | 1 | Decal - Biodegradable (Synthetic) Hydraulic Fluid Decal | |
| | 1704175 | 1 | Decal - Biodegradable (Synthetic) Hydraulic Fluid (German Language) | |
| | 1001154501 | Ref | Decal - Boels Rentals | |
| | 1001116251 | Ref | Decal - ClearSky (ANSI Spec) (ABS Hoods) | |
| | 1001116252 | Ref | Decal - ClearSky (CSA Spec) (ABS Hoods) | |
| | 1001120992 | Ref | Decal - ClearSky (CSA Spec) (Steel Hoods) | |
| | 0253550 | Ref | Decal - CSA | |
| | 0274455 | Ref | Decal - FedEx (ANSI/CSA/CE Specs) | |
| | 0257195 | Ref | Decal - Government Warranty | |
| | 0273246 | Ref | Decal - Hertz (ANSI/CSA Specs) (SN 0300087000 through 0300147521) | |
| | 1001128985 | Ref | Decal - Hertz (ANSI/CSA Specs) (SN 0300147522 through 0300171769) | |
| | 0274528 | Ref | Decal - Head and Engquist Equipment (H&E) (ANSI Spec) | |
| | 1001143076 | Ref | Decal - Hewitt The Rental Store (English Language) (ANSI and CSA Specs) | |
| | 1001143511 | Ref | Decal - Hewitt The Rental Store (French Language) (ANSI and CSA Specs) | |
| | 0256957 | Ref | Decal - Lanyard Attach (GM K-1 Spec) | |
| | 1001140624 | Ref | Decal - Leavitt | |
| | 0274243 | Ref | Decal - National Equipment Services (NES) (ANSI/CSA Specs) | |
| | 0270465 | Ref | Decal - Nations Rent (ANSI/CSA Specs) | |
| | | Ref | Decal - No Hands (Chinese Language) Options (Platform with Mesh to Top Rail): | |
| | 1705968 | Ref | Decal - No Hands (Chinese Language) (USA Built Machines) | |

SECTION 10 - SPECIAL OPTIONS

| ITEM | PART NUMBER | QTY | DESCRIPTION | REV |
|------|-------------|-----|--|-----|
| | | | (SN 0300087000 through 0300140842) | |
| | 1001116846 | Ref | Decal - No Hands (Chinese Language) (USA Built Machines) | |
| | | | (SN 0300140843 through 0300171769) | |
| | 1001116846 | Ref | Decal - No Hands (Chinese Language) (China Built Machines) | |
| | | | (SN B300000100 through 0300171769) | |
| | 1704000 | Ref | Decal - No Hands (French Language) (Platform with Mesh to Top Rail) | |
| | 1702868 | Ref | Decal - No Hands (English Language) (Platform with Mesh to Top Rail) | |
| | 1705969 | Ref | Decal - No Hands Decal (Korean Language) (Platform with Mesh to Top Rail) | |
| | 1705967 | Ref | Decal - No Hands (Portugese Language) (Platform with Mesh to Top Rail) | |
| | 1704001 | Ref | Decal - No Hands (Spanish Language) (Platform with Mesh to Top Rail) | |
| | 0256487 | Ref | Decal - Prop 65 Warning (Diesel Machines) (California Spec) | |
| | 0256488 | Ref | Decal - Prop 65 Warning (Gasoline Machines) (California Spec) | |
| | 1001095383 | Ref | Decal - RSC (ANSI Spec) | |
| | 0271107 | Ref | Decal - Sunbelt (ANSI/CSA Specs) | |
| | 1001151066 | Ref | Decal - Titan Rentals (ANSI/CSA Specs) | |
| | 0271893 | Ref | Decal - United Rentals (ANSI/CSA Specs) | |
| | 1001098291 | Ref | Decal - UPS (ANSI/CSA Specs) | |
| | 1001141470 | Ref | Decal - Volvo Rents | |
| | | Ref | Decal Kits Options: | |
| | 2902307 | Ref | Decal Kit - Country Spec (ANSI and ANSI Export) | |
| | 2900974 | Ref | Decal Kit - Country Spec (Australian) (SN 0300087000 through 0300087911) | |
| | 2902329 | Ref | Decal Kit - Country Spec (Australian) (SN 0300087912 through 0300171769) | |
| | 2900937 | Ref | Decal Kit - Country Spec (Brazil) (600S) (SN 0300087000 through 0300087911) | |
| | 2910045 | Ref | Decal Kit - Country Spec (Brazil) (660SJ) (SN 0300087000 through 0300087911) | |
| | 2902312 | Ref | Decal Kit - Country Spec (Brazil) (SN 0300087912 through 0300171769) | |
| | 2900937 | Ref | Decal Kit - Country Spec (CE) (600S) (SN 0300087000 through 0300087911) | |
| | 2902329 | Ref | Decal Kit - Country Spec (CE) (600S/660SJ) (SN 0300087912 through 0300171769) | |
| | 2902322 | Ref | Decal Kit - Country Spec (CSA) | |
| | 1001116844 | Ref | Decal Kit - Country Spec (Chinese - Simplified) | |
| | 2902309 | Ref | Decal Kit - Country Spec (Chinese - Traditional) | |
| | 2900937 | Ref | Decal Kit - Country Spec (Japanese) (600S) (SN 0300087000 through 0300087911) | |
| | 2902308 | Ref | Decal Kit - Country Spec (Japanese) (600S/660SJ) (SN 0300087912 through 0300171769) | |
| | 2902310 | Ref | Decal Kit - Country Spec (Korean) | |
| | 2902311 | Ref | Decal Kit - Country Spec (Latin America) | |
| | 2900967 | NLA | Decal Kit - Complete (Use p/n 1001193633 or 1001193634) | |
| | 2902303 | Ref | Decal Kit - Master (Common Decals) | |
| | 1001193633 | Ref | Decal Kit - Machine (SN 0300087000 through 0300087911) | |
| | 1001193634 | Ref | Decal Kit - Machine (SN 0300087912 through 0300171769) | |
| | 1001108718 | Ref | Decal Kit - Platform | |
| | 1001119562 | Ref | Decal Kit - Platform Console Box | |
| | 2902304 | Ref | Decal Kit - Tire Load (600S) | |

SECTION 10 - SPECIAL OPTIONS

| ITEM | PART NUMBER | QTY | DESCRIPTION | REV |
|------|---------------|-----|--|-----|
| | 2902305 | Ref | Decal Kit - Tire Load (600SJ) | |
| | 2902306 | Ref | Decal Kit - Tire Load (660SJ) | |
| | 2902394 | Ref | Drive/Steer Cutout Kit | |
| | 1001109259 | Ref | Drive Orientation Kit - 660SJ, 2WS (Australian Spec Only) | |
| | | Ref | Electrical Connector Kits | |
| | 1001148902 | Ref | Amp/Tyco Electrical Connector Kit | |
| | 1001148903 | Ref | Deutsch DT Electrical Connector Kit | |
| | 1001148904 | Ref | Deutsch HD Electrical Connector Kit | |
| | 1001148905 | Ref | Packard Electrical Connector Kit | |
| | 1001148906 | Ref | Various Electrical Connectors Kit | |
| | | Ref | Engine Block Heater Installations: | |
| | 2580055 | Ref | Caterpillar Engine Machines | |
| | 0274227 | Ref | Deutz Engine Machines | |
| | 0258696 | Ref | Ford Engine Machines | |
| | 0275261 | Ref | GM Engine Machines | |
| | 1001093389 | Ref | Engine Fan Shield Installation | |
| | 1001153289 | Ref | Exhaust Pipe Extension (Deutz Tier IVi Engine and Steel Hoods Only) | |
| | | Ref | Filter Kits: | |
| | | Ref | Combined Filter Kit (Hydraulic/Air and Fuel/Engine Oil) | |
| | 1001114123 | NLA | Caterpillar Engines (Use p/n 1001110991) | |
| | 1001114124 | NLA | Caterpillar Engines (Use p/n 1001110991) | |
| | 1001110990 | 1 | Deutz Engines | |
| | 1001114041 | NLA | Ford LRG-425 Engines (Use p/n 1001114042) | |
| | 1001114037 | NLA | GM Engines (Use p/n 1001114127) | |
| | 1001109692 | 1 | Hydraulic/Air Filter | |
| | 1001110133 | 1 | Fuel/Engine Oil Filter (Deutz Engines Only) | |
| | 1001125824 | Ref | Fire Extinguisher Brackets Installation (Frame Mounted) | |
| | 1001139099 | Ref | Fire Extinguisher Installation (Platform Mounted) | |
| | 1001121554 | Ref | Fire Protection for Hoses and Cables | |
| | 0274233 | Ref | Fuel Filter Installation (Davco Filter) | |
| | | Ref | Footswitch Shield (Note: Move Decal to Shield) | |
| | 4060959 | Ref | USA Built Machines (SN 0300087000 through 0300093957) | |
| | 3380652 | Ref | USA Built Machines (SN 0300093958 through 0300167682) | |
| | 1001117294 | Ref | USA Built Machines (SN 0300167683 through 0300171769) | |
| | 1001175815 | Ref | Generator 4000W/50Hz Add-on Kit (Deutz D2011) | |
| | 1001213606 | Ref | Generator 4000W/60Hz Add-on Kit (Deutz D2011) | |
| | 0271548 | Ref | Glow Plugs Installation (Deutz Engine Machines) Options: | |
| | 2901691 | Ref | Kit, Intake Glow Plugs Installed In Intake (Deutz Engine Machines) | |
| | | Ref | Hood (Steel) Replacement Kit | |
| | 1001126287 | Ref | Caterpillar and GM Engine Machines | |
| | 1001126286 | Ref | Deutz Engine Machines | |
| | Not Available | Ref | Ford Engines Machines | |
| | | Ref | Hostile (Extreme) Environment Options: | |
| | 1001187495 | Ref | Hose Kit - Boom (SN 0300087000 through 0300087911) | |
| | 1001187496 | Ref | Hose Kit - Boom (SN 0300087912 through 0300171769) | |
| | 1001122603 | Ref | Hostile (Extreme) Environment Installation (2WS) | |
| | 1001121411 | Ref | Hostile (Extreme) Environment Installation (4WS) | |
| | 1001204925 | Ref | Hostile Environment Add-on Kit (600S) | |
| | 1001204926 | Ref | Hostile Environment Add-on Kit (660SJ) | |
| | 1001094475 | Ref | Hourmeter for Generator Installation | |

SECTION 10 - SPECIAL OPTIONS

| ITEM | PART NUMBER | QTY | DESCRIPTION | REV |
|------|-------------|-----|---|-----|
| | | Ref | Hydraulic Fluids Options: | |
| | 2300014 | Ref | Mobil 424 | |
| | 2300027 | Ref | Mobil 224H Bio | |
| | 2300029 | Ref | Mobil EAL ISO 46 Bio | |
| | 2300016 | Ref | Mobil DTE 10 Excel 32 | |
| | 2300019 | Ref | Quaker State Quintolubric 888-46 Fire Res | |
| | 2300039 | Ref | Exxon Univis HVI 26 | |
| | 1001148971 | Ref | Lanyard (Bolt-on) Kit Installation | |
| | | Ref | Loop Flushing Installations (Requires Oil Cooler Installation) | |
| | 0273741 | Ref | Loop Flushing Installations 2WD | |
| | 0273738 | Ref | Loop Flushing Installations 4WD | |
| | 1001147699 | Ref | Manual Storage Box Relocation Kit | |
| | | Ref | Oil Cooler Installations (Requires Loop Flushing Installation) | |
| | | Ref | Deutz Engine Machines | |
| | 0256762 | Ref | USA Built Machines (SN 0300087000 through 0300137649) | |
| | 1282665 | Ref | USA Built Machines (SN 0300087000 through 0300137649) | |
| | 1001108701 | Ref | USA Built Machines (SN 0300137650 through 0300171769) | |
| | 1001108701 | Ref | China Built Machines (SN B300000100 to Present) | |
| | 0272041 | Ref | Ford and GM Engine Machines | |
| | 1283309 | 1 | Ford and GM Engine Machines | |
| | | Ref | Platform Console Cover Installations | |
| | 0258703 | Ref | Flat Cover | |
| | 1001110974 | Ref | Curved Cover (All Specs except Chines and Korean Specs) | |
| | 1001125229 | Ref | Curved Cover (Korean Spec) | |
| | 1001125230 | Ref | Curved Cover (Chinese Spec) | |
| | | Ref | Platform Entry Kit | |
| | 1001142504 | Ref | Kit, Replace Swing Gate with Drop Bar | |
| | 1001142505 | Ref | Kit, Replace Drop Bar with Swing Gate | |
| | | Ref | Platform Huck Fasteners Replacement Hardware | |
| | 0641416 | AR | Bolt 1/4in-20NC x 2in | |
| | 3311405 | AR | Locknut 1/4in-20NC | |
| | 4711400 | AR | Flatwasher 1/4in | |
| | 3300151 | AR | Acorn Nut 1/4in-20NC | |
| | | Ref | Platform Mesh to Mid Rail Installation (Side-Entry) | |
| | 1001140318 | Ref | 30in x 48in Platform | |
| | 1001140315 | Ref | 30in x 60in Platform | |
| | 1001138772 | Ref | 30in x 72in Platform | |
| | 1001138773 | Ref | 36in x 96in Platform | |
| | | Ref | Platform Mesh to Top Rail Installation (Side-Entry) | |
| | 0273147 | Ref | 30in x 48in Platform | |
| | 0273146 | Ref | 30in x 60in Platform | |
| | 0273148 | Ref | 30in x 72in Platform | |
| | 0273149 | Ref | 36in x 72in Platform | |
| | 0273145 | Ref | 36in x 96in Platform | |
| | 1001149730 | Ref | Platform Mid Rail Repair Kit | |
| | | Ref | Platform Top Rail Extension (With Side Entry) | |
| | 0272733 | Ref | 3ftx6ft Platforms | |
| | 0272725 | Ref | 3ftx8ft Platforms | |
| | 2910073 | Ref | Power Track Hose and Clamp Kit | |
| | 1320247 | 1 | Clamp, Nylon | |
| | 0641522 | 1 | Bolt 5/16in-18NC x 2-3/4in | |

SECTION 10 - SPECIAL OPTIONS

| ITEM | PART NUMBER | QTY | DESCRIPTION | REV |
|------|-------------|-----|--|-----|
| | 3311505 | 1 | Locknut 5/16in-18NC | |
| | 4711500 | 2 | Flatwasher 5/16in | |
| | 2753084 | 1 | Hose | |
| | 1001100151 | Ref | Security Lock (Programmable) Installation | |
| | 1001116159 | Ref | Sky Power Kit, Deutz 7500W (600S Only) | |
| | | Ref | SkyGuard Component Options: | |
| | 1001149560 | Ref | SkyGuard Complete Add-on Kit (Non-UGM Machines) | |
| | 1001143669 | Ref | SkyGuard Complete Add-on Kit (UGM Machines) | |
| | 1001137672 | Ref | SkyGuard Platform Sensor Kit (UGM Machines) | |
| | 1001137440 | 1 | SkyGuard Sensor Harness | |
| | 1001186431 | 2 | Relay | |
| | 1001143256 | Ref | SkyGuard Blue Beacon Kit | |
| | 1001110926 | Ref | Soft Touch (Overhead) Installation (Chinese/Korean Specs Only) | |
| | | Ref | Strobe Light Installations (Amber) | |
| | 1001152965 | Ref | Platform Mounted | |
| | 1001154231 | Ref | Platform/Ground Mounted | |
| | 1001136698 | Ref | Tiedown Lug Kit (600S & 600SJ Only) | |
| | 0272302 | Ref | Tire Sealant Installation | |
| | 0272312 | Ref | Tire Sealant Decal Installation | |
| | 2902203 | 1 | Kit, Tire Sealant Decal | |
| | | Ref | Tools for Service | |
| | 7002840 | 1 | Anti-rotation Pin Removal Tool | |
| | 8896941 | 1 | Wire Stripper | |
| | 7002821 | 1 | Wire Crimper (To install wire ends to wires) | |
| | 7002823 | 1 | Pin/Socket Extractor - Universal (To Remove Pins/Sockets from Connectors) | |
| | 4460467 | 1 | Extractor - 16-18 Gauge (For Removal of Pin/Sockets from Deutsch Connectors) | |
| | 4460510 | 1 | Extractor - 12-14 Gauge (For Removal of Pin/Sockets from Deutsch Connectors) | |
| | 7002822 | 1 | Screwdriver, Potentiometer (To Adjust Drive Controllers) | |
| | 7016654 | 1 | Screwdriver, Magnetic | |
| | 7004275 | 1 | Seal Installation Tool - 1in | |
| | 7004276 | 1 | Seal Installation Tool - 1-1/2in | |
| | 7002826 | 1 | Seal Installation Tool - 2in | |
| | 7016655 | 1 | Wire Rope Sheave Gauge | |
| | 7016652 | 1 | Huck Bolt Faster (For Small Huck Bolts Only) | |
| | 1001137005 | 1 | Software Cable Kit | |
| | | Ref | Tool (Hydraulic) Installations Options: | |
| | 0272347 | Ref | Tool (Hydraulic) Installations 600S | |
| | 02723482348 | Ref | Tool (Hydraulic) Installations 600SJ | |
| | 0272349 | Ref | Tool (Hydraulic) Installations 660SJ | |
| | 0258918 | Ref | Utility Rack Installation | |
| | | Ref | Weld Leads to Platform Installation Options: | |
| | 0255399 | Ref | Weld Leads to Platform Installation 600S & 600SJ | |
| | 0255895 | Ref | Weld Leads to Platform Installation 660SJ | |
| | 0273449 | Ref | Wheel Cover Installation | |

PART NUMBER INDEX

PART NUMBER INDEX

| | | | |
|--|--------------------------|--------------------------|----------------------------------|
| 0060066.....200, 211 | 0255356.....401 | 0270734.....330, 348 | 0273045.....165 |
| 0060067.....195, 211 | 0255386.....401 | 0270735.....331, 348 | 0273048.....23, 35 |
| 0080163.....92 | 0255388.....400 | 0270736....331, 348, 400 | 0273049.....23, 35 |
| 0080181.....68, 78 | 0255389.....400 | 0270737.....331 | 0273052.....127 |
| 0080201.....99, 106, 111 | 0255399.....405 | 0270738.....331 | 0273058.....219 |
| 0080214.....99 | 0255524.....124 | 0270764.....226 | 0273067.....36 |
| 0080241.....140 | 0255698.....139 | 0270804.....213 | 0273076....339, 355, 363 |
| 0080243.....68, 78 | 0255881.....143 | 0270805.....140, 327 | 0273078....339, 355, 363 |
| 0100009.....225, 229 | 0255895.....405 | 0270833.....139 | 0273080.....17, 21 |
| 0100011....13, 17, 21, 23, 36, 39, 44, 53, 68, 71, 78, 79, 80, 81, 86, 88, 89, 98, 99, 104, 105, 106, 110, 111, 123, 127, 131, 135, 140, 141, 147, 150, 152, 156, 157, 158, 162, 166, 169, 173, 177, 185, 189, 196, 201, 202, 207, 213, 218, 249, 253, 259, 261, 265, 268, 285, 293, 295, 298, 305, 307, 323, 341, 357, 363, 368, 372, 377, 385, 390, 394 | 0255929.....401 | 0271014.....367, 389 | 0273081.....13, 17 |
| 0100019.....54, 147, 152, 158, 169, 179, 185, 189, 196, 201, 277 | 0255930.....401 | 0271107.....402 | 0273085.....165 |
| 0100020....68, 71, 79, 81, 86, 92, 98, 99, 104, 106, 110, 112, 124, 180, 268, 277, 280, 320 | 0256113.....339, 355 | 0271250.....123 | 0273145.....404 |
| 0100035....139, 140, 225, 229 | 0256122....147, 152, 158 | 0271372.....213 | 0273146.....404 |
| 0100038 13, 17, 286, 293, 295, 298, 305, 307, 323 | 0256201.....339, 355 | 0271548.....403 | 0273147.....404 |
| 0100048.....98, 104, 110, 131, 135, 140, 225, 229, 330, 333, 348, 350 | 0256252.....389 | 0271552....140, 226, 231 | 0273148.....404 |
| 0100062.....124, 179 | 0256253.....389 | 0271893.....402 | 0273149.....404 |
| 0100063.....295 | 0256254.....389 | 0271912.....326, 401 | 0273150.....13 |
| 0100079.....123 | 0256255.....389 | 0271940.....219, 227 | 0273161.....127 |
| 0100081....157, 214, 225, 229, 255 | 0256256.....389 | 0272041.....324, 404 | 0273194.....389 |
| 0140001.....44 | 0256257.....389 | 0272070.....196, 202 | 0273226.....13, 17 |
| 0140011.....225, 229 | 0256258.....375 | 0272130.....200 | 0273238.....23 |
| 0140032....140, 338, 354 | 0256273.....400 | 0272132.....195 | 0273239.....24 |
| 0181727...68, 87, 98, 104 | 0256305.....139 | 0272134.....200 | 0273240.....24 |
| 0181949.....125 | 0256306.....139 | 0272137.....200 | 0273242.....23 |
| 0200048.....249 | 0256487.....402 | 0272139.....200 | 0273243.....24 |
| 0200741.....166 | 0256488.....402 | 0272254.....261 | 0273244.....24 |
| 0200742.....166 | 0256569.....389 | 0272255.....177, 343 | 0273246.....401 |
| 0200819.....162 | 0256570.....389 | 0272302.....405 | 0273266.....401 |
| 0239585.....54 | 0256571.....389 | 0272312.....405 | 0273353.....268 |
| 0253550.....401 | 0256572.....389 | 0272341.....368 | 0273356.....21 |
| 0254798.....54 | 0256573.....389 | 0272347.....405 | 0273357.....17, 21, 231 |
| 0254849.....123 | 0256574.....389 | 02723482348.....405 | 0273362.....36 |
| 0255316.....54 | 0256575.....375 | 0272349.....405 | 0273366.....23, 35 |
| 0255329.....367 | 0256622.....389 | 0272387.....255 | 0273367.....23, 35 |
| 0255330.....375, 389 | 0256631.....226 | 0272391.....255 | 0273369.....195 |
| 0255331.....367 | 0256632.....226 | 0272395.....255 | 0273379.....13, 17 |
| 0255332.....375, 389 | 0256633.....226 | 0272418.....256 | 0273394.....17, 39 |
| 0255333.....367 | 0256634.....389 | 0272427....226, 231, 249 | 0273398.....39 |
| 0255334.....375, 389 | 0256663.....375 | 0272435....181, 187, 191 | 0273422.....13, 39 |
| 0255335.....139 | 0256672.....375 | 0272448.....261, 269 | 0273448.....39 |
| 0255354.....401 | 0256673.....375 | 0272483.....331, 348 | 0273449.....405 |
| | 0256690.....89 | 0272484.....331, 348 | 0273450.....277 |
| | 0256762.....324, 404 | 0272485.....331, 349 | 0273486....220, 227, 231 |
| | 0256789.....400 | 0272486.....331, 349 | 0273490....220, 227, 231 |
| | 0256823....147, 152, 158 | 0272487.....331 | 0273491....220, 227, 231, 327 |
| | 0256830.....146 | 0272488.....331 | 0273507.....169 |
| | 0256847.....92 | 0272492.....177, 343 | 0273511.....169 |
| | 0256957.....401 | 0272507....140, 338, 354 | 0273511.....169 |
| | 0257175.....339, 355 | 0272521.....259 | 0273536.....375 |
| | 0257195.....401 | 0272588.....259 | 0273537.....375 |
| | 0257493.....375 | 0272589.....181 | 0273540.....177, 343 |
| | 0257494.....375 | 0272590.....265 | 0273541.....177, 343 |
| | 0257728.....275 | 0272599.....265, 269 | 0273542.....253 |
| | 0257733.....389 | 0272606.....265 | 0273575.....326, 401 |
| | 0257887....140, 338, 354 | 0272607.....265 | 0273687.....277 |
| | 0258696.....403 | 0272640.....177, 343 | 0273706....227, 231, 249 |
| | 0258703.....404 | 0272725.....404 | 0273738.....404 |
| | 0258918.....405 | 0272733.....404 | 0273741.....404 |
| | 0258945.....227, 231 | 0272817.....185, 343 | 0273824....226, 231, 249 |
| | 0259328.....375 | 0272948.....255 | 0273834.....400 |
| | 0259329.....375 | 0272951.....255 | 0273867.....371 |
| | 0259330.....375 | 0272955.....255 | 0273868.....371 |
| | 0270329.....53 | 0272970.....219 | 0273869.....371 |
| | 0270465.....401 | 0272992.....24 | 0273870.....381 |
| | 0270528.....39 | 0272993.....24 | 0273871.....381 |
| | 0270733....330, 348, 400 | 0273001.....23 | 0273872.....381 |
| | | | 0273873.....381 |

PART NUMBER INDEX

| | | | | | | | |
|--------------|---------------|--------------|-----------------|--------------------------|------------------|----------------------------|----------------|
| 0273874..... | 381 | 0275452..... | 342, 358 | 0641405..... | 169, 173, 179, | 0641644..... | 214 |
| 0273875..... | 393 | 0275453..... | 342, 358 | 185, 189, 341, 357 | | 0641648..... | 214 |
| 0273876..... | 393 | 0275454..... | 342, 358 | 0641406..... | 68, 78, 98, 99, | 0641708..... | 185 |
| 0273877..... | 393 | 0275455..... | 339, 355 | 104, 106, 110, 112, | | 0641710..... | 173 |
| 0273882..... | 381 | 0275456..... | 339, 355 | 140, 146, 150, 156, | | 0641718..... | 169 |
| 0273883..... | 381 | 0275619..... | 39 | 196, 208, 219, 265, | | 0641772..... | 162, 166 |
| 0273884..... | 381 | 0275659..... | 339, 355 | 268, 279, 368, 372, | | 0641807..... | 213 |
| 0273885..... | 381 | 0275831..... | 331, 349 | 377, 385, 390, 394 | | 0641808... 68, 72, 78, 79, | |
| 0273886..... | 381 | 0275860..... | 23, 24 | 0641407.... | 68, 72, 78, 80, | 86, 98, 104, 105, 110, | |
| 0273887..... | 381 | 0275924..... | 331, 348 | 86, 89, 99, 105, 111, | | 111, 179, 189 | |
| 0273888..... | 381 | 0275925..... | 331, 348 | 137, 341, 357 | | 0641810... 169, 185, 189, | |
| 0273889..... | 381 | 0275926..... | 331 | 064140898, 99, 104, 110, | | 277 | |
| 0273890..... | 381 | 0275927..... | 331 | 156, 179, 219, 367, | | 0641811..... | 127 |
| 0274081..... | 161 | 0340041 ... | 68, 78, 89, 99, | 372, 376, 385, 390, 394 | | 0641812... 72, 80, 88, 99, | |
| 0274082..... | 165 | 106, 112 | | 0641410..... | 86, 341, 357, | 105, 111, 196, 202 | |
| 0274086..... | 165 | 0340046..... | 68, 78, 99 | 363 | | 0641813..... | 253 |
| 0274087..... | 161 | 0362519..... | 125 | 0641412..... | 124 | 0641814..... | 13, 17 |
| 0274090..... | 165 | 0362528..... | 139 | 0641414..... | 99, 220, 225, | 0641818.... | 89, 124, 143, |
| 0274093 | 371, 381, 393 | 0362609..... | 139 | 229, 249, 368, 377, 391 | | 156 | |
| 0274152..... | 23, 24 | 0362610..... | 139 | 0641416..... | 44, 104, 110, | 0641820..... | 68, 78, 127 |
| 0274209..... | 221 | 0362910..... | 39 | 202, 341, 357, 404 | | 0641824..... | 207 |
| 0274210 | 141, 226, 231 | 0363012..... | 35 | 0641418..... | 218, 253 | 0641826..... | 89, 107, 113 |
| 0274219..... | 400 | 0363082..... | 169 | 0641505.... | 178, 185, 189 | 0641828..... | 99, 106, 112 |
| 0274227..... | 403 | 0363097..... | 169, 185 | 0641506.... | 131, 136, 147, | 0642010... 39, 71, 80, 86, | |
| 0274233..... | 403 | 0363201..... | 185 | 150, 152, 157, 158, 279 | | 98, 104, 110 | |
| 0274243..... | 401 | 0363202..... | 185 | 0641507.... | 68, 72, 78, 79, | 0642012. 13, 17, 21, 196, | |
| 0274297..... | 86 | 0370026..... | 283 | 87, 99 | | 201, 255 | |
| 0274298..... | 86 | 0400075 ... | 68, 78, 86, 98, | 064150886, 98, 104, 110, | | 0642018..... | 53 |
| 0274316..... | 43 | 104, 110 | | 124, 162, 166, 169, 178 | | 0642026..... | 255 |
| 0274317..... | 43 | 0440170..... | 13 | 0641510..... | 79, 89, 173 | 0642212..... | 255 |
| 0274318..... | 43 | 0440171..... | 13 | 0641512..... | 147, 150 | 0642612..... | 140, 141 |
| 0274319..... | 43 | 0440207..... | 54 | 064151472, 98, 104, 110, | | 0642684..... | 196, 202 |
| 0274322..... | 23 | 0480100..... | 275 | 173, 275 | | 0651406..... | 44 |
| 0274455..... | 401 | 0480120..... | 162, 166 | 0641516..... | 39, 177, 185, | 0681608.... | 196, 202, 208 |
| 0274489..... | 98 | 0480121..... | 162, 166 | 189, 253, 363 | | 0681610..... | 207 |
| 0274490..... | 98 | 0480125..... | 179 | 0641518..... | 221 | 0681810..... | 23 |
| 0274491..... | 68 | 0480126..... | 179 | 0641522..... | 214, 404 | 0681814..... | 223 |
| 0274492..... | 70 | 0480129..... | 179 | 0641532..... | 35 | 0681822..... | 223 |
| 0274493..... | 70 | 0480130..... | 185 | 0641552..... | 35 | 0681836..... | 53 |
| 0274528..... | 401 | 0480135..... | 169 | 0641604..... | 196, 201 | 0682014.... | 147, 152, 158 |
| 0274661..... | 275 | 0480142..... | 173, 189 | 0641606.... | 71, 78, 89, 98, | 0682016..... | 23, 54 |
| 0274751..... | 150 | 0561076..... | 207 | 100, 106, 112, 125, | | 0700408.... | 341, 357, 363 |
| 0274755..... | 150 | 0561183..... | 207 | 151, 152, 201, 207, | | 0700616..... | 81, 157 |
| 0274925..... | 381 | 0561184..... | 207 | 259, 261, 265, 268 | | 0700620..... | 81 |
| 0274927..... | 226, 249 | 0561185..... | 207 | 0641607..... | 36, 156, 207 | 0700808.... | 68, 78, 81, 89 |
| 0275039..... | 173 | 0561237..... | 202 | 0641608.... | 13, 17, 21, 39, | 0700810.... | 92, 106, 112 |
| 0275099..... | 381 | 0561245..... | 207 | 44, 68, 71, 78, 81, 87, | | 0700815..... | 179 |
| 0275216..... | 343, 358 | 0561508..... | 208 | 89, 98, 99, 104, 106, | | 0700816..... | 162 |
| 0275217..... | 343, 359 | 0630458 | 196, 201, 213 | 110, 112, 124, 146, | | 0700819..... | 99 |
| 0275218..... | 343, 359 | 0630462..... | 249 | 150, 152, 157, 185, | | 0700820..... | 173, 189 |
| 0275219..... | 343, 359 | 0630464..... | 225, 229 | 189, 196, 201, 207, 214 | | 0701010..... | 68, 78, 81 |
| 0275230..... | 17, 21 | 0630485..... | 156 | 0641609.. | 68, 78, 89, 106, | 0701012.... | 68, 78, 92, 99 |
| 0275235..... | 339, 355 | 0630490..... | 14 | 112, 143, 147 | | 0701014..... | 99 |
| 0275237..... | 339, 355 | 0630491..... | 140 | 0641610.... | 68, 72, 78, 79, | 0701015. 68, 78, 92, 169, | |
| 0275253..... | 340, 355 | 0630498 .. | 68, 87, 98, 104 | 86, 89, 99, 106, 112, | | 185 | |
| 0275254..... | 339, 355 | 0630507 | 146, 150, 156 | 156, 162, 166, 201, | | 0701016.... | 173, 185, 189 |
| 0275256..... | 68 | 0630518 ... | 131, 135, 259, | 219, 279 | | 0701214..... | 68 |
| 0275257 | 189, 343, 359 | 261, 268 | | 0641611.... | 156, 169, 185, | 0701414..... | 68, 78, 89 |
| 0275261..... | 403 | 0630534 | 286, 293, 298 | 201 | | 0711025..... | 89 |
| 0275262..... | 326, 401 | 0630535 ... | 286, 298, 301, | 064161213, 99, 104, 106, | | 0711214..... | 68, 78 |
| 0275266..... | 104 | 307 | | 110, 112, 127, 169, 185 | | 0711414..... | 89 |
| 0275282..... | 104 | 0630536..... | 295 | 0641613..... | 44, 207 | 0721003..... | 13, 227, 231 |
| 0275285..... | 150 | 0630548..... | 131, 135 | 0641614.... | 123, 201, 208 | 0721004..... | 39, 180 |
| 0275339..... | 331, 349 | 0630568..... | 226, 230 | 0641616.... | 156, 207, 279 | 0721005..... | 167, 249 |
| 0275341..... | 400 | 0641403 | 139, 179, 208 | 0641618..... | 35, 180, 201 | 0721006.... | 70, 147, 150, |
| 0275342..... | 70 | 0641404 ... | 166, 179, 214, | 0641634..... | 208 | 162, 166, 226, 229 | |
| 0275343..... | 86 | 225, 229 | | 0641638..... | 208 | 0721008..... | 151, 152 |

PART NUMBER INDEX

| | | | | | | | |
|--------------|---|---------------|---|------------------|-------------------------|-----------------|-----------------------|
| 0741606..... | 169, 185 | 0861731 | 340, 356 | 0962521 | 185, 189 | 1001099839..... | 213 |
| 0741607..... | 39, 196, 201 | 0861781 | 340, 356 | 0962563 | 162 | 1001099868..... | 165 |
| 0741612..... | 207 | 0861782 | 340, 356 | 1001091179 | 90 | 1001099869..... | 163, 167 |
| 0741808..... | 169, 185 | 0861788 | 131 | 1001091303 | 43, 47 | 1001100027..... | 326, 338 |
| 0760606..... | 81, 99 | 0861789 | 131 | 1001091562 | 123 | 1001100120..... | 35 |
| 0760610..... | 81 | 0861880 | 342, 358 | 1001091583 | 106 | 1001100151..... | 405 |
| 0760612..... | 81 | 0902143 | 146, 150 | 1001091587 | 104, 111 | 1001100233..... | 162, 167 |
| 0761210..... | 81, 162 | 0902161 | 146, 150 | 1001091630 | 104 | 1001100234..... | 163, 167 |
| 0771212..... | 68, 78 | 0902206 | 140, 141 | 1001091631 | 104 | 1001100305..... | 339 |
| 0771415..... | 180 | 0902219 | 147, 150 | 1001091632 | 106 | 1001100308..... | 165 |
| 0801011..... | 205 | 0902223 | 146, 150 | 1001091634 | 105 | 1001100313..... | 69, 72 |
| 0801014..... | 206 | 0902351 | 146, 150 | 1001091635 | 105 | 1001100321..... | 161, 165, 169, 173 |
| 0801036..... | 205 | 0902384 | 147, 150 | 1001091794 | 107, 112 | 1001100341..... | 343, 358 |
| 0801038..... | 206 | 0902416 | 146, 150 | 1001091892 | 90, 107 | 1001100342..... | 343, 359 |
| 0801065..... | 206 | 0902491 | 146, 150 | 1001091911 | 123 | 1001100343..... | 343 |
| 0801372..... | 206 | 0902539 | 101 | 1001091970 | 359 | 1001100344..... | 343 |
| 0801373..... | 206 | 0902751 | 225, 229 | 1001091971 | 359 | 1001100345..... | 342, 358 |
| 0801381..... | 205 | 0902888 | 179, 186, 189 | 1001093274 | 221 | 1001100346..... | 342, 358 |
| 0801383..... | 205 | 0902910 | 73 | 1001093286 | 400 | 1001100347..... | 342, 358 |
| 0801386..... | 205 | 0902952 | 169 | 1001093382 | 68, 79, 87, 104, 111 | 1001100390..... | 340, 356 |
| 0801387..... | 205 | 0903010 | 101 | 1001093389 | 401, 403 | 1001100391..... | 340, 356 |
| 0801388..... | 205 | 0903056 | 127 | 1001093943 | 91 | 1001100392..... | 340, 356 |
| 0801389..... | 205 | 0903079 | 99 | 1001094102 | 89 | 1001100393..... | 340, 356 |
| 0801396..... | 205, 206 | 0903220 | 73 | 1001094103 | 88 | 1001100394..... | 340, 356 |
| 0801467..... | 205 | 0903484 | 341, 357 | 1001094104 | 86 | 1001100395..... | 340, 356 |
| 0801471..... | 205 | 0903510 | 104, 110 | 1001094321 | 91 | 1001100396..... | 340, 356 |
| 0801472..... | 205 | 0903611 | 341, 357 | 1001094475 | 403 | 1001101061..... | 64 |
| 0801473..... | 205 | 0920119 | 53 | 1001094521 | 91 | 1001101323..... | 151 |
| 0801474..... | 205 | 0940049 | 151, 156 | 1001094828 | 53 | 1001101324..... | 151 |
| 0801475..... | 205 | 0940070 | 68, 78, 89, 100, 106, 112 | 1001095383 | 402 | 1001101391..... | 151 |
| 0801480..... | 205 | 0940071 | 146, 150, 151 | 1001096070 | 342, 357 | 1001101392..... | 152 |
| 0801498..... | 206 | 0940088 | 147, 151 | 1001097150 | 342, 358 | 1001101421..... | 255 |
| 0801504..... | 206 | 0940092 | 249, 253 | 1001097242 | 14, 18, 21, 305 | 1001101422..... | 255 |
| 0801524..... | 206 | 0940094 | 249, 253 | 1001097348 | 25 | 1001101800..... | 23, 24 |
| 0801525..... | 206 | 0940102 | 255 | 1001097351 | 24 | 1001101801..... | 24 |
| 0801615..... | 206 | 0940103 | 249 | 1001097357 | 24 | 1001101802..... | 23 |
| 0860038..... | 178, 185, 189, 340, 356 | 0940131 | 253 | 1001097358 | 24 | 1001102547..... | 161 |
| 0860520..... | 367, 372, 376, 386, 390, 394 | 0940133 | 249 | 1001097373 | 24 | 1001102548..... | 161 |
| 0861389..... | 131 | 0940134 | 249 | 1001097374 | 24 | 1001102601..... | 132, 136 |
| 0861511..... | 219, 225 | 0940159 | 253 | 1001097377 | 24 | 1001102602..... | 132, 136 |
| 0861537..... | 225, 226, 229, 230 | 0940177 | 249 | 1001097387 | 24 | 1001102644..... | 162 |
| 0861538..... | 180, 185, 189 | 0961845 | 219 | 1001097388 | 24 | 1001102647..... | 255 |
| 0861541..... | 180, 186, 190 | 0961893 | 285, 293, 297 | 1001097553 | 81 | 1001102674..... | 400 |
| 0861542..... | 178, 180, 185, 186, 189, 190, 344, 359 | 0961894 | 285, 297 | 1001097554 | 73 | 1001102841..... | 400 |
| 0861567..... | 178, 180, 344, 359 | 0961897 | 307 | 1001097960 | 152 | 1001102842..... | 400 |
| 0861572..... | 180 | 0961898 | 295 | 1001097961 | 152 | 1001103667..... | 136, 398 |
| 0861599..... | 167 | 0961947 | 201, 285, 289, 297 | 1001098012 | 268, 273 | 1001104308..... | 91 |
| 0861602..... | 167 | 0961950 | 13, 17, 196, 201, 208, 295 | 1001098149 | 268 | 1001104985..... | 400 |
| 0861604..... | 363 | 0961951 | 196, 201, 206, 208, 285, 291, 297, 301 | 1001098211 | 92 | 1001105321..... | 13 |
| 0861606..... | 363 | 0961977 | 13, 17, 21, 303 | 1001098291 | 402 | 1001105833..... | 69, 79 |
| 0861607..... | 167 | 0961986 | 68, 78, 89, 99, 106, 112 | 1001098475 | 88 | 1001105872..... | 107 |
| 0861642..... | 277 | 0962006 | 196, 201 | 1001098476 | 89 | 1001105993..... | 68 |
| 0861685..... | 131 | 0962051 | 143 | 1001098503 | 35 | 1001106338..... | 68 |
| 0861686..... | 131 | 0962131 | 14, 18, 21 | 1001098916 | 92 | 1001106339..... | 352 |
| 0861687..... | 131 | 0962270 | 223 | 1001099196 | 18, 21 | 1001106340..... | 352 |
| 0861688..... | 131 | 0962292 | 39 | 1001099215 | 86 | 1001106355..... | 229 |
| 0861694..... | 131 | 0962335 | 201 | 1001099216 | 86 | 1001106479..... | 139 |
| 0861695..... | 131 | 0962336 | 293 | 1001099217 | 88 | 1001106481..... | 139 |
| 0861696..... | 131 | 0962348 | 39 | 1001099366 | 255 | 1001106482..... | 139 |
| 0861697..... | 131 | 0962356 | 305 | 1001099367 | 255 | 1001106736..... | 137, 350 |
| 0861698..... | 131 | 0962449 | 163, 167 | 1001099376 | 255 | 1001106974..... | 127 |
| 0861699..... | 131 | 0962520 | 180, 185, 189 | 1001099387 | 18, 21 | 1001106975..... | 127, 128 |
| | | | | 1001099391 | 43, 44 | 1001107116..... | 78 |
| | | | | 1001099421 | 255 | 1001107229..... | 70 |
| | | | | 1001099422 | 255 | 1001107236..... | 70 |
| | | | | 1001099832 | 213 | 1001107237..... | 70 |

PART NUMBER INDEX

| | | | |
|----------------------------|---------------------------|---------------------------|---------------------------|
| 1001107498 127 | 1001110873..... 177, 186, | 1001113821..... 321 | 1001115405 165 |
| 1001107499 127 | 190, 340, 343, 356, 359 | 1001113822..... 321 | 1001115409 165 |
| 1001107527 225 | 1001110926..... 405 | 1001113823..... 322, 323 | 1001115410 165 |
| 1001107677 230 | 1001110974..... 404 | 1001113826..... 323 | 1001115413 161 |
| 1001107705 69, 79 | 1001110979..... 253 | 1001113832..... 320 | 1001115414 161 |
| 1001107753 226, 230, | 1001110980..... 253 | 1001113833..... 321 | 1001115918 401 |
| 330, 348 | 1001110982..... 253 | 1001113834..... 321 | 1001115930 111 |
| 1001107926 231 | 1001110990..... 403 | 1001113835..... 314 | 1001116159 405 |
| 1001107927 230 | 1001111017..... 135 | 1001113836..... 314 | 1001116240 . 71, 87, 336, |
| 1001108126 133, 333, | 1001111346..... 219 | 1001113838..... 313 | 337, 353 |
| 334 | 1001111514..... 123 | 1001113854..... 313 | 1001116241 .. 71, 87, 336 |
| 1001108256 226, 231, | 1001112057..... 81 | 1001113855..... 323 | 1001116251 401 |
| 249 | 1001112059..... 81 | 1001113862..... 313 | 1001116252 401 |
| 1001108341 195 | 1001112067..... 81, 398 | 1001113864..... 313 | 1001116290 157, 158 |
| 1001108342 200 | 1001112068..... 81 | 1001113866..... 313 | 1001116292 157, 158 |
| 1001108493 373, 386 | 1001112069..... 81 | 1001113868..... 314 | 1001116341 123 |
| 1001108602 137, 350, | 1001112070..... 81 | 1001113878..... 314 | 1001116419 400 |
| 352 | 1001112071..... 81, 353 | 1001113879..... 317 | 1001116420 400 |
| 1001108701 324, 404 | 1001112072..... 81 | 1001113880..... 322 | 1001116456 156 |
| 1001108718 402 | 1001112073..... 81 | 1001113890..... 313 | 1001116544 112 |
| 1001108763 230 | 1001112075..... 82 | 1001113893..... 321 | 1001116545 112 |
| 1001108764 230 | 1001112077..... 79, 81 | 1001113894..... 314 | 1001116562 156 |
| 1001108790 219, 229 | 1001112467..... 295 | 1001113895..... 314 | 1001116595 82 |
| 1001108791 219, 231 | 1001112468..... 195, 200, | 1001113896..... 321 | 1001116839 381 |
| 1001108792 219, 231 | 295 | 1001113898..... 314 | 1001116844 402 |
| 1001108923 371 | 1001112551..... 394 | 1001113899..... 321 | 1001116845 382 |
| 1001109064 81, 82 | 1001112570..... 82 | 1001113905..... 320 | 1001116846 382, 402 |
| 1001109065 78 | 1001112586..... 181, 326, | 1001113906..... 323 | 1001116847 382 |
| 1001109259 403 | 360 | 1001113907..... 320 | 1001116848 382 |
| 1001109475 342, 358 | 1001112587..... 181, 360 | 1001113911..... 323 | 1001116849 382 |
| 1001109477 342, 358 | 1001112588..... 326, 355 | 1001113912..... 322 | 1001116850 382 |
| 1001109482 342, 358 | 1001112589..... 355 | 1001113913..... 317 | 1001116851 383 |
| 1001109554 342, 357 | 1001112592..... 82 | 1001113914..... 317 | 1001116852 383 |
| 1001109595 79 | 1001112612..... 352 | 1001113961..... 241, 245 | 1001116853 383 |
| 1001109692 403 | 1001112743..... 326, 354 | 1001114037 403 | 1001116854 384 |
| 1001110133 403 | 1001112763..... 81, 352 | 1001114041 403 | 1001116863 386 |
| 1001110166 156 | 1001112849..... 82 | 1001114070 324 | 1001117172 220 |
| 1001110169 53, 61 | 1001112941..... 381 | 1001114072 320, 324 | 1001117174 220 |
| 1001110201 80 | 1001112990..... 400 | 1001114073..... 320, 324 | 1001117234 156 |
| 1001110202 80 | 1001112991..... 400 | 1001114074..... 313, 324 | 1001117249 156 |
| 1001110203 80 | 1001112992..... 400 | 1001114075..... 317, 324 | 1001117251 401 |
| 1001110209 79 | 1001113047..... 156 | 1001114123..... 403 | 1001117258 401 |
| 1001110210 79 | 1001113386..... 200 | 1001114124..... 403 | 1001117294 403 |
| 1001110211 79 | 1001113407..... 200 | 1001114335..... 217 | 1001117307 156 |
| 1001110345 327 | 1001113423..... 200 | 1001114341 218 | 1001117320 220 |
| 1001110348 135 | 1001113465..... 202 | 1001114385..... 393 | 1001117429 156 |
| 1001110349 135 | 1001113560..... 18, 21 | 1001114386..... 393 | 1001117430 156 |
| 1001110350 135 | 1001113575..... 18, 21 | 1001114387..... 393 | 1001117523 156 |
| 1001110351 135 | 1001113597..... 17 | 1001114391..... 217 | 1001117525 157 |
| 1001110352 135 | 1001113644..... 17 | 1001114447..... 219, 231 | 1001117543 157 |
| 1001110353 135 | 1001113653..... 17 | 1001114449..... 219, 229 | 1001117598 157 |
| 1001110354 135 | 1001113674..... 18 | 1001114595..... 111 | 1001117612 157 |
| 1001110355 135 | 1001113789..... 317 | 1001114632..... 111 | 1001117799 . 80, 88, 111, |
| 1001110356 135 | 1001113793..... 313 | 1001114643..... 111 | 117, 118 |
| 1001110357 135 | 1001113794..... 313 | 1001114644..... 110 | 1001117939 381 |
| 1001110359 137, 327, | 1001113797..... 321 | 1001114645..... 111 | 1001118133 124 |
| 350, 351 | 1001113798..... 320 | 1001114646..... 110 | 1001118264 157 |
| 1001110361 137, 350, | 1001113801..... 321 | 1001114668..... 213 | 1001118416 229, 245 |
| 351 | 1001113805..... 313 | 1001114816..... 213 | 1001118417 229, 235 |
| 1001110362 136, 350, | 1001113807..... 322 | 1001115098..... 202 | 1001118550 157 |
| 351 | 1001113808..... 323 | 1001115236..... 213 | 1001118599 179 |
| 1001110363 350 | 1001113809..... 313 | 1001115387..... 177, 359 | 1001118715 157 |
| 1001110364 327, 350 | 1001113811..... 322 | 1001115389..... 177, 359 | 1001118716 157 |
| 1001110365 327, 350 | 1001113812..... 322 | 1001115393..... 177, 359 | 1001118718 156 |
| 1001110872 177, 186, | 1001113813..... 322 | 1001115398..... 177, 359 | 1001118735 157 |
| 190, 343, 359 | 1001113814..... 322 | 1001115400..... 177, 359 | 1001118963 400 |
| | 1001113818..... 314 | 1001115404..... 161 | 1001118964 400 |

PART NUMBER INDEX

| | | | |
|--------------------------|---------------------------------------|--------------------------|---|
| 1001119283..... 157 | 1001127087..... 400 | 1001144018..... 218 | 1001193634..... 402 |
| 1001119562..... 230, 402 | 1001127195..... 196 | 1001144019..... 218 | 1001204925..... 403 |
| 1001119939..... 401 | 1001127196..... 196 | 1001144021..... 218 | 1001204926..... 403 |
| 1001119947..... 401 | 1001127285..... 205 | 1001144022..... 218 | 1001212415..... 396 |
| 1001120508..... 157 | 1001128479..... 218 | 1001144023..... 217 | 1001213606..... 403 |
| 1001120992..... 401 | 1001128598..... 218 | 1001144024..... 217 | 1001220152..... 400 |
| 1001121059..... 157 | 1001128985..... 401 | 1001144026..... 217 | 1001223331..... 200, 285 |
| 1001121061..... 157 | 1001129305..... 14, 18 | 1001144027..... 217 | 1001223332..... 285 |
| 1001121118..... 157 | 1001129555..... 396 | 1001144629..... 218 | 1001223511..... 285 |
| 1001121119..... 157 | 1001131269..... 373, 386, 394 | 1001145279..... 43 | 1001223512..... 195, 285 |
| 1001121340..... 181, 191 | 1001131992..... 327 | 1001145280..... 43 | 1001228008..... 289 |
| 1001121410..... 195 | 1001133057..... 18, 21 | 1001145281..... 43 | 1001228012..... 200 |
| 1001121411..... 403 | 1001133061..... 18, 21 | 1001145282..... 43 | 1001228051..... 291 |
| 1001121554..... 403 | 1001134103..... 400 | 1001145781..... 218, 219 | 1001228052..... 200, 301 |
| 1001121592..... 250 | 1001136698..... 405 | 1001145996..... 95 | 1001228357..... 401 |
| 1001121593..... 250 | 1001137005..... 405 | 1001146179..... 217 | 1060279..... 367, 372, 376, 386, 390, 394 |
| 1001121605..... 400 | 1001137440..... 405 | 1001146180..... 217 | 1060341..... 249, 338, 354 |
| 1001121639..... 17, 21 | 1001137458..... 43, 45 | 1001146181..... 218 | 1060343..... 180, 187, 190, 344, 360 |
| 1001121655..... 385 | 1001137672..... 405 | 1001146182..... 218 | 1060379..... 275 |
| 1001121656..... 384 | 1001137748..... 92 | 1001147699..... 404 | 1060461..... 167, 339 |
| 1001121657..... 231 | 1001137749..... 89 | 1001148650..... 207 | 1060494..... 180, 186, 190, 339, 344, 355, 359 |
| 1001121800..... 371, 372 | 1001137750..... 88 | 1001148651..... 207, 208 | 1060584..... 39 |
| 1001121801..... 371, 372 | 1001137752..... 89 | 1001148652..... 207 | 1060625..... 72, 80, 87 |
| 1001121802..... 384 | 1001137753..... 88 | 1001148653..... 209 | 1060626..... 70, 81, 87 |
| 1001121803..... 384 | 1001137761..... 88 | 1001148678..... 95, 156 | 1060633..... 345, 361 |
| 1001121804..... 384 | 1001137762..... 86 | 1001148902..... 403 | 1060637..... 68, 78, 86, 98, 104, 106, 111 |
| 1001121805..... 384 | 1001137763..... 86 | 1001148903..... 403 | 1060708..... 180, 186, 190, 344, 360 |
| 1001121806..... 384 | 1001137764..... 86 | 1001148904..... 403 | 1060896..... 331, 349 |
| 1001121807..... 384 | 1001137766..... 86 | 1001148905..... 403 | 1060903..... 249 |
| 1001121808..... 384 | 1001138035..... 324 | 1001148906..... 403 | 1060904..... 71, 89, 337, 338 |
| 1001121809..... 384 | 1001138430..... 218 | 1001148971..... 404 | 1060908..... 342, 358 |
| 1001121810..... 384 | 1001138431..... 218 | 1001149560..... 405 | 1060918..... 220, 330, 348 |
| 1001121811..... 384 | 1001138432..... 218 | 1001149730..... 404 | 1060919..... 223 |
| 1001121813..... 372 | 1001138434..... 218 | 1001149818..... 140, 354 | 1060977..... 345, 360 |
| 1001121814..... 372 | 1001138494..... 219 | 1001149924..... 255 | 1061026..... 332, 333, 350 |
| 1001121815..... 385 | 1001138514..... 219 | 1001149955..... 140 | 1061027..... 332, 350 |
| 1001121816..... 385 | 1001138772..... 404 | 1001149955..... 140 | 1120304..... 14 |
| 1001121817..... 385 | 1001138773..... 404 | 1001150406..... 140 | 1120362..... 123 |
| 1001121818..... 385 | 1001138796..... 291, 301 | 1001150998..... 90 | 1120484..... 123 |
| 1001121819..... 385 | 1001139099..... 403 | 1001151066..... 402 | 1120487..... 123 |
| 1001121820..... 385 | 1001139132..... 401 | 1001151393..... 136 | 1120552..... 25 |
| 1001121821..... 385 | 1001139151..... 401 | 1001152037..... 217 | 1120555..... 256 |
| 1001121822..... 385 | 1001139373..... 218 | 1001152429..... 360 | 1180345..... 213 |
| 1001121823..... 385 | 1001139374..... 218 | 1001152486..... 357 | 1180359..... 213 |
| 1001121824..... 385 | 1001140315..... 404 | 1001152965..... 405 | 1220078..... 206 |
| 1001121891..... 110 | 1001140318..... 404 | 1001153025..... 326 | 1260017..... 54 |
| 1001121918..... 384 | 1001140429..... 219 | 1001153289..... 403 | 1282571..... 326 |
| 1001121921..... 385 | 1001140591..... 195 | 1001153301..... 400 | 1282665..... 324, 404 |
| 1001122200..... 384 | 1001140593..... 195 | 1001153302..... 400 | 1283235..... 327 |
| 1001122201..... 385 | 1001140624..... 401 | 1001154231..... 405 | 1283264..... 326 |
| 1001122472..... 196 | 1001141470..... 402 | 1001154501..... 401 | 1283309..... 324, 404 |
| 1001122603..... 403 | 1001141967..... 340, 356 | 1001154592..... 341 | 1283363..... 324 |
| 1001123000..... 111 | 1001141968..... 340, 341, 356, 357 | 1001157525..... 178 | 1300019..... 25 |
| 1001125097..... 157 | 1001141969..... 340, 341, 356, 357 | 1001157592..... 178 | 1320012..... 99, 106, 112 |
| 1001125229..... 404 | 1001142504..... 404 | 1001159648..... 326 | 1320016..... 68, 78, 89, 99, 106, 112 |
| 1001125230..... 404 | 1001142505..... 404 | 1001163131..... 256 | 1320022..... 72, 80, 86, 89, 92, 98, 99, 104, 106, 110, 112 |
| 1001125492..... 54 | 1001142506..... 404 | 1001163296..... 256 | 1320033..... 99 |
| 1001125631..... 205 | 1001143076..... 401 | 1001163297..... 256 | 1320127..... 124 |
| 1001125824..... 403 | 1001143256..... 405 | 1001166538..... 247 | 1320149..... 341, 357, 363 |
| 1001126126..... 206 | 1001143365..... 43 | 1001166539..... 237 | |
| 1001126145..... 206 | 1001143450..... 320 | 1001175815..... 403 | |
| 1001126154..... 206 | 1001143451..... 320 | 1001178269..... 211 | |
| 1001126286..... 403 | 1001143455..... 320 | 1001181057..... 211 | |
| 1001126287..... 403 | 1001143456..... 320 | 1001186431..... 405 | |
| 1001126509..... 205 | 1001143511..... 401 | 1001187495..... 403 | |
| 1001126596..... 205 | 1001143669..... 405 | 1001187496..... 403 | |
| 1001126597..... 205 | | 1001193633..... 402 | |

PART NUMBER INDEX

| | | | |
|---|---|---|--|
| 1320176 72, 80, 90, 95 | 1683055 285, 297 | 1701602..... 390 | 1703453 375 |
| 1320177 265, 268 | 1683057 307 | 1701643..... 25 | 1703465 132 |
| 1320218 125 | 1683067 295 | 1701645..... 367, 371, 372 | 1703466 132 |
| 1320220 124 | 1683208 .. 14, 18, 21, 303 | 1701791..... 390 | 1703470... 368, 371, 377, 383, 390, 393 |
| 1320222 98, 104, 110 | 1683250 307 | 1701798..... 390 | 1703471 ... 371, 383, 391, 393 |
| 1320223 ... 70, 71, 78, 80, 81, 88, 90, 100, 106, 112 | 1683263 200, 297 | 1701923..... 377 | 1703472... 371, 377, 383, 391, 393 |
| 1320224 81, 179, 185 | 1683266 195, 297 | 1701924..... 377 | 1703479 401 |
| 1320235 196, 201 | 1683359 307 | 1702153..... 367, 371 | 1703518 390 |
| 1320244 208 | 1683415 195, 285 | 1702300..... 367, 376, 389 | 1703533 323 |
| 1320245 124 | 1683418 200, 285 | 1702305..... 368, 372, 385, 391, 394 | 1703536 377 |
| 1320247 214, 404 | 1683609 200, 293 | 1702387..... 226 | 1703538 377 |
| 1320263 82 | 1683618 206, 307 | 1702552..... 376 | 1703548 377 |
| 1320302 ... 259, 261, 265, 268 | 1683619 307 | 1702565..... 225, 229 | 1703683 275 |
| 1320323 104, 110 | 1683620 206, 307 | 1702566..... 225, 229 | 1703797 367, 371 |
| 1321138 99 | 1683621 307 | 1702567..... 225, 229 | 1703798 367 |
| 1321384 151, 152, 156 | 1683666 ... 195, 200, 295 | 1702573..... 376, 386 | 1703804 367, 371 |
| 1340060 ... 68, 78, 90, 99, 106, 112 | 1683949 297 | 1702581..... 376 | 1703805 367, 371 |
| 1340061 400 | 1683952 285 | 1702583..... 375 | 1703808 ... 368, 373, 377, 386 |
| 1380147 143 | 1683954 295 | 1702585..... 375 | 1703811 371, 381, 393 |
| 14922737 337 | 1683955 295 | 1702590..... 170, 174 | 1703814 371, 381, 393 |
| 1580011 69, 78, 101, 106, 112 | 1683962 297 | 1702676..... 220, 227, 231 | 1703899 376 |
| 1580012 221, 401 | 1683963 285, 297 | 1702688..... 368, 372 | 1703923 382 |
| 1580013 221, 401 | 1683972 297 | 1702701..... 25 | 1703924 376, 382 |
| 1600244 345, 361 | 1683973 297 | 1702720..... 372, 378, 385 | 1703925 376, 382 |
| 1600317 225, 229, 233 | 1683976 285 | 1702773..... 223, 367, 372, 376, 385, 389, 394 | 1703926 382 |
| 1600318 225, 229, 241 | 1683977 285 | 1702774.... 367, 372, 376, 385, 389, 394 | 1703927 376, 382 |
| 1600361 73 | 1684089 293 | 1702784.... 367, 373, 376, 386 | 1703930 375 |
| 1600364 131 | 1684090 293 | 1702788..... 401 | 1703931 375 |
| 1600374 101, 398 | 1684280 13, 17, 283 | 1702815.... 367, 371, 375, 383, 389, 393 | 1703933 375 |
| 1600375 225, 229, 398 | 1684289 283 | 1702816.... 367, 371, 375, 383, 389, 394 | 1703935 383 |
| 1600411 131 | 1684290 283 | 1702817.... 367, 371, 376, 383, 389, 394 | 1703936 375, 383 |
| 1660234 92 | 1684413 200, 297 | 1702861.... 367, 372, 376, 385, 389, 394 | 1703937 375, 383 |
| 1660239 69, 78 | 1684414 195, 297 | 1702862.... 367, 376, 389 | 1703938 383 |
| 1660250 101 | 1684465 13, 17, 283 | 1702868.... 261, 265, 269, 367, 371, 402 | 1703939 375, 383 |
| 1660257 127 | 1690697 390 | 1702938.... 227, 231, 249 | 1703941 382 |
| 1660258 127, 128 | 1691483 390 | 1702941..... 72, 81, 87 | 1703942 382 |
| 1660303 127 | 1693289 390 | 1702942..... 72, 81, 87 | 1703943 382 |
| 1660304 127, 128 | 1693291 390 | 1702943..... 72, 80, 87 | 1703944 382 |
| 1670769 202 | 1693292 390 | 1702944..... 72, 81, 87 | 1703945 382 |
| 1670771 147, 150 | 1693294 390 | 1702966..... 367 | 1703947 383 |
| 1670779 147, 150 | 1700584 ... 367, 373, 376, 386, 389, 394 | 1702971..... 375 | 1703948 375, 382 |
| 1670818 139 | 1700818 ... 368, 372, 377, 385 | 1702972..... 376 | 1703949 375, 382 |
| 1670824 139 | 1701499 ... 367, 371, 376, 381, 389, 393 | 1702973..... 376 | 1703950 382 |
| 1670829 ... 131, 136, 225, 229 | 1701500 ... 147, 152, 158, 367, 376, 389 | 1702974..... 377 | 1703951 375, 382 |
| 1670836 208 | 1701502 ... 367, 371, 375, 381, 389, 393 | 1702975..... 376 | 1703953 371 |
| 1671037 225, 229 | 1701503 ... 367, 371, 375, 381, 389, 393 | 1703084..... 226 | 1703980 383 |
| 1671055 196, 201 | 1701504 ... 367, 375, 389 | 1703085..... 226 | 1703981 377, 383 |
| 1671092 ... 181, 187, 190, 344, 360 | 1701505 . 72, 80, 86, 156, 368, 372, 377, 385, 390, 394 | 1703162.... 69, 78, 90, 99, 106, 112 | 1703982 377, 383 |
| 1671093 261, 268 | 1701509 ... 256, 367, 371, 375, 381, 389, 393 | 1703183..... 390 | 1703983 383 |
| 1671227 150, 151 | 1701518 375, 389, 393 | 1703184..... 390 | 1703984 383 |
| 1671228 150, 151 | 1701529 ... 367, 371, 376, 381, 390, 393 | 1703185..... 390 | 1703992 390 |
| 1671229 152 | 1701542 98, 104, 110, 368, 372, 377, 385, 394 | 1703186..... 390 | 1703996 376, 384 |
| 1671230 152 | 1701543 98, 104, 110, 368, 372, 377, 385 | 1703187..... 390 | 1704000 376, 382, 402 |
| 1671231 151 | 1701596 390 | 1703188..... 377 | 1704001 382, 402 |
| 1671232 151 | 1701600 390 | 1703190..... 390 | 1704006 376, 381 |
| 1671233 150 | | 1703403.... 368, 372, 385, 391, 394 | 1704007 382 |
| 1671247 150, 151 | | | 1704096 367, 371, 372 |
| 1671311 189 | | | 1704098 383 |
| 1671312 150, 151 | | | 1704099 376, 383 |
| 1683053 285, 293, 297 | | | 1704100 377 |
| | | | 1704101 383 |
| | | | 1704102 383 |
| | | | 1704103 377, 383 |

PART NUMBER INDEX

| | | | |
|--|----------------------|---|--|
| 1704104.....372 | 1705836.....277 | 1810075.....131 | 2220373.....311, 313, 321 |
| 1704106.....384 | 1705837.....277 | 1810076.....131 | 2220375.....313, 321 |
| 1704107.....377, 384 | 1705886.....277 | 1810077.....131 | 2220376.....121, 320 |
| 1704108.....377 | 1705895.....382 | 1870132.....327 | 2220377....118, 311, 313, 320 |
| 1704109.....384 | 1705896.....382 | 1870191.....327 | 2220380.....320 |
| 1704110.....384 | 1705897.....383 | 1870215.....327 | 2220407.....321 |
| 1704111.....377, 384 | 1705898.....382 | 2000194.....69, 72 | 2220408.....320 |
| 1704112.....377, 385 | 1705901.....381 | 2000272.....99, 100 | 2220409.....323 |
| 1704174.....401 | 1705902.....383 | 2000274.....91, 92 | 2220415....311, 313, 317, 320 |
| 1704175.....401 | 1705903.....382 | 2000279.....89 | 2220418.....125 |
| 1704260.....225, 229 | 1705905.....386 | 2000280.....88 | 2220428.....321 |
| 1704271....372, 377, 385 | 1705910.....386 | 2000281.....88 | 2220429.....321 |
| 1704272.....39, 378 | 1705917.....382 | 2000296.....99 | 2220451.....90, 311 |
| 1704273.....378 | 1705921.....393 | 2000297.....98 | 2220459.....71 |
| 1704276.....378 | 1705961.....393 | 2000298.....98 | 2220466.....321 |
| 1704277....367, 371, 376, 381, 389, 393 | 1705967.....382, 402 | 2000339.....91, 92 | 2220468.....317, 322 |
| 1704412....371, 381, 393 | 1705968.....382, 401 | 2000342.....89 | 2220472.....323 |
| 1704578.....39 | 1705969.....382, 402 | 2000354.....106 | 2220473....311, 313, 323 |
| 1704885....368, 372, 377, 385, 391, 394 | 1705978.....394 | 2000365.....89 | 2220474.....320 |
| 1704972.....72, 88 | 1706059.....72, 88 | 2000366.....88 | 2220479.....118, 323 |
| 1704997.....225 | 1706060.....72, 88 | 2000373.....105 | 2220490.....317 |
| 1705014.....223 | 1706061.....72, 88 | 2000374.....105 | 2220497.....322 |
| 1705084.....389, 393 | 1706062.....72, 88 | 2000375.....106 | 2220498.....321 |
| 1705090.....39 | 1706063.....72, 88 | 2000386.....69, 72 | 2220502.....322 |
| 1705132....132, 225, 229 | 1706064.....72, 88 | 2030010 ... 259, 261, 265, 268 | 2220504....311, 313, 317 |
| 1705170.....141 | 1706098.....72, 88 | 2060025 ... 69, 78, 90, 99, 106, 112 | 2220549.....71 |
| 1705232.....390 | 1706380.....383 | 2080040 ... 156, 217, 220 | 2220574.....320 |
| 1705250.....390 | 1706381.....384 | 2080044.....201 | 2220578.....118, 320 |
| 1705275.....390 | 1706385.....223 | 2080046.....363 | 2220582....311, 313, 320 |
| 1705305....259, 261, 265, 269 | 1706493.....223 | 2120149.....44, 396 | 2220593.....320 |
| 1705325....162, 166, 167 | 1706501.....223 | 2120164.....44 | 2220596.....313, 320 |
| 1705336.....371 | 1706510.....275 | 2120209.....43 | 2220603.....323 |
| 1705344.....382 | 1706712.....132, 136 | 2120210.....43, 396 | 2220606.....311, 313 |
| 1705345.....382 | 1706846.....25 | 2160003.....54 | 2220609.....322 |
| 1705347.....382 | 1706914.....132 | 2180125.....124 | 2220618.....320 |
| 1705348.....382 | 1706915.....132 | 2180344.....54 | 2220646.....118, 321 |
| 1705351.....373 | 1706931.....373, 386 | 2180348.....71, 80, 86 | 2220738.....322 |
| 1705355....259, 261, 269 | 1706941.....373, 386 | 2180380.....323 | 2220750.....277 |
| 1705358.....256 | 1706957.....39 | 2180387.....125 | 2220767.....70 |
| 1705363.....368 | 1706960.....39 | 2180388.....125 | 2220794.....71 |
| 1705364.....25 | 1707013.....372 | 2180389.....125 | 2220810.....121, 320 |
| 1705374....181, 187, 191 | 1707014.....372 | 2180418 ... 104, 110, 125 | 2220861.....313 |
| 1705375....181, 187, 191, 261, 269 | 1707042.....385 | 2180467.....99 | 2220873.....321, 323 |
| 1705376....180, 186, 190 | 1707043.....384 | 2180536.....71 | 2220883....33, 286, 291, 293, 295 |
| 1705387....181, 187, 191 | 1707044.....385 | 2180724.....323 | 2220885....48, 285, 291, 293, 298, 301, 307 |
| 1705426.....386 | 1707045.....384 | 2180832.....265, 268 | 2220886.....33 |
| 1705427.....386 | 1707046.....384 | 2180877.....107, 113 | 2220887.....295 |
| 1705429.....386 | 1707047.....385 | 2200222.....57 | 2220890.....283 |
| 1705430.....386 | 1707048.....384 | 2200233.....123 | 2220893.....44, 323 |
| 1705460....181, 187, 191 | 1707049.....385 | 2220005.....104, 110 | 2220921.....321 |
| 1705461.....181 | 1707051.....384 | 2220063.....54 | 2220947.....118, 321 |
| 1705466....259, 261, 265, 269 | 1707052.....385 | 2220064.....104, 110 | 2220948.....321 |
| 1705489.....181 | 1707053.....384 | 2220235.....295 | 2220950.....322 |
| 1705490.....265, 269 | 1707054.....385 | 2220237.....313 | 2220974.....322 |
| 1705514.....381 | 1707055.....384 | 2220250.....71 | 2220998.....311, 314 |
| 1705714.....167, 363 | 1707056.....384 | 2220252.....277 | 2221018.....125 |
| 1705715.....167, 363 | 1707057.....384 | 2220261.....124 | 2221019.....124 |
| 1705728.....167 | 1707058.....384 | 2220273.....71 | 2221024.....125 |
| 1705753.....132 | 1707059.....384 | 2220307.....311 | 2221042.....321 |
| 1705820.....39 | 1707060.....384 | 2220313 ... 71, 80, 86, 98, 104 | 2221170.....311 |
| 1705822.....393 | 1810068.....131 | 2220362.....311, 313 | 2221176....71, 80, 86, 98, 104, 110 |
| 1705828.....393 | 1810069.....131 | 2220371 ... 311, 313, 314, 317 | |
| | 1810070.....131 | 2220372.....321 | |
| | 1810071.....131 | | |
| | 1810072.....131 | | |
| | 1810073.....131 | | |
| | 1810074.....131 | | |

PART NUMBER INDEX

| | | | | | | | |
|---------------|--|---------------|---------------------------------------|--------------|--------------------------------------|---------------|---|
| 2221197 | 124 | 2720567 | 104, 110 | 2792325..... | 324 | 2902312 | 402 |
| 2221270 | 124 | 2720580 | 104, 110 | 2792326..... | 324 | 2902322 | 402 |
| 2300004 | 80, 99, 105, 110 | 2750532 ... | 71, 80, 86, 90, 100, 105, 107, 112 | 2792327..... | 324 | 2902329 | 402 |
| 2300014 | 404 | 2751032 | 54 | 2792605..... | 324 | 2902394 | 403 |
| 2300016 | 404 | 2751396 | 322 | 2792607..... | 313, 324 | 2902443 | 334, 351 |
| 2300019 | 404 | 2751410 | 317 | 2792608..... | 320, 324 | 2902531 ... | 105, 106, 111, 336, 352 |
| 2300027 | 404 | 2751434 | 317 | 2792612..... | 317, 324 | 2902549 | 341, 357 |
| 2300029 | 404 | 2751474 | 321 | 2792613..... | 320, 324 | 2910045 | 402 |
| 2300039 | 404 | 2751868 | 322 | 2792614..... | 320, 324 | 2910073 | 404 |
| 2300041 | 70, 80 | 2752331 | 314 | 2792615..... | 324 | 2915014 | 131 |
| 2400060 ... | 181, 187, 191, 344, 352, 360 | 2752340 | 321 | 2792616..... | 311, 324 | 2920028 | 227, 231 |
| 2400064 ... | 181, 187, 191, 344, 360, 398 | 2752341 | 311 | 2792617..... | 324 | 2920029 | 227, 231 |
| 2400065 ... | 334, 336, 350, 396 | 2752437 | 322 | 2792630..... | 324 | 2920110 | 140 |
| 2400066 ... | 334, 345, 350, 360 | 2752462 | 317 | 2792659..... | 324 | 2920113 | 140 |
| 2400070 | 345, 360, 398 | 2752475 | 311, 313 | 2792660..... | 324 | 2920129 ... | 230, 330, 333, 348, 350 |
| 2400093 | 342, 358 | 2752478 | 311, 313 | 2792749..... | 324 | 2920140 | 220, 345, 360 |
| 2410014 | 223 | 2752502 | 321 | 2820031 ... | 162, 167, 170, 174, 179, 186, 189 | 2920157 | 141, 221 |
| 2420172 | 132, 136 | 2752504 | 320 | 2820035 ... | 140, 221, 338, 354 | 2920161 | 140, 354 |
| 2420187 | 101 | 2752515 | 321 | 2820078 | 147, 152, 158 | 2920162 | 167 |
| 2420203 ... | 162, 166, 167, 170, 173 | 2752574 | 313 | 2820079..... | 147 | 2920215 | 140 |
| 2460048 | 178, 185, 189 | 2752588 | 322 | 2820080..... | 151 | 2940045 | 156 |
| 2460049 | 161, 165 | 2752591 | 323 | 2820119..... | 147 | 2940074 | 217, 396 |
| 2460050 | 178 | 2752592 | 311, 313 | 2820153..... | 152 | 2940088 | 146, 151, 152 |
| 2460051 | 169, 173 | 2752596 | 322 | 2820172..... | 100 | 2940173 | 156 |
| 2460052 | 169, 173 | 2752597 | 322 | 2820173..... | 100 | 2940188 | 151 |
| 2460055 | 161, 165 | 2752598 | 322 | 2820176..... | 152 | 3010125 | 39 |
| 2460056 | 161, 165 | 2752599 | 322 | 2820180..... | 107 | 3020008 | 23 |
| 2460057 | 161, 165 | 2752611 | 311, 314 | 2820180..... | 107 | 3020016 | 80, 89, 90, 99 |
| 2560136 | 225, 230 | 2752631 | 321 | 2820233..... | 151 | 3020021 | 92 |
| 2560173 | 221 | 2752632 ... | 311, 313, 321 | 2820234..... | 151 | 3020039 | 208 |
| 2560187 | 157 | 2752633 | 322, 323 | 2820235..... | 151 | 3020044 | 70, 80, 90 |
| 2580024 | 70, 81, 87 | 2752643 | 323 | 2840016..... | 143 | 3160273 | 53, 59 |
| 2580050 | 72, 80, 87 | 2752653 | 320 | 2860012..... | 166 | 3160299 | 23, 31 |
| 2580055 .. | 70, 73, 81, 403 | 2752654 | 320 | 2860030.... | 132, 136, 396 | 3160300 | 23, 31 |
| 2580062 | 92 | 2752752 | 320 | 2900770..... | 43 | 3160349 | 23, 33 |
| 2600209 | 146, 152 | 2752753 | 323 | 2900792.... | 285, 289, 291, 293, 295 | 3160350 | 23, 33 |
| 2600233 | 146, 151 | 2752762 | 321 | 2900937..... | 402 | 3200362 | 90, 100, 107, 112 |
| 2600280 | 156 | 2752763 | 321 | 2900967..... | 402 | 3200406 | 69, 78, 90 |
| 2600281 | 217 | 2752783 | 323 | 2900974..... | 402 | 3220103 | 90 |
| 2680448 | 146 | 2752910 | 311, 313 | 2901284..... | 307 | 3220104 | 90 |
| 2680449 | 146 | 2752928 | 311, 314 | 2901285..... | 295 | 3220113 | 69, 78 |
| 2680450 | 146 | 2752929 | 311, 314 | 2901301..... | 286, 298 | 3220134 | 101 |
| 2720058 ... | 69, 71, 78, 80, 86, 98, 104, 106, 112 | 2752977 | 313 | 2901303.... | 286, 289, 293, 298 | 3220154 | 69 |
| 2720144 | 124 | 2752981 | 322 | 2901443..... | 345, 361 | 3250585 | 221 |
| 2720160 | 265, 268 | 2753048 | 322, 323 | 2901691..... | 403 | 3250872 | 39, 368, 372, 385, 391, 394 |
| 2720271 | 71, 107, 113 | 2753084 | 405 | 2901763..... | 48 | 3251102 ... | 162, 167, 170, 221 |
| 2720392 | 104, 110 | 2753325 | 323 | 2901986..... | 209 | 3251242 | 389 |
| 2720398 | 90 | 2753397 | 311, 313 | 2902065..... | 92 | 3251243 ... | 166, 170, 174, 367, 371, 375, 381, 393 |
| 2720434 | 69, 78, 90 | 2753435 | 311 | 2902085..... | 167 | 3251813 ... | 367, 371, 375, 383, 393 |
| 2720435 | 100 | 2753924 | 311, 313 | 2902203..... | 405 | 3252220 | 377 |
| 2720436 | 100 | 2753925 | 311, 313 | 2902212..... | 255 | 3252347 | 371, 377, 390 |
| 2720449 | 90 | 2753926 | 313 | 2902217.... | 259, 261, 268 | 3252489 | 377 |
| 2720472 | 98 | 2753928 | 314 | 2902266..... | 283 | 3252507 ... | 162, 167, 367, 371, 375, 381, 393 |
| 2720509 | 69, 78 | 2753929 | 311, 314 | 2902296.... | 70, 86, 336, 352 | 3252540 | 377 |
| 2720510 | 69 | 2753930 | 314 | 2902297..... | 98, 336 | 3252764 ... | 170, 177, 186, 189 |
| 2720514 | 100, 106 | 2753931 | 314 | 2902303..... | 402 | 3271805 | 127, 223 |
| 2720515 | 70, 78 | 2753933 | 317 | 2902304..... | 402 | 3272605 | 196, 202 |
| 2720532 | 98 | 2753957 | 322 | 2902305..... | 403 | | |
| 2720563 | 106, 112 | 2753967 | 311 | 2902306..... | 403 | | |
| 2720564 | 106, 112 | 2753968 | 321 | 2902307..... | 402 | | |
| 2720566 | 104, 110 | 2753969 | 311 | 2902308..... | 402 | | |
| | | 2760105 ... | 132, 136, 225, 230 | 2902309..... | 402 | | |
| | | 2780205 | 53, 57 | 2902310..... | 402 | | |
| | | 2780269 | 23, 27 | 2902311..... | 402 | | |
| | | 2780271 | 14 | | | | |

PART NUMBER INDEX

| | | | |
|--|---|---|--|
| 3290405.....105, 110, 341, 357, 363 | 3311805. 69, 79, 90, 100, 105, 106, 107, 111, 112, 143, 146, 150, 156, 196, 202, 253 | 3422900 14, 18, 21 | 3573641.....265, 268 |
| 3290505.....105, 110, 163, 166 | 3312005 255 | 3422902 14, 18, 21 | 3573642.....259, 261, 268 |
| 3290507.....81 | 3312201 207, 208 | 3422903 14, 18, 21 | 3573643.....265 |
| 3290601.....157 | 3312205 255 | 3423184 195, 201 | 3574091.....249 |
| 3290605.....268 | 3312602 140 | 3430816 143 | 3574162.....100 |
| 3290606.....219 | 3321501 147, 151 | 3450404 143 | 3574206.....69, 79 |
| 3290801.....69, 78 | 3322201 127 | 3450806 214 | 3574207.....69, 79 |
| 3300106.....14, 23 | 3323403 14 | 3451010 14 | 3574208.....69, 79 |
| 3300151....219, 259, 261, 265, 268, 404 | 33251102 174 | 3460334 256 | 3574225.....170, 186 |
| 3300205.....132, 136 | 3340755 207 | 3460398 100 | 3574229.....186 |
| 3300240.....208 | 3340757 207 | 3460399 152 | 3574262.....186 |
| 3300241.....207, 208 | 3340758 207 | 3460544 72, 80 | 3574443.....363 |
| 3300242.....208 | 3340764 213 | 3460552 152 | 3574504.....100 |
| 3300353.....225, 230 | 3340844 207 | 3470003 226, 230 | 3574684.....162 |
| 3300364.....156 | 3340871 207, 209 | 3480188 285, 297 | 3575359.....249 |
| 3300396.....180, 186, 190 | 3340877 157 | 3480205 307 | 3576755.....124 |
| 3300399.....208 | 3340881 207 | 3480206 295 | 3576799.....268 |
| 3300400.....208 | 3340900 208 | 3480210 285, 293, 297 | 3577121.....259, 261 |
| 3300408.....132, 136 | 3340911 35 | 3480288 283 | 3580134.....162, 166 |
| 3300430.....253 | 3340956 256 | 3510822 217 | 3580158.....165 |
| 3300454.....196 | 3340966 39 | 3510830 217 | 3580241.....206 |
| 3310601....143, 180, 187, 190 | 3380429 ... 71, 80, 87, 98, 105, 110 | 3510831 217 | 3580243.....206 |
| 3310801.....363 | 3380434 ... 220, 367, 376, 390 | 3510833 217 | 3580248.....207 |
| 3310805.....125, 139 | 3380476 220 | 3510868 223 | 3580249.....207 |
| 3311001....147, 150, 151, 152, 167, 227, 231, 363 | 3380535 139 | 3510877 223 | 3580276.....162, 166 |
| 3311005....139, 141, 162, 166, 170, 174, 180, 226, 230, 259, 261, 268 | 3380652 403 | 3520028 ... 162, 166, 169, 173 | 3580312....170, 174, 186, 190 |
| 3311401....132, 208, 249 | 3420156 226 | 3520030 156 | 3580313.....170, 186 |
| 3311402.....196, 201 | 3420372 39 | 3520033 146 | 3580314.....186, 190 |
| 3311405....44, 69, 71, 78, 80, 87, 90, 98, 99, 100, 105, 107, 110, 111, 112, 124, 147, 150, 156, 170, 174, 179, 186, 190, 196, 201, 214, 220, 253, 265, 268, 279, 341, 357, 367, 372, 376, 386, 390, 394, 404 | 3420447 39 | 3520034 202 | 3580317.....180 |
| 3311501.....44, 147, 150, 156, 249 | 3421453 268 | 3520035 132 | 3580318.....180 |
| 3311505....35, 69, 72, 78, 80, 87, 90, 98, 100, 105, 110, 124, 147, 150, 157, 174, 177, 186, 190, 214, 253, 275, 363, 405 | 3421565 40, 54 | 3520054 90, 225, 230 | 3580319.....180 |
| 3311508.....177 | 3421627 54 | 3520071 256 | 3580320.....180 |
| 3311601....123, 147, 150, 156, 186, 190, 226, 230 | 3422326 14, 18, 21 | 3520072 217, 223 | 3580321.....180 |
| 3311605....69, 79, 81, 87, 90, 98, 100, 105, 107, 110, 112, 143, 146, 150, 151, 156, 162, 166, 201, 208, 214, 220, 223, 259, 261, 265, 268, 279 | 3422417 207 | 3520189 181, 344, 360 | 3580322.....161 |
| 3311705.....162, 166 | 3422424 207 | 3520198 218, 219 | 3580324.....170, 173 |
| 3311801....69, 79, 87, 98, 179 | 3422446 ... 70, 80, 87, 98, 105, 110 | 3534978 91 | 3580325.....170, 173 |
| | 3422532 ... 70, 80, 87, 99, 105, 111 | 3536089 220 | 3580348.....174, 190 |
| | 3422557 195, 201 | 3537318 53 | 3600242.....70, 121 |
| | 3422561 201 | 3537416 90 | 3600365.....43, 44 |
| | 3422562 195 | 3537445 143 | 3600377.....100 |
| | 3422563 195 | 3537446 143 | 3600381.....70, 116, 118 |
| | 3422564 195, 200 | 3538758 213 | 3600386.....277, 279 |
| | 3422565 195 | 3539219 132, 136 | 3600388.....70, 116, 118 |
| | 3422566 195, 201 | 3539563 196, 201 | 3600394....110, 88, 99, 105, 111, 117 |
| | 3422567 ...14, 18, 39, 195 | 3539590 147, 152, 158 | 3600395....70, 80, 88, 99, 105, 111, 121 |
| | 3422568 195, 201 | 3539622 208 | 3600396..70, 88, 99, 105, 117 |
| | 3422569 195 | 3539872 69, 90, 100, 107, 112 | 3620033.....90 |
| | 3422574 201 | 3539877 13, 17 | 3620040....100, 107, 112 |
| | 3422580 196 | 3539934 146 | 3620047.....69, 79 |
| | 3422583 201 | 3539955 147, 152, 158 | 3641533....180, 182, 187, 190, 192 |
| | 3422592 13, 17 | 3539957 ... 71, 80, 87, 98, 105, 110 | 3641569.....249 |
| | 3422661 275 | 3571712 150 | 3720021.....277 |
| | 3422790 201 | 3572009 40 | 3730120.....336 |
| | 3422813 39 | 3572010 40 | 3730121.....336 |
| | 3422841 40 | 3572011 40 | 3740049....132, 136, 338, 354, 396 |
| | 3422847 40 | 3572012 40 | 3740067....69, 79, 90, 91, 100, 107, 112, 396 |
| | 3422848 39 | 3572280 100, 107, 112 | 3740080....162, 166, 170, 174, 179, 186, 190, 398 |
| | 3422860 201 | 3572414 98 | 3760170.....40, 54 |
| | 3422861 201 | 3572423 124 | 3760368.....285, 293, 298 |
| | 3422867 201 | 3573400 ... 259, 261, 265, 268 | |

PART NUMBER INDEX

| | | | |
|---|---|---|---|
| 3760369 285, 298, 307 | 3960407 91 | 4100033..... 196, 201 | 4400400 123 |
| 3760372 295 | 3960422 ... 177, 186, 190, 343, 359 | 4100100..... 293 | 4400420 124 |
| 3790012 ... 105, 110, 111, 141, 202, 220, 225, 226, 227, 230, 231 | 3960438 146, 151 | 4120035.... 330, 334, 348, 352 | 4400449 123, 124 |
| 3790045 23 | 3960453 146 | 4130394..... 18, 21 | 4420014 255 |
| 3790152 ... 71, 80, 88, 99, 105 | 3960461 141 | 4130395..... 18, 21 | 4420037 ... 221, 259, 261, 265, 268 |
| 3820001 ... 141, 367, 372, 376, 386, 390, 394 | 3960462 ... 146, 151, 152, 156 | 4130396..... 14 | 4420038 124 |
| 3820020 217 | 3960464 146, 151, 152 | 4130397..... 14 | 4420051 39, 390, 394 |
| 3841013 214 | 3960468 .69, 79, 91, 100, 107, 112 | 4130399..... 18 | 4420054 139 |
| 3841143 ... 14, 18, 21, 39, 70, 80, 87, 98, 105, 110, 196, 201, 207 | 3960469 .69, 79, 91, 100, 107, 112 | 4130400..... 14 | 4420060 139, 167 |
| 3841258 ... 13, 14, 17, 18, 21, 195, 201 | 3960470 146, 150 | 4160139..... 146, 151 | 4420062 275 |
| 3841340 196, 201 | 3960526 23 | 4160143..... 147, 151 | 4420066 256 |
| 3841510 14, 18, 21 | 3960591 100 | 4160149..... 208 | 4420068 249, 253 |
| 3850019 297 | 3980007 70, 81, 87 | 4160194..... 156 | 4460007 226, 230 |
| 3850020 297 | 3990001 333 | 4220162..... 140, 141 | 4460027 ... 162, 166, 169, 339, 355 |
| 3860050 214 | 3990010 ... 334, 352, 396 | 4220191..... 69, 79 | 4460049 249 |
| 3890005 206, 208 | 4010608 268 | 4240018.... 162, 170, 174, 179, 323 | 4460051 ... 179, 186, 190, 343, 359 |
| 3890006 206 | 4010618 219 | 4240032..... 140, 141 | 4460071 ... 179, 186, 190, 220, 330, 341, 343, 348, 357, 359 |
| 3890007 206, 208 | 4031608 162, 166 | 4240033..... 196, 201 | 4460125 340, 356 |
| 3890008 207 | 4031911 69, 79 | 4240099.... 221, 249, 259, 261, 265, 268 | 4460134 339, 355 |
| 3890009 208 | 4032015 179 | 4240113..... 123 | 4460190 162, 166, 169 |
| 3890010 206 | 4060092 340, 356 | 4240149..... 255 | 4460205 ... 339, 341, 355, 357 |
| 3890011 206 | 4060700 ... 177, 186, 190, 340, 343, 356 | 4280295..... 123 | 4460224 338, 354 |
| 3890012 208 | 4060802 ... 162, 167, 170, 174, 177, 186, 190, 221 | 4300111..... 186, 190 | 4460225 ... 330, 343, 348, 359 |
| 3890040 223 | 4060803 214 | 4300157..... 179 | 4460226 ... 238, 247, 330, 333, 336, 338, 343, 344, 345, 348, 350, 351, 354, 355, 359, 360, 361 |
| 3900054 223 | 4060805 .71, 79, 91, 100, 107, 112, 208 | 4340738..... 170, 186 | 4460227 ... 330, 334, 344, 348, 352, 354, 360 |
| 3900085 140 | 4060807 35 | 4340747..... 277 | 4460233 339, 341, 357 |
| 3900210 156, 157, 158 | 4060808 214 | 4341239..... 107, 112 | 4460234 ... 140, 141, 225, 230, 249 |
| 3900232 147, 150, 151 | 4060809 140 | 4341241..... 107, 112 | 4460259 338, 354 |
| 3900268 132, 136 | 4060906 132, 136 | 4341301..... 268 | 4460260 338, 354 |
| 3900272 79, 86 | 4060907 140 | 4360031..... 220 | 4460265 238, 247 |
| 3900316 156 | 4060918 44 | 4360057..... 249, 398 | 4460267 ... 336, 338, 351, 354 |
| 3900322 170 | 4060959 403 | 4360070.... 180, 187, 190, 398 | 4460268 ... 140, 335, 336, 338, 351, 354 |
| 3900363 157, 158 | 4061010 152 | 4360232.... 227, 231, 345, 360, 398 | 4460297 338, 354 |
| 3910606 177, 186, 190 | 4061043 ... 177, 186, 190, 343 | 4360294..... 167 | 4460315 178 |
| 3910608 143 | 4061049 179 | 4360328.... 132, 136, 201, 225, 227, 230, 231, 396 | 4460320 ... 336, 338, 344, 351, 354, 360 |
| 3910610 180, 187, 190 | 4061058 36 | 4360330..... 230, 396 | 4460321 ... 338, 345, 355, 361 |
| 3910804 132, 136 | 4070410 147, 151 | 4360331.... 220, 227, 231, 396, 398 | 4460326 ... 336, 338, 351, 354 |
| 3910808 125, 363 | 4070411 147, 151 | 4360336.... 105, 111, 141, 162, 167, 170, 174, 177, 186, 190, 221, 226, 231, 398 | 4460339 335 |
| 3911010 363 | 4070412 147, 151 | 4360387.... 225, 227, 230, 231, 249, 396 | 4460346 ... 177, 186, 190, 340, 343, 356, 359 |
| 3911016 363 | 4070585 167 | 4360407.... 225, 230, 396 | 4460374 ... 181, 187, 191, 344, 355, 360 |
| 3911040 140 | 4070863 207 | 4360436..... 123, 396 | 4460375 ... 181, 187, 191, 344, 360 |
| 3930816 139 | 4070864 207 | 4360469.... 132, 136, 398 | 4460411 181, 187, 191 |
| 3930828 139 | 4070895 207 | 4360470.... 132, 136, 398 | 4460412 181, 187, 191 |
| 3931028 139 | 4070896 207 | 4360475.... 132, 136, 225, 230, 396 | 4460413 181, 187, 191 |
| 3931408 139 | 4070897 207 | 4360476.... 132, 136, 225, 230, 396 | 4460414 181, 187, 191 |
| 3931448 307 | 4070898 207 | 4360506..... 208, 398 | 4460415 182, 187, 191 |
| 3931508 307 | 4070929 208 | 4360517.... 129, 354, 398 | |
| 3931516 285, 293, 297 | 4070939 208 | 4360522.... 141, 226, 231, 398 | |
| 3931620 ... 71, 80, 88, 99, 106, 111, 285, 297, 301, 307 | 4070940 208 | 4360540..... 167 | |
| 3931632 180 | 4070944 13, 17 | 4360541..... 167 | |
| 3931840 13, 17 | 4070945 13, 17 | 4360542..... 167 | |
| 3932032 295 | 4070976 208 | 4360578..... 139, 398 | |
| 3932224 53 | 4070987 132, 136 | 4400275..... 124 | |
| 3940604 39 | 4070994 214 | | |
| 3951608 207 | 4070995 214 | | |
| 3960343 14 | 4071004 208 | | |
| 3960389 ... 72, 80, 89, 99, 106, 111, 146, 150, 156 | 4071005 208 | | |
| | 4071007 208 | | |
| | 4071059 39 | | |
| | 4071122 105, 110 | | |
| | 4100026 333, 350 | | |

PART NUMBER INDEX

| | | | |
|---|--|-----------------------------------|---|
| 4460418....330, 334, 348, 352 | 4460743 ... 191, 344, 355, 360 | 4461008 351 | 4569171.....91 |
| 4460419....330, 334, 348, 352 | 4460761 ... 330, 334, 348, 352 | 4461052 335, 351 | 4569173.....100 |
| 4460424.... 140, 335, 336, 338, 344, 351, 354, 360 | 4460792 335 | 4461053 335, 351 | 4569177..... 69 |
| 4460425.... 180, 187, 190, 249, 344, 345, 360 | 4460799 335 | 4461054 335, 351 | 4569342.....107 |
| 4460426....132, 136, 181, 187, 190, 221, 227, 231, 333, 344, 345, 350, 360 | 4460800 335 | 4461060 335, 351 | 4569371..... 73, 83 |
| 4460428....225, 230, 277, 330, 348 | 4460865 ... 332, 333, 349, 350 | 4461070 335, 351 | 4569385..... 105, 111 |
| 4460434....330, 334, 348, 352 | 4460866 ... 330, 334, 348, 352 | 4461071 334, 351 | 4569394..... 107, 112 |
| 4460445....336, 338, 351, 354 | 4460871 ... 233, 235, 241, 245, 330, 334, 336, 338, 348, 351, 352, 353 | 4461072 334, 351 | 4640113.....25 |
| 4460457335, 351 | 4460873 ... 330, 334, 348, 352 | 4461074 334, 352 | 4640261.....39 |
| 4460458.... 191, 335, 336, 337, 351, 355 | 4460874 ... 132, 330, 333, 348, 352 | 4461095 335, 351 | 4640476.....283 |
| 4460460.....335, 351 | 4460875 ... 132, 330, 333, 348, 352 | 4461109 336, 352 | 4640509....285, 289, 291, 293, 295 |
| 4460464....330, 334, 337, 348, 351, 352, 353, 354 | 4460876 334, 352 | 4461111 336, 352 | 4640744..... 121, 320 |
| 4460465.... 181, 187, 191, 332, 335, 344, 349, 351, 353, 354, 360 | 4460878 334, 352 | 4461113 336, 352 | 4640858.....283 |
| 4460466....332, 333, 349, 350, 351, 353 | 4460879 330, 348 | 4461121 335, 351 | 4640908.....43 |
| 4460467.... 345, 361, 405 | 4460880 335, 336, 351 | 4461122 335, 351 | 4640921..... 43, 51 |
| 4460470....132, 136, 225, 230, 330, 333, 348, 350 | 4460887 ... 330, 334, 348, 352 | 4461123 335, 351 | 4640922.....43, 51 |
| 4460471.... 132, 136, 225, 230, 330, 333, 348, 350 | 4460891 ... 335, 351, 353, 354 | 4461124 335, 351 | 4640932....286, 289, 291 |
| 4460473....332, 333, 349, 350 | 4460892 334, 350 | 4461157 335, 351 | 4640952..... 107, 112 |
| 4460488.....132, 136 | 4460894 ... 334, 350, 353 | 4461161 335, 351 | 4640989.....100 |
| 4460496.....137, 350 | 4460897 ... 337, 353, 354 | 4461196 341, 357 | 4641022.....124 |
| 4460497.....137, 350 | 4460899 351 | 4461197 342, 358 | 4641028.....307 |
| 4460499.48, 51, 338, 354 | 4460905 ... 132, 225, 230, 330, 333, 334, 348, 352 | 4461198 340, 341, 356 | 4641096.....43, 47 |
| 4460508....330, 334, 348, 352 | 4460906.... 174, 338, 355 | 4461199 341, 357 | 4641108.....43, 44 |
| 4460509.....332, 349 | 4460943 334, 352 | 4461200 342, 358 | 4641284.....313 |
| 4460510.... 345, 361, 405 | 4460944 335, 351 | 4461201 340, 341, 356 | 4641307.....311 |
| 4460526.... 132, 136, 333, 350 | 4460956 ... 182, 187, 191, 342, 358 | 4461202 341, 357 | 4641319.....283 |
| 4460536.....334, 352 | 4460957 ... 182, 187, 191, 342, 358 | 4461203 342, 358 | 4641390.....283 |
| 4460539.... 334, 335, 351 | 4460958 ... 177, 186, 190, 343, 359 | 4461204 340, 356 | 4641409.....35 |
| 4460579.....335 | 4460961 339, 355 | 4461205 341, 357 | 4641410.....35 |
| 4460580.....335 | 4460962 261, 268 | 4461206 342, 358 | 4641451.....43, 47 |
| 4460582.....335 | 4460963... 181, 187, 190, 344, 360 | 4461207 ... 340, 341, 356, 357 | 4711400..44, 87, 91, 100, 105, 107, 111, 112, 140, 170, 174, 179, 186, 190, 214, 219, 220, 253, 341, 357, 404 |
| 4460607.... 182, 187, 191 | 4460967 ... 181, 187, 191, 344, 360 | 4461222 336, 352 | 4711500....35, 44, 70, 79, 124, 157, 158, 177, 186, 190, 214, 226, 230, 363, 405 |
| 4460608.....335, 351 | 4460968 ... 139, 163, 166, 167, 341, 357, 363 | 4461244 340, 356 | 4711600....44, 71, 79, 91, 100, 105, 107, 111, 112, 180, 190, 207, 214 |
| 4460633....277, 342, 358 | 4460971 265, 268 | 4461245 340, 356 | 4711700....92, 170, 174, 186 |
| 4460634.....334, 352 | 4460978 336, 337 | 4461246 340, 356 | 4711800....143, 179, 186, 190, 214, 223 |
| 4460635.....334, 352 | 4460979 ... 335, 336, 337, 351 | 4461249 341, 357 | 4711900.....91 |
| 4460693.....335, 351 | 4460987 363 | 4461250 342, 358 | 4712000.....255 |
| 4460701.....339 | 4460988 363 | 4520256 24 | 4712200.....255 |
| 4460705.....339, 355 | 4460990 363 | 4520258 24 | 4740036.....40 |
| 4460708....225, 230, 330, 333, 348, 350 | 4460991 167 | 4520339 24 | 4740076.....147, 151 |
| 4460713.....335 | 4460995 335 | 4520340 24 | 4740111.... 14, 18, 21, 39 |
| 4460725.....335 | 4460996 335 | 4520355 25 | 4740155.....39 |
| 4460726.....335 | 4460997 363 | 4520356 24 | 4740158.13, 17, 196, 202 |
| 4460728.....335 | 4460998 363 | 4520357 24 | 4740171.... 146, 151, 156 |
| 4460742.... 191, 335, 337, 344, 355, 360 | 4460999 167 | 4520672 25 | 4740256..... 14, 18, 21 |
| | 4461001 182, 187, 191 | 4520674 24 | 4740263..... 14 |
| | 4461005 335, 351 | 4530024 265, 271 | 4740274..70, 79, 91, 100, 107, 112 |
| | 4461006 335, 351 | 4530025 265, 271 | 4740283..... 14 |
| | | 4530028 ... 259, 261, 263, 268 | 4740314..... 196, 202 |
| | | 4564281 101 | 4740362..... 141, 220 |
| | | 4566468 285, 297 | 4740393.....23 |
| | | 4566501 295 | 4740397....162, 167, 170, 174, 221 |
| | | 4566605 100 | 4740439.....201 |
| | | 4566644 307 | |
| | | 4567073 69, 79 | |
| | | 4567879 100 | |
| | | 4568116 124 | |
| | | 4568119 124 | |
| | | 4568133 40 | |
| | | 4568721 69, 79 | |
| | | 4568734 170, 186 | |
| | | 4568735 ... 170, 174, 186, 190 | |
| | | 4569083 100 | |

PART NUMBER INDEX

| | | | | | | | | | | | |
|-------------------------|-------------------|------------------|-------------------------|-------------------|-----------------|----------------|----------------|----------------|----------|-------|----------------|
| 4740444 | | 132, 133, 136 | 4845356 | | 147, 151 | 4922889 | | 332, 349 | 70000345 | | 94 |
| 4740463 | | 18, 21 | 4845393 | | 123 | 4922905 | | 187, 344 | 70000579 | | 47 |
| 4740500 | | 152 | 4845395 | | 91 | 4922909 | | 363 | 70000580 | | 47 |
| 4740508 | | 111 | 4845404 | | 91, 100 | 4922912 | | 167 | 70000582 | | 47, 396 |
| 4740546 | | 141 | 4845411 | | 147, 152 | 4922925 | | 180, 186, 190, | 70000583 | | 47 |
| 4750600 | | 181, 187, 190 | 4845582 | | 275 | 343, 359 | 4922964 | | 70000619 | .. | 180, 185, 189 |
| 4750800 | | 125, 363 | 4845671 | | 213 | 221, 345, 360, | 361 | 70000781 | | 35 | |
| 4751000 | | 40, 140, 141, | 4845819 | | 213 | 4922968 | | 337 | 70000782 | | 27, 64 |
| 146, 151, 152, 162, | | | 4846295 | | 40 | 4922970 | | 339 | 70000793 | | 92 |
| 166, 170, 174, 180, | | | 4846296 | | 40 | 4923206 | | 133, 136, 333, | 70000794 | | 33 |
| 226, 230, 259, 261, | | | 4846319 | | 207 | 336, 350 | 4923212 | | 70000795 | | 33 |
| 269, 363 | | | 4846391 | | 213 | 133, 333, 334 | 4923226 | | 70000863 | .. | 178, 185, 189 |
| 4751400 | ... | 70, 71, 79, 80, | 4846392 | | 213 | 4923227 | | 133, 333, 334 | 70000912 | | 93 |
| 87, 91, 98, 99, 100, | | | 4846452 | | 218 | 4923229 | | 133, 333, 334 | 70000913 | | 93 |
| 105, 106, 107, 111, | | | 4846561 | | 221 | 4923379 | | 91, 338, 354 | 70000914 | | 93 |
| 112, 133, 136, 139, | | | 4846566 | | 91 | 4923420 | | 191, 344, 360 | 70000915 | | 93 |
| 147, 151, 156, 179, | | | 4846571 | | 265 | 4923445 | | 339, 355 | 70000916 | | 93 |
| 196, 201, 220, 226, | | | 4846573 | | 196, 202 | 4923462 | | 331, 349 | 70000917 | | 93 |
| 230, 249, 259, 261, | | | 4846627 | ... | 259, 261, 268 | 4923492 | | 133, 333, 335 | 70000918 | | 93 |
| 265, 268, 367, 372, | | | 4846673 | | 249 | 4923509 | | 331, 349 | 70000919 | | 93 |
| 376, 386, 390, 394 | | | 4846790 | | 70, 79 | 4923510 | | 332, 349 | 70000934 | | 43 |
| 4751500 | ... | 70, 72, 79, 80, | 4846805 | | 70, 79 | 4923511 | | 333, 350 | 70001017 | .. | 69, 70, 78, 90 |
| 87, 100, 105, 111, 146, | | | 4846806 | | 100 | 4923576 | | 133, 333, 334 | 70001051 | | 73, 82 |
| 147, 151, 152, 156, | | | 4846814 | | 13, 17 | 4923577 | | 133, 333, 334 | 70001100 | .. | 178, 185, 189 |
| 158, 162, 166, 174, | | | 4846934 | | 13, 17 | 4923591 | | 334 | 70001103 | | 123 |
| 249, 253, 275 | | | 4846935 | | 39 | 4923653 | | 331 | 70001119 | | 27 |
| 4751600 | ... | 35, 36, 70, 79, | 4860243 | | 24 | 4923655 | | 332 | 70001120 | | 73, 82 |
| 81, 87, 91, 98, 100, | | | 4891500 | | 170 | 4923656 | | 332 | 70001126 | | 94 |
| 105, 107, 112, 123, | | | 4891600 | ... | 71, 81, 89, 91, | 4923657 | | 331, 349 | 70001248 | | 128, 129 |
| 125, 127, 146, 151, | | | 99, 106, 111, 143, 170, | | | 4923659 | | 332, 350 | 70001249 | | 129 |
| 152, 156, 162, 166, | | | 174, 186, 190, 196, | | | 4923660 | | 332, 349 | 70001384 | .. | 178, 185, 189 |
| 170, 186, 190, 208, | | | 202, 208 | | | 4933217 | | 326, 327 | 70001423 | | 93 |
| 220, 259, 261, 265, | | | 4891800 | ... | 13, 17, 23, 44, | 4933218 | | 327 | 70001424 | | 273 |
| 268, 279 | | | 54, 143, 179, 196, 202, | | | 4933219 | | 327 | 70001425 | | 273 |
| 4751700 | | 92 | 208, 253 | | | 4933264 | | 181, 326, 344 | 70001427 | | 273 |
| 4751800 | ... | 70, 79, 87, 98, | 4892000 | 53, 54, 147, 152, | | 4933283 | | 187, 327, 344 | 70001428 | | 273 |
| 105, 106, 107, 111, | | | 158, 170 | | | 4933284 | | 326 | 70001429 | | 273 |
| 112, 124, 127, 170, | | | 4892600 | | 196, 202 | 4933287 | | 326 | 70001430 | | 273 |
| 186, 221, 223, 249, 277 | | | 4920385 | | 99, 107, 113 | 4933300 | | 326, 338 | 70001431 | | 273 |
| 4751900 | | 162 | 4921827 | | 339, 355 | 4933313 | | 327, 344, 360 | 70001432 | | 273 |
| 4752000 | ... | 71, 80, 87, 98, | 4921927 | | 44, 354 | 4933318 | | 327, 333 | 70001435 | | 93 |
| 105, 111 | | | 4921928 | | 44, 338, 354 | 4933327 | | 327, 333 | 70001498 | | 94 |
| 4760600 | | 181, 187, 190 | 4921954 | | 339 | 4933349 | | 191, 327, 344, | 70001663 | | 279 |
| 4760800 | | 363 | 4921956 | | 339 | 360 | 4933350 | | 70001690 | | 101 |
| 4761000 | | 14, 147, 151, | 4922466 | | 331 | 4933355 | | 327, 333 | 70001696 | .. | 178, 185, 189 |
| 227, 231, 363 | | | 4922467 | | 331, 349 | 4933365 | | 327, 333 | 70001697 | | 211 |
| 4761400 | | 133, 136, 179 | 4922468 | | 331, 349 | 4933366 | | 327, 333 | 70001742 | | 73, 82 |
| 4761500 | | 178, 186, 190 | 4922636 | | 333, 350 | 4933383 | | 327, 333 | 70001847 | | 94 |
| 4761600 | | 186, 190, 279 | 4922637 | | 333, 350 | 70000122 | | 161, 165 | 70001850 | | 93 |
| 4770600 | | 143 | 4922639 | | 226, 330 | 70000123 | .. | 161, 165, 169, | 70001866 | | 94 |
| 4791400 | 79, 91, 107, 113, | | 4922641 | ... | 181, 187, 191, | 173 | 70000124 | .. | 70001868 | | 94 |
| 179, 186 | | | 338, 344, 355, 360 | | | 70000125 | .. | 162, 166, 169, | 70001870 | | 94 |
| 4811400 | | 341, 357, 363 | 4922643 | | 338, 354 | 173 | 162, 166, 169, | 70001950 | 70001872 | ... | 94, 337, 353 |
| 4811600 | | 81, 163, 166 | 4922666 | ... | 226, 230, 330, | 70000126 | .. | 162, 166, 169, | 70001931 | | 337 |
| 4811700 | | 81, 219, 268 | 348 | | | 173 | 70000127 | .. | 70001941 | | 140 |
| 4811900 | .. | 70, 79, 81, 174, | 4922737 | | 70, 71 | 70000127 | .. | 161, 166, 169, | 70001950 | | 337 |
| 180, 190 | | | 4922757 | | 181, 344 | 173 | 162, 166, 169, | 70001951 | 70001953 | .. | 178, 185, 189 |
| 4812000 | | 81, 100 | 4922764 | | 344, 360 | 70000126 | .. | 162, 166, 169, | 70001966 | .. | 178, 185, 189 |
| 4812100 | .. | 70, 79, 81, 163 | 4922790 | | 332 | 173 | 70000126 | .. | 70001969 | | 178 |
| 4812200 | | 91 | 4922791 | | 332, 349 | 70000126 | .. | 162, 166, 169, | 70001973 | .. | 178, 186, 189 |
| 4831900 | | 92, 100, 107, | 4922792 | | 332, 349 | 173 | 70000127 | .. | 70001974 | .. | 178, 186, 189 |
| 113 | | | 4922884 | | 332, 349 | 70000127 | .. | 161, 166, 169, | 70001976 | | 47, 51 |
| 4832000 | | 70, 79, 100 | 4922885 | | 332 | 173 | 70000205 | | 70002005 | | 213, 398 |
| 4844815 | | 200 | 4922886 | | 332, 349 | 70000164 | | 111 | 70002006 | | 213 |
| 4844816 | | 200 | 4922887 | | 332 | 70000264 | | 94 | 70002007 | | 213, 398 |
| 4844817 | | 200 | 4922888 | ... | 221, 332, 345, | 70000342 | | 211 | 70002063 | | 35, 36 |
| 4844944 | | 195, 200 | 349, 360 | | | | | | | | |

PART NUMBER INDEX

| | | | |
|---------------------------|-----------------------------------|----------------------|----------------------------|
| 70002064.....36 | 70002763..... 74, 82 | 70004738 247 | 7002821..... 345, 361, 405 |
| 70002065.....64 | 70002764 73, 82 | 70004739 247 | 7002822..... 405 |
| 70002066.....64 | 70002765 73, 82 | 70004740 247 | 7002823..... 345, 361, 405 |
| 70002067.....64 | 70002766 73 | 70004741 247 | 7002826..... 405 |
| 70002068.....64 | 70002767 74 | 70004742 247 | 7002828..... 345, 361 |
| 70002069.....64 | 7000281 28, 64 | 70004743 247 | 7002840..... 405 |
| 70002070.....64 | 70002818 181, 191 | 70004744 247 | 7003928..... 233, 235 |
| 70002071.....64 | 70002819 181, 191 | 70004745 247 | 7003933..... 241 |
| 70002072.....64 | 70002820 181, 191 | 70004746 247 | 7003935..... 241 |
| 70002073.....64 | 70002821 181, 191 | 70004747 247 | 7003941..... 241, 245 |
| 70002074.....65 | 70002822 182, 191 | 70004748 247 | 7003946..... 241 |
| 70002075.....65 | 70002823 182, 191 | 70004749 247 | 7003953..... 233 |
| 70002088... 178, 185, 189 | 70002824 182, 191 | 70004750 247 | 7003969..... 241 |
| 7000209.....57 | 70002825 182, 191 | 70004751 247 | 7003972..... 241, 245 |
| 7000213.....65 | 70002826 182, 191 | 70004752 237 | 7003973..... 241, 245 |
| 7000214.....57 | 70002833 74, 82 | 70004753 237 | 7003976..... 233 |
| 7000216.....27 | 70002834 74, 82 | 70004754 237 | 7003977..... 233 |
| 700021757, 64 | 70002835 74, 82 | 70004755 237 | 7003980..... 241, 245 |
| 70002200.....93 | 70002841 73 | 70004756 237 | 7003982..... 245 |
| 70002208.....61 | 70002843 73, 82 | 70004757 237 | 7003983..... 241, 245 |
| 70002209.....44 | 70002844 73, 82 | 70004758 237 | 7003986..... 241 |
| 70002212..... 129 | 70002845 74, 82 | 70004759 237 | 7003989..... 242, 245 |
| 70002234.....94 | 70002846 74, 82 | 70004760 237 | 7003992..... 233, 241 |
| 70002243.....61 | 70002847 73, 82 | 70004761 237 | 7003993..... 233, 241 |
| 7000228.....57, 64 | 70002848 73, 82 | 70004762 237 | 7003994..... 241 |
| 7000229.....57, 64 | 70002849 73, 82 | 70004763 237 | 7004035..... 61, 65 |
| 70002297... 178, 185, 189 | 70002850 73, 82 | 70004764 237 | 7004043..... 61, 65 |
| 7000230.....57, 64 | 70002851 74, 83 | 70004765 237 | 7004044..... 61, 65 |
| 70002307..... 101 | 70002852 73, 83 | 70004766 237 | 7004248..... 44 |
| 7000246.....57, 64 | 70002895 112, 398 | 70004767 237 | 7004275..... 405 |
| 70002460... 178, 185, 189 | 70002902 220 | 70004768 237 | 7004276..... 405 |
| 7000248.....64 | 70002903 220 | 70004769 237 | 7004290..... 44 |
| 7000253.....57, 64 | 70002904 220 | 70004770 237 | 7005881..... 59 |
| 7000255.....57, 64 | 70002905 220 | 70004771 237 | 7005882..... 59 |
| 7000256.....57 | 70002906 235 | 70004772 237 | 7005889..... 59 |
| 70002567..... 101 | 70002948 277 | 70004773 237 | 7005890..... 59 |
| 7000257.....57, 64 | 70003001 94 | 70004774 238 | 7005891..... 59 |
| 7000258.....57 | 70003002 94 | 70004775 238 | 7005892..... 59 |
| 70002627.....337 | 70003003 94 | 70005230 247 | 7005893..... 59 |
| 7000263.....57, 64 | 70003408 36 | 7000625 220 | 7006138..... 213 |
| 7000269.....57 | 70003454 129 | 70006442 301 | 7006143..... 213 |
| 7000270.....57 | 70003476 93 | 70006443 301 | 7007207..... 116 |
| 70002705.....69, 78 | 70003478 93 | 70006444 301 | 7007208..... 116 |
| 70002706.....69, 78 | 70003483 220 | 70006445 301 | 7007412..... 118 |
| 70002715..... 123 | 70003623 94 | 70006446 301 | 7007413..... 116 |
| 70002716..... 123 | 70003631 .. 178, 185, 189 | 70006447 301 | 7007414..... 116 |
| 70002724..... 245 | 70003708 178 | 7000663 93 | 7007417..... 116 |
| 70002725..... 245 | 70003709 178 | 7000897 100 | 7007418..... 116 |
| 70002726..... 245 | 70003784 225, 230 | 7001433 117 | 7007419..... 116 |
| 70002727..... 245 | 70003995 45 | 7001498 117 | 7007423..... 116 |
| 70002728..... 245 | 70003996 45 | 7001625 303 | 7007425..... 116 |
| 70002729..... 245 | 70003997 45 | 7001626 303 | 7007435..... 31, 116 |
| 70002730..... 235 | 70003998 45 | 7001627 303 | 7007437..... 31, 33, 116 |
| 70002731..... 235 | 70003999 45 | 7001629 303 | 7007438..... 31, 33, 116 |
| 70002732..... 235 | 70004000 45 | 7001630 303 | 7007439..... 31, 33, 116 |
| 70002733..... 235 | 70004149 123 | 7001633 303 | 7007441..... 116 |
| 70002734..... 235 | 70004169 .. 178, 185, 186, 189 | 7001909 57, 64 | 7007442..... 116 |
| 70002735..... 235 | 70004170 178 | 7001911 57, 64 | 7007444..... 116 |
| 70002745..... 305 | 70004171 .. 178, 185, 189 | 7001912 64 | 7007446..... 31, 33, 116 |
| 70002752..... 305 | 70004182 69, 79 | 7001913 27 | 7007452..... 116 |
| 70002753..... 305 | 70004184 123 | 7001928 57 | 7007453..... 116 |
| 70002754..... 305 | 70004184 123 | 7001931 57, 64 | 7007454..... 117 |
| 70002755..... 305 | 70004316 353 | 7001985 57, 64 | 7007457..... 117 |
| 70002756..... 305 | 70004317 353 | 7001987 57 | 7007459..... 117 |
| 70002757..... 305 | 70004318 353 | 7001988 57 | 7007463..... 117 |
| 70002761..... 74, 82 | 70004319 353 | 70020808 353 | 7007464..... 117 |
| 70002762..... 74, 82 | 70004643 213 | 70020809 353 | 7007465..... 117 |

PART NUMBER INDEX

| | | | | | | | |
|---------------|----------------------------------|---------------|---------------------------------|--------------|-----------------------|--------------|-----------------------|
| 7007466 | 117 | 7012987 | 121 | 7019110..... | 241 | 7020464..... | 94 |
| 7007470 | 116 | 7012988 | 121 | 7019111..... | 233, 241 | 7020465..... | 93 |
| 7007472 | 117 | 7012989 | 47 | 7019112..... | 241 | 7020468..... | 93 |
| 7007474 | 117 | 7012995 | 44 | 7019114..... | 241 | 7020471..... | 93 |
| 7007475 | 117 | 7012998 | 47, 48, 51 | 7019115..... | 241 | 7020479..... | 94 |
| 7007476 | 117 | 7013189 | 128 | 7019122..... | 233 | 7020484..... | 93 |
| 7007477 | 117 | 7016314 | 123 | 7019123..... | 233 | 7020487..... | 93 |
| 7007478 | 117 | 7016319 | 140 | 7019141..... | 233 | 7021200..... | 116 |
| 7007484 | 117 | 7016322 | 143 | 7019142..... | 233 | 7021201..... | 117 |
| 7007485 | 117 | 7016328 | 93, 398 | 7019143..... | 233 | 7021202..... | 116 |
| 7007487 | 117 | 7016331 | 93, 398 | 7019144..... | 233 | 7021203..... | 116 |
| 7007488 | 117 | 7016372 | 140 | 7019145..... | 233 | 7021206..... | 117 |
| 7007489 | 121 | 7016374 | 143 | 7019147..... | 233 | 7021207..... | 117 |
| 7007494 | 117 | 7016380 | 140 | 7019149..... | 233 | 7021210..... | 117 |
| 7007496 | 117 | 7016399 | 220 | 7019150..... | 233 | 7021212..... | 117 |
| 7007497 | 117, 337, 353 | 7016422 | 59 | 7019151..... | 241 | 7021214..... | 117 |
| 7007498 | 117, 338, 353 | 7016423 | 59 | 7019154..... | 241 | 7021217..... | 117 |
| 7007633 | 57, 64 | 7016424 | 59 | 7019155..... | 241 | 7021218..... | 117 |
| 7007933 | 53 | 7016425 | 59 | 7019160..... | 241 | 7021219..... | 117 |
| 7007990 | 53 | 7016426 | 59 | 7019161..... | 241 | 7021220..... | 117 |
| 7010103 | 121 | 7016427 | 59 | 7019162..... | 241, 245 | 7021221..... | 117 |
| 7010104 | 121 | 7016530 | 213 | 7019164..... | 241, 245 | 7021222..... | 117 |
| 7010105 | 121 | 7016652 | 405 | 7019165..... | 241, 245 | 7021223..... | 116 |
| 7010116 | 118 | 7016654 | 405 | 7019166..... | 241 | 7021232..... | 118 |
| 7010121 | 117 | 7016655 | 405 | 7019167..... | 241, 245 | 7021249..... | 31, 33 |
| 7010122 | 117 | 7016822 ... | 105, 106, 111, 336, 337, 353 | 7019168..... | 241 | 7021256..... | 116 |
| 7010474 | 57, 64 | 7017022 | 28 | 7019171..... | 233 | 7021275..... | 31, 33 |
| 7010488 | 57 | 7017023 | 64 | 7019174..... | 233 | 7021310..... | 48 |
| 7010492 | 57, 64 | 7017027 | 27 | 7019177..... | 233 | 7021625..... | 35, 36 |
| 7010494 | 57 | 7017028 | 65 | 7019194..... | 242, 245 | 7021868..... | 101, 398 |
| 7010542 | 48 | 7017070 | 57, 64 | 7019197..... | 233 | 7022134..... | 100 |
| 7010543 | 44, 48 | 7017072 | 27, 64 | 7019656..... | 107, 112 | 7022139..... | 101 |
| 7011043 | 45 | 7017080 | 64 | 7019658..... | 123 | 7022143..... | 101 |
| 7011044 | 45 | 7017082 | 65 | 7019680.... | 161, 166, 169, 173 | 7022150..... | 101 |
| 7011062 | 45 | 7017085 | 64 | 7019925..... | 101 | 7022155..... | 101 |
| 7011063 | 45 | 7017089 | 57 | 7019976..... | 101 | 7022180..... | 101 |
| 7011064 | 45 | 7017093 | 27 | 7019977..... | 100 | 7022302..... | 31, 33 |
| 7011065 | 44 | 7017095 | 27 | 7019993..... | 101 | 7022311..... | 31, 33 |
| 7011066 | 45 | 7017142 | 211 | 7019994..... | 101 | 7022313..... | 33 |
| 7011112 ... | 286, 289, 291 | 7017144 | 211 | 7019996..... | 100 | 7022314..... | 31, 33 |
| 7011328 | 43 | 7017158 | 211 | 7020020..... | 43, 396 | 7022318..... | 31 |
| 7012513 ... | 161, 165, 169, 173 | 7017159 | 211 | 7020021..... | 44, 396 | 7022320..... | 31 |
| 7012514 ... | 161, 166, 169, 173 | 7017162 | 211 | 7020108.... | 161, 165, 169, 173 | 7022321..... | 31 |
| 7012518 | 44, 47 | 7017163 | 211 | 7020109.... | 161, 165, 169, 173 | 7022326..... | 31, 33 |
| 7012558 ... | 161, 165, 169, 173 | 7017164 | 211 | 7020110.... | 161, 166, 169, 173 | 7022328..... | 31, 33 |
| 7012664 ... | 69, 78, 90, 99, 106, 112, 396 | 7017183 | 211 | 7020111.... | 161, 166, 169, 173 | 7022368..... | 31, 33 |
| 7012679 | 100 | 7017193 | 211 | 7020175..... | 225, 230 | 7022370..... | 31 |
| 7012769 | 47 | 7017195 | 211 | 7020176..... | 225, 230 | 7022371..... | 31, 33 |
| 7012772 .. | 47, 48, 51, 396 | 7017406 | 35 | 7020190.... | 161, 166, 169, 173 | 7022372..... | 31, 33 |
| 7012773 | 47, 48, 51 | 7017410 | 47 | 7020192.... | 162, 166, 170, 173 | 7022397..... | 35, 36 |
| 7012774 | 48, 51 | 7017420 | 51 | 7020193..... | 339, 355 | 7022399..... | 35, 36 |
| 7012775 | 47, 48 | 7017421 | 51 | 7020194.... | 162, 166, 169, 173 | 7022808..... | 233, 235 |
| 7012776 | 51 | 7017422 | 51 | 7020246..... | 131, 135 | 7022812..... | 241 |
| 7012777 | 51 | 7017464 | 47 | 7020408..... | 93 | 7022814..... | 233 |
| 7012912 | 47, 48 | 7017496 | 283 | 7020411..... | 93 | 7022815..... | 233, 235 |
| 7012914 | 47 | 7018612 | 53 | 7020447..... | 93 | 7022816..... | 233 |
| 7012918 | 47 | 7018912 | 47, 48, 51 | 7020449..... | 93 | 7022817..... | 233 |
| 7012941 | 44 | 7018941 | 48 | 7020459..... | 94 | 7022818..... | 233 |
| 7012943 | 44, 396 | 7018942 | 47, 48, 51 | 7020460..... | 94 | 7022819 ... | 233, 235, 338, 353 |
| 7012944 | 44, 47, 396 | 7018945 | 51 | | | 7022822..... | 241 |
| 7012953 | 47, 51 | 7018946 | 51 | | | 7022823..... | 241 |
| 7012965 | 51 | 7018947 | 51 | | | 7022824..... | 241 |
| 7012967 | 47 | 7018948 | 51 | | | 7022825..... | 338, 353 |
| | | 7018951 | 47, 48 | | | 7023366..... | 146 |
| | | 7018986 | 47, 48 | | | 7023679..... | 337 |
| | | 7018991 | 47, 396 | | | 7023681..... | 101 |
| | | 7019103 | 241 | | | | |

PART NUMBER INDEX

| | | | | | | | |
|--------------|---------------|--------------|---------------|--------------|----------------|--------------------|------------------|
| 7023682..... | 101 | 7024530..... | 271, 273 | 7026199 ... | 161, 165, 169, | 7026820..... | 73, 82 |
| 7023683..... | 100 | 7024531..... | 271, 273 | 173 | | 7026821..... | 73, 82 |
| 7023698..... | 101 | 7024532..... | 271, 273 | 7026330..... | 45 | 7026822..... | 73, 82 |
| 7023699..... | 101 | 7024533..... | 271, 273 | 7026503..... | 128 | 7026823..... | 73 |
| 7023910..... | 31, 33 | 7024534..... | 271, 273 | 7026504..... | 128 | 7026824..... | 73 |
| 7023917..... | 36 | 7024535..... | 271, 273 | 7026505..... | 128 | 7026825..... | 73 |
| 7023933..... | 35 | 7024536..... | 271, 273 | 7026506..... | 128 | 7026826..... | 73, 83 |
| 7023935..... | 35, 36 | 7024537..... | 271, 273 | 7026507..... | 128 | 7026827..... | 73, 83 |
| 7023936..... | 35, 36 | 7024538..... | 271 | 7026508..... | 128 | 7026828..... | 73, 83 |
| 7023977..... | 116 | 7024539..... | 271 | 7026509..... | 129 | 7026829..... | 73, 83 |
| 7023979..... | 117 | 7024540..... | 271 | 7026510..... | 129 | 7026830..... | 74, 82, 398 |
| 7024014..... | 48 | 7024541..... | 271 | 7026511..... | 128 | 7026831..... | 73, 83 |
| 7024015..... | 48 | 7024560..... | 90 | 7026512..... | 129 | 7026832..... | 73, 83 |
| 7024100..... | 57, 65 | 7024565..... | 94 | 7026597 ... | 178, 185, 189 | 7026833..... | 73, 83 |
| 7024124..... | 27 | 7024579..... | 94 | 7026607..... | 94 | 7026834..... | 73 |
| 7024125..... | 27 | 7024598..... | 143 | 7026608..... | 94, 398 | 7026835..... | 73 |
| 7024127..... | 27 | 7024704..... | 64 | 7026626 ... | 178, 185, 189 | 7026836..... | 73 |
| 7024129..... | 27 | 7024721..... | 28 | 7026631..... | 93 | 7026838..... | 73 |
| 7024134..... | 28 | 7024722..... | 27 | 7026632..... | 279 | 7026839..... | 74, 82 |
| 7024379..... | 61, 65 | 7024723..... | 28 | 7026633..... | 279 | 7026840..... | 73 |
| 7024380..... | 61, 65 | 7024724..... | 27 | 7026634..... | 279 | 7026841..... | 73 |
| 7024381..... | 61, 65 | 7024725..... | 27 | 7026635..... | 279 | 7026843..... | 73 |
| 7024389..... | 61 | 7024726..... | 27 | 7026636..... | 279 | 7026882..... | 73 |
| 7024390..... | 61, 65 | 7024727..... | 27 | 7026637..... | 279 | 7026888..... | 73 |
| 7024395..... | 61 | 7024728..... | 27 | 7026638..... | 279 | 7027001..... | 71, 87, 336 |
| 7024396..... | 65 | 7024729..... | 27 | 7026639..... | 279 | 7027002..... | 71, 81, 87, 98, |
| 7024397..... | 307 | 7024730..... | 27 | 7026640..... | 279 | 336, 353 | |
| 7024398..... | 90 | 7024731..... | 27 | 7026641..... | 280 | 7027003..... | 71, 87, 98, 105, |
| 7024404..... | 128, 129 | 7024732..... | 27 | 7026642..... | 280 | 106, 111, 336, 353 | |
| 7024439..... | 124 | 7024733..... | 27 | 7026643..... | 280 | 7027004..... | 71, 87, 336, 353 |
| 7024440..... | 124 | 7024734..... | 27 | 7026644..... | 280 | 7027005..... | 98, 336 |
| 7024441..... | 124 | 7024735..... | 27 | 7026645..... | 280 | 7027006..... | 98, 336 |
| 7024442..... | 124 | 7024736..... | 27 | 7026646..... | 280 | 7027007..... | 98, 337 |
| 7024443..... | 124 | 7024737..... | 28 | 7026647..... | 280 | 7027015..... | 105, 106, 111, |
| 7024444..... | 124, 396 | 7024738..... | 27 | 7026648..... | 280 | 336, 353 | |
| 7024445..... | 124 | 7024739..... | 27 | 7026649..... | 280 | 7027016..... | 105, 106, 111 |
| 7024446..... | 124 | 7024740..... | 27 | 7026650..... | 280 | 7027017..... | 105, 106, 111, |
| 7024453..... | 61, 65 | 7024741..... | 27 | 7026651..... | 279 | 336 | |
| 7024454..... | 65 | 7024742..... | 27 | 7026652..... | 279 | 7027028..... | 81, 353 |
| 7024455..... | 65 | 7024743..... | 27 | 7026653..... | 279 | 7027029..... | 81, 353 |
| 7024456..... | 65 | 7024744..... | 28 | 7026654..... | 279 | 7027033..... | 81, 353 |
| 7024458..... | 65 | 7024763..... | 64 | 7026655..... | 279 | 7027236..... | 94 |
| 7024462..... | 263 | 7024764..... | 28 | 7026656..... | 279 | 7027239..... | 94 |
| 7024463..... | 263 | 7024765..... | 28 | 7026658..... | 280 | 7027246..... | 93 |
| 7024467..... | 263 | 7024766..... | 28 | 7026659..... | 279 | 7027400..... | 101 |
| 7024469..... | 263 | 7024784..... | 65 | 7026660..... | 279 | 7027402..... | 101 |
| 7024470..... | 263 | 7024800..... | 117 | 7026661..... | 279 | 7027403..... | 337 |
| 7024471..... | 263, 273 | 7024851..... | 117 | 7026800..... | 72, 82 | 7027404..... | 100 |
| 7024472..... | 263 | 7024853..... | 31, 33 | 7026801..... | 73, 82 | 7027405..... | 101 |
| 7024473..... | 263 | 7024861..... | 31 | 7026802..... | 72, 82 | 7027409..... | 101 |
| 7024474..... | 263 | 7024862..... | 31, 33 | 7026803..... | 72, 82 | 7027410..... | 101 |
| 7024475..... | 263 | 7024863..... | 31 | 7026804..... | 72, 82 | 7027412..... | 69, 79 |
| 7024478..... | 263 | 7024864..... | 31 | 7026805..... | 72, 82 | 7027413..... | 101 |
| 7024485..... | 178, 185, 189 | 7024865..... | 31, 33 | 7026806..... | 72, 82 | 7027419..... | 31, 33 |
| 7024488..... | 180, 185, 189 | 7024866..... | 31 | 7026807..... | 72, 82 | 7027608..... | 93 |
| 7024489..... | 180, 185, 189 | 7024867..... | 31, 33 | 7026808..... | 72, 83 | 7027609..... | 93 |
| 7024519..... | 271 | 7024868..... | 31 | 7026809..... | 72, 83 | 7027610..... | 93 |
| 7024520..... | 271 | 7024869..... | 31 | 7026810..... | 72, 82 | 7027740..... | 33 |
| 7024521..... | 271 | 7024871..... | 31, 33 | 7026811..... | 72, 82, 398 | 7027773..... | 263 |
| 7024522..... | 271 | 7024874..... | 116 | 7026812..... | 72, 82 | 7027774..... | 263 |
| 7024523..... | 271 | 7024875..... | 116 | 7026813..... | 72, 82 | 7027775..... | 263 |
| 7024524..... | 271 | 7024877..... | 117 | 7026814..... | 73, 82 | 7027776..... | 263 |
| 7024525..... | 271 | 7024879..... | 283 | 7026815..... | 73, 82 | 7027777..... | 263 |
| 7024526..... | 271 | 7024892..... | 35, 36 | 7026816..... | 72, 82 | 7027778..... | 263 |
| 7024527..... | 271 | 7026188 ... | 178, 185, 189 | 7026817..... | 72, 82 | 7027779..... | 263 |
| 7024528..... | 271 | 7026189..... | 128, 129 | 7026818..... | 72 | 7027780..... | 263 |
| 7024529..... | 271 | 7026197..... | 128 | 7026819..... | 72, 82 | 7027781..... | 277 |

PART NUMBER INDEX

| | | | | | | | |
|---------------|--------------|----------------|----------------|---------------|--------|--------------------------|----------|
| 7027782 | 277 | 7027799 | 178, 185, 189 | 80424002..... | 64 | 8406105 | 81 |
| 7027783 | 277 | 7027887 ... | 162, 166, 170, | 80934561..... | 128 | 8406109 | 82 |
| 7027784 | 277 | 174 | | 8229242..... | 352 | 8852120569, 79, 87, 105, | |
| 7027790 | 94 | 7027965 | 106, 111, 398 | 8303541..... | 81 | 111 | |
| 7027791 | 94 | 7027972 | 106, 111, 398 | 8310129..... | 255 | 8896941 | 405 |
| 7027792 | 94 | 7027989 | 337 | 8310230..... | 255 | 90206194 | 156 |
| 7027793 | 94, 337, 353 | 7027991 | 337 | 83304150..... | 61 | 91083218 | 100, 398 |
| 7027794 | 94, 337 | 7027994 | 106 | 8405009..... | 68, 79 | 9140128168, 79, 87, 104, | |
| 7027795 | 94, 398 | 7027996 | 106 | 8405104..... | 68, 79 | 111 | |
| 7027796 | 94, 337, 353 | 77143013 | 136 | 8406009..... | 81 | | |



3121207



An Oshkosh Corporation Company

JLG Industries, Inc.
1 JLG Drive
McConnellsburg PA. 17233-9533
USA
Phone: +1-717-485-5161
Customer Support Toll Free: 1-877-554-5438
Fax: +1-717-485-6417

JLG Worldwide Locations

JLG Industries (Australia)
P.O. Box 5119
11 Bolwarra Road
Port Macquarie
N.S.W. 2444
Australia
Phone: +61 2 65811111
Fax: +61 2 65813058

JLG Latino Americana Ltd.
Rua Antonia Martins Luiz, 580
Distrito Industrial João Narezzi
13347-404 Indaiatuba - SP
Brazil
Phone: +55 19 3936 8870
Fax: +55 19 3935 2312

JLG Industries (UK) Ltd
Bentley House
Bentley Avenue
Middleton
Greater Manchester
M24 2GP
England
Phone: +44 (0)161 654 1000
Fax: +44 (0)161 654 1001

JLG France SAS
Z.I. de Baulieu
47400 Fauillet
France
Phone: +33 (0)5 53 88 31 70
Fax: +33 (0)5 53 88 31 79

JLG Deutschland GmbH
Max-Planck-Str. 21
D - 27721 Ritterhude-Ihlpohl
Germany
Phone: +49 (0)421 69 350 20
Fax: +49 (0)421 69 350 45

JLG Equipment Services Ltd.
Rm 1107 Landmark North
39 Lung Sum Avenue
Sheung Shui N.T.
Hong Kong
Phone: +852 2639 5783
Fax: +852 2639 5797

JLG Industries (Italia) s.r.l.
Via Po, 22
20010 Pregnana Milanese - MI
Italy
Phone: +39 029 359 5210
Fax: +39 029 359 5845

JLG Europe B.V.
Polaris Avenue 63
2132 JH Hoofddorp
The Netherlands
Phone: +31 (0)23 565 5665
Fax: +31 (0)23 557 2493

JLG Polska
Ul. Krolewska
00-060 Warszawa
Poland
Phone: +48 (0)914 320 245
Fax: +48 (0)914 358 200

Plataformas Elevadoras
JLG Iberica, S.L.
Trapadella, 2
P.I. Castellbisbal Sur
08755Castellbisbal, Barcelona
Spain
Phone: +34 93 772 4 700
Fax: +34 93 771 1762

JLG Sverige AB
Enkopingsvagen 150
Box 704
SE - 176 27 Jarfalla
Sweden
Phone: +46 (0)850 659 500
Fax: +46 (0)850 659 534

www.jlg.com